

US00D826879S

(12) **United States Design Patent** (10) **Patent No.:** **US D826,879 S**
Sitoh et al. (45) **Date of Patent:** **** Aug. 28, 2018**

(54) **DISPLAY DEVICE**

- (71) Applicant: **Dell Products L.P.**, Round Rock, TX (US)
- (72) Inventors: **Alvin Sitoh**, Singapore (SG); **Toshiyuki Tanaka**, Mendham, NJ (US); **Tiak Hooy Sim**, Singapore (SG)
- (73) Assignee: **Dell Products L.P.**, Round Rock, TX (US)
- (**) Term: **15 Years**
- (21) Appl. No.: **29/609,301**
- (22) Filed: **Jun. 29, 2017**
- (51) **LOC (11) Cl.** **14-03**
- (52) **U.S. Cl.**
USPC **D14/126**
- (58) **Field of Classification Search**
USPC D14/125-134, 239, 371, 136, 374-377, D14/440, 450, 448, 336, 342, 159; 312/7.2; 348/836, 838, 180, 184, 325, 348/739; 248/917-924, 465; 345/104, 345/133, 156, 168, 87, 173; D21/329, D21/515, 577, 622, 333, 433, 448, 452, D21/450, 331, 505; D10/15, 26; 446/484, 175, 356; D6/477, 479, 300; D24/185; D34/14
CPC ... G06F 1/1601; G06F 1/1643; H05K 5/0004; H05K 5/0017; H05K 5/02; H05K 5/0217
See application file for complete search history.

(56) **References Cited**

U.S. PATENT DOCUMENTS

8,201,791 B2 *	6/2012	Zhang	F16M 11/105 248/278.1
D703,631 S *	4/2014	Hallar	D14/126
D710,321 S *	8/2014	Ray	D14/126
D742,375 S *	11/2015	Kang	D14/126
D760,723 S *	7/2016	Won	D14/447

* cited by examiner

Primary Examiner — Randall H Gholson

(74) *Attorney, Agent, or Firm* — Terrile, Cannatti, Chambers & Holland, LLP; Stephen A. Terrile

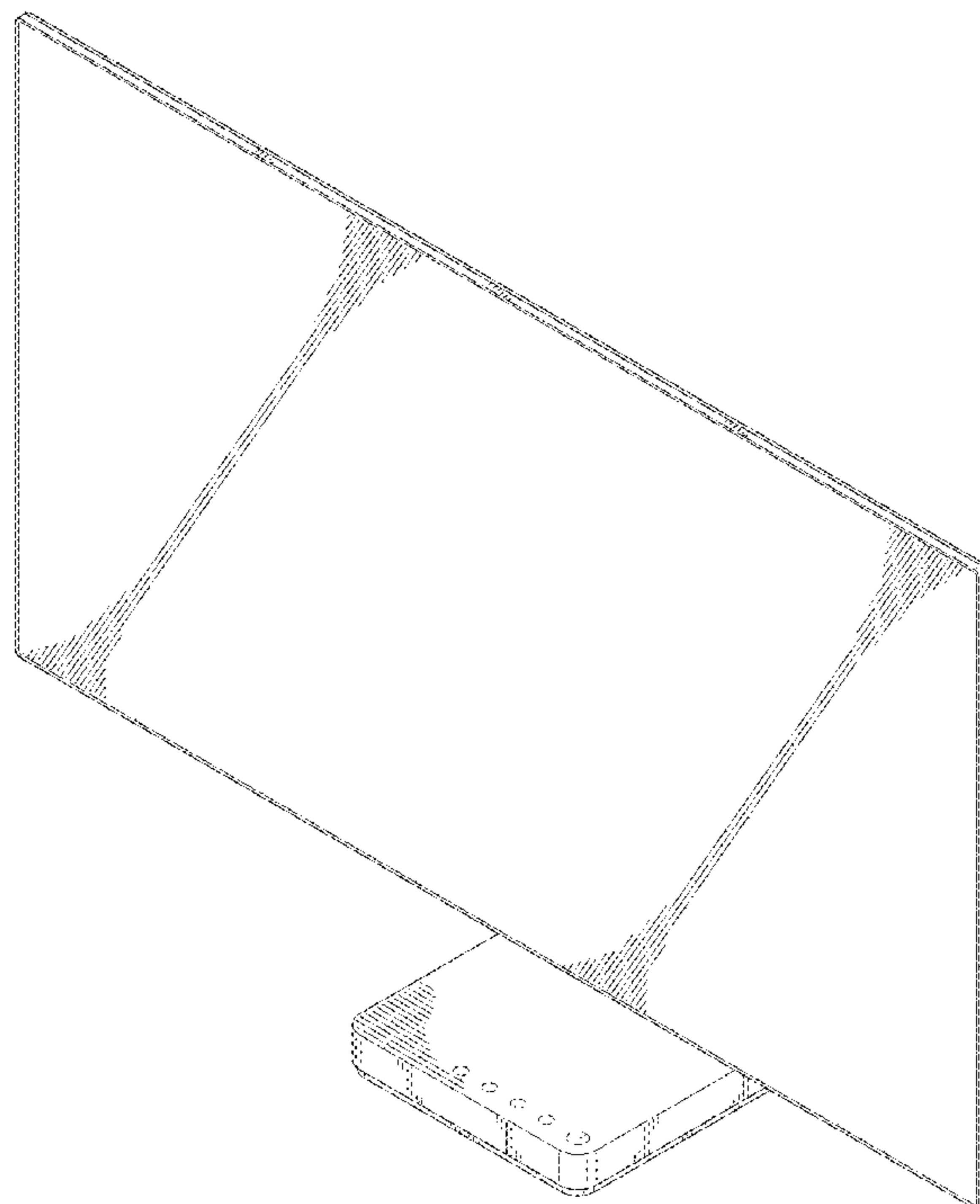
(57) **CLAIM**

We claim the ornamental design for a display device, as shown and described.

DESCRIPTION

FIG. 1 is a front perspective view of the display device comprising the present invention;
 FIG. 2 is a front elevation view thereof;
 FIG. 3 is a rear elevation view thereof;
 FIG. 4 is a right side view thereof;
 FIG. 5 is a left side view thereof;
 FIG. 6 is a top view thereof;
 FIG. 7 is a bottom view thereof; and,
 FIG. 8 is a rear perspective view thereof.
 Broken lines shown in the drawings illustrate portions of the display device, and form no part of the claimed design.

1 Claim, 6 Drawing Sheets



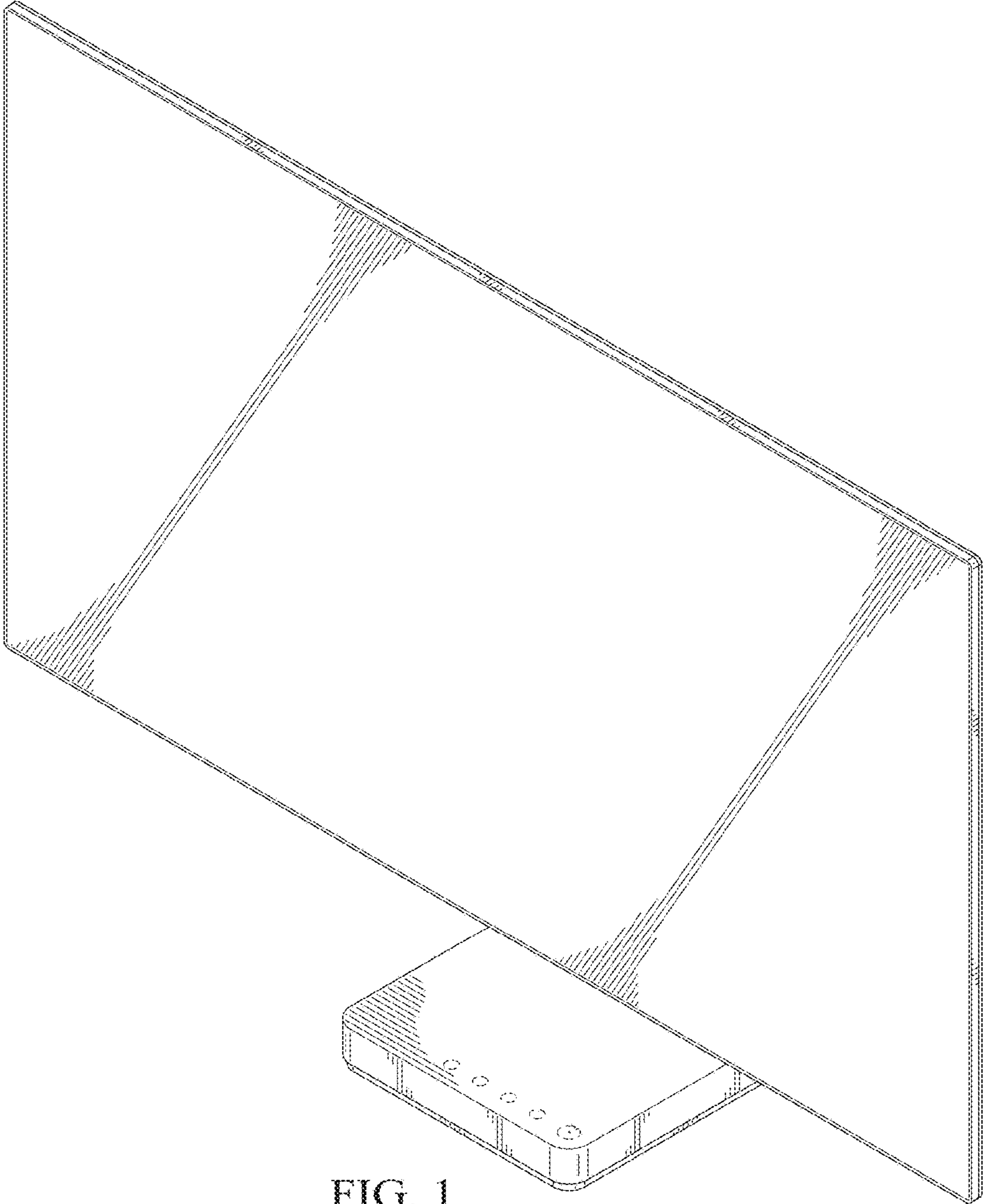


FIG. 1

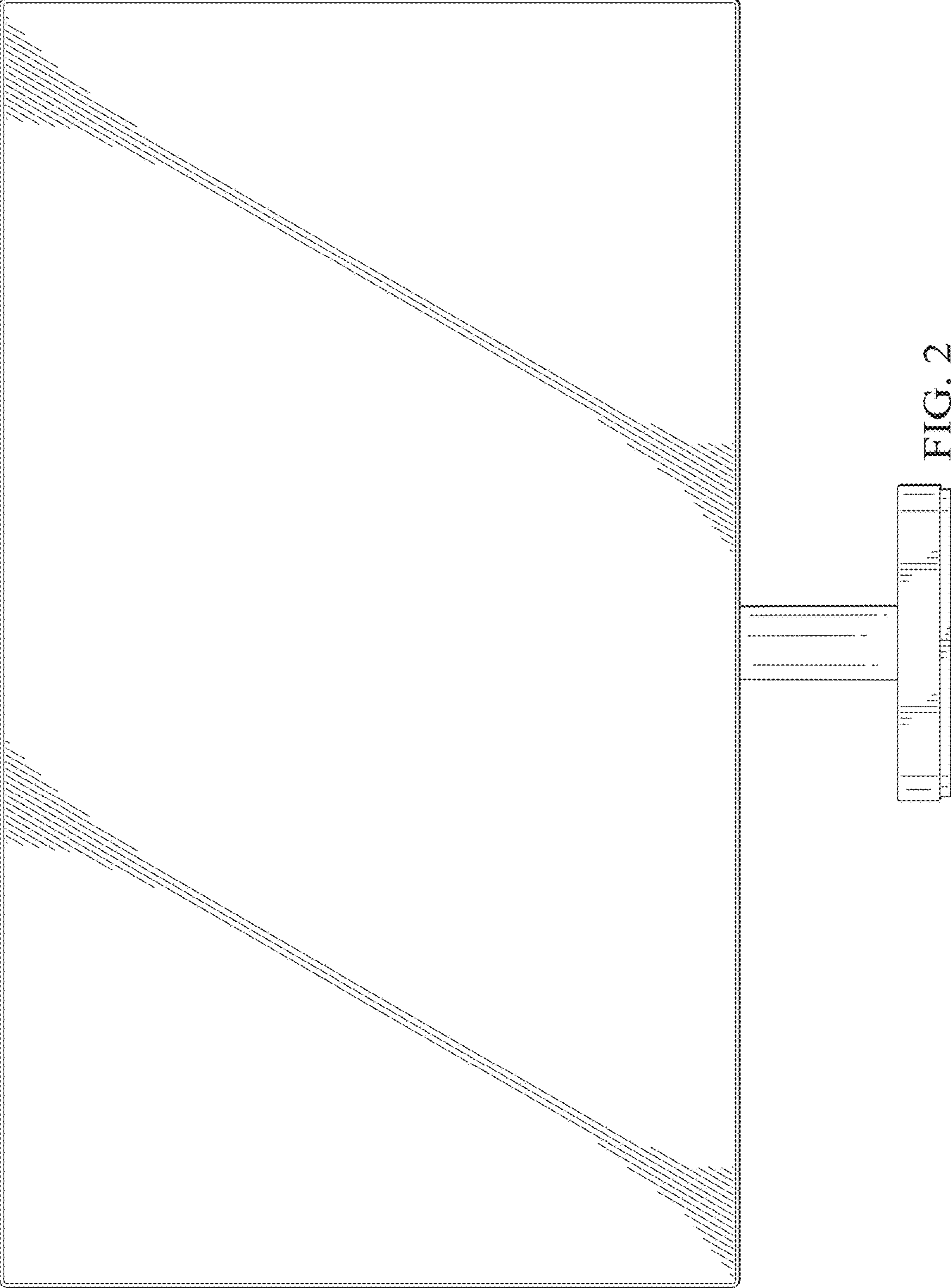


FIG. 2

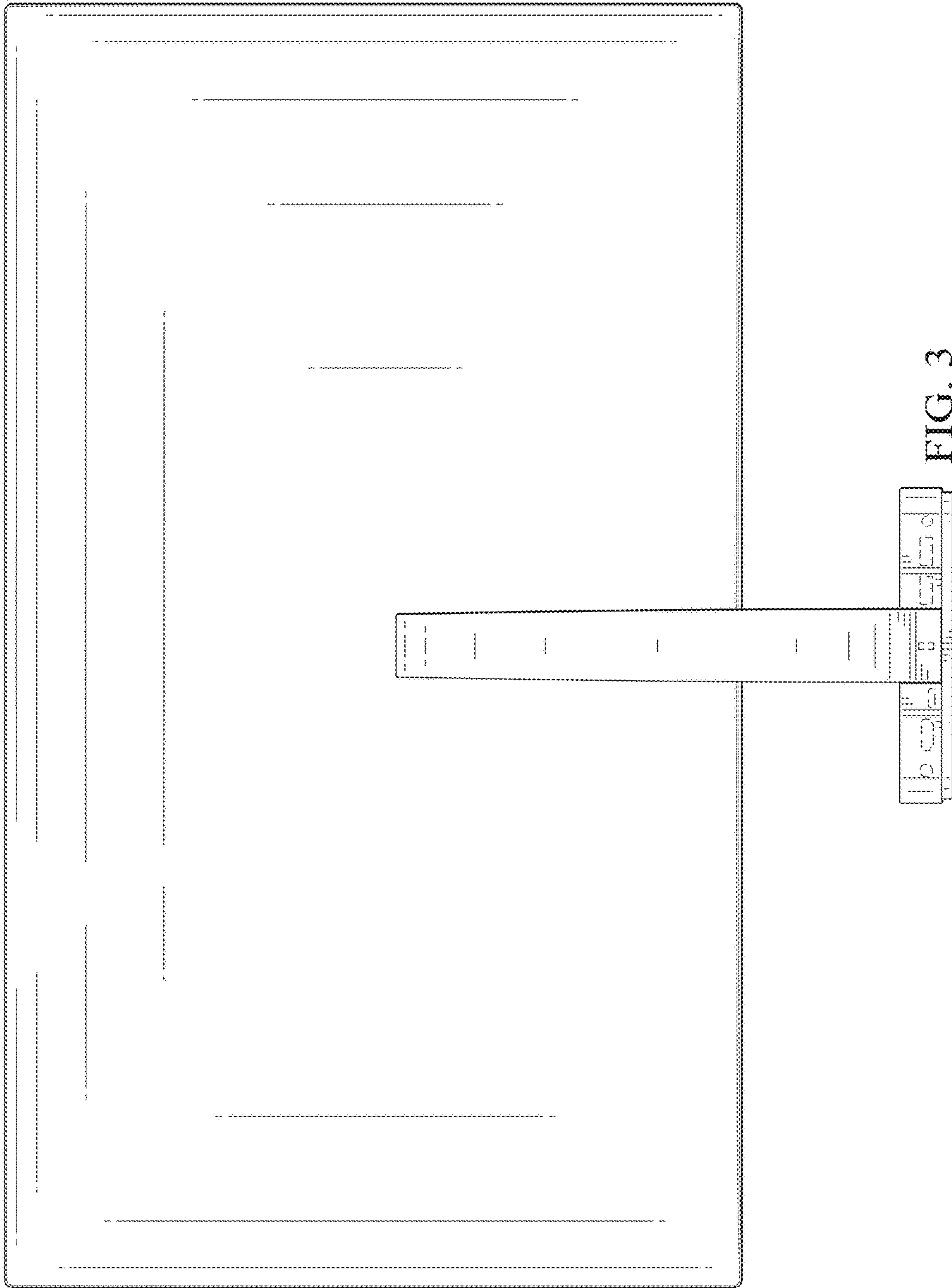


FIG. 3

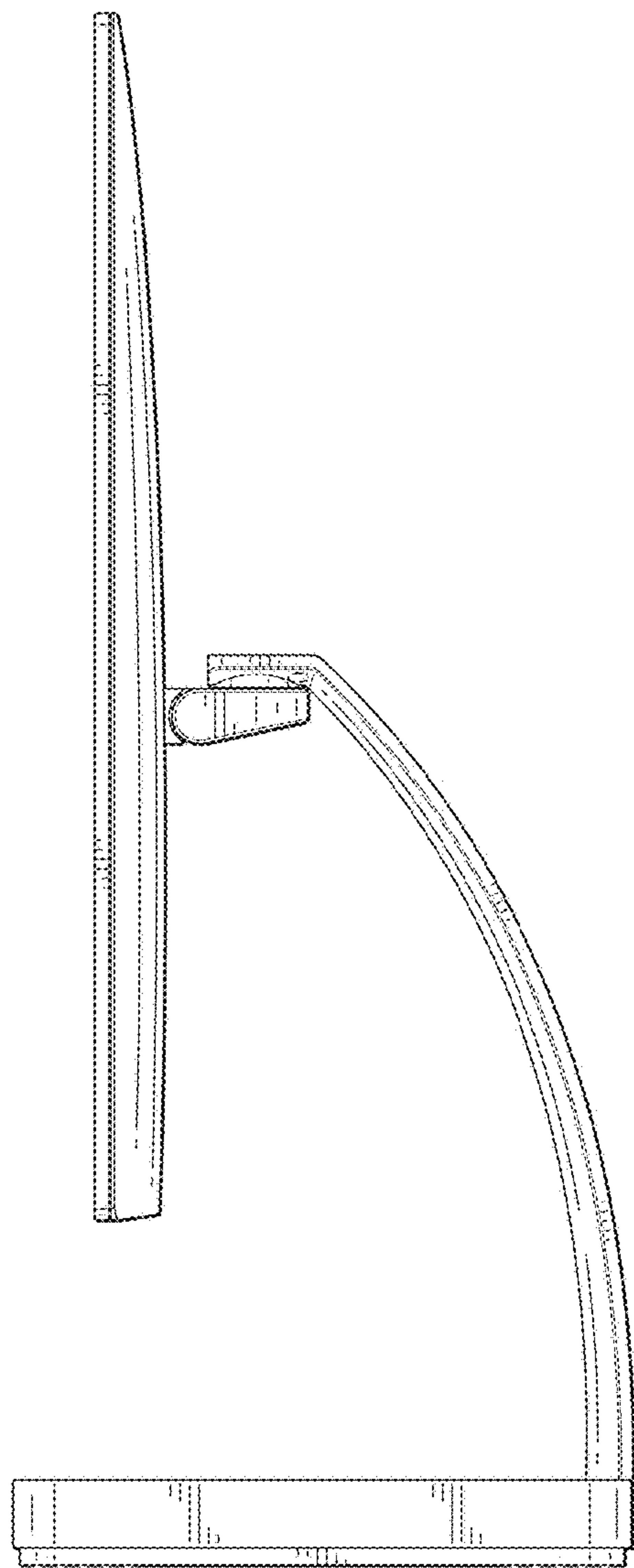


FIG. 4

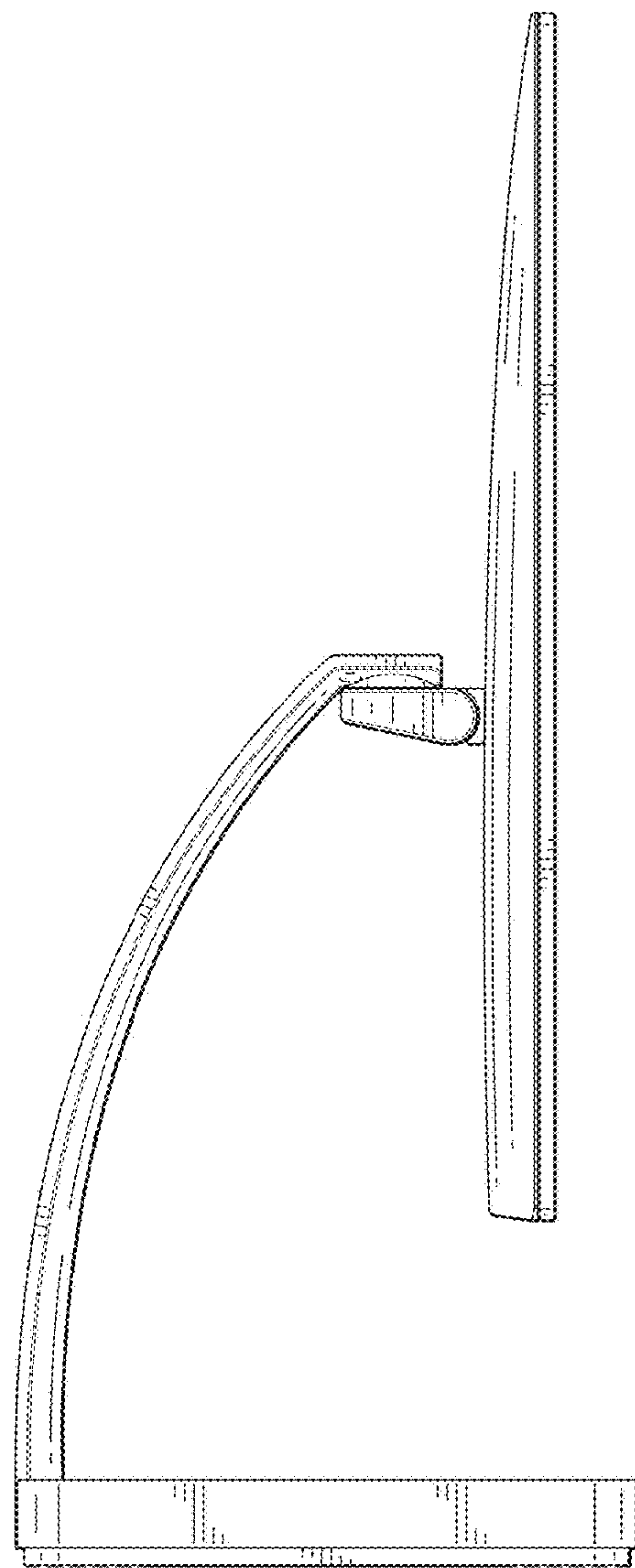


FIG. 5

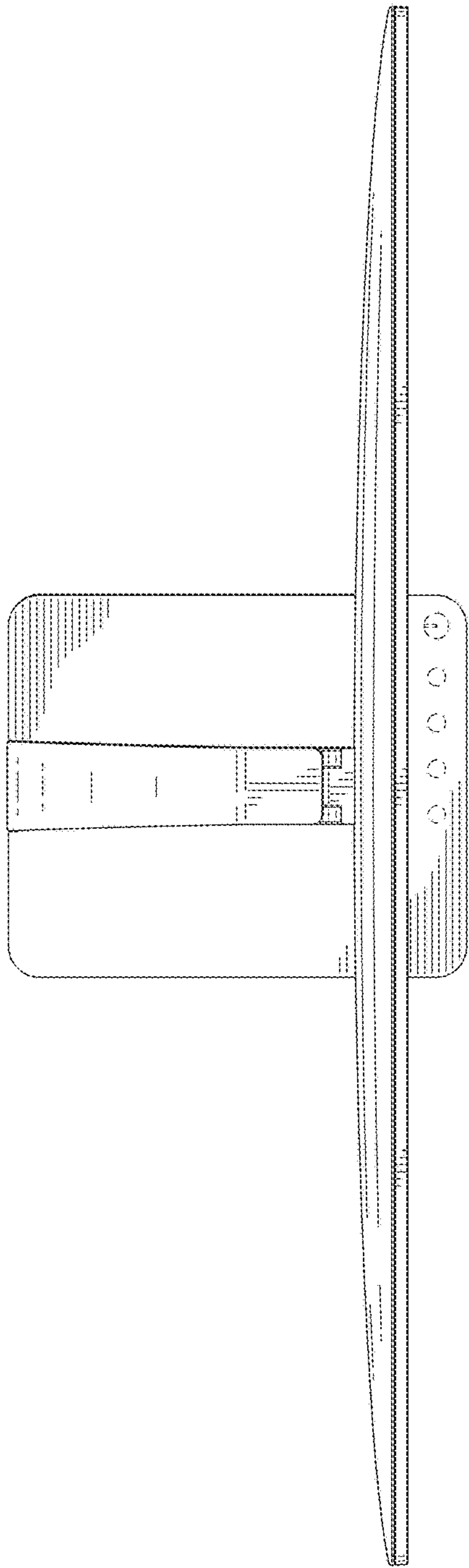


FIG. 6

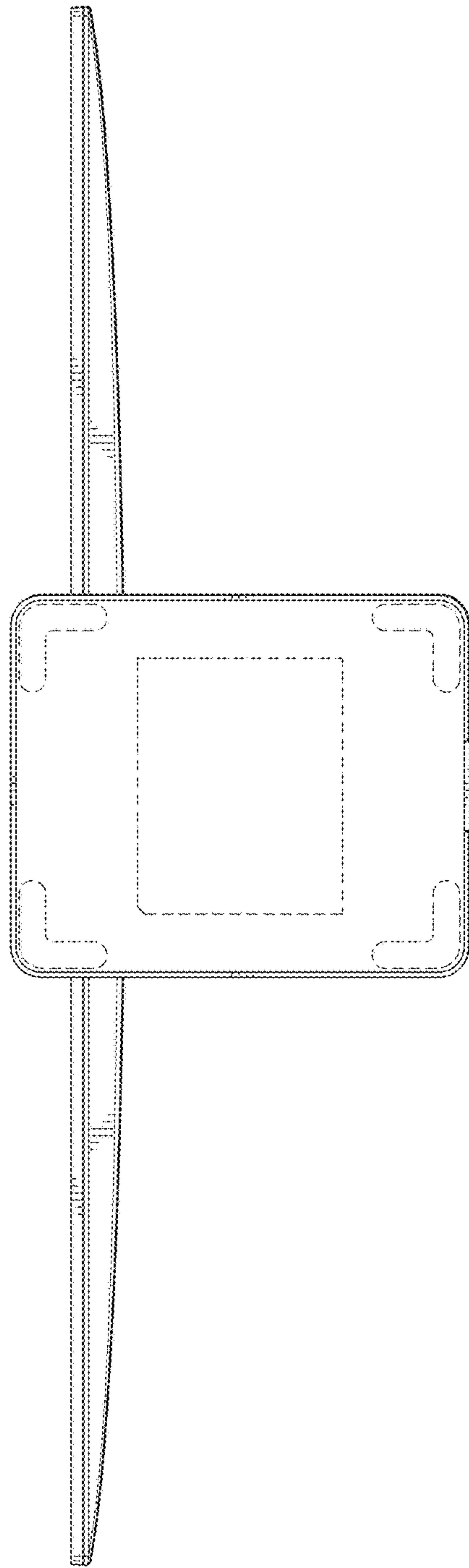


FIG. 7

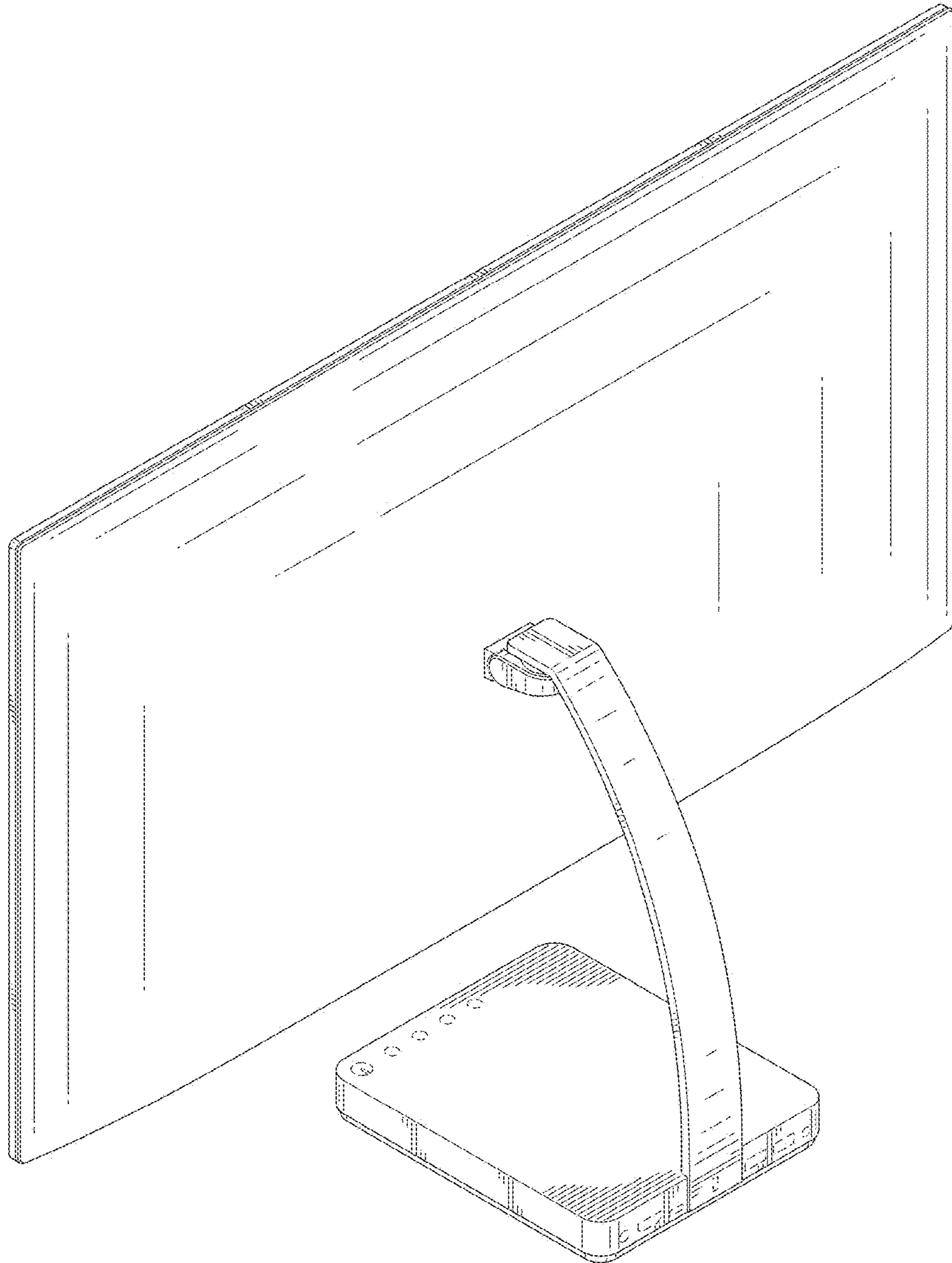


FIG. 8