



US00D826878S

(12) **United States Design Patent** (10) **Patent No.:** **US D826,878 S**
Kim (45) **Date of Patent:** **** Aug. 28, 2018**

(54) **TELEVISION**
(71) Applicant: **Samsung Electronics Co., Ltd.**,
Suwon-si (KR)
(72) Inventor: **Hee-Bong Kim**, Gimpo-si (KR)
(73) Assignee: **Samsung Electronics Co., Ltd.**,
Suwon-si (KR)

D735,728 S * 8/2015 Kim D14/451
D738,378 S * 9/2015 Kim D14/451
D740,294 S * 10/2015 Kim D14/451
D744,970 S * 12/2015 Kim D14/126
D752,535 S * 3/2016 Kim D14/126
D759,636 S * 6/2016 Lee D14/239
D761,221 S * 7/2016 Kim D14/126

(**) Term: **15 Years**
(21) Appl. No.: **29/608,899**
(22) Filed: **Jun. 27, 2017**

FOREIGN PATENT DOCUMENTS

CN 2014303766738 4/2015
KR 30-2012-0060015 2/2014
KR 30-2013-0027725 3/2014

(30) **Foreign Application Priority Data**

* cited by examiner

Jan. 4, 2017 (KR) 30-2017-0000532

Primary Examiner — Randall H Gholson
(74) *Attorney, Agent, or Firm* — NSIP Law

(51) **LOC (11) Cl.** **14-03**

(57) **CLAIM**

(52) **U.S. Cl.**
USPC **D14/126**

I claim the ornamental design for a television, as shown and described.

(58) **Field of Classification Search**

DESCRIPTION

USPC D14/125-134, 239, 371, 136, 374-377,
D14/440, 450, 448, 336, 342, 159;
312/7.2; 348/836, 838, 180, 184, 325,
348/739; 248/917-924, 465; 345/104,
345/133, 156, 168, 87, 173; D21/329,
D21/515, 577, 622, 333, 433, 448, 452,
D21/450, 331, 505; D10/15, 26;
446/484, 175, 356; D6/477, 479, 300;
D24/185; D34/14
CPC ... G06F 1/1601; G06F 1/1643; H05K 5/0004;
H05K 5/0017; H05K 5/02; H05K 5/0217
See application file for complete search history.

FIG. 1 is a front perspective view of a television showing our new design;
FIG. 2 is a front elevational view thereof;
FIG. 3 is a rear elevational view thereof;
FIG. 4 is a left-side elevational view thereof;
FIG. 5 is a right-side elevational view thereof;
FIG. 6 is a top plan view thereof;
FIG. 7 is a bottom plan view thereof; and,
FIG. 8 is a rear perspective view thereof.
The broken lines in the figures depict environmental subject matter and form no part of the claimed design.

(56) **References Cited**

U.S. PATENT DOCUMENTS

D699,205 S * 2/2014 Kim D14/126
D699,231 S * 2/2014 Kim D14/239

1 Claim, 8 Drawing Sheets

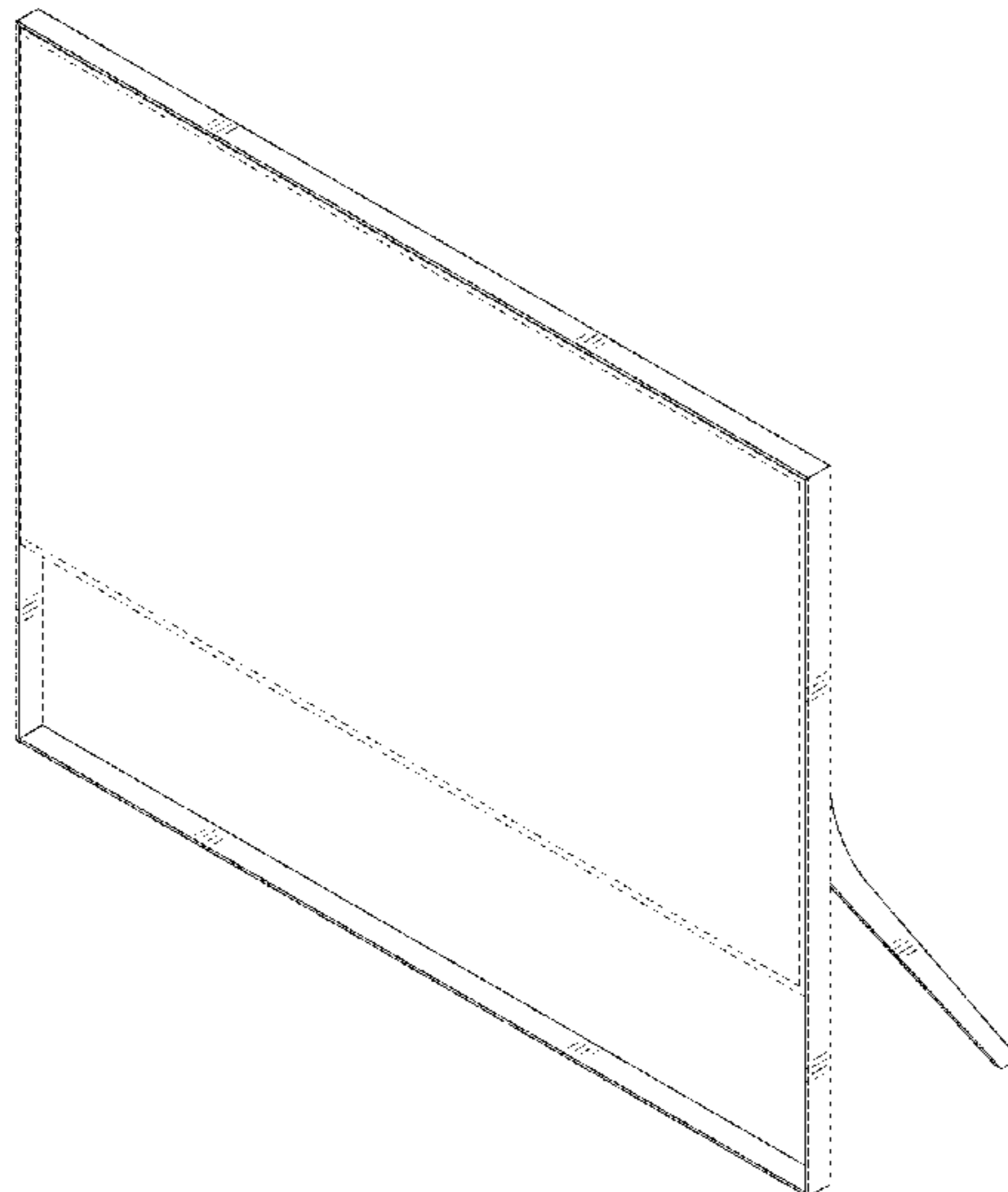


FIG. 1

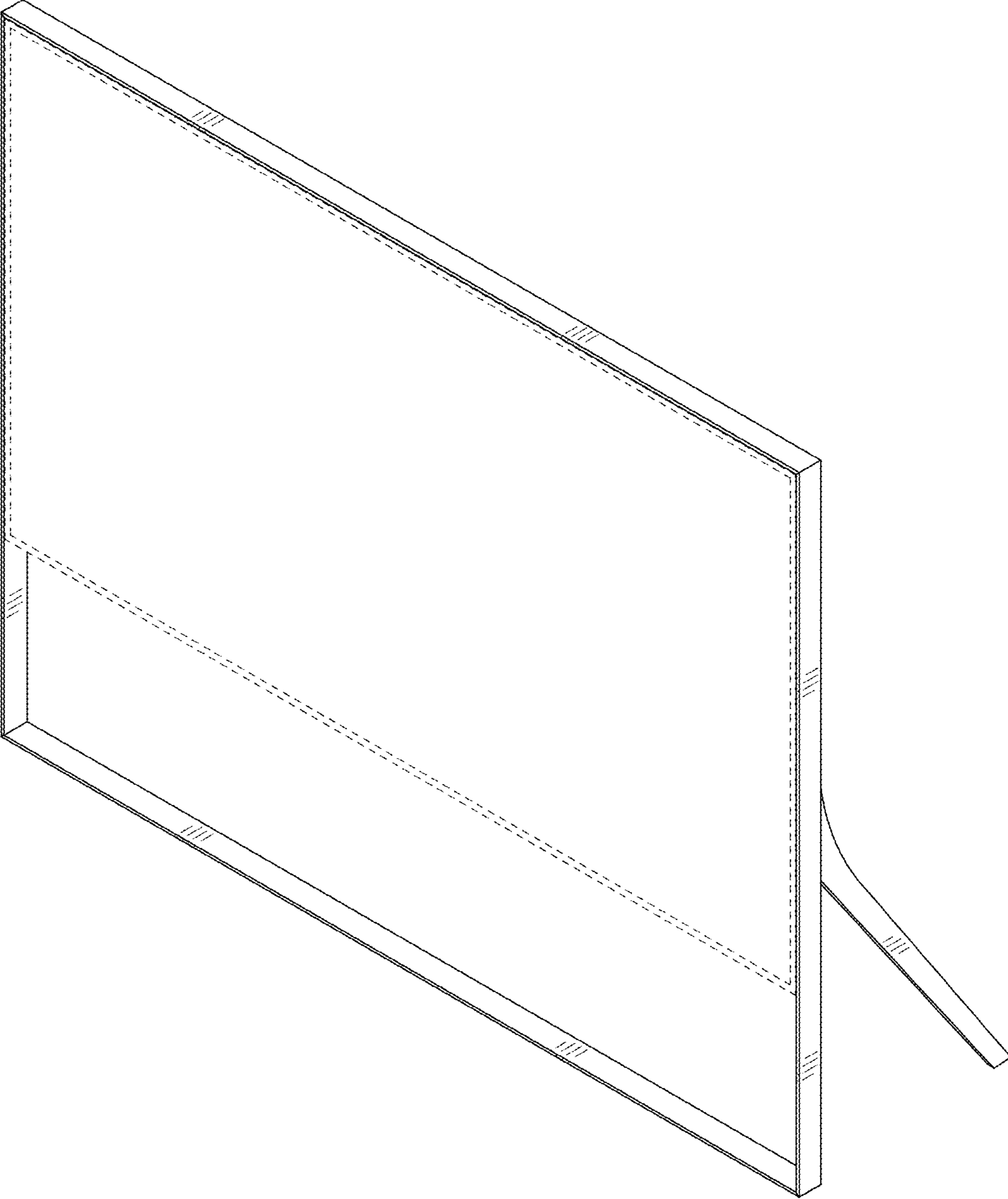


FIG. 2



FIG. 3



FIG. 4

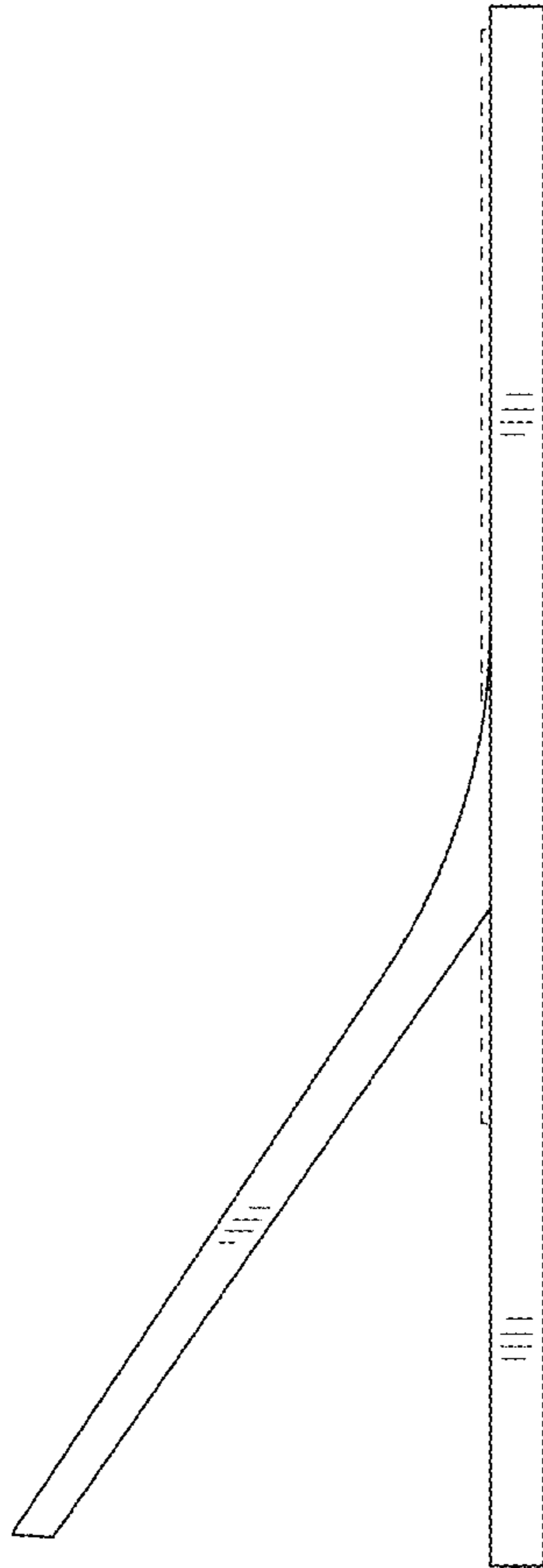


FIG. 5

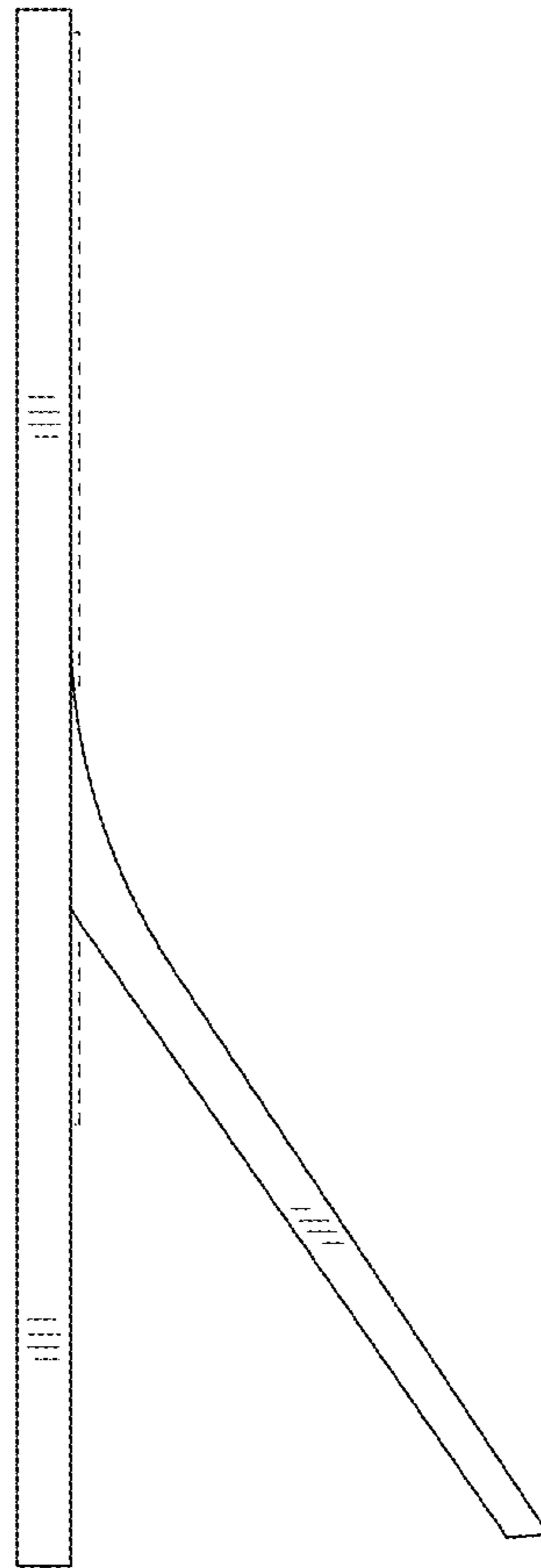


FIG. 6

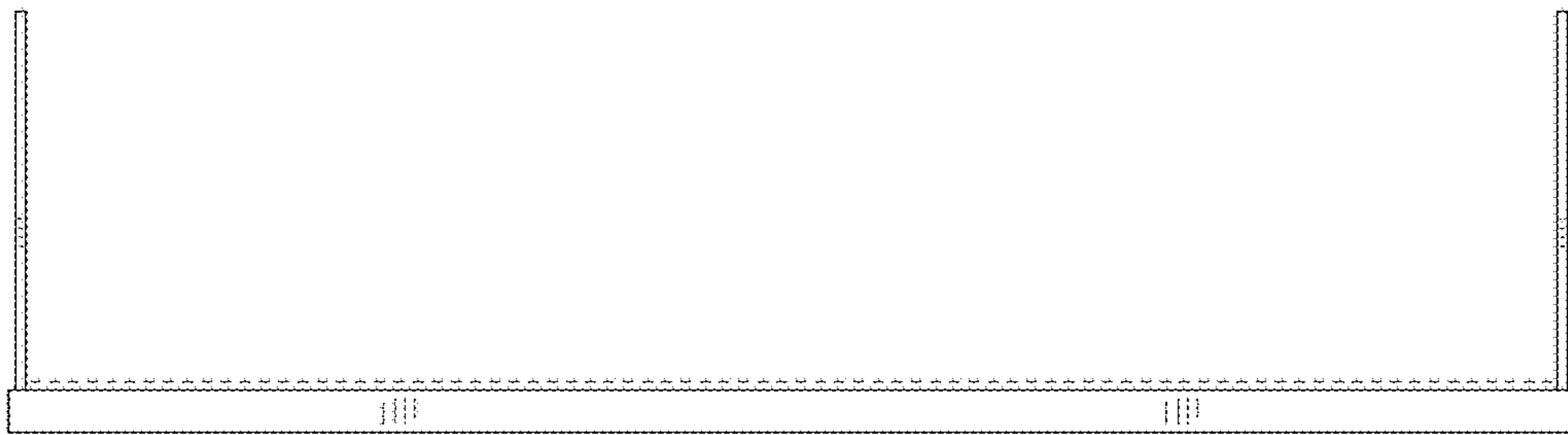


FIG. 7

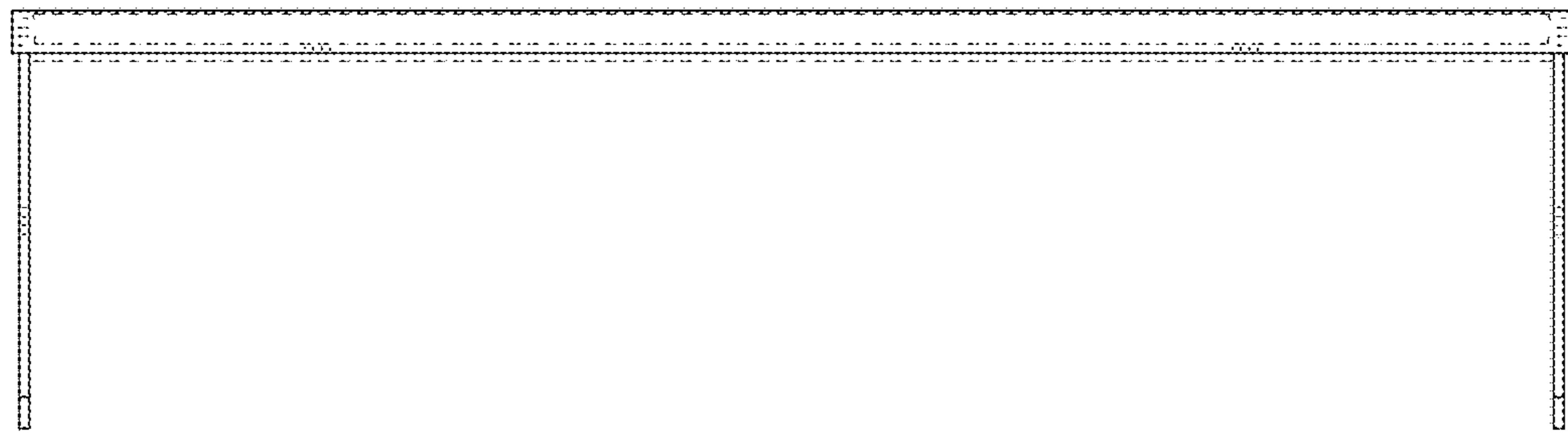


FIG. 8

