



US00D826877S

(12) **United States Design Patent** (10) **Patent No.:** **US D826,877 S**  
**Kim et al.** (45) **Date of Patent:** **\*\* Aug. 28, 2018**

(54) **AUDIO VISUAL BOX FOR A TELEVISION RECEIVER**

(56) **References Cited**

U.S. PATENT DOCUMENTS

(71) Applicant: **LG ELECTRONICS INC.**, Seoul (KR)  
(72) Inventors: **Yooseok Kim**, Seoul (KR); **Sunha Park**, Seoul (KR); **Younsoo Kim**, Seoul (KR); **Byungmu Huh**, Seoul (KR)  
(73) Assignee: **LG ELECTRONICS INC.**, Seoul (KR)  
(\*\*) Term: **15 Years**

D578,997 S *	10/2008	Takuma	.....	D14/172
D672,749 S *	12/2012	Onoue	.....	D14/214
D676,829 S *	2/2013	Kaneko	.....	D14/204
D685,349 S *	7/2013	Ohno	.....	D14/221
D721,352 S *	1/2015	Kusano	.....	D14/204
D754,629 S *	4/2016	Kim	.....	D14/204
D759,624 S *	6/2016	Byrd	.....	D14/204
D759,629 S *	6/2016	Kusano	.....	D14/214
D760,685 S *	7/2016	Sugiura	.....	D14/204
D765,054 S *	8/2016	Bast	.....	D14/204
D782,444 S *	3/2017	Koo	.....	D14/214
D788,062 S *	5/2017	Norrell	.....	D13/139.4
D815,609 S *	4/2018	Moreno	.....	D14/125

\* cited by examiner

*Primary Examiner* — Michael Aaron Pratt

(74) *Attorney, Agent, or Firm* — Birch, Stewart, Kolasch & Birch, LLP

(21) Appl. No.: **35/503,155**

(22) Filed: **Dec. 12, 2016**

(80) **Hague Agreement Data**

Int. Filing Date: **Dec. 12, 2016**  
Int. Reg. No.: **DM/093972**  
Int. Reg. Date: **Dec. 12, 2016**  
Int. Reg. Pub. Date: **Jun. 16, 2017**

(57) **CLAIM**

The ornamental design for audio visual box for a television receiver, as shown and described.

**DESCRIPTION**

1. Audio visual box for a television receiver

1.1 : Perspective

1.2 : Front

1.3 : Back

1.4 : Left

1.5 : Right

1.6 : Top

1.7 : Bottom

The gist of the present ornamental design is a combination of shape and pattern of “audio visual box for a television receiver” as shown and described.

(30) **Foreign Application Priority Data**

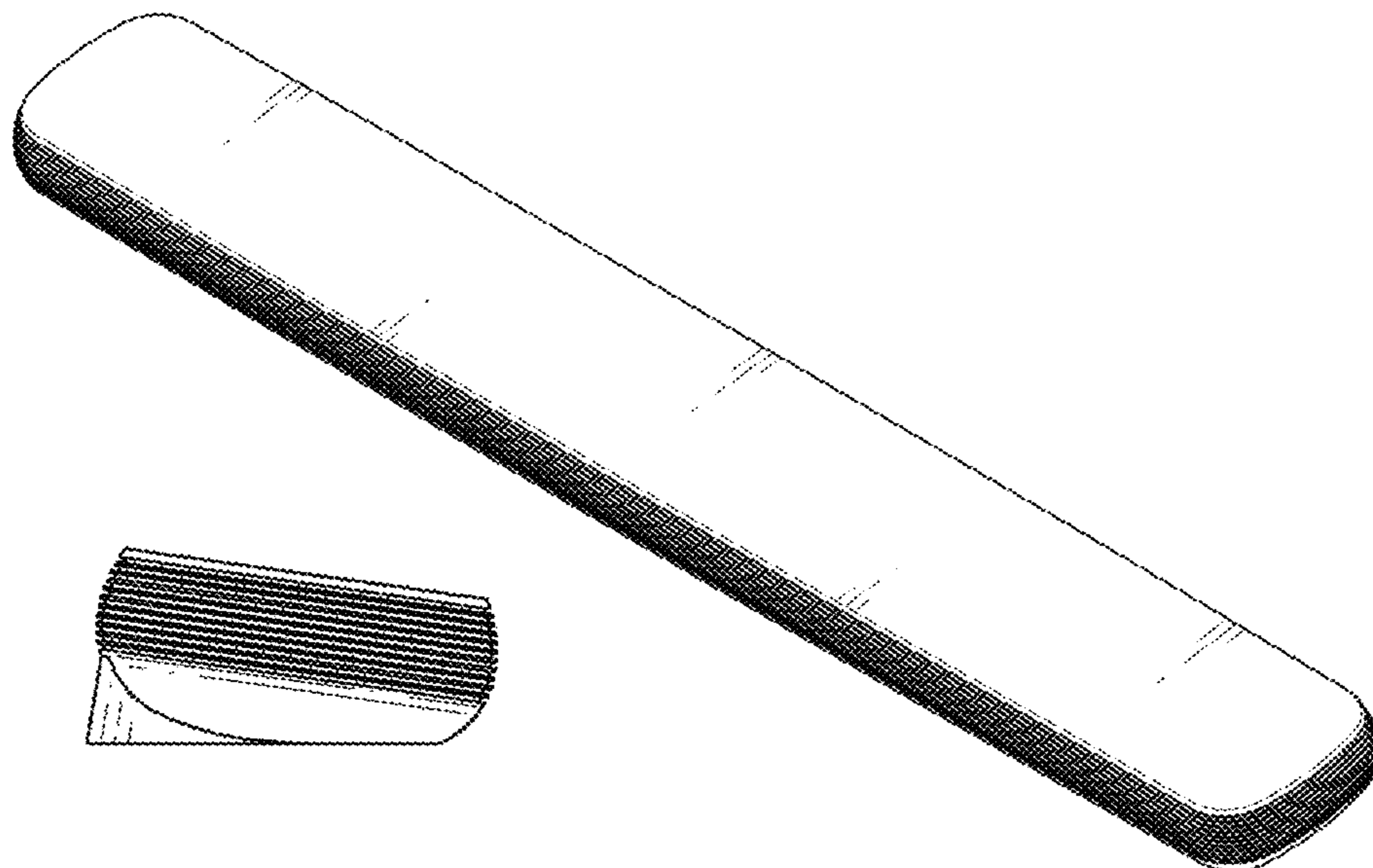
Jun. 14, 2016 (KR) ..... 30-2016-0028731

(51) **LOC (11) Cl.** ..... **14-03**

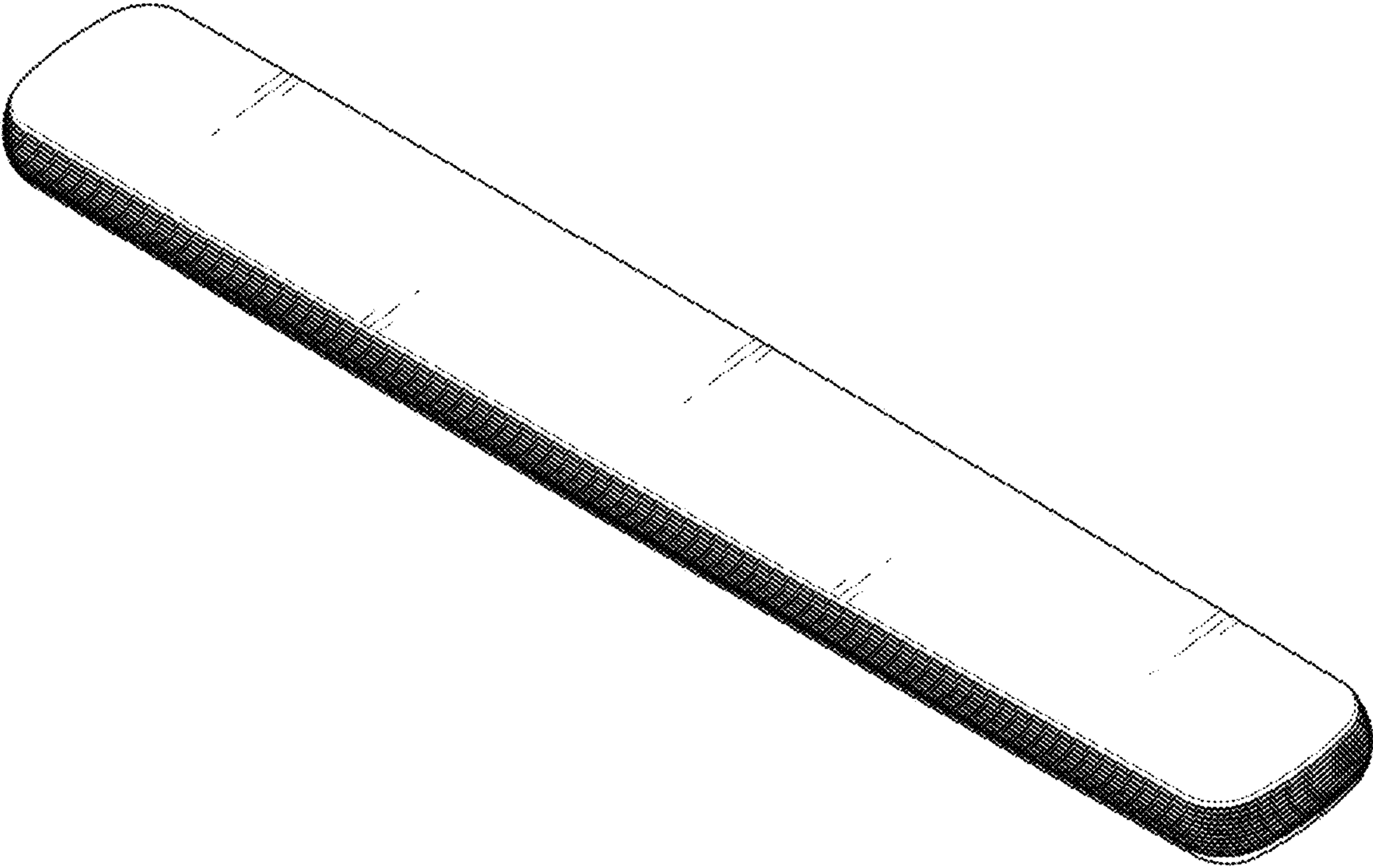
(52) **U.S. Cl.**  
USPC ..... **D14/125**

(58) **Field of Classification Search**  
USPC ..... D14/125, 172, 194, 357–358, 496, 188, D14/204, 221, 242, 432; D13/184  
CPC ..... H05K 5/02; H05K 5/03; G06F 1/16  
See application file for complete search history.

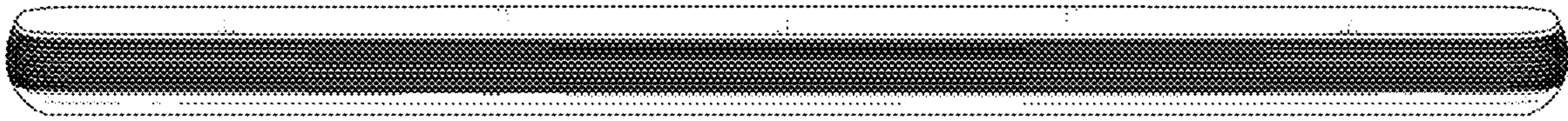
**1 Claim, 7 Drawing Sheets**



1.1



1.2



1.3



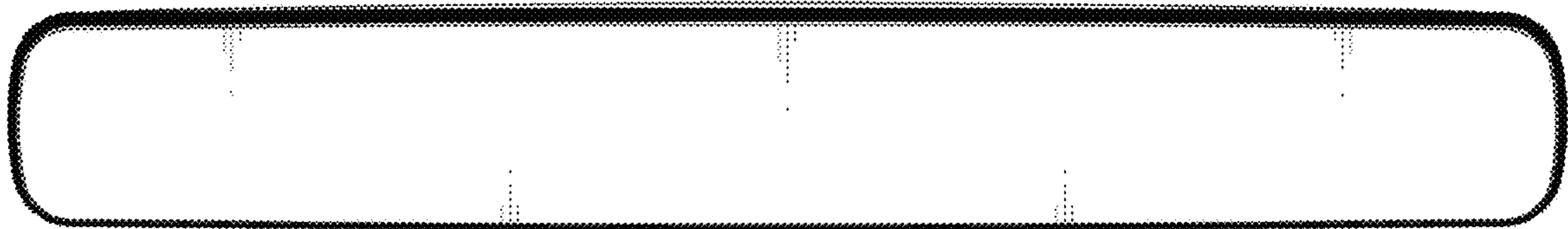
1.4



1.5



1.6



1.7

