



US00D826876S

(12) **United States Design Patent** (10) **Patent No.:** **US D826,876 S**
Kim et al. (45) **Date of Patent:** **** Aug. 28, 2018**

(54) **AUDIOVISUAL BOX FOR TV RECEIVER**

(56) **References Cited**

(71) Applicant: **LG ELECTRONICS INC.**, Seoul (KR)

U.S. PATENT DOCUMENTS

(72) Inventors: **Yooseok Kim**, Seoul (KR); **Jongyoun Shin**, Seoul (KR); **Sunha Park**, Seoul (KR); **Younsoo Kim**, Seoul (KR); **Byungmu Huh**, Seoul (KR)

D415,768	S	*	10/1999	Howell	D14/239
D491,952	S	*	6/2004	Oddsens	D14/447
D547,755	S	*	7/2007	Wang	D14/239
7,424,991	B2	*	9/2008	Kim	F16C 11/0619 248/121
D581,681	S	*	12/2008	Goolrick	D6/314
D599,755	S	*	9/2009	Jin	D14/126
D606,547	S	*	12/2009	Kamata	D14/447
7,644,897	B2	*	1/2010	Shin	F16M 11/105 248/176.1
D619,569	S	*	7/2010	Honchell	D14/239
D638,022	S	*	5/2011	Kasuga	D14/239
D681,647	S	*	5/2013	Choi	D14/451
D723,526	S	*	3/2015	Yoo	D14/239
D758,375	S	*	6/2016	Won	D14/451
D759,002	S	*	6/2016	Won	D14/239

(73) Assignee: **LG ELECTRONICS INC.**, Seoul (KR)

(**) Term: **15 Years**

(21) Appl. No.: **35/501,850**

(22) Filed: **May 11, 2016**

(80) **Hague Agreement Data**

Int. Filing Date: **May 11, 2016**
Int. Reg. No.: **DM/091173**
Int. Reg. Date: **May 11, 2016**
Int. Reg. Pub. Date: **Nov. 11, 2016**

(Continued)

Primary Examiner — Mary Ann Calabrese

Assistant Examiner — Jennifer L Rempfer

(74) *Attorney, Agent, or Firm* — Birch, Stewart, Kolasch & Birch, LLP

(30) **Foreign Application Priority Data**

Nov. 13, 2015 (KR) 30-2015-0057396

(51) **LOC (11) Cl.** **14-03**

(52) **U.S. Cl.**
USPC **D14/125**

(58) **Field of Classification Search**
USPC D14/125-134, 239, 371, 136, 374-377, D14/440, 450, 448, 336, 342, 159; D6/477, 479, 300; D20/10, 19, 39; D16/203, 241; D10/15, 26; D21/329, D21/515, 577, 622, 333, 433, 448, 452, D21/450, 331, 505
CPC G06F 1/1601; G06F 1/1643; G06F 1/1652; G06F 1/1647; G06F 3/0412; H05K 5/0004; H05K 5/0017; H05K 5/02; H05K 5/0217; H04N 13/0459

See application file for complete search history.

(57) **CLAIM**

The ornamental design for an audiovisual box for TV receiver, as shown and described.

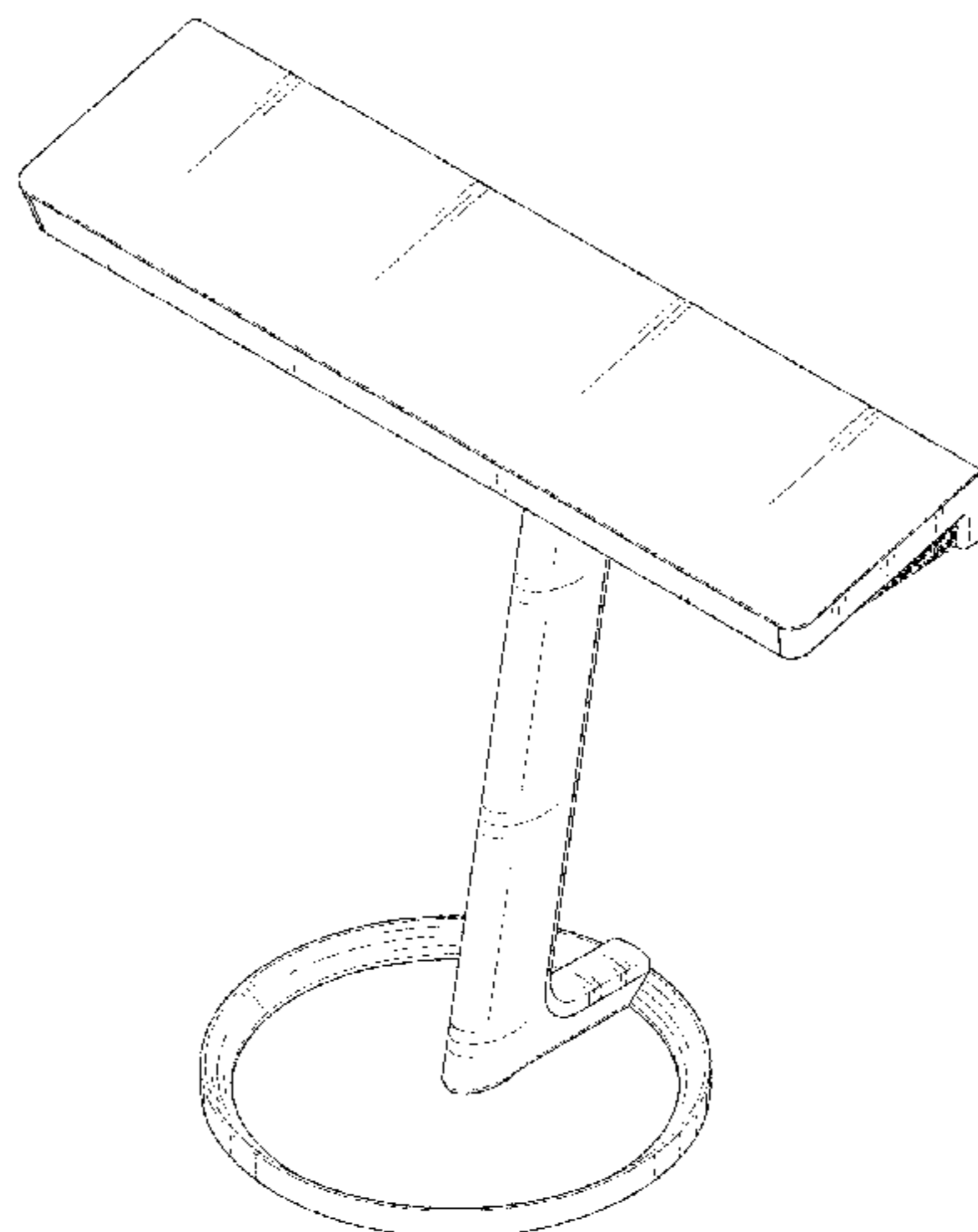
DESCRIPTION

1. Audiovisual box for TV receiver

- 1.1** : Perspective
- 1.2** : Front
- 1.3** : Back
- 1.4** : Left
- 1.5** : Right
- 1.6** : Top
- 1.7** : Bottom

The broken lines represent features of the audiovisual box for TV receiver that form no part of the claim.

1 Claim, 6 Drawing Sheets



(56)

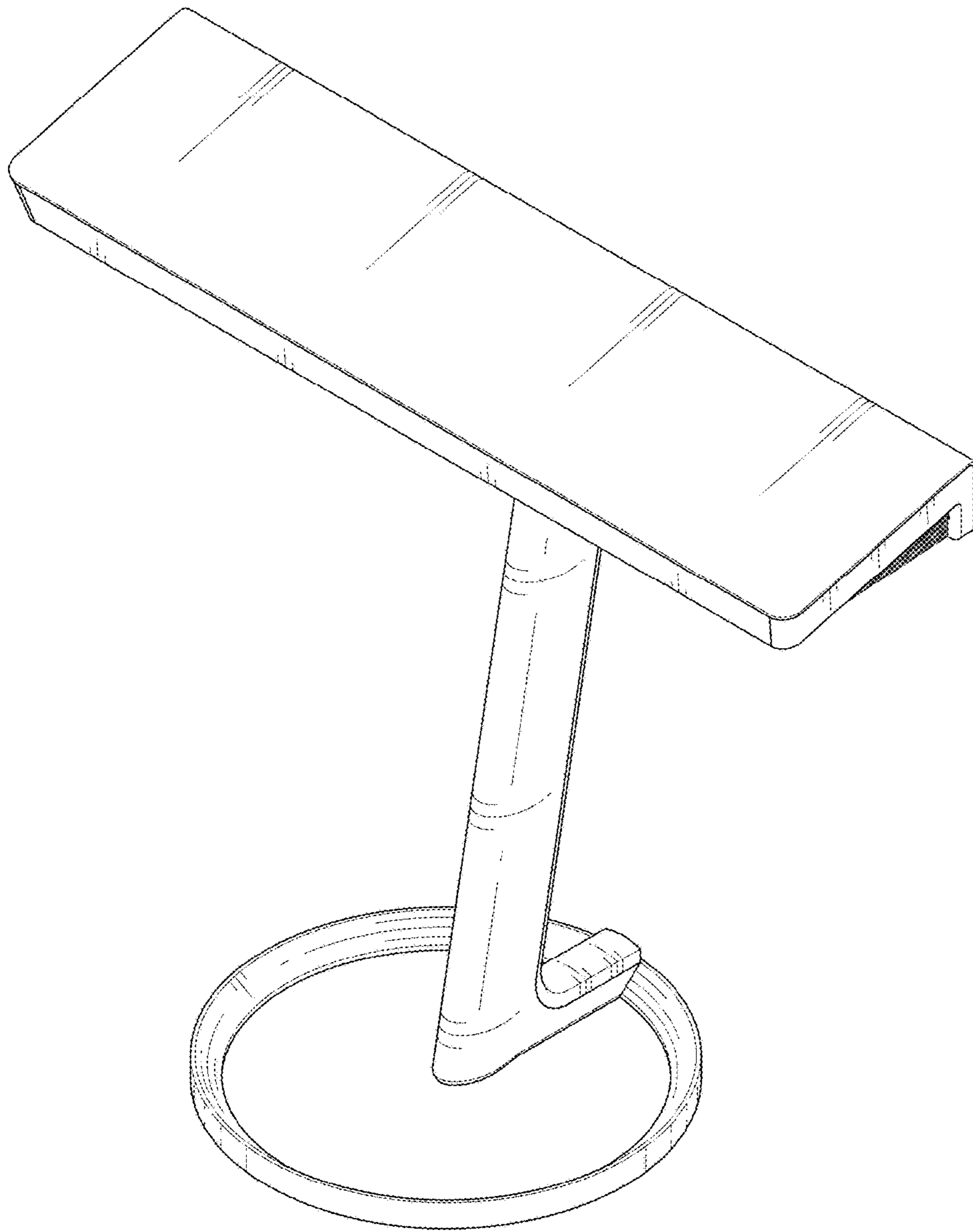
References Cited

U.S. PATENT DOCUMENTS

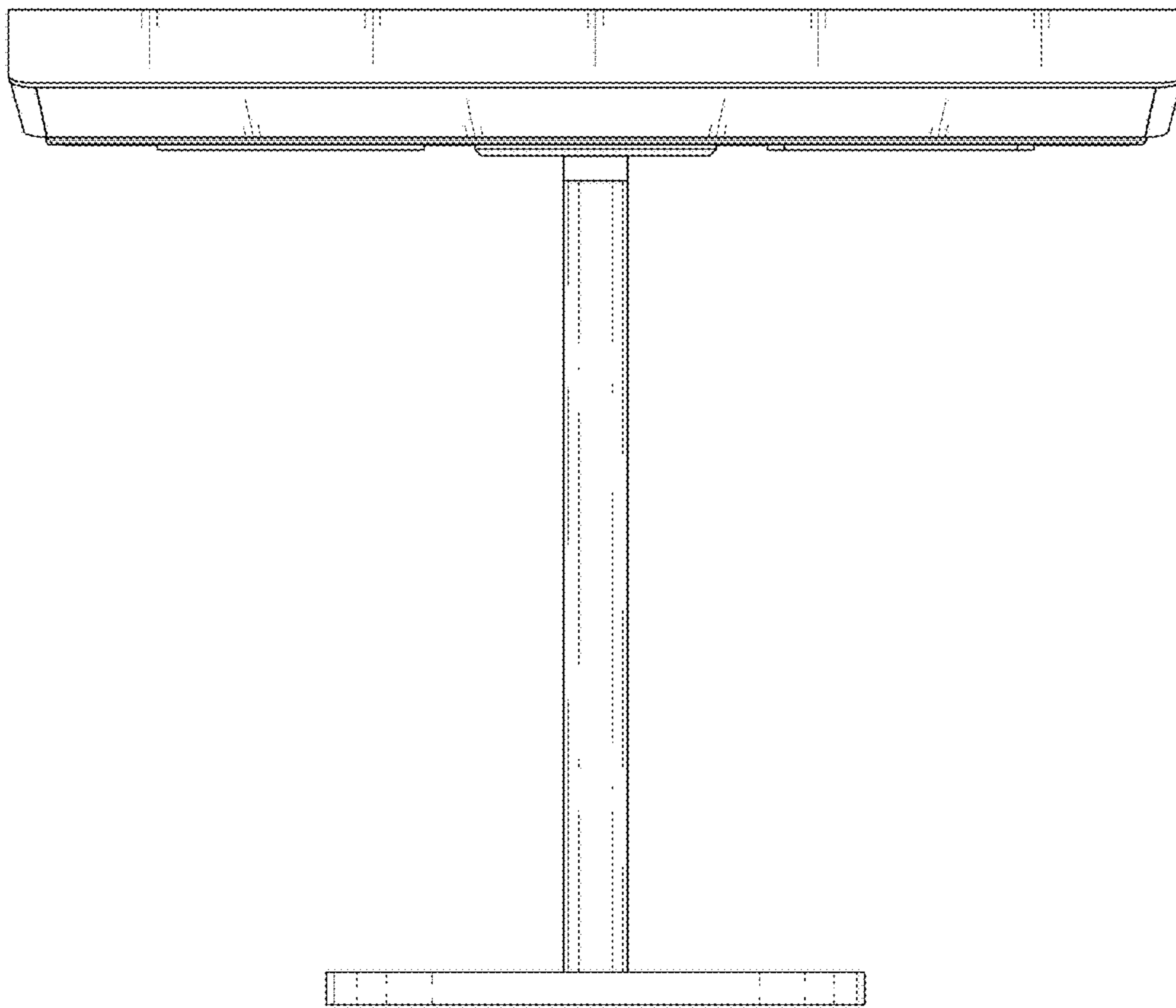
D774,037 S * 12/2016 Kang D14/451
D794,619 S * 8/2017 Kim D14/239
2004/0011932 A1* 1/2004 Duff F16M 11/10
248/157
2007/0262209 A1* 11/2007 She F16M 11/046
248/122.1

* cited by examiner

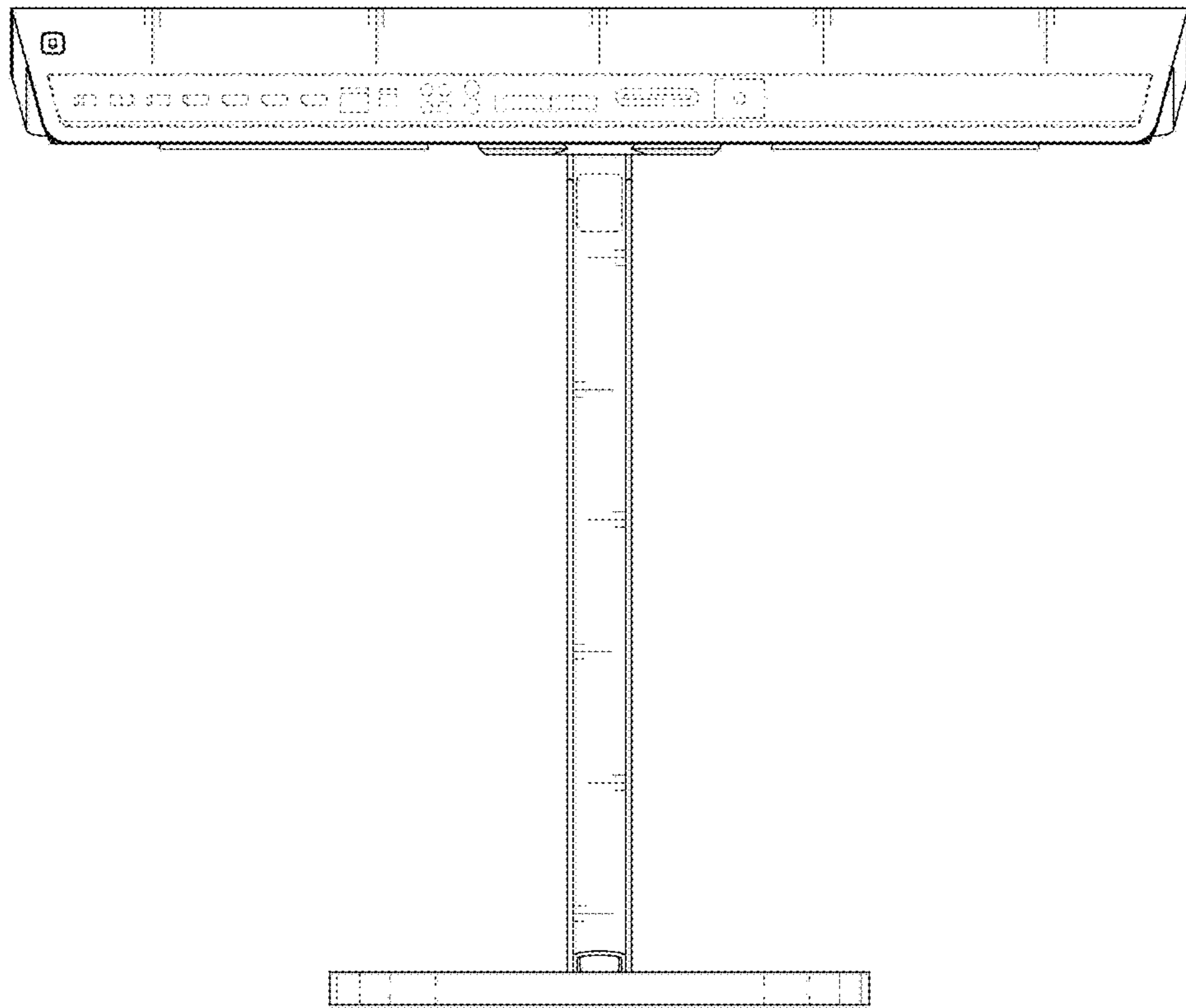
1.1



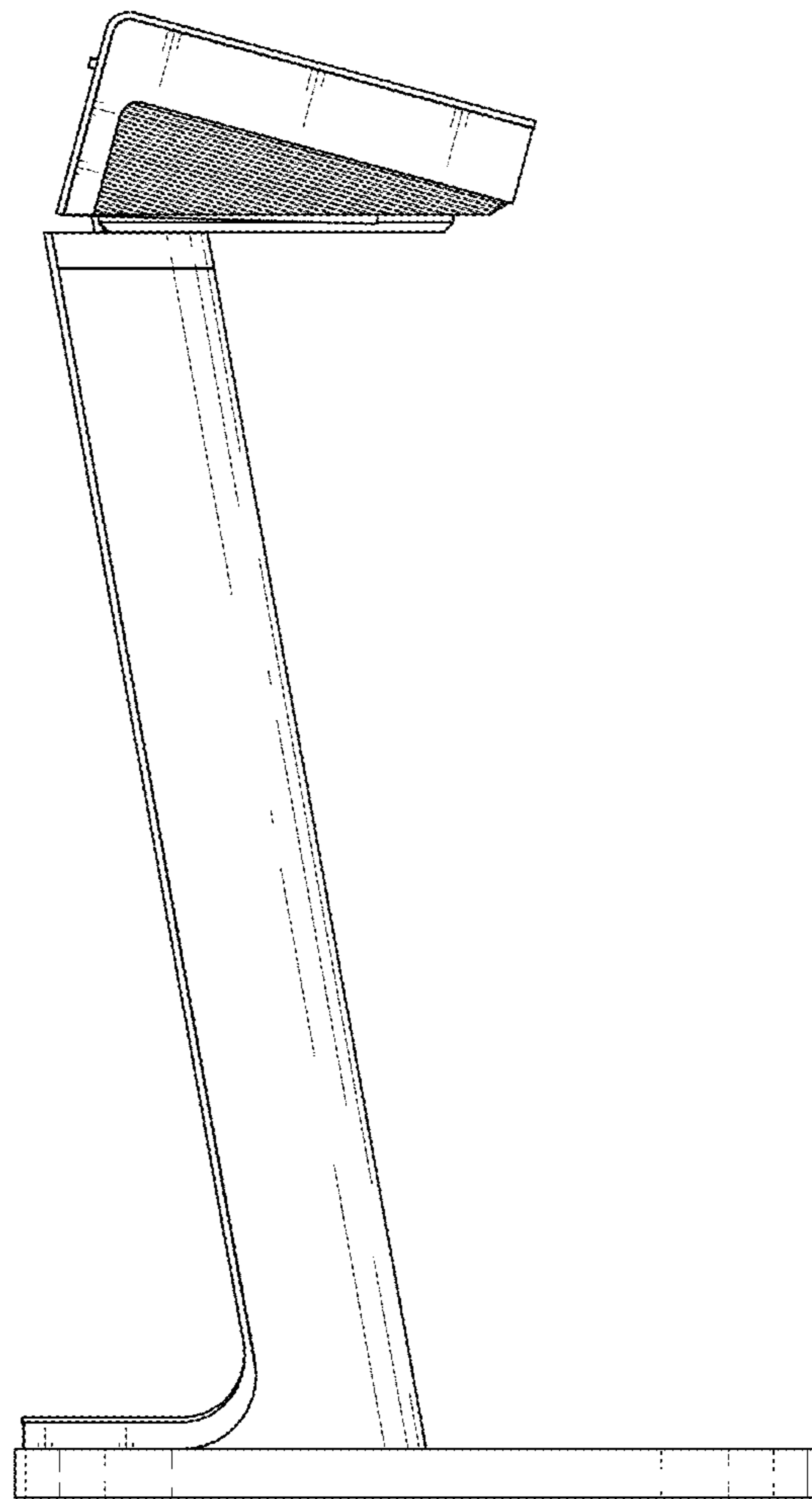
1.2



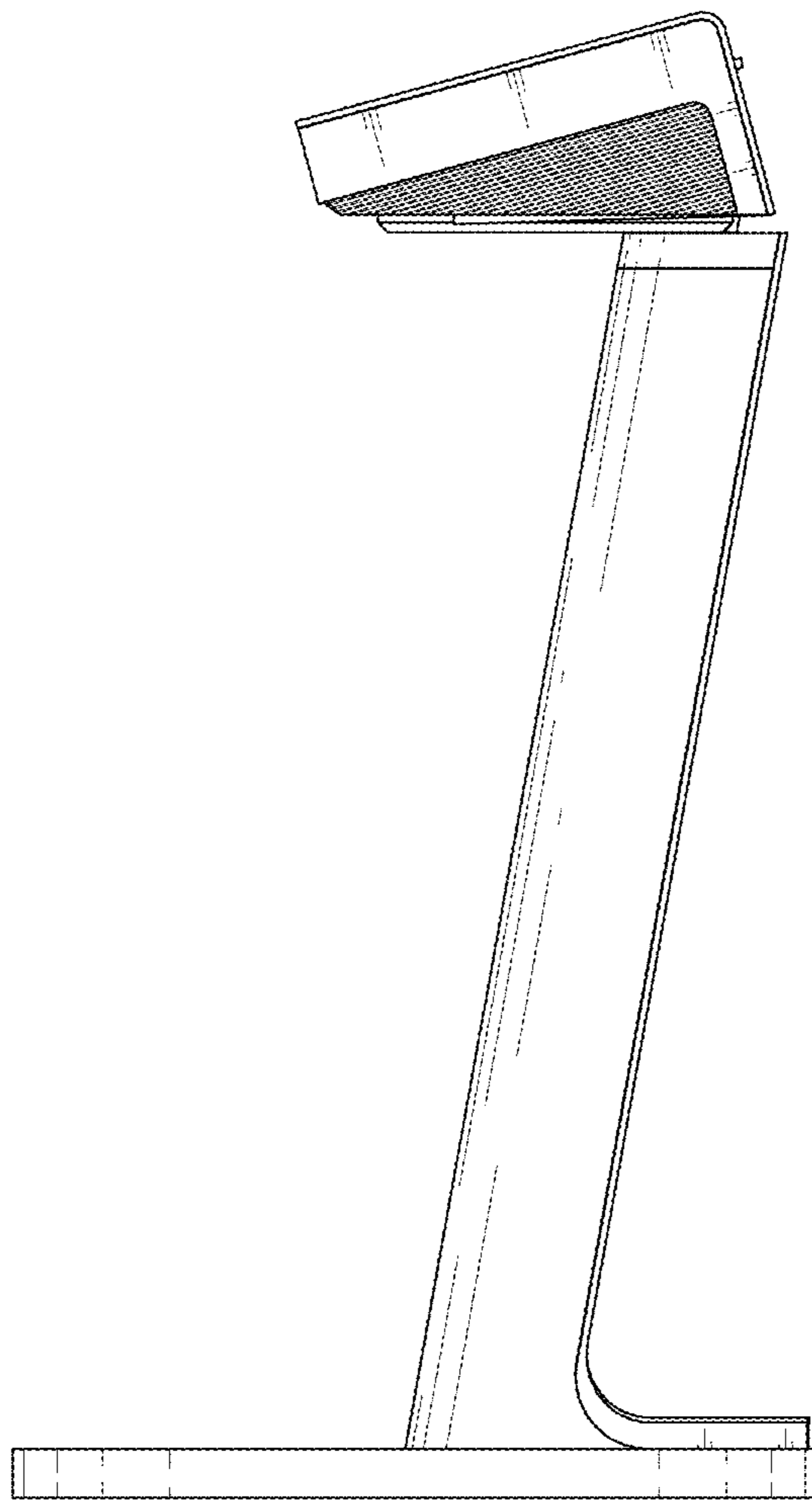
1.3



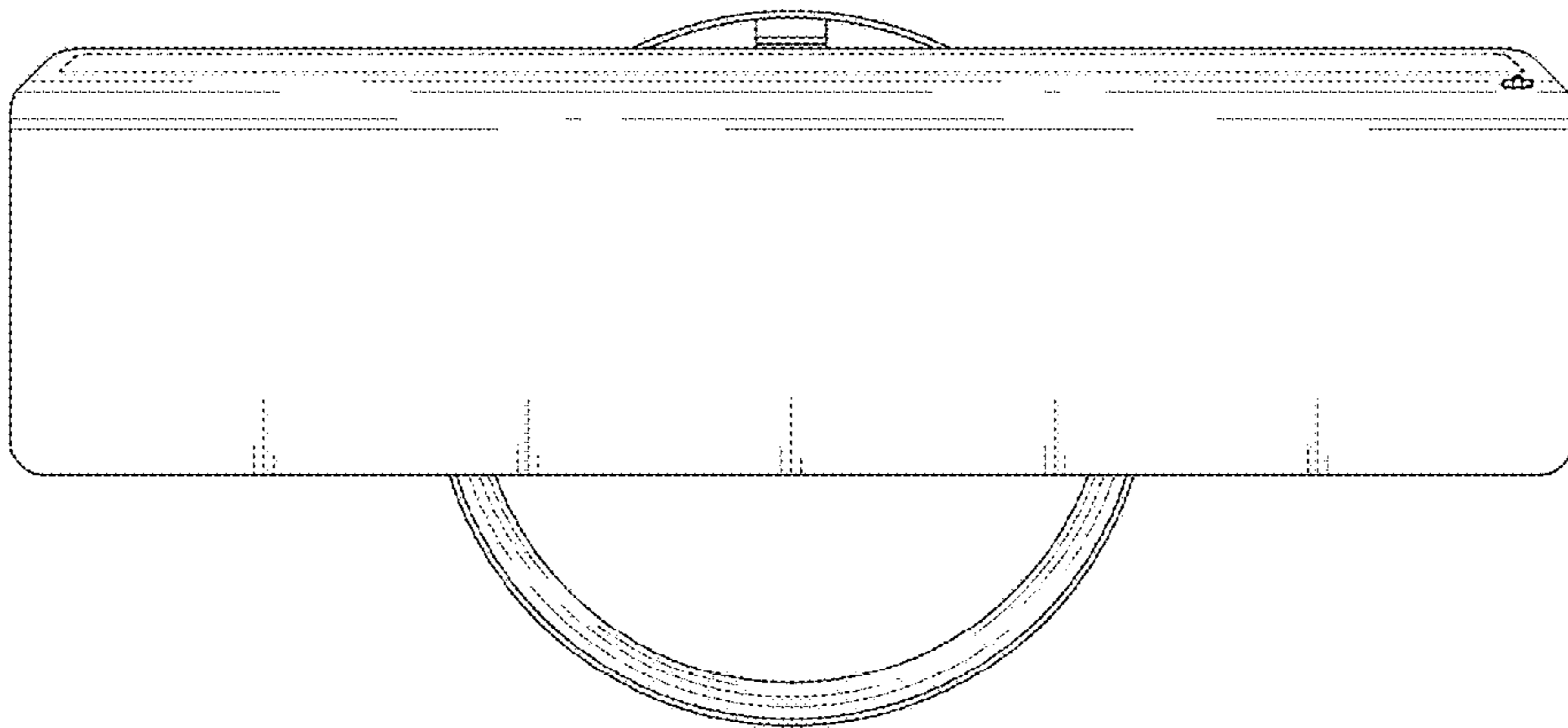
1.4



1.5



1.6



1.7

