



US00D826875S

(12) **United States Design Patent** (10) **Patent No.:** **US D826,875 S**
Mench et al. (45) **Date of Patent:** **** Aug. 28, 2018**

(54) **TAMPERING DETECTION CLAMPING BOX FOR INGRESS AND EGRESS LINES**

D465,843 S * 11/2002 Guala D24/129
7,074,212 B1 * 7/2006 Florea A61M 5/16881
604/246
7,141,738 B2 * 11/2006 Marsac G02B 6/4446
174/92

(71) Applicant: **University of Tennessee Research Foundation, Knoxville, TN (US)**

(Continued)

(72) Inventors: **Matthew M. Mench, Knoxville, TN (US); Matthew A. Young, Rockford, TN (US); Chad Duty, Loudon, TN (US)**

Primary Examiner — Lakiya G Rogers
Assistant Examiner — Harold E Blackwell, II
(74) *Attorney, Agent, or Firm* — Reising Ethington P.C.

(73) Assignee: **University of Tennessee Research Foundation, Knoxville, TN (US)**

(57) **CLAIM**
The ornamental design for a tampering detection clamping box for ingress/egress lines, as shown and described.

(**) Term: **15 Years**

DESCRIPTION

(21) Appl. No.: **29/632,440**

(22) Filed: **Jan. 8, 2018**

Related U.S. Application Data

(63) Continuation of application No. 15/492,704, filed on Apr. 20, 2017.

(51) **LOC (11) Cl.** **13-03**

(52) **U.S. Cl.**
USPC **D13/184**

(58) **Field of Classification Search**
USPC D13/184, 149, 137.4, 139.8, 139.9, 133, D13/156, 199; 439/369, 375; D24/127, D24/128
CPC .. A61M 39/28; A61M 2039/267; H01R 13/62
See application file for complete search history.

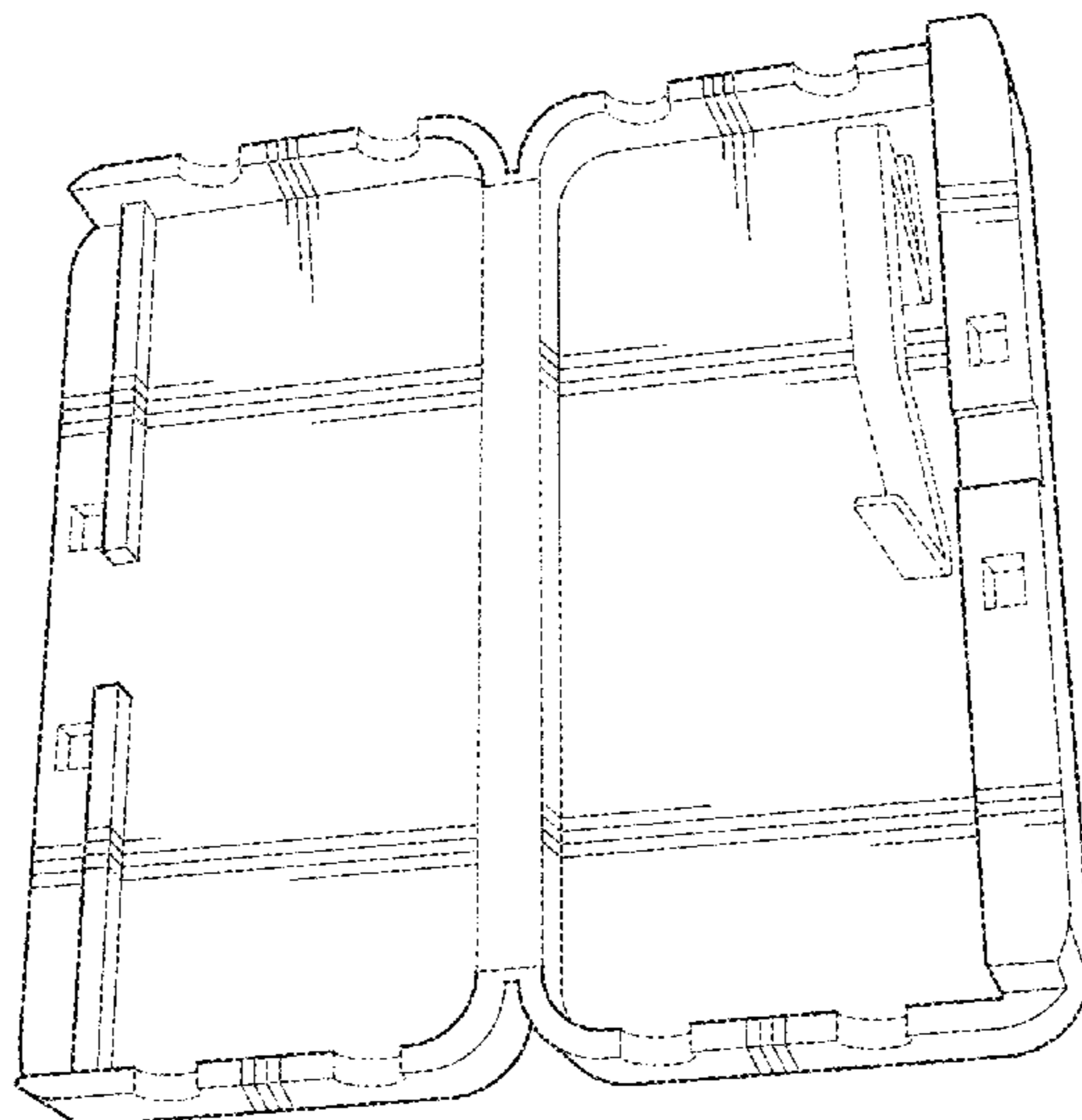
FIG. 1 is a perspective view of the tampering detection clamping box for ingress and egress lines, the tampering detection clamping box for ingress and egress lines being presented in a fully open state;
FIG. 2 is another perspective view thereof;
FIG. 3 is a top view thereof;
FIG. 4 is a leftside view thereof;
FIG. 5 is a rightside view thereof;
FIG. 6 is a front view thereof;
FIG. 7 is a rear view thereof;
FIG. 8 is a bottom view thereof;
FIG. 9 is another perspective view thereof, the tampering detection clamping box for ingress and egress lines being presented in an alternate partially open state; and,
FIG. 10 is another perspective thereof, the tampering detection clamping box for ingress and egress lines being presented in an alternate fully closed state.
The broken lines in the drawings illustrate portions of the tampering detection clamping box for ingress/egress lines that form no part of the claimed design. The oblique, lighter lines residing on a front wall of the tampering detection clamping box for ingress/egress lines, best shown in FIGS. 6, 9, and 10, represent a transparent surface and wall.

(56) **References Cited**

U.S. PATENT DOCUMENTS

4,425,116 A * 1/1984 Bilstad A61M 39/285
137/595
6,265,665 B1 * 7/2001 Zahnen H01R 4/70
174/70 A

1 Claim, 4 Drawing Sheets



(56)

References Cited

U.S. PATENT DOCUMENTS

7,273,984 B2 * 9/2007 Murphy H01R 13/5213
174/92
D569,349 S * 5/2008 Preston D13/156
D613,697 S * 4/2010 Symons D13/149
D632,030 S * 2/2011 Lumsden D30/138
7,887,360 B2 * 2/2011 Andrade H01R 13/6392
439/369
8,016,792 B2 * 9/2011 Wright A61M 25/02
604/174
D680,083 S * 4/2013 Olson D13/156
8,408,929 B2 * 4/2013 Solon H01R 13/639
439/301
8,848,347 B2 * 9/2014 Doorn G02B 6/4447
174/15.1
8,960,973 B1 * 2/2015 Kathawate H01R 4/70
174/92
D782,287 S * 3/2017 Chen D8/356
D795,044 S * 8/2017 McNutt D13/156
D803,667 S * 11/2017 Chen D8/356
2004/0097120 A1 * 5/2004 Limber H01R 13/6392
439/369
2004/0238201 A1 * 12/2004 Asakura H02G 15/013
174/92
2005/0167147 A1 * 8/2005 Marsac G02B 6/4446
174/92
2008/0132848 A1 * 6/2008 Wright A61M 25/01
604/174
2010/0255704 A1 * 10/2010 Gardner G01G 23/017
439/301

* cited by examiner

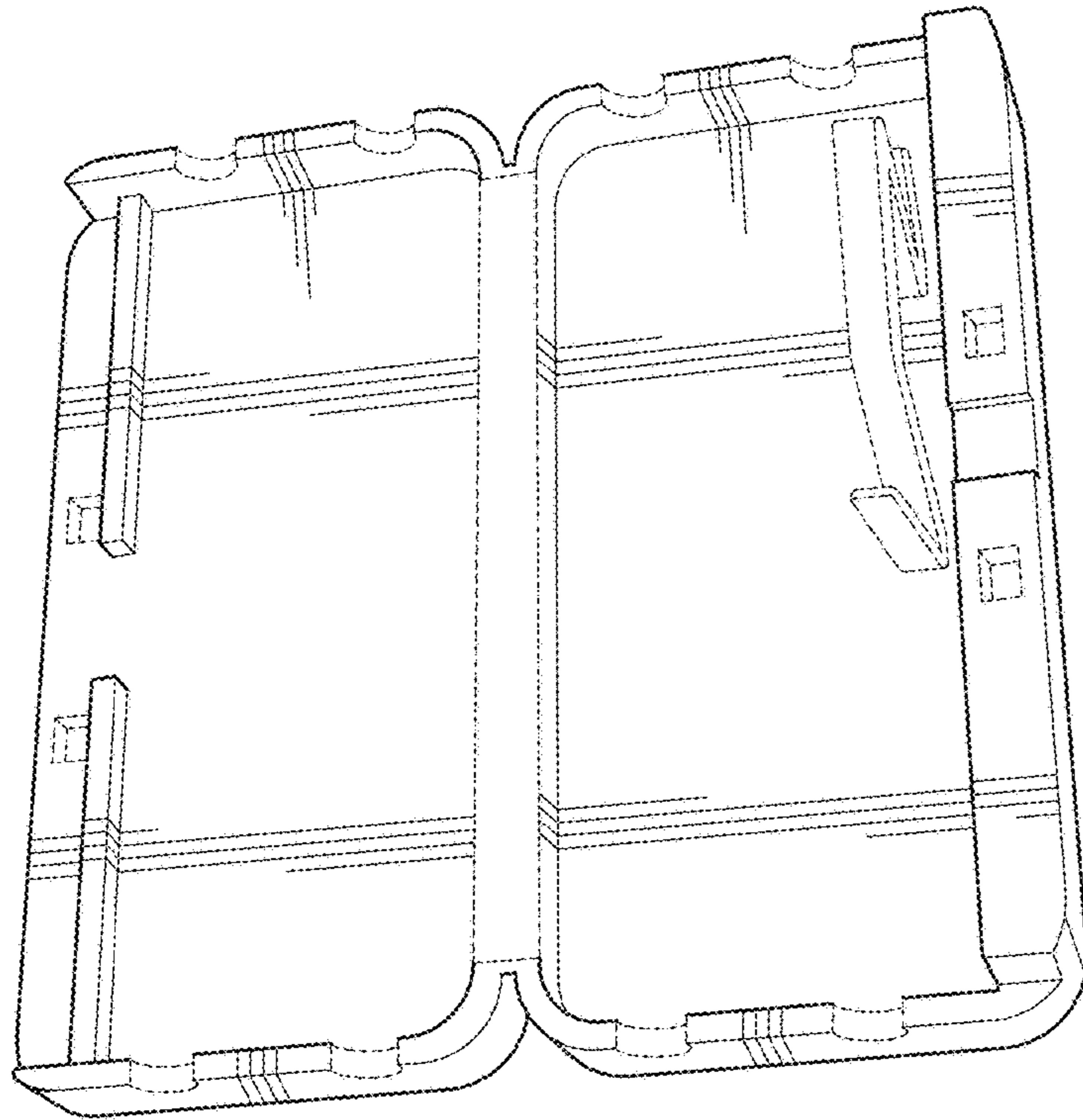


FIG. 1

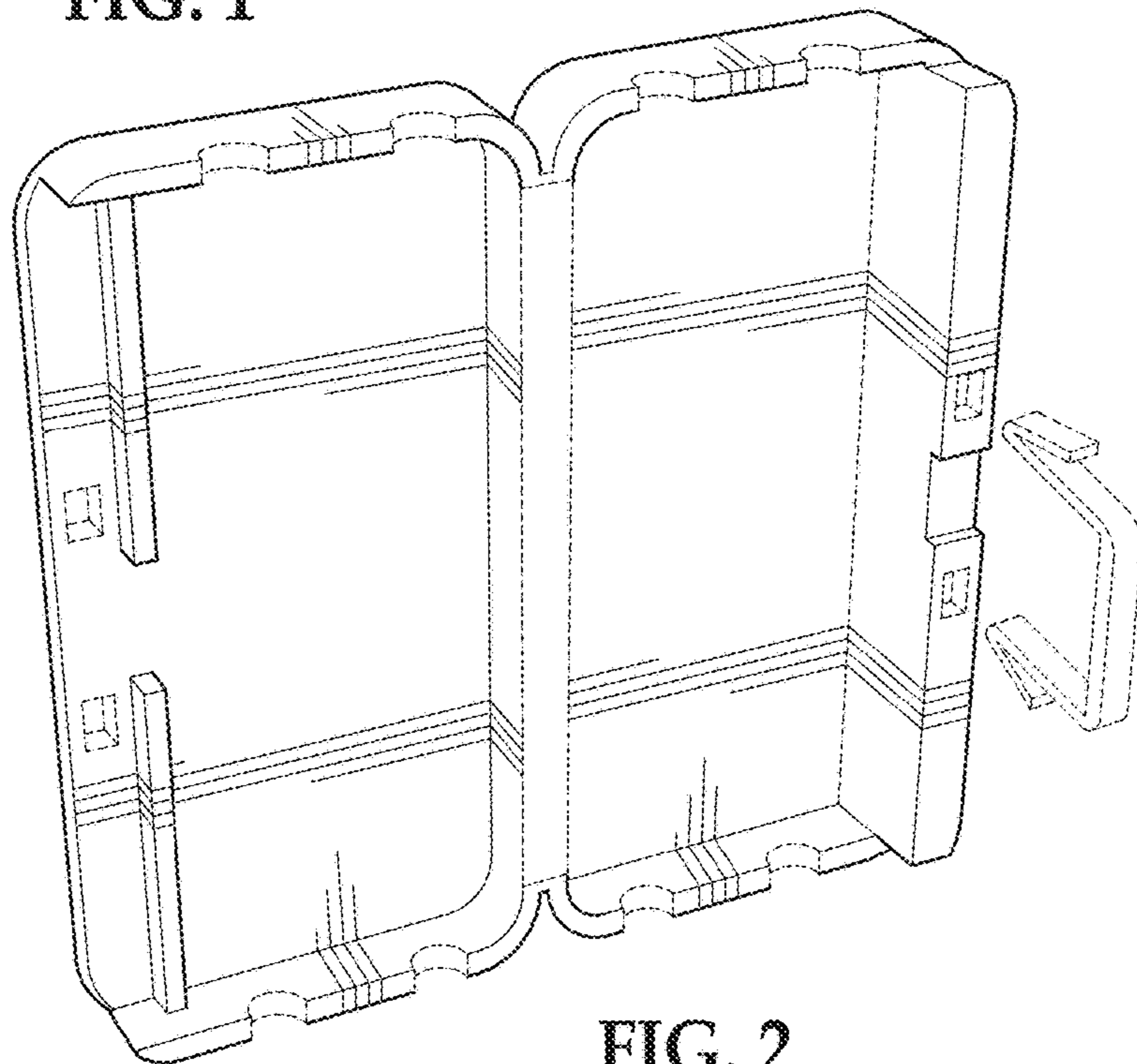


FIG. 2

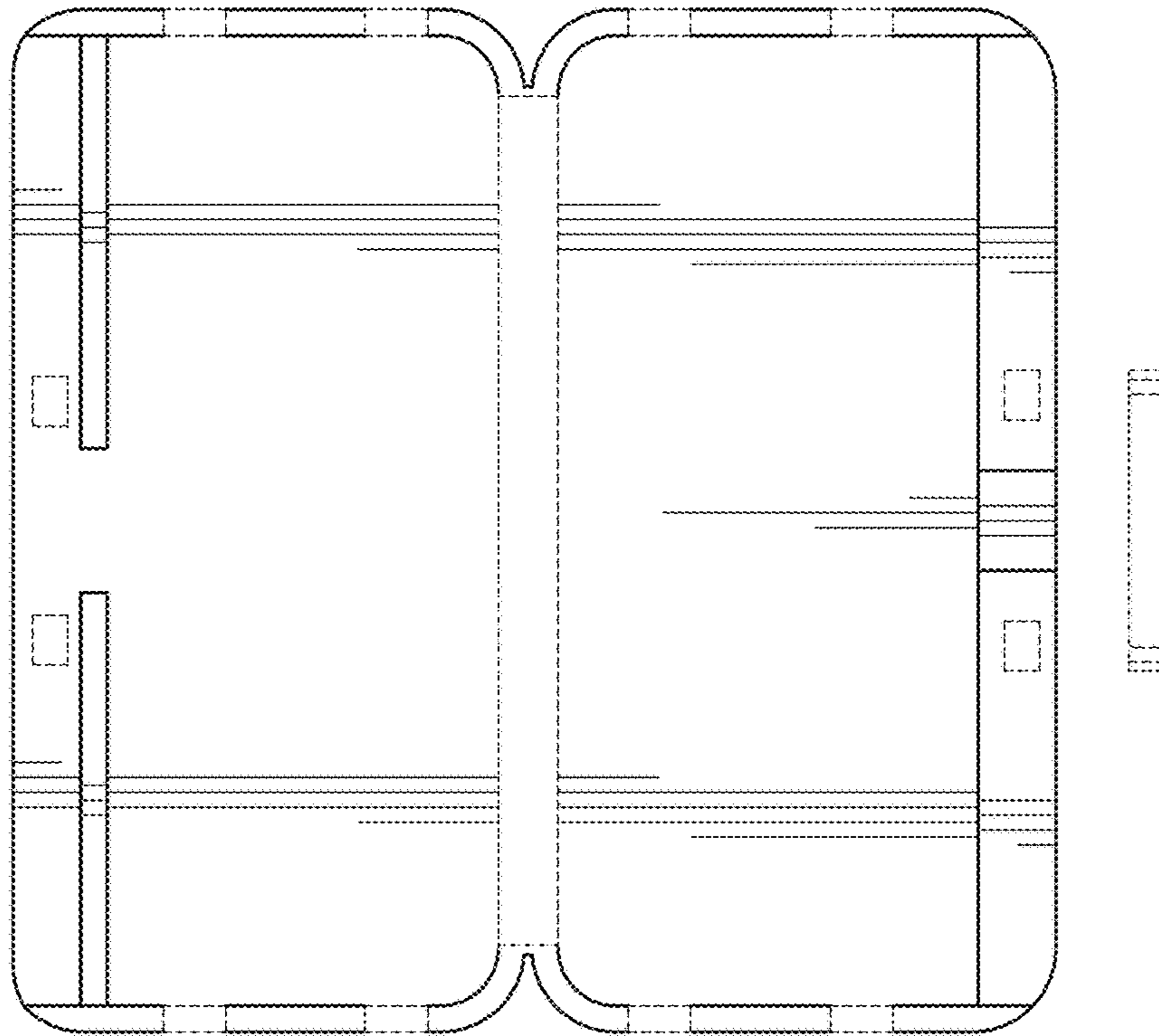


FIG. 3

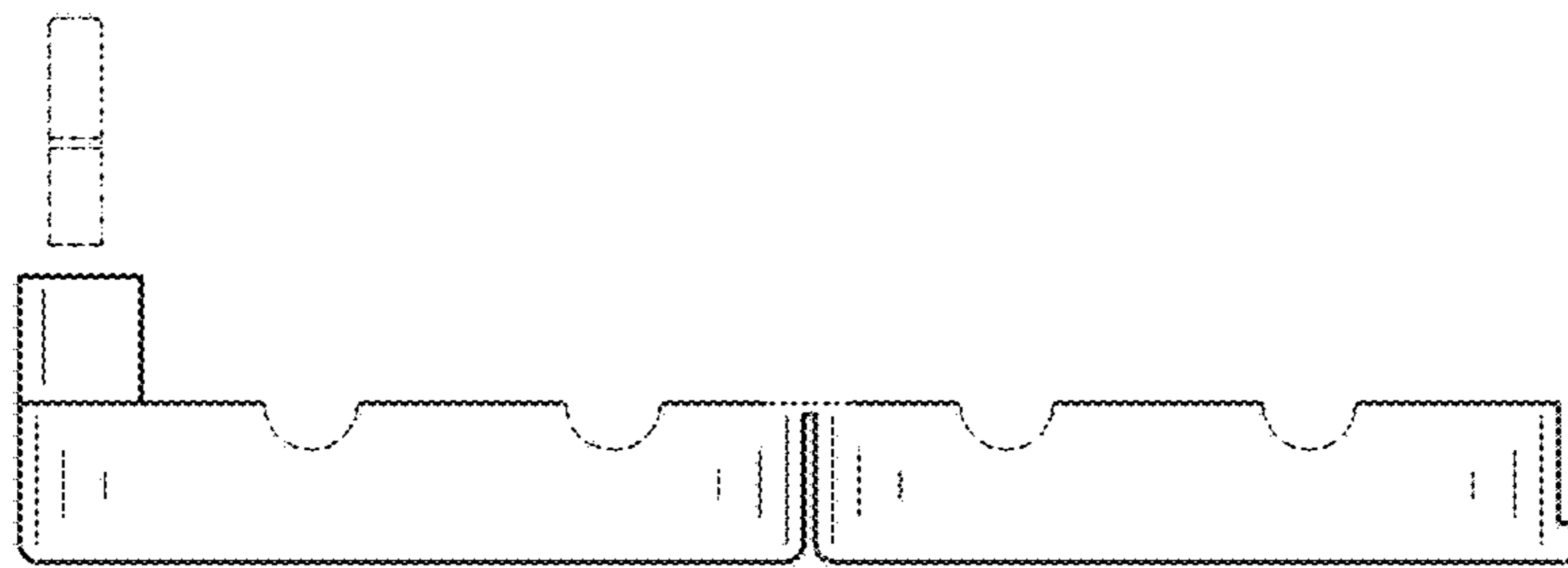


FIG. 4

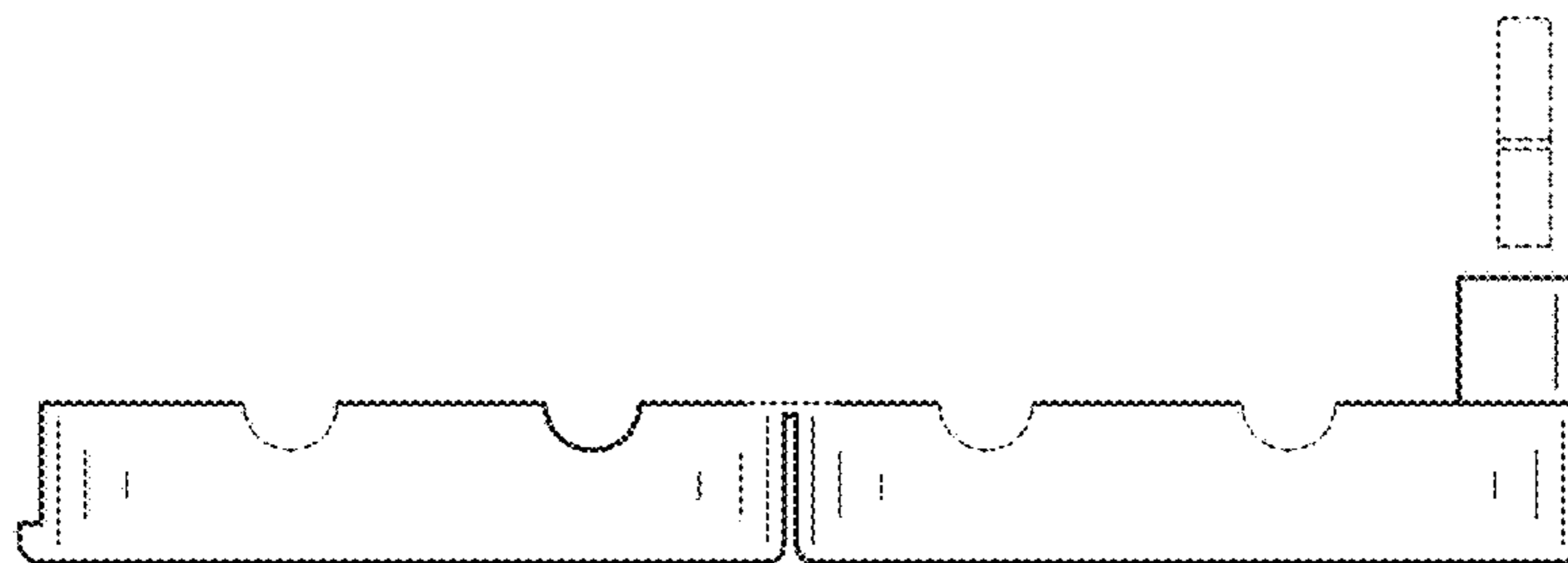


FIG. 5

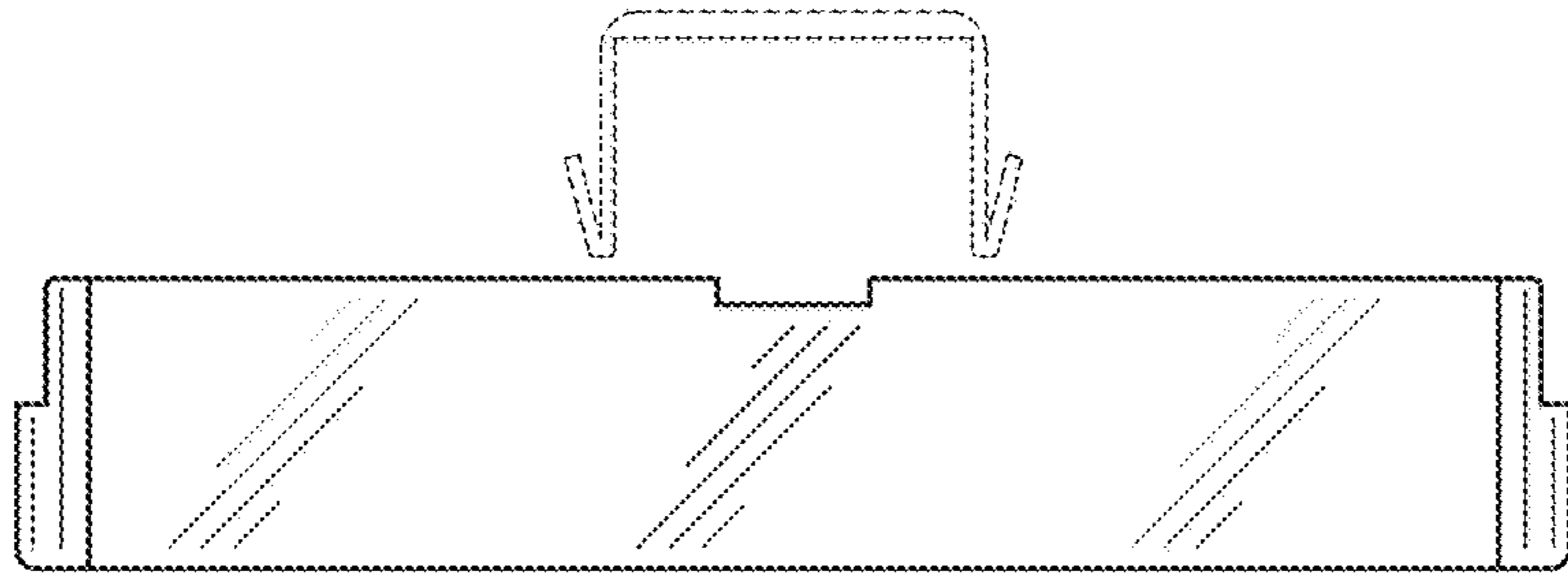


FIG. 6

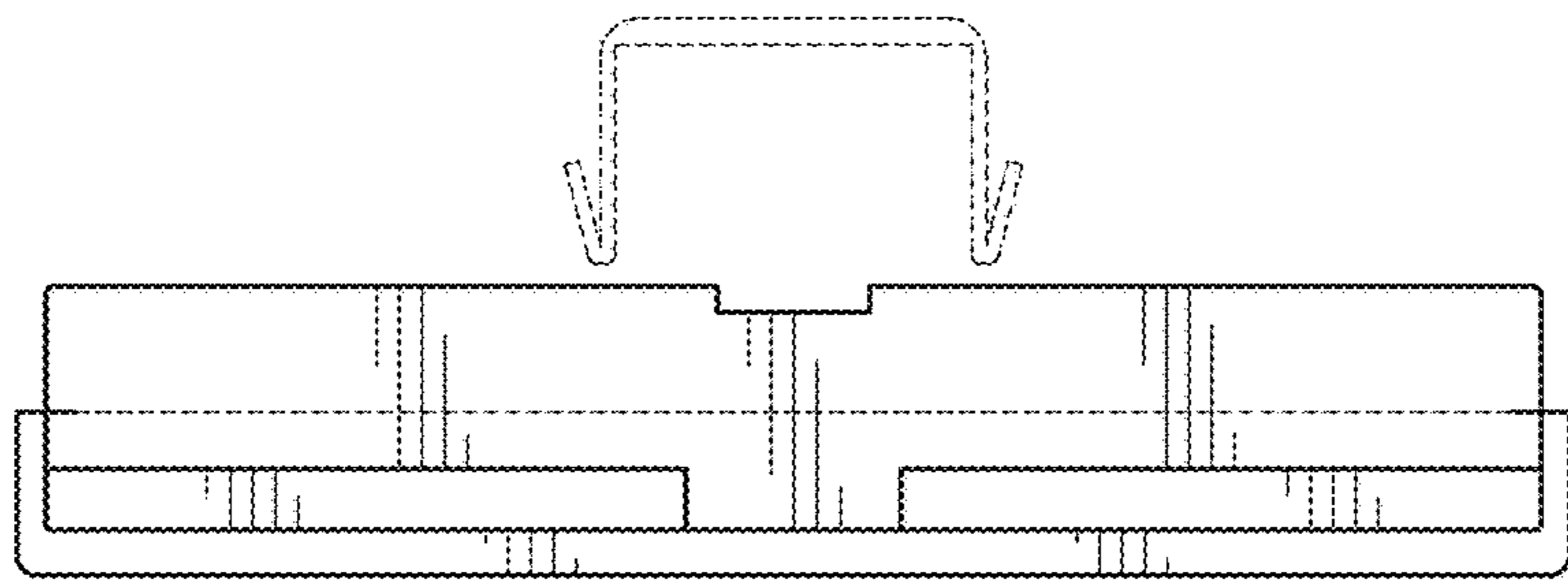


FIG. 7

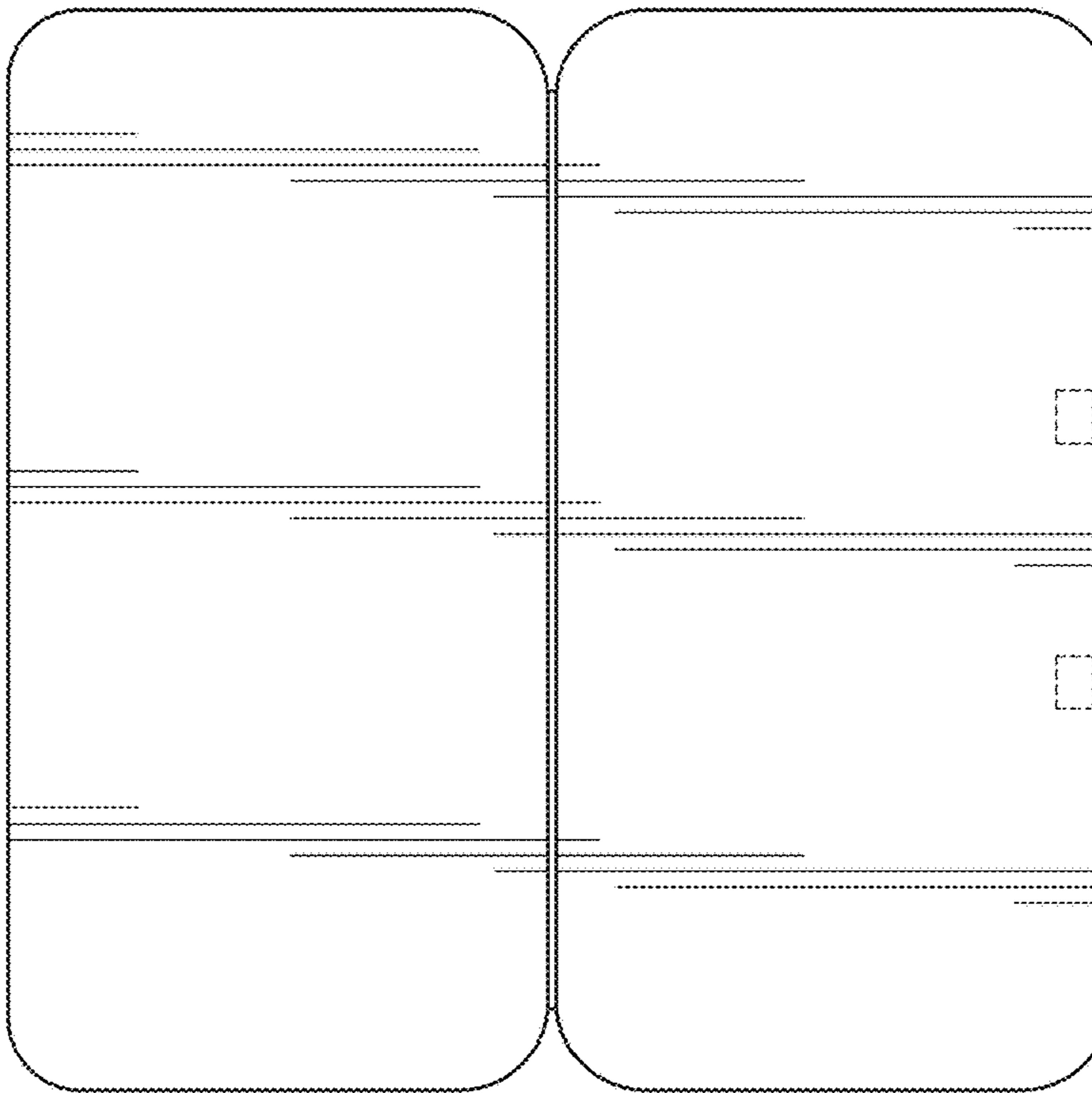


FIG. 8

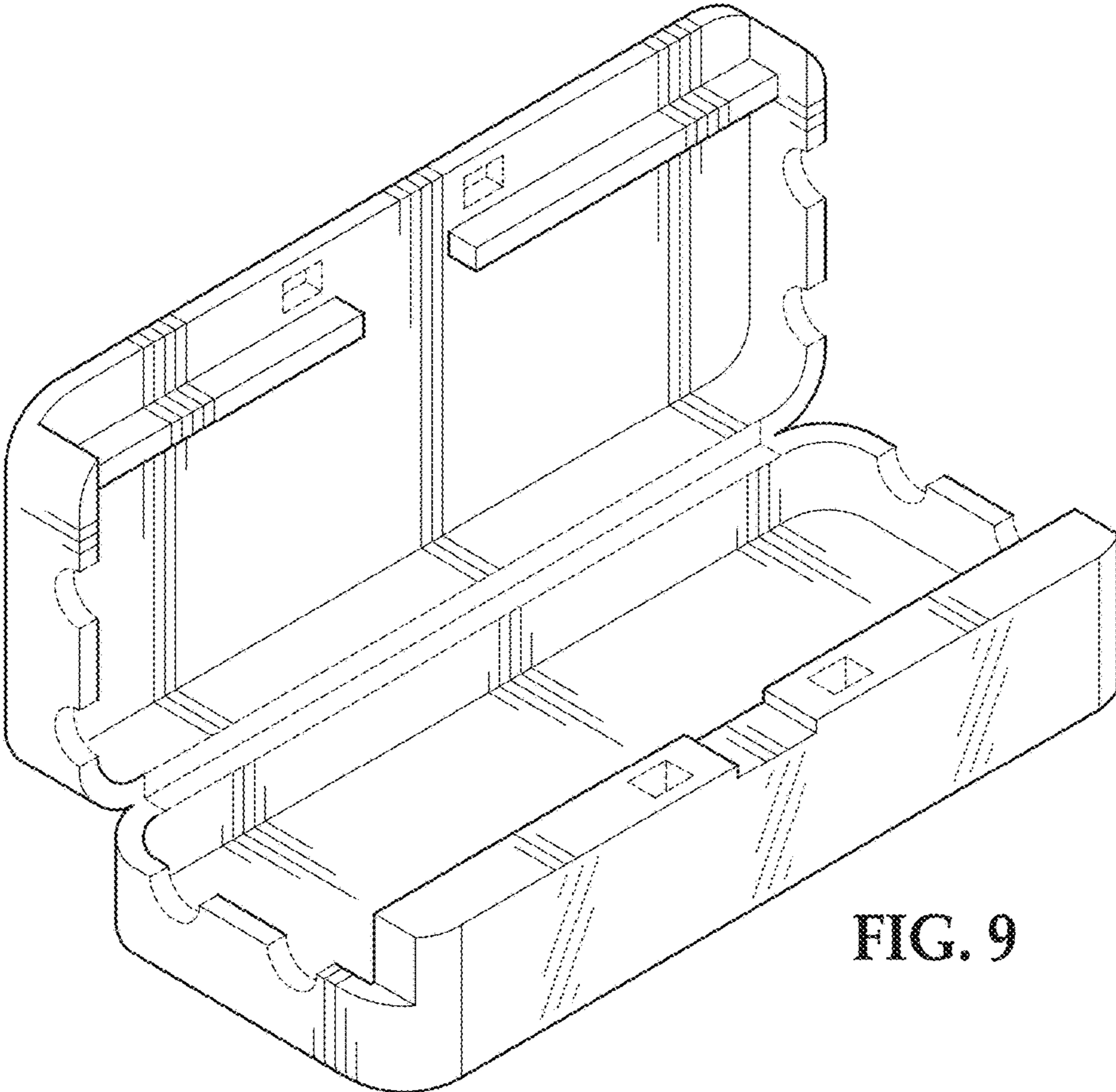


FIG. 9

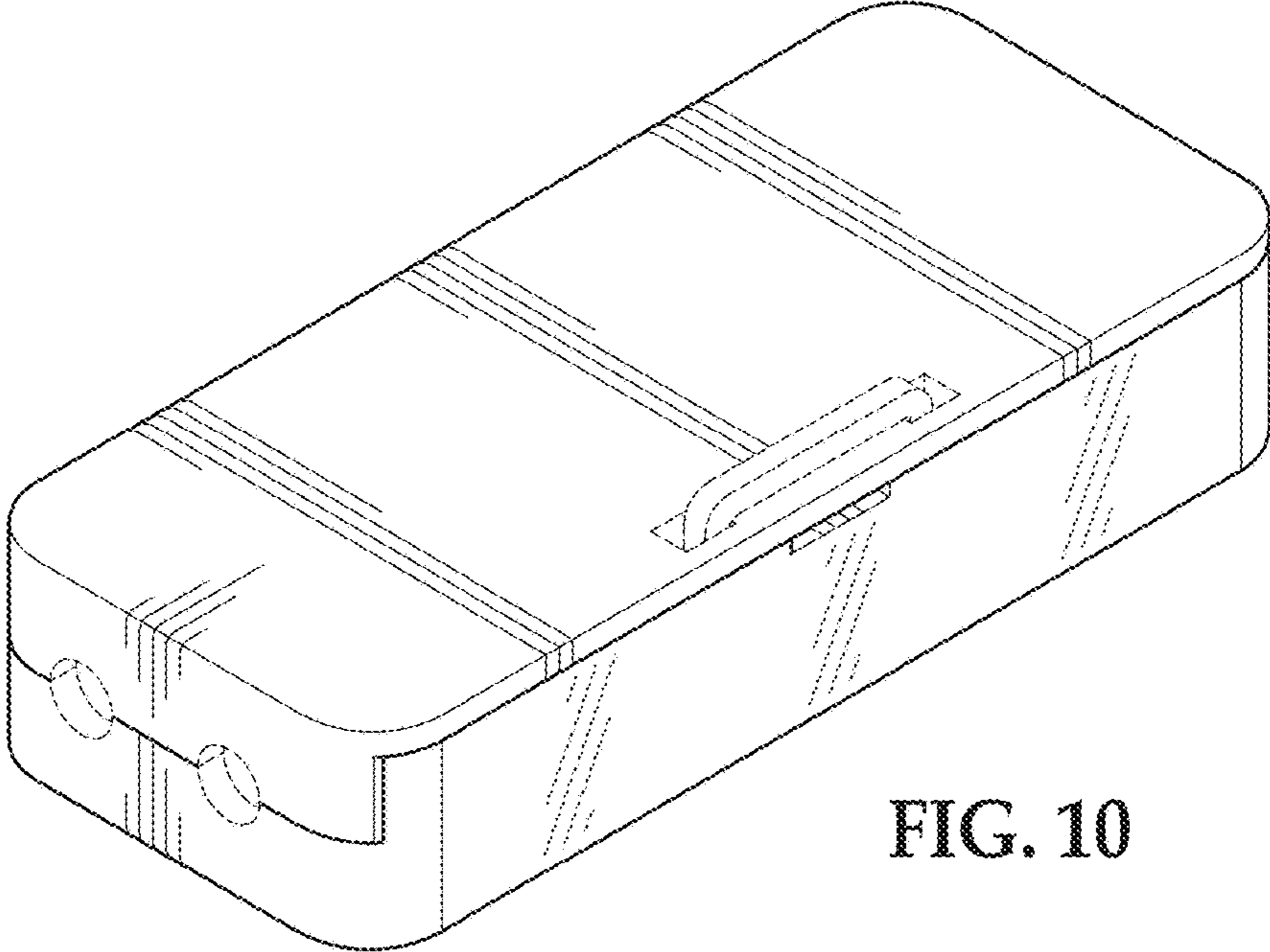


FIG. 10