

US00D826874S

(12) **United States Design Patent** (10) **Patent No.:** **US D826,874 S**
Mench et al. (45) **Date of Patent:** **** Aug. 28, 2018**

(54) **TAMPERING DETECTION CLAMPING BOX FOR INGRESS AND EGRESS LINES**

D465,843 S * 11/2002 Guala D24/129
7,074,212 B1 * 7/2006 Florea A61M 5/16881
604/246
7,141,738 B2 * 11/2006 Marsac G02B 6/4446
174/92

(71) Applicant: **University of Tennessee Research Foundation, Knoxville, TN (US)**

(Continued)

(72) Inventors: **Matthew M. Mench, Knoxville, TN (US); Matthew A. Young, Rockford, TN (US); Chad Duty, Loudon, TN (US)**

Primary Examiner — Lakiya G Rogers
Assistant Examiner — Harold E Blackwell, II
(74) *Attorney, Agent, or Firm* — Reising Ethington P.C.

(73) Assignee: **University of Tennessee Research Foundation, Knoxville, TN (US)**

(57) **CLAIM**
The ornamental design for a tampering detection clamping box for ingress and egress lines, as shown and described.

(**) Term: **15 Years**

DESCRIPTION

(21) Appl. No.: **29/632,433**

(22) Filed: **Jan. 8, 2018**

Related U.S. Application Data

(63) Continuation of application No. 15/492,704, filed on Apr. 20, 2017.

(51) **LOC (11) Cl.** **13-03**

(52) **U.S. Cl.**
USPC **D13/184**

(58) **Field of Classification Search**
USPC D13/184, 149, 137.4, 139.8, 139.9, 133, D13/156, 199; 439/369, 375; D24/127, D24/128
CPC .. A61M 39/28; A61M 2039/267; H01R 13/62
See application file for complete search history.

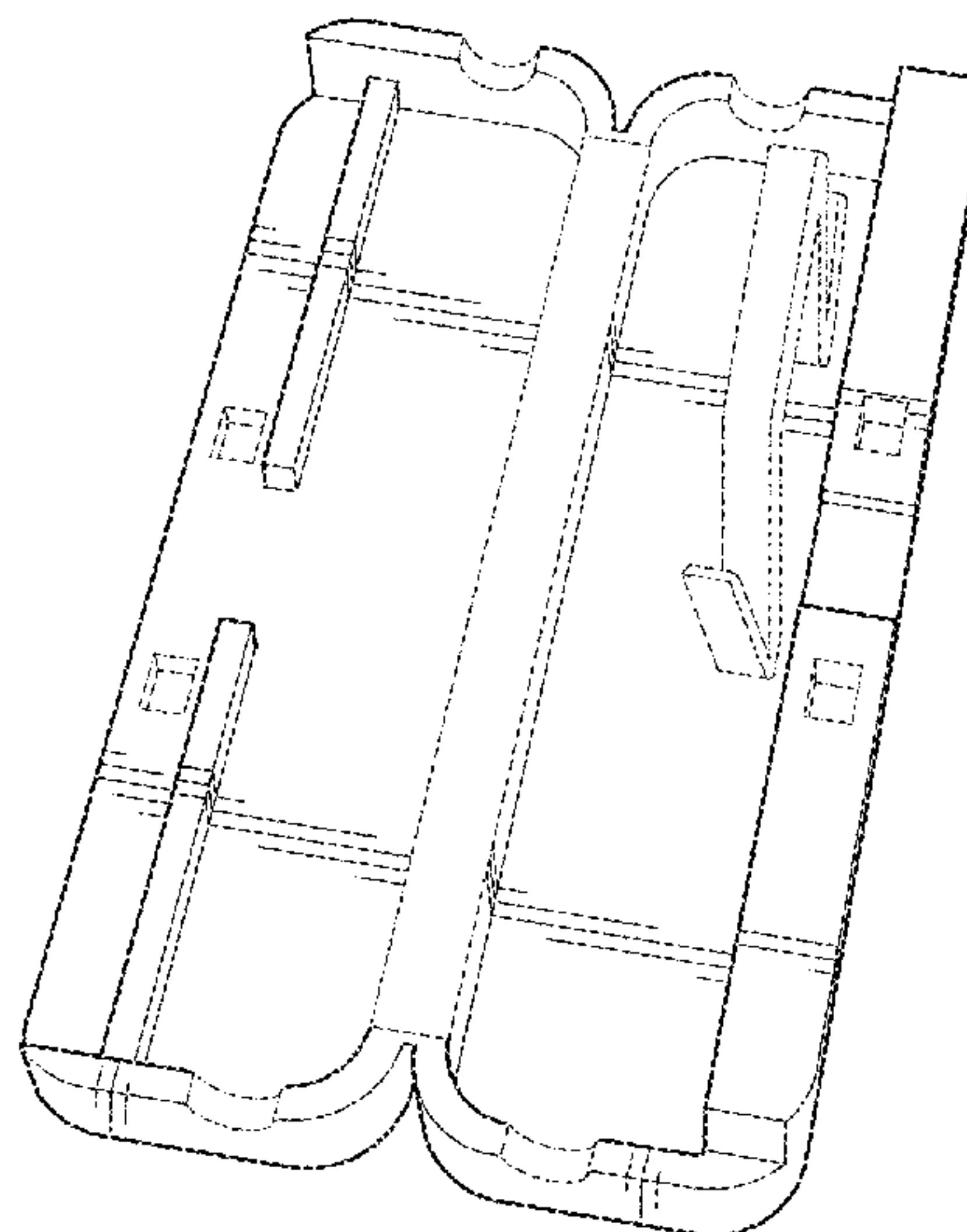
(56) **References Cited**

U.S. PATENT DOCUMENTS

4,425,116 A * 1/1984 Bilstad A61M 39/285
137/595
6,265,665 B1 * 7/2001 Zahnen H01R 4/70
174/70 A

FIG. 1 is a perspective view of the tampering detection clamping box for ingress and egress lines, the tampering detection clamping box for ingress/egress lines being presented in a fully open state;
FIG. 2 is another perspective view thereof;
FIG. 3 is a top view thereof;
FIG. 4 is a leftside view thereof;
FIG. 5 is a rightside view thereof;
FIG. 6 is a front view thereof;
FIG. 7 is a rear view thereof;
FIG. 8 is a bottom view thereof;
FIG. 9 is another perspective view thereof, the tampering detection clamping box for ingress and egress lines being presented in an alternate partially open state; and,
FIG. 10 is another perspective thereof, the tampering detection clamping box for ingress and egress lines being presented in an alternate fully closed state.
The broken lines in the drawings illustrate portions of the tampering detection clamping box for ingress/egress lines that form no part of the claimed design. The oblique, lighter lines residing on a front wall of the tampering detection clamping box for ingress/egress lines as best shown in FIGS. 6, 9, and 10, represent a transparent surface and wall.

1 Claim, 4 Drawing Sheets



(56)

References Cited

U.S. PATENT DOCUMENTS

7,273,984	B2 *	9/2007	Murphy	H01R 13/5213 174/92
D569,349	S *	5/2008	Preston	D13/156
D613,697	S *	4/2010	Symons	D13/149
D632,030	S *	2/2011	Lumsden	D30/138
7,887,360	B2 *	2/2011	Andrade	H01R 13/6392 439/369
8,016,792	B2 *	9/2011	Wright	A61M 25/02 604/174
D680,083	S *	4/2013	Olson	D13/156
8,408,929	B2 *	4/2013	Solon	H01R 13/639 439/301
8,848,347	B2 *	9/2014	Doorn	G02B 6/4447 174/15.1
8,960,973	B1 *	2/2015	Kathawate	H01R 4/70 174/92
D782,287	S *	3/2017	Chen	D8/356
D795,044	S *	8/2017	McNutt	D13/156
D803,667	S *	11/2017	Chen	D8/356
2004/0097120	A1 *	5/2004	Limber	H01R 13/6392 439/369
2004/0238201	A1 *	12/2004	Asakura	H02G 15/013 174/92
2005/0167147	A1 *	8/2005	Marsac	G02B 6/4446 174/92
2008/0132848	A1 *	6/2008	Wright	A61M 25/01 604/174
2010/0255704	A1 *	10/2010	Gardner	G01G 23/017 439/301

* cited by examiner

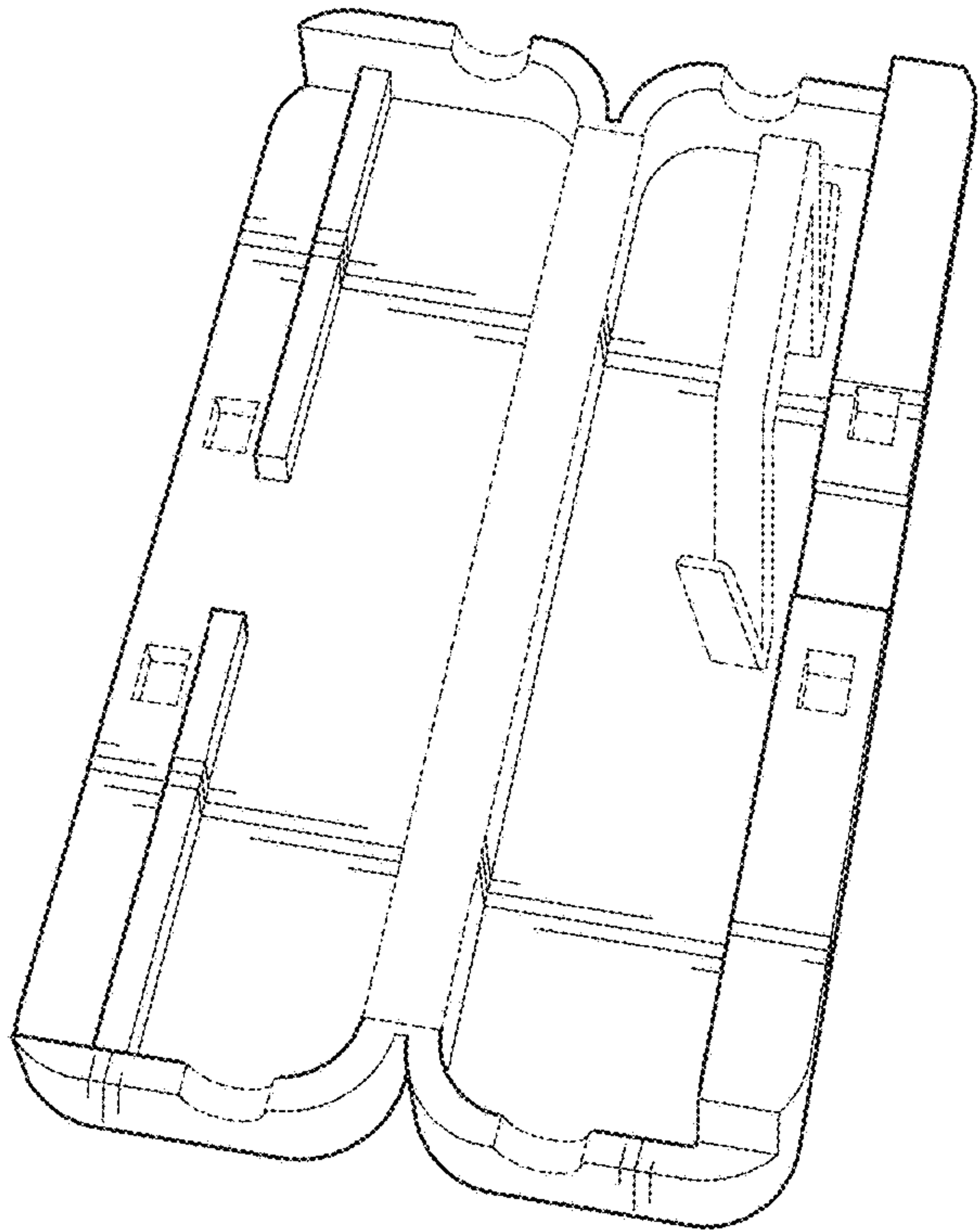


FIG. 1

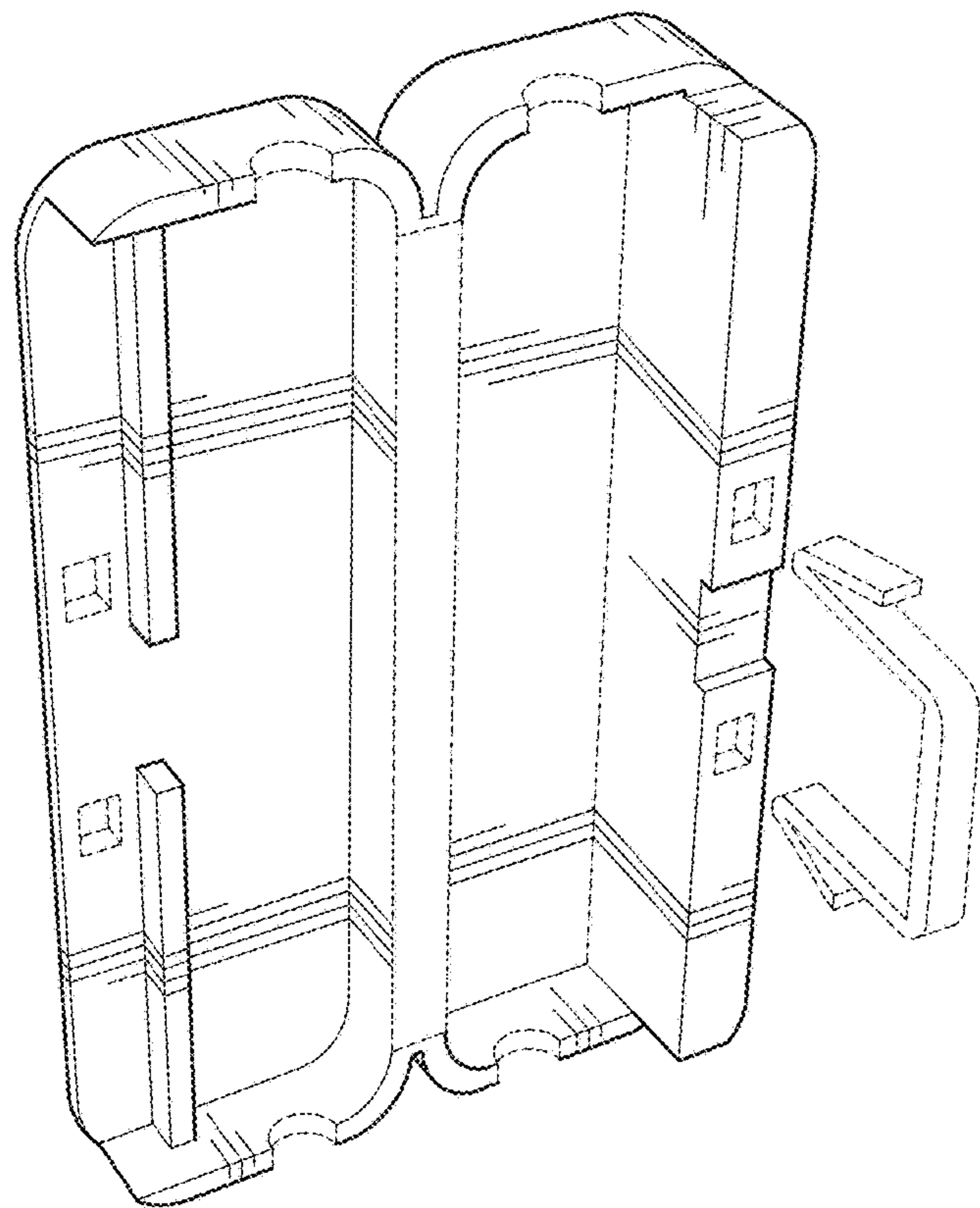


FIG. 2

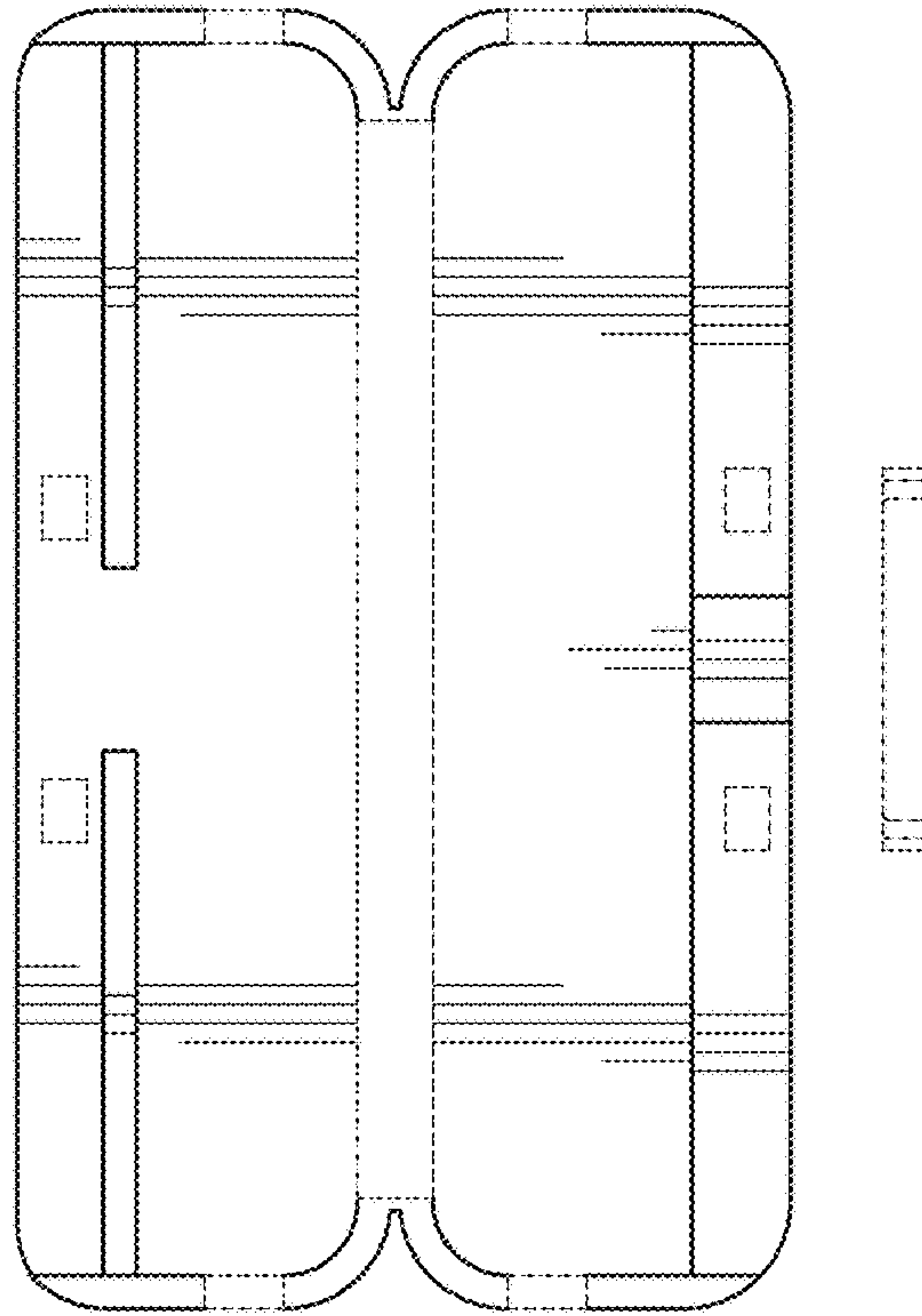


FIG. 3

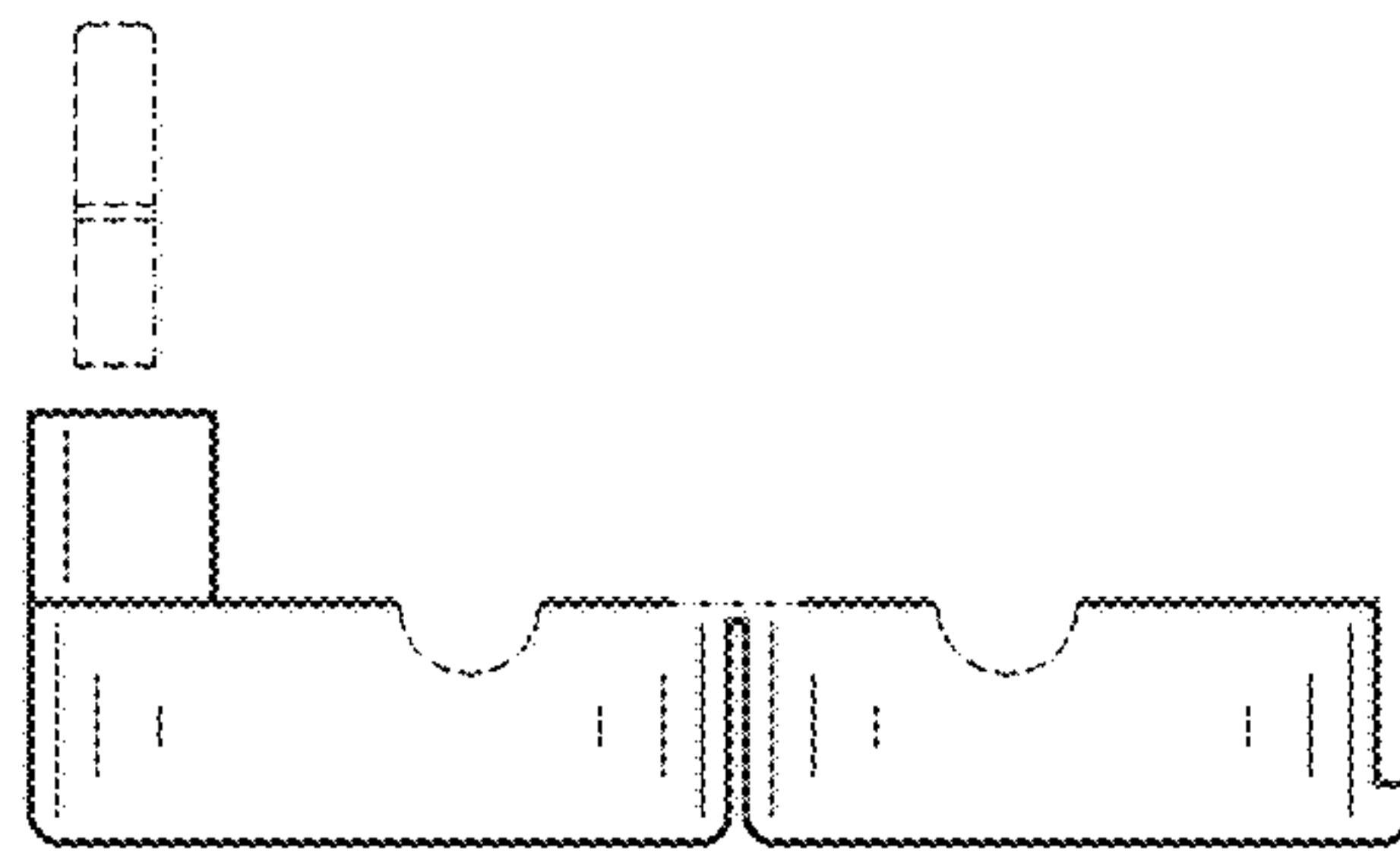


FIG. 4

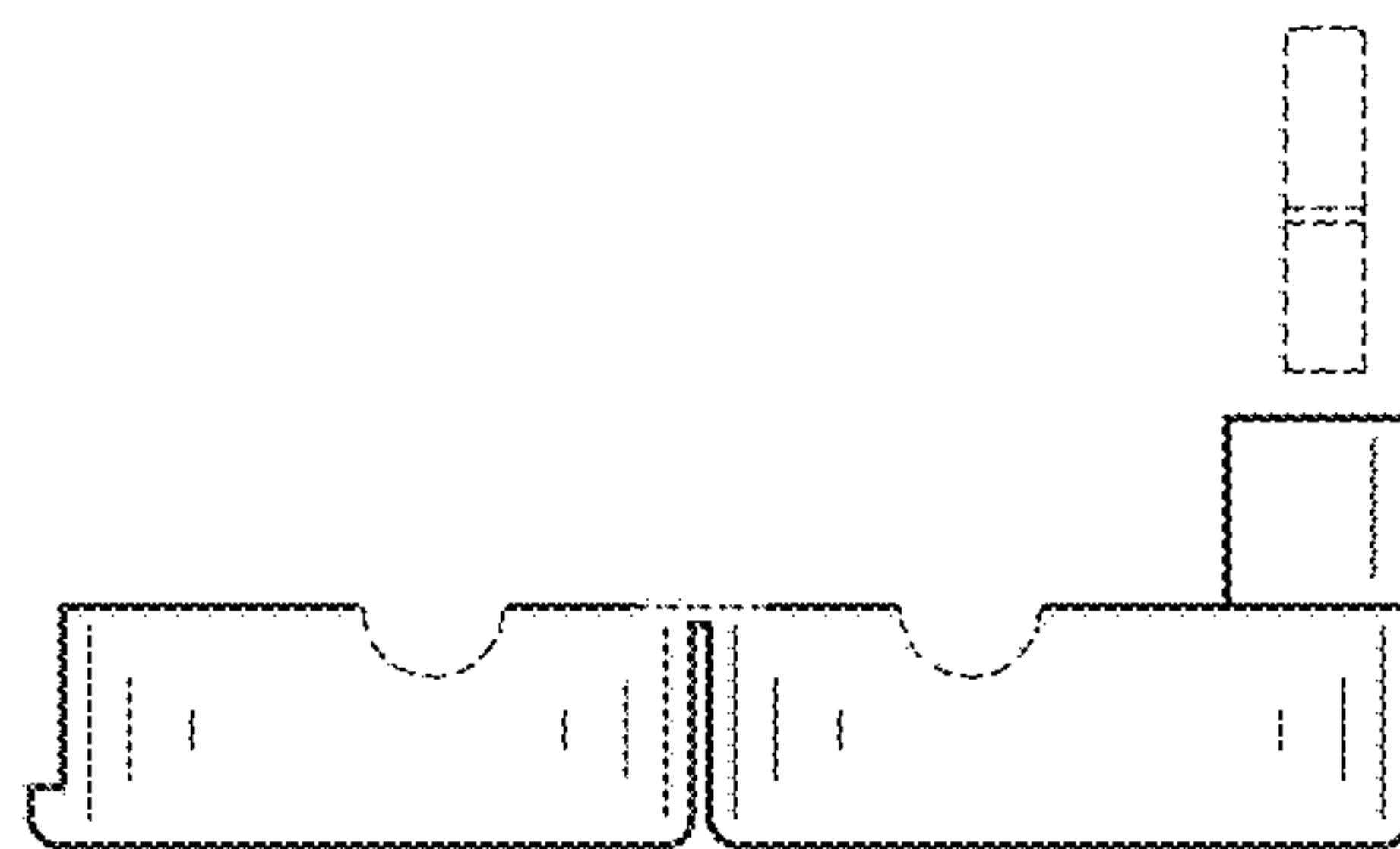


FIG. 5

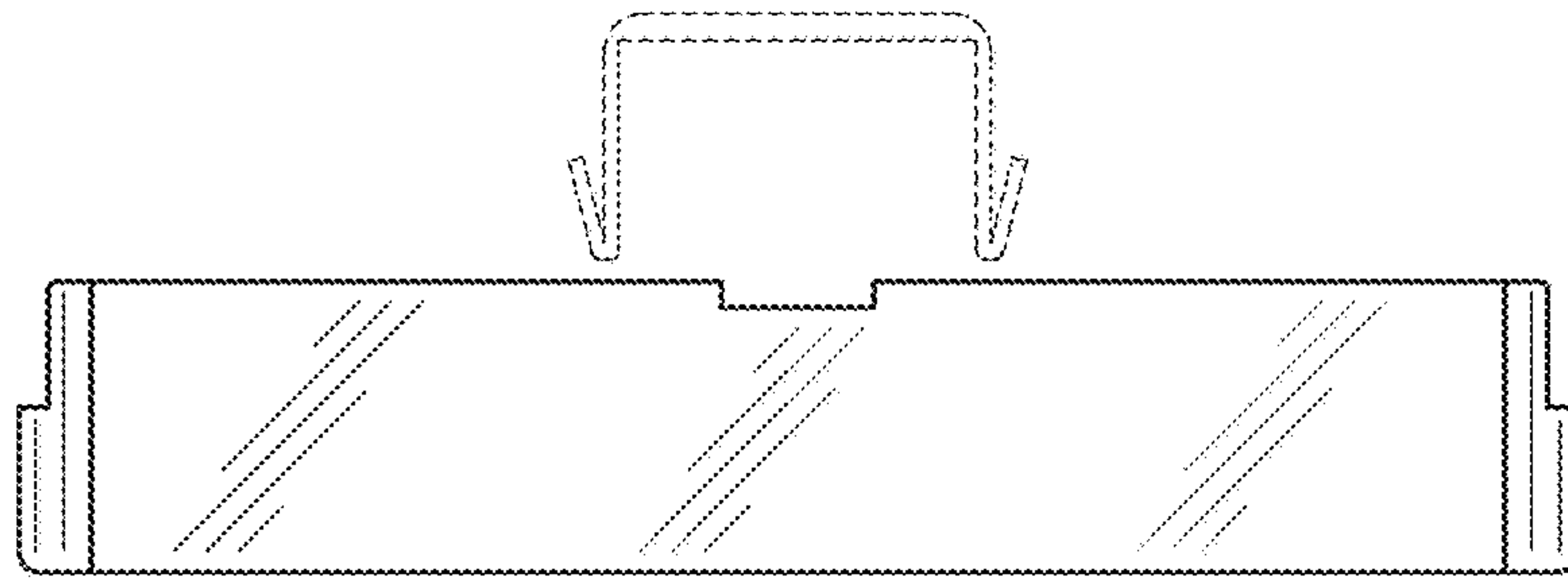


FIG. 6

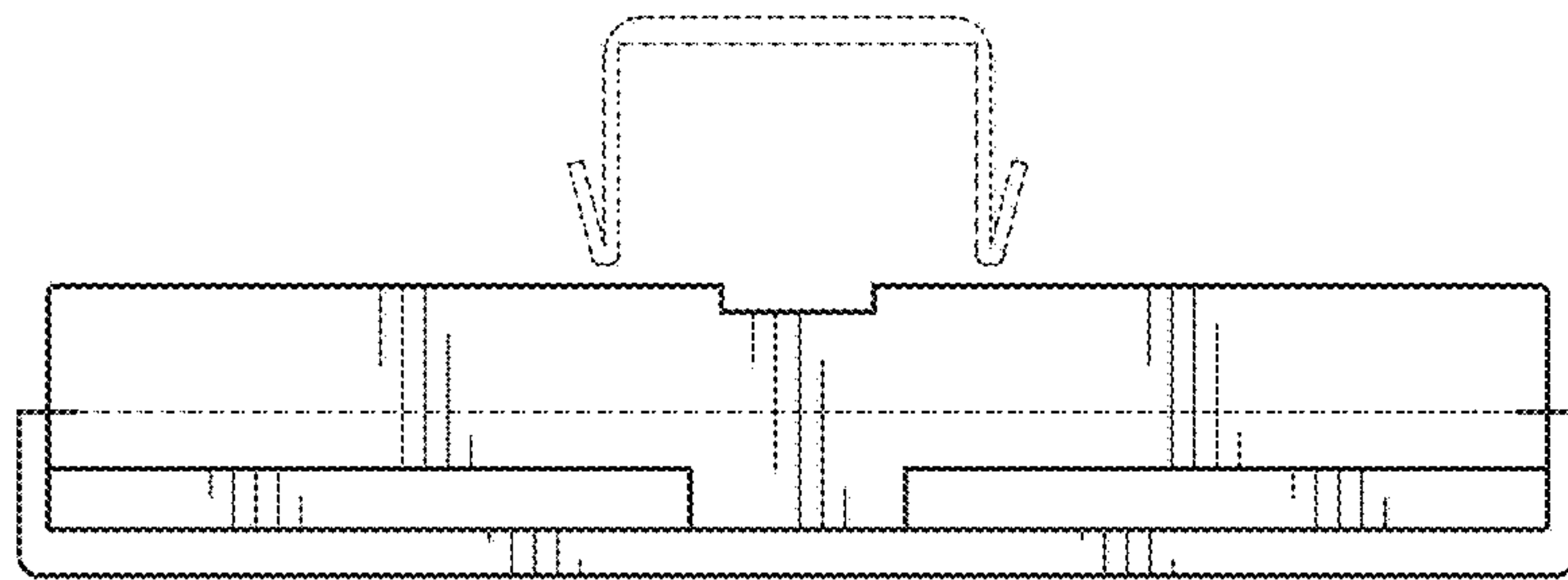


FIG. 7

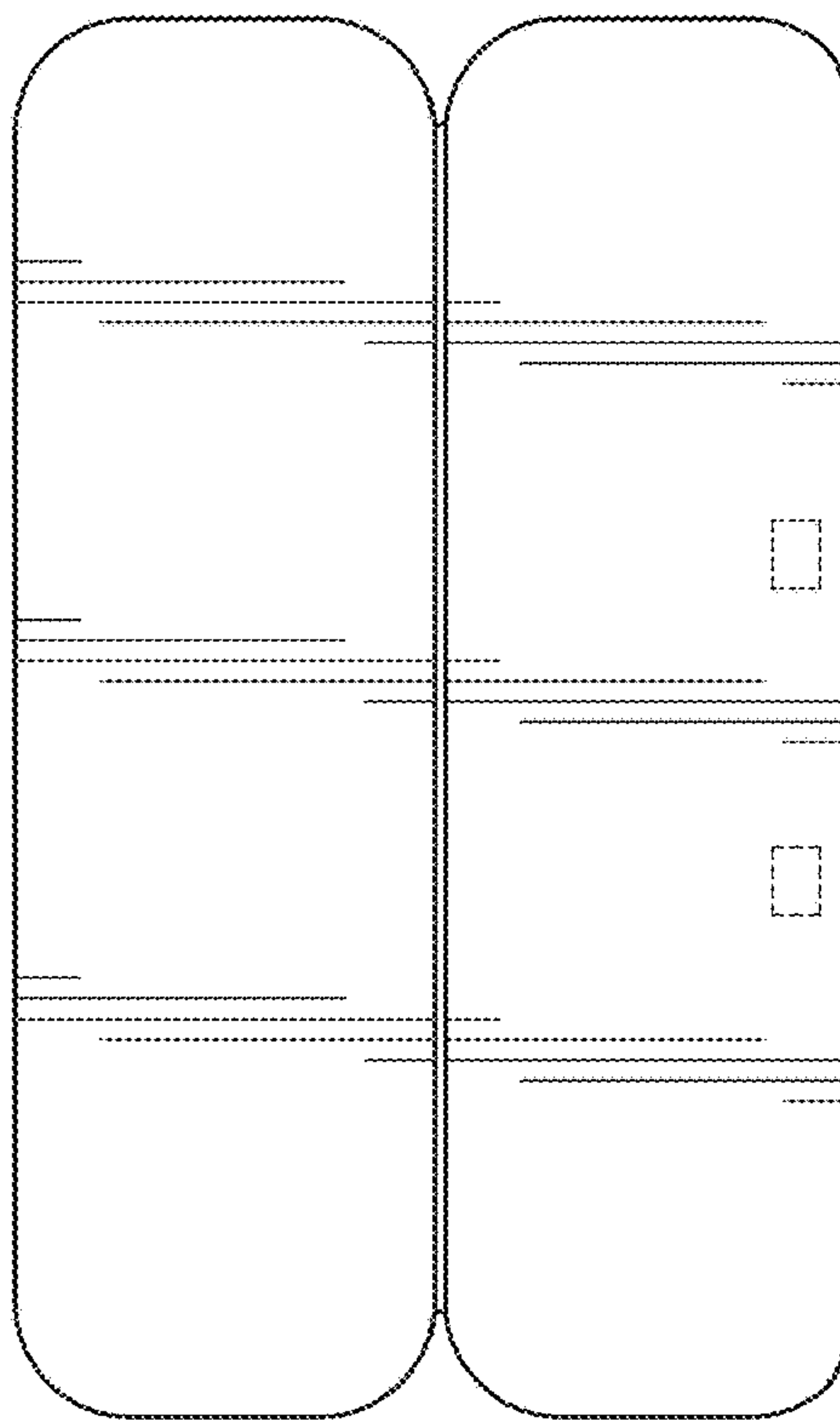


FIG. 8

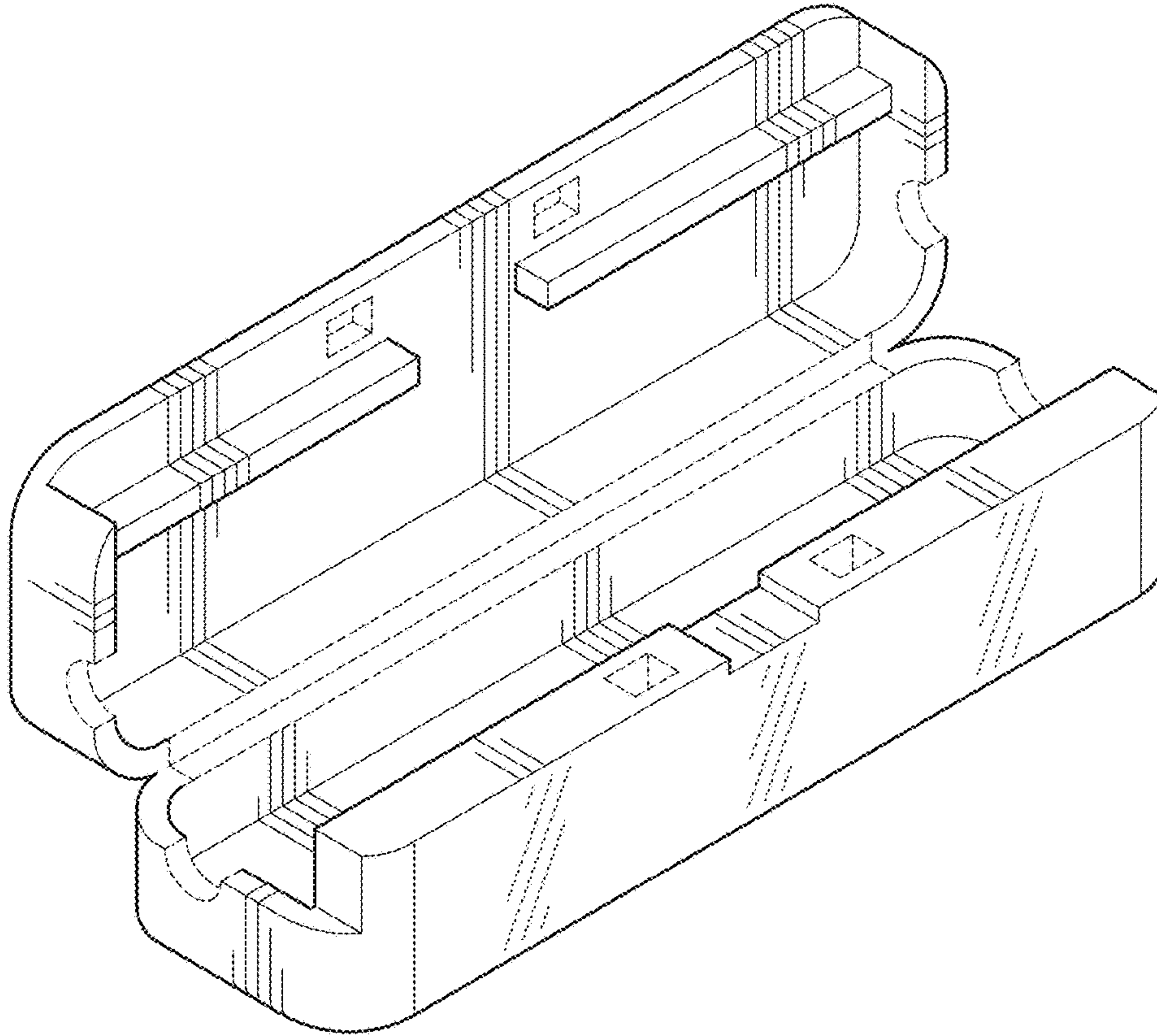


FIG. 9

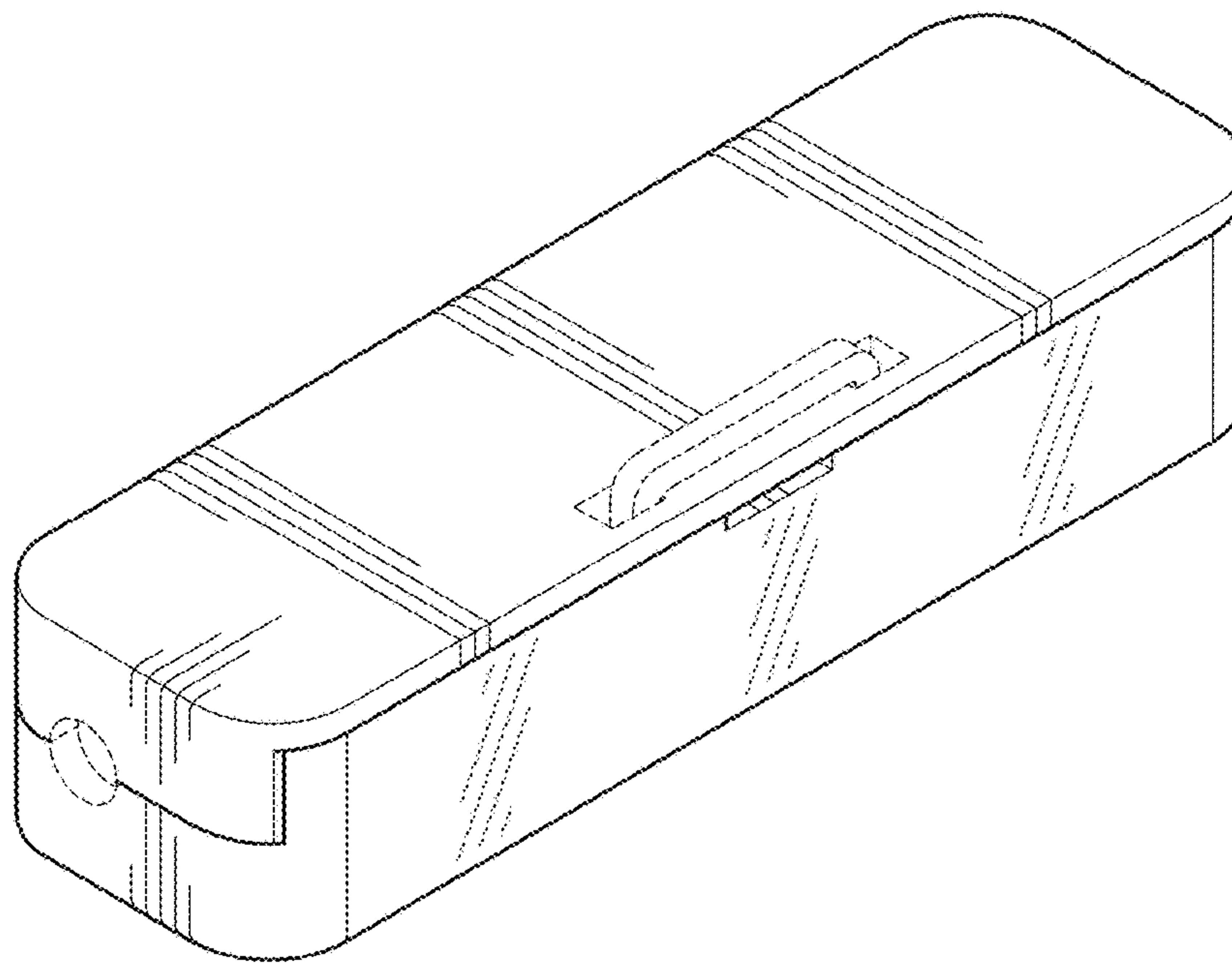


FIG. 10