



US00D826869S

(12) **United States Design Patent**
Sakurai et al.

(10) **Patent No.:** **US D826,869 S**

(45) **Date of Patent:** **** Aug. 28, 2018**

(54) **ELECTROMAGNETIC CONTACTOR**

(71) Applicant: **FUJI ELECTRIC FA COMPONENTS & SYSTEMS CO., LTD.**, Tokyo (JP)

(72) Inventors: **Yuya Sakurai**, Tokyo (JP); **Yasuhiro Naka**, Tokyo (JP); **Hideo Adachi**, Tokyo (JP); **Yuji Shiba**, Tokyo (JP); **Yuki Tashima**, Tokyo (JP)

(73) Assignee: **FUJI ELECTRIC FA COMPONENTS & SYSTEMS CO., LTD.**, Tokyo (JP)

(**) Term: **15 Years**

(21) Appl. No.: **29/608,024**

(22) Filed: **Jun. 19, 2017**

(30) **Foreign Application Priority Data**

Apr. 14, 2017 (JP) 2017-008016

(51) **LOC (11) Cl.** **13-03**

(52) **U.S. Cl.**
USPC **D13/159**

(58) **Field of Classification Search**
USPC D13/110, 118, 123, 133, 154, 158-160, D13/173, 14, 199
CPC .. H01H 1/00; H01H 1/06; H01H 3/00; H01H 3/02; H01H 3/04; H01H 9/00; H01H 9/02; H01H 50/54; H01H 51/00; H01H 67/02; H01H 71/00; H01H 71/02; H01H 71/06; H01H 33/00; H01H 33/60
See application file for complete search history.

(56) **References Cited**

U.S. PATENT DOCUMENTS

D296,433 S * 6/1988 Mizuno D13/159
D317,438 S * 6/1991 Sako D13/159

D656,900 S * 4/2012 Suzuki D13/159
D656,901 S * 4/2012 Suzuki D13/159
D656,902 S * 4/2012 Suzuki D13/159
D656,903 S * 4/2012 Suzuki D13/159
D656,904 S * 4/2012 Suzuki D13/159
D657,749 S * 4/2012 Suzuki D13/159
D690,660 S * 10/2013 Suzuki D13/159
D729,747 S * 5/2015 Suzuki D13/159
D787,449 S * 5/2017 Tashima D13/159
2010/0105226 A1 * 4/2010 Gong H01R 13/64
439/135
2012/0175345 A1 * 7/2012 Tachikawa H01H 9/443
218/26
2015/0022293 A1 * 1/2015 Naka H01H 50/023
335/153

* cited by examiner

Primary Examiner — Patricia A Palasik

(74) *Attorney, Agent, or Firm* — Ladas & Parry LLP

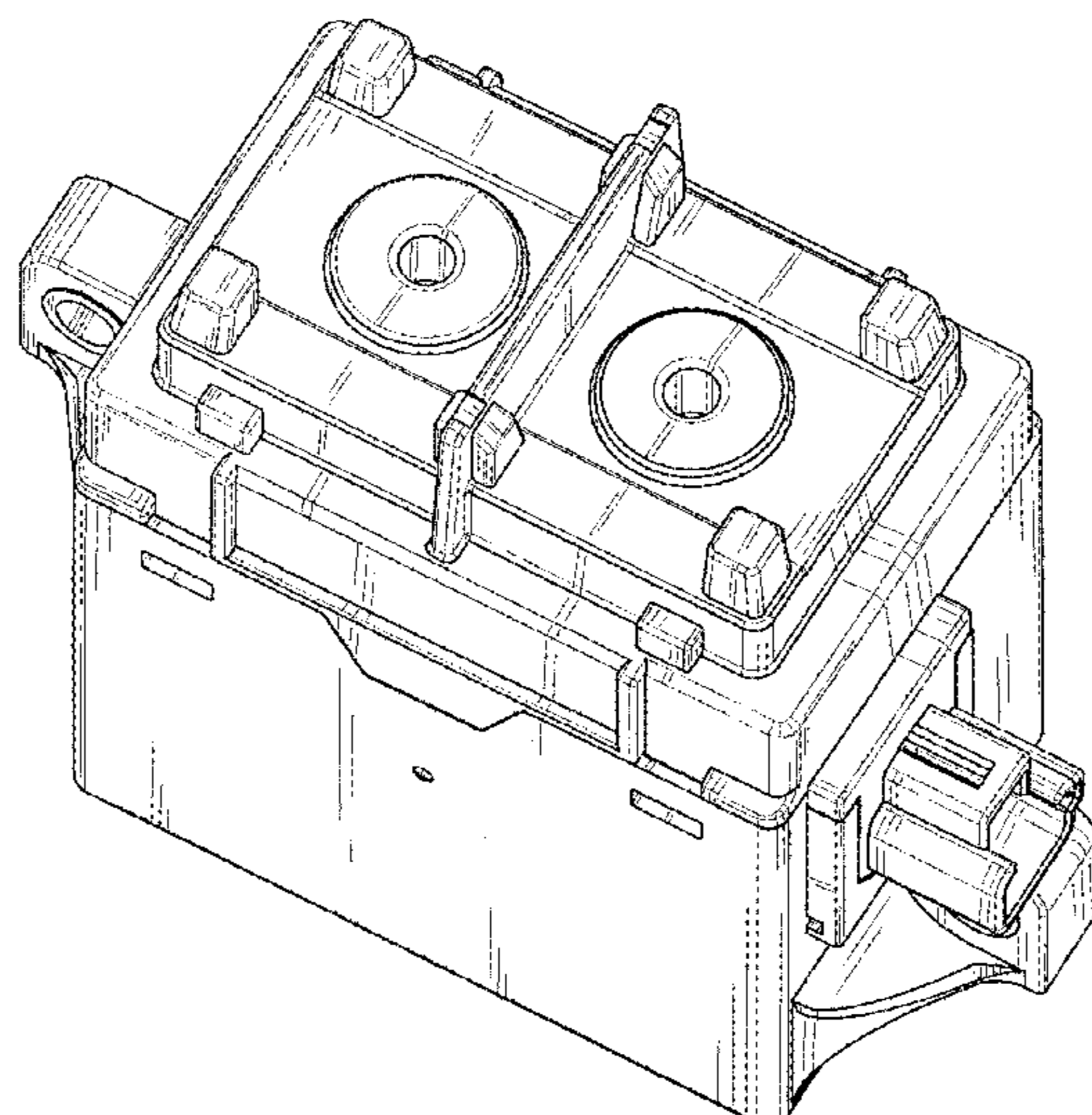
(57) **CLAIM**

The ornamental design for an electromagnetic contactor, as show and described.

DESCRIPTION

FIG. 1 is a perspective view from the front, top, and right side of the electromagnetic contactor embodying our new design;
FIG. 2 is a perspective view from the front, top and left side thereof;
FIG. 3 is a perspective view from the bottom, rear and right side thereof;
FIG. 4 is a front elevational view thereof;
FIG. 5 is a rear elevational view thereof;
FIG. 6 is a top plan view thereof;
FIG. 7 is a bottom plan view thereof;
FIG. 8 is a right side view thereof; and,
FIG. 9 is a left side view thereof.

1 Claim, 9 Drawing Sheets



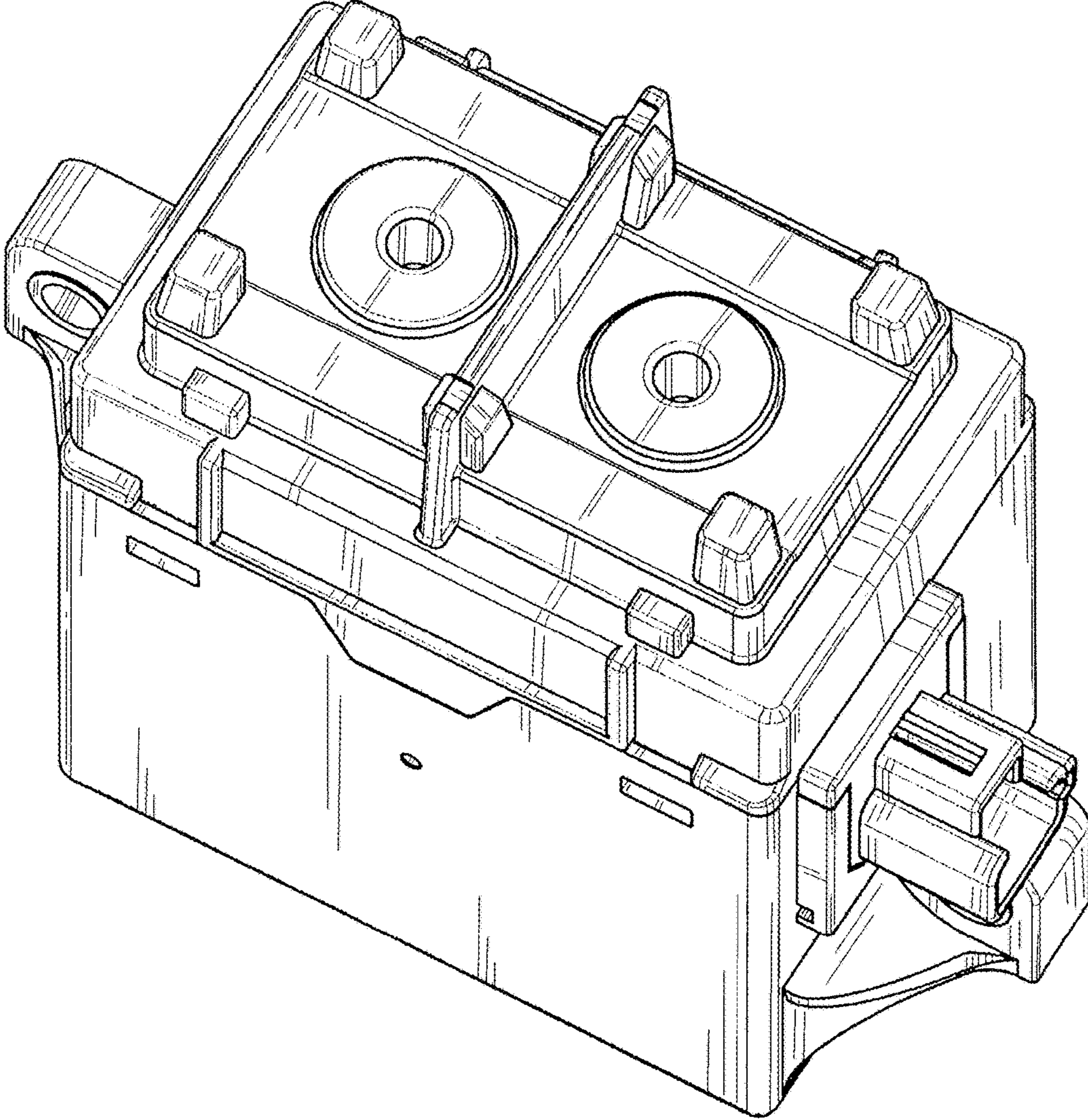


FIG. 1

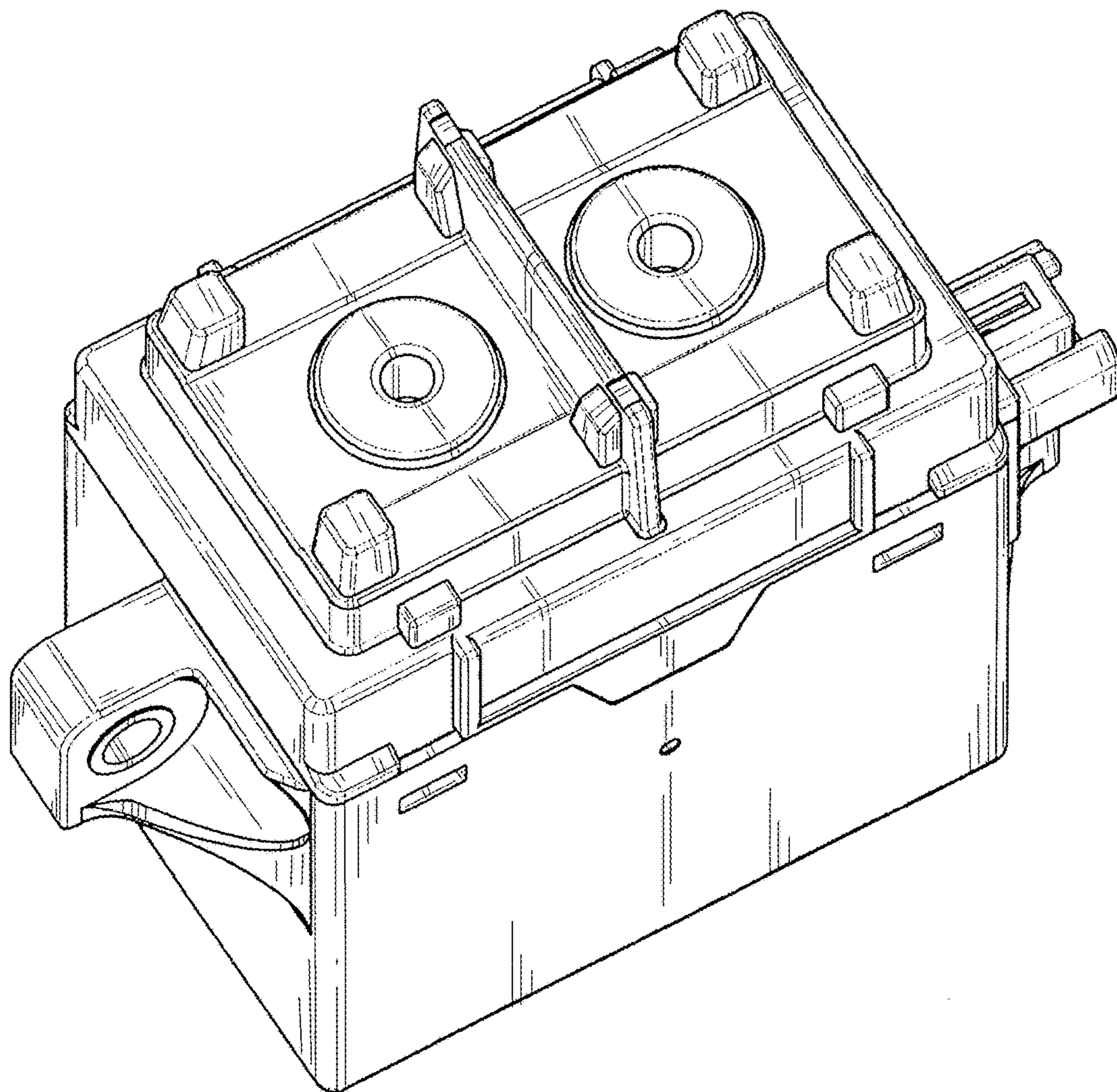


FIG. 2

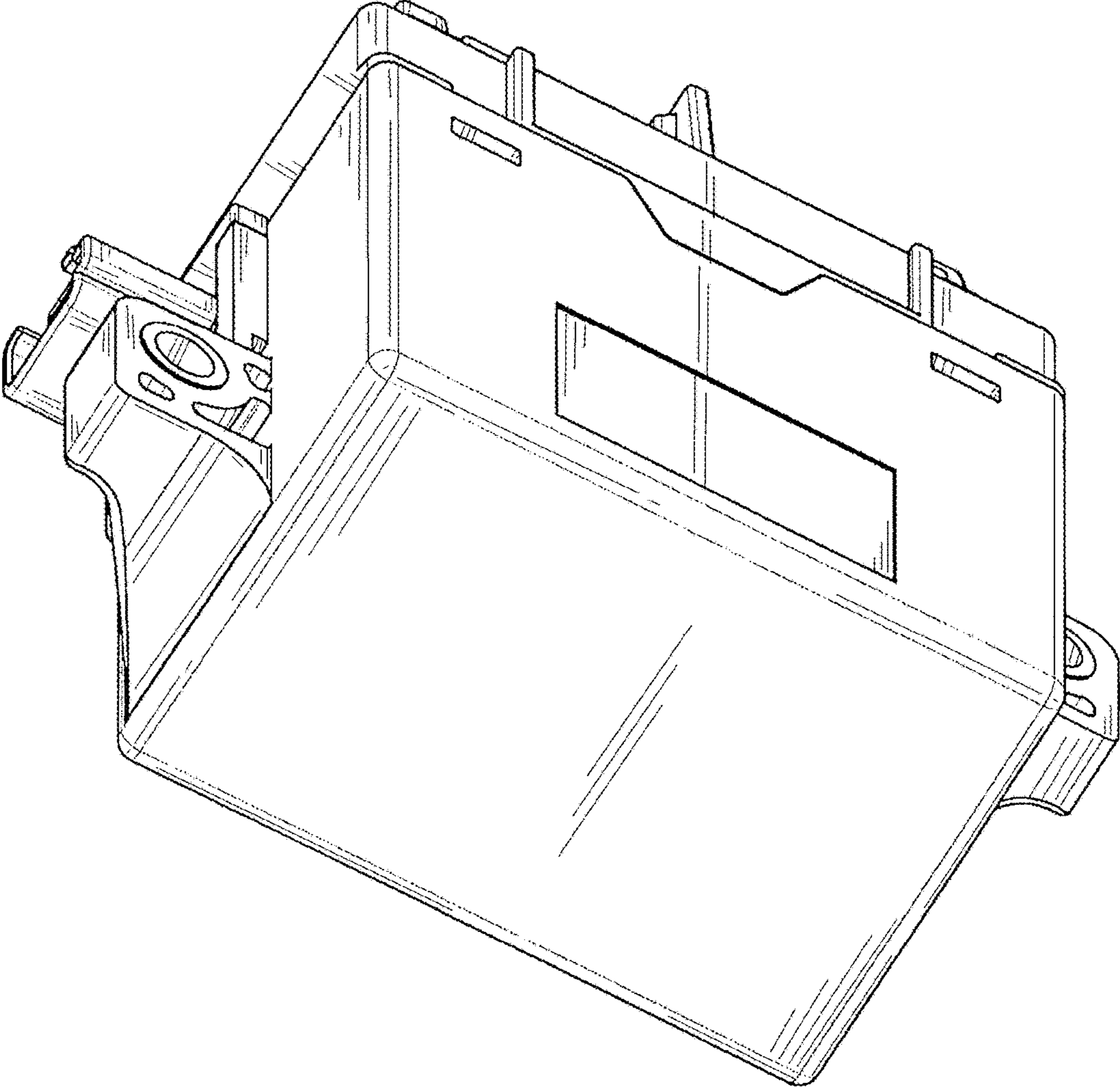


FIG. 3

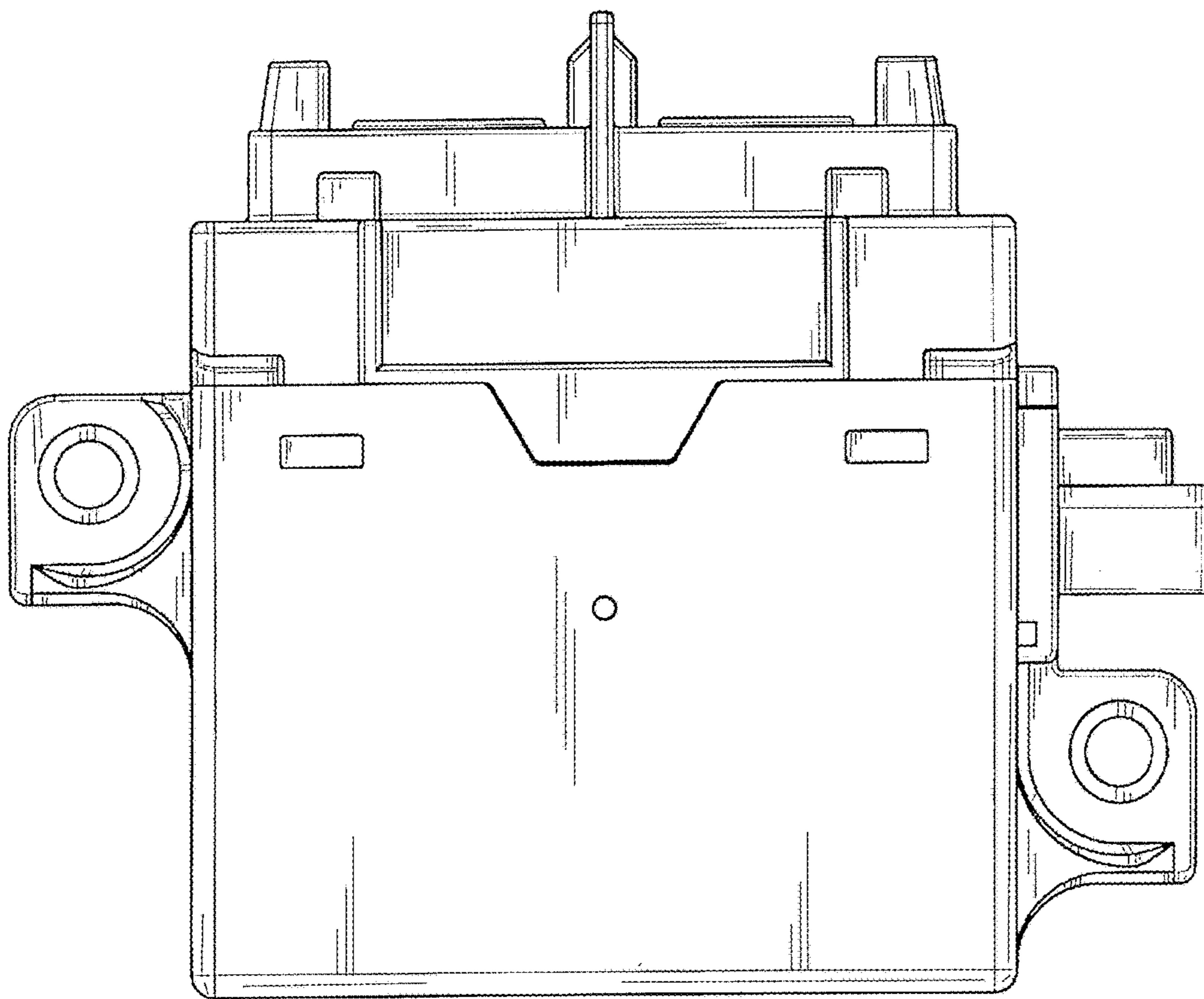


FIG. 4

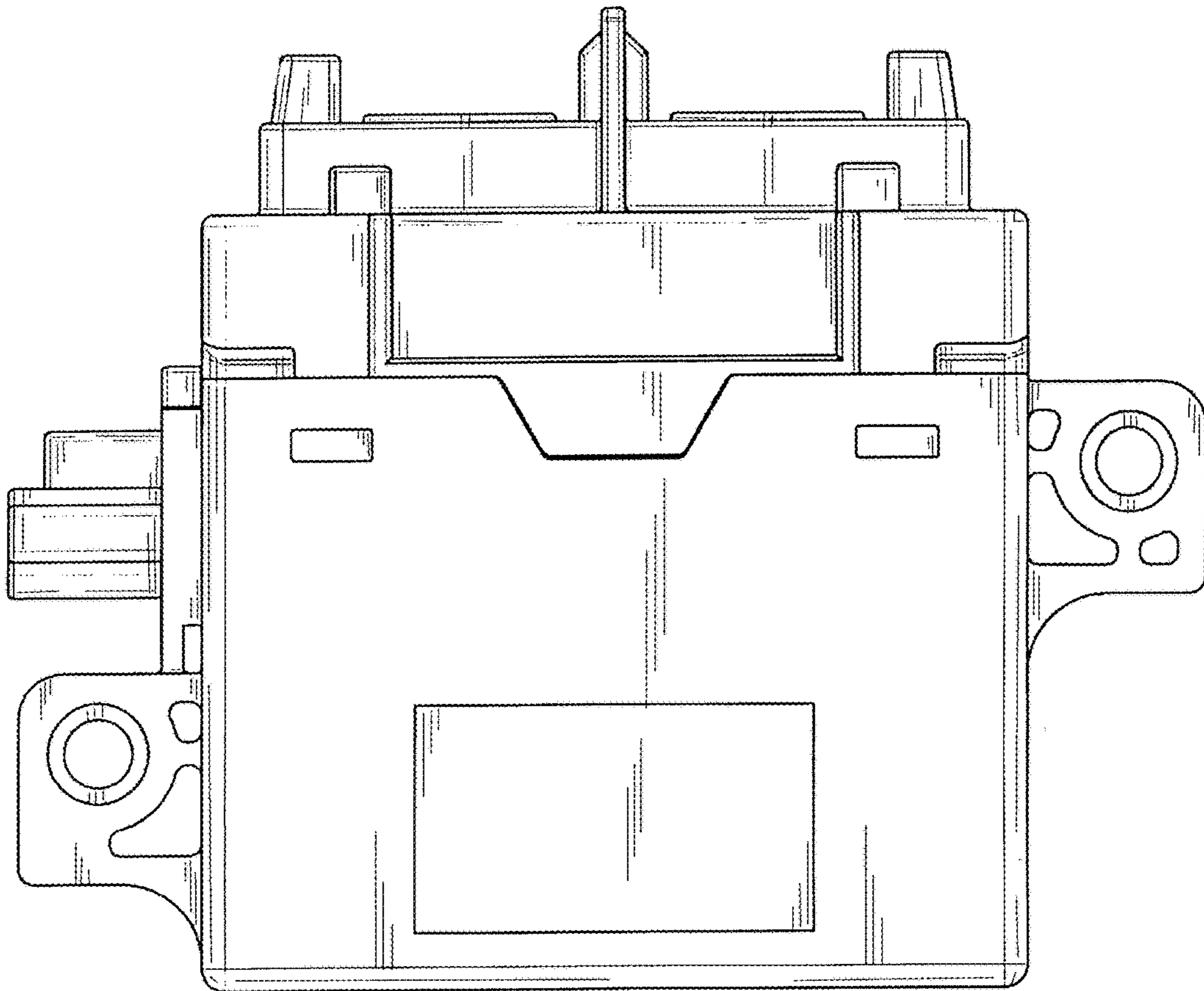


FIG. 5

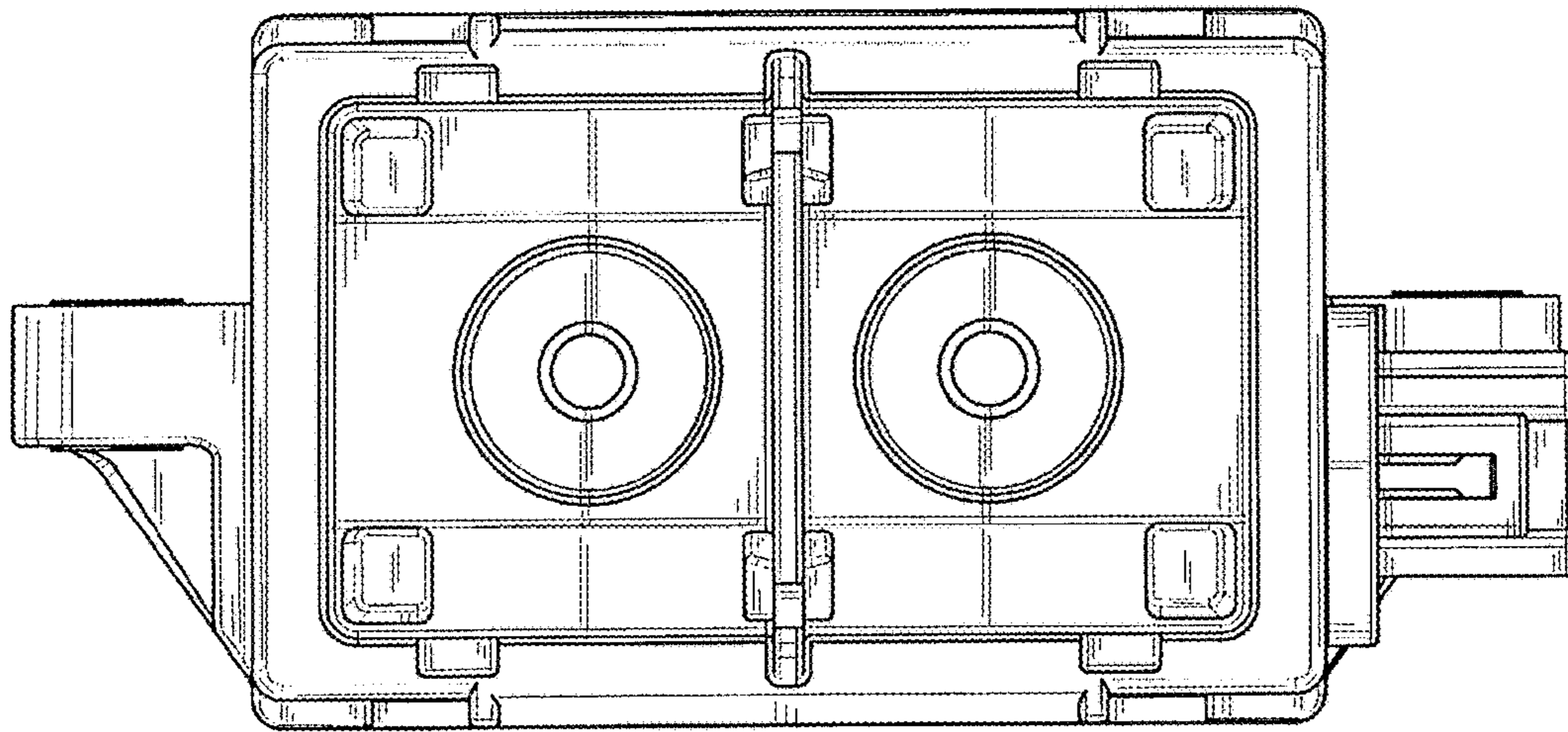


FIG. 6

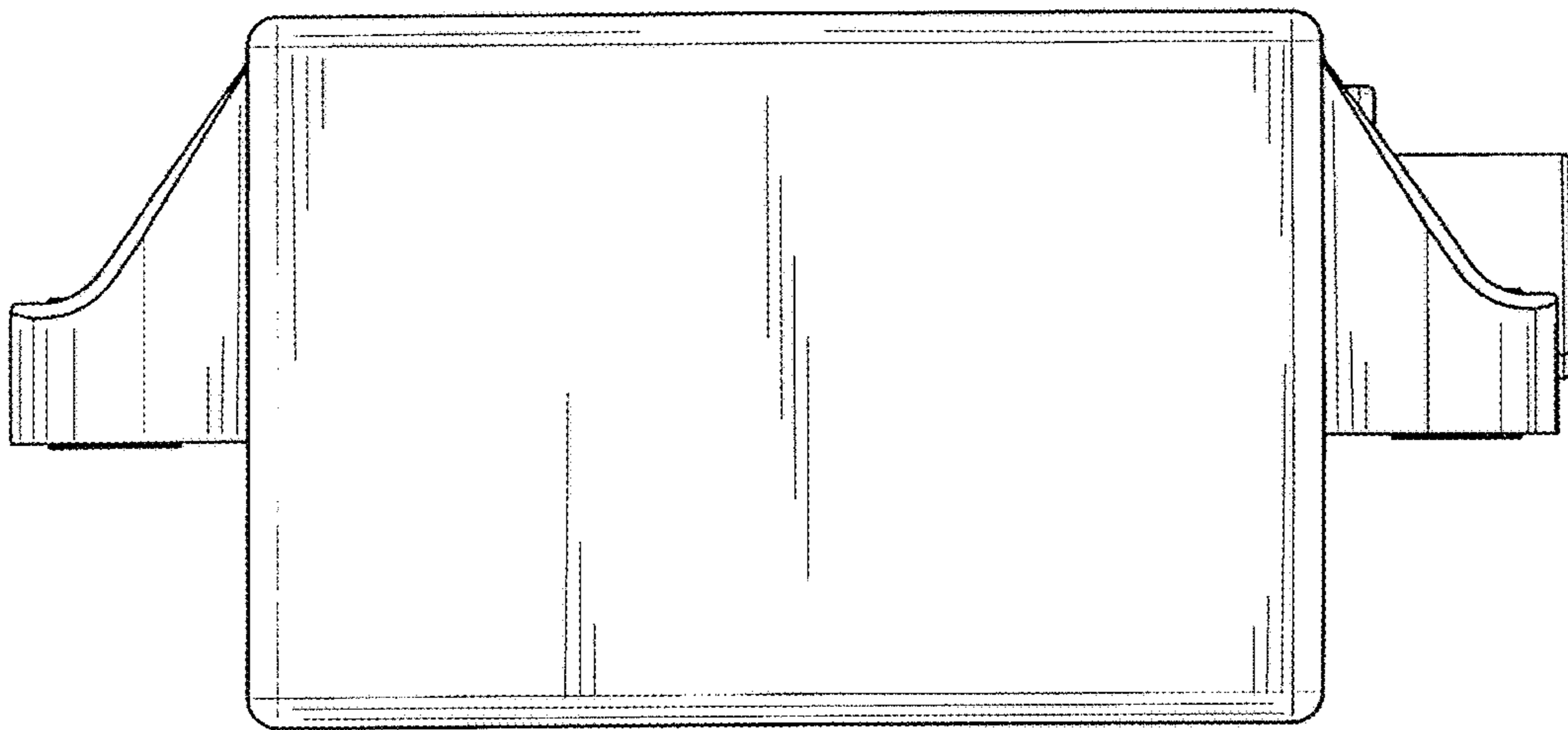


FIG. 7

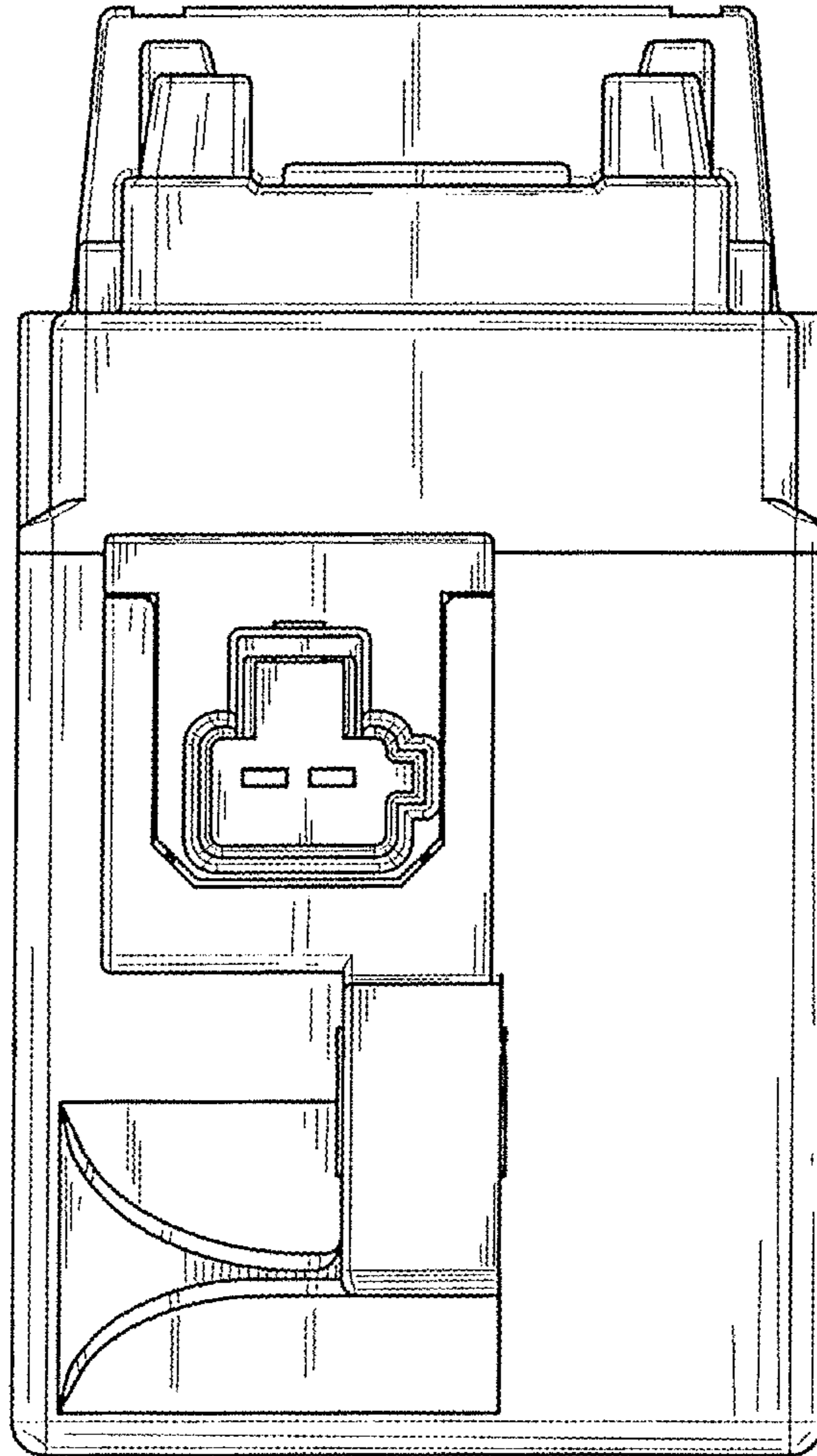


FIG. 8

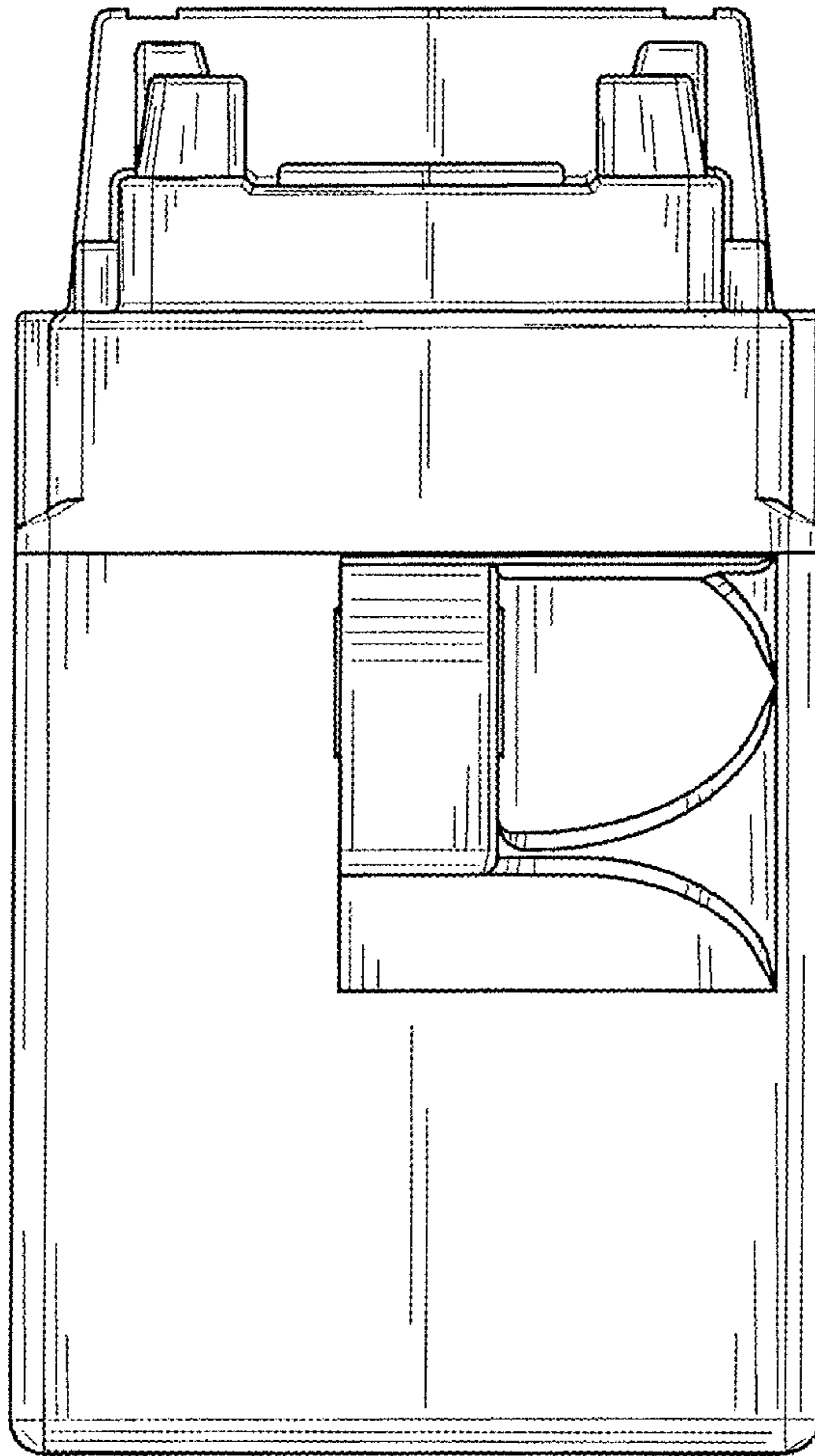


FIG. 9