



US00D826867S

(12) **United States Design Patent** (10) **Patent No.:** **US D826,867 S**
Pausan et al. (45) **Date of Patent:** **** Aug. 28, 2018**

(54) **FIBER OPTIC CABLE**

7,539,380 B1 5/2009 Abernathy et al.
8,023,787 B2 9/2011 Katsuya et al.
D652,803 S * 1/2012 Gouhl D13/146
(Continued)

(71) Applicant: **CommScope Technologies LLC**,
Hickory, NC (US)

(72) Inventors: **Norin Paul Pausan**, Rhyl (GB); **David John Walker**, Runcorn (GB); **Kevin Vincent Bate**, Warrington (GB)

FOREIGN PATENT DOCUMENTS

CN 202522741 U 11/2012
CN 203025396 U 6/2013
(Continued)

(73) Assignee: **CommScope Technologies LLC**,
Hickory, NC (US)

OTHER PUBLICATIONS

(**) Term: **15 Years**

“Fiber Optics Medical Lights Guides”. Found online Mar. 31, 2018 at www.fiberopticstech.com. Retrieved from https://web.archive.org/web/20130627091856/http://www.fiberopticstech.com/products/fiber_optic_medical_light_guides.php.*

(21) Appl. No.: **29/600,662**

(Continued)

(22) Filed: **Apr. 13, 2017**

(51) **LOC (11) Cl.** **13-03**

(52) **U.S. Cl.**
USPC **D13/153**

(58) **Field of Classification Search**
USPC D13/133, 146, 147, 153, 154; D8/354, D8/356; D24/197
CPC ... G02B 6/00; G02B 6/02; G02B 6/25; G02B 6/26; G02B 6/36; G02B 6/38; G02B 6/44; G02B 6/245; G02B 6/255; G01M 11/00

Primary Examiner — Manpreet S Matharu
Assistant Examiner — Jennifer M Campbell
(74) *Attorney, Agent, or Firm* — Muncy, Geissler, Olds & Lowe, P.C.

See application file for complete search history.

(57) **CLAIM**

The ornamental design for a fiber optic cable, as shown and described.

(56) **References Cited**

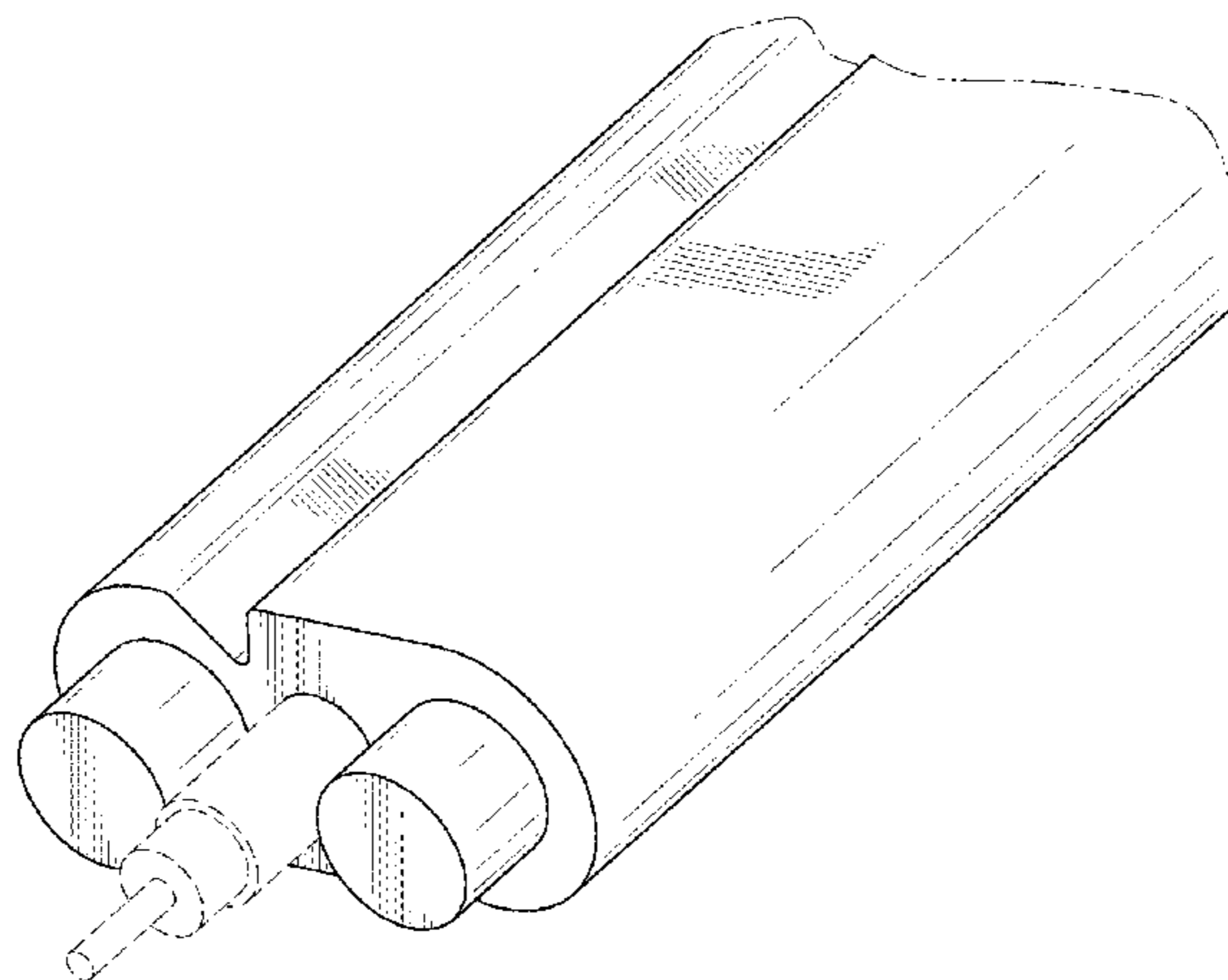
DESCRIPTION

U.S. PATENT DOCUMENTS

D249,502 S * 9/1978 Rink D13/147
4,467,138 A 8/1984 Brorein
4,729,628 A 3/1988 Kraft et al.
D300,820 S * 4/1989 Orbanic D13/147
5,751,876 A * 5/1998 Ikesugi G02B 6/3887
385/137
D432,085 S * 10/2000 Huang D13/147
D435,018 S * 12/2000 Hwang D13/147
6,493,491 B1 12/2002 Shen et al.
D495,659 S * 9/2004 Shimaya D13/147
D503,150 S * 3/2005 Yamawaki D13/147
7,171,087 B2 1/2007 Takahashi

FIG. 1 is a top, front perspective view of a fiber optic cable, showing our new design;
FIG. 2 is a bottom, front perspective view thereof;
FIG. 3 is a front view thereof;
FIG. 4 is a left side view thereof;
FIG. 5 is a right side view thereof;
FIG. 6 is a top plan view thereof; and,
FIG. 7 is a bottom plan view thereof.
In the drawings, the evenly-spaced broken lines represent unclaimed subject matter and form no part of the claimed design. Additionally, the dash-dot-dash broken lines define the boundaries of the claimed design.

1 Claim, 5 Drawing Sheets



(56)

References Cited

U.S. PATENT DOCUMENTS

8,538,216 B2 9/2013 Abernathy et al.
8,712,200 B1 4/2014 Abernathy et al.
8,942,526 B2 1/2015 Lichtenwalner et al.
9,477,056 B2 10/2016 Abernathy et al.
2006/0291787 A1* 12/2006 Seddon G02B 6/4433
385/113
2014/0051268 A1* 2/2014 Wang H01R 13/6485
439/55

FOREIGN PATENT DOCUMENTS

JP 2002090593 A 3/2002
JP 2002328276 A 11/2002
JP 2006065288 A 3/2006
WO WO 2010/039530 A1 4/2010
WO WO 2015/109459 A1 7/2015
WO WO 2016/086894 A1 6/2016

OTHER PUBLICATIONS

“CommScope Intros Lazrspeed 550 Wide Band Multimode Fiber”.
Found online Mar. 31, 2018 at www.lightwaveonline.com. Page
dated Sep. 21, 2015. Retrieved from <http://www.lightwaveonline.com/articles/2015/09/commscope-intros-lazrspeed-550-wideband-multimode-fiber.html>.*

* cited by examiner

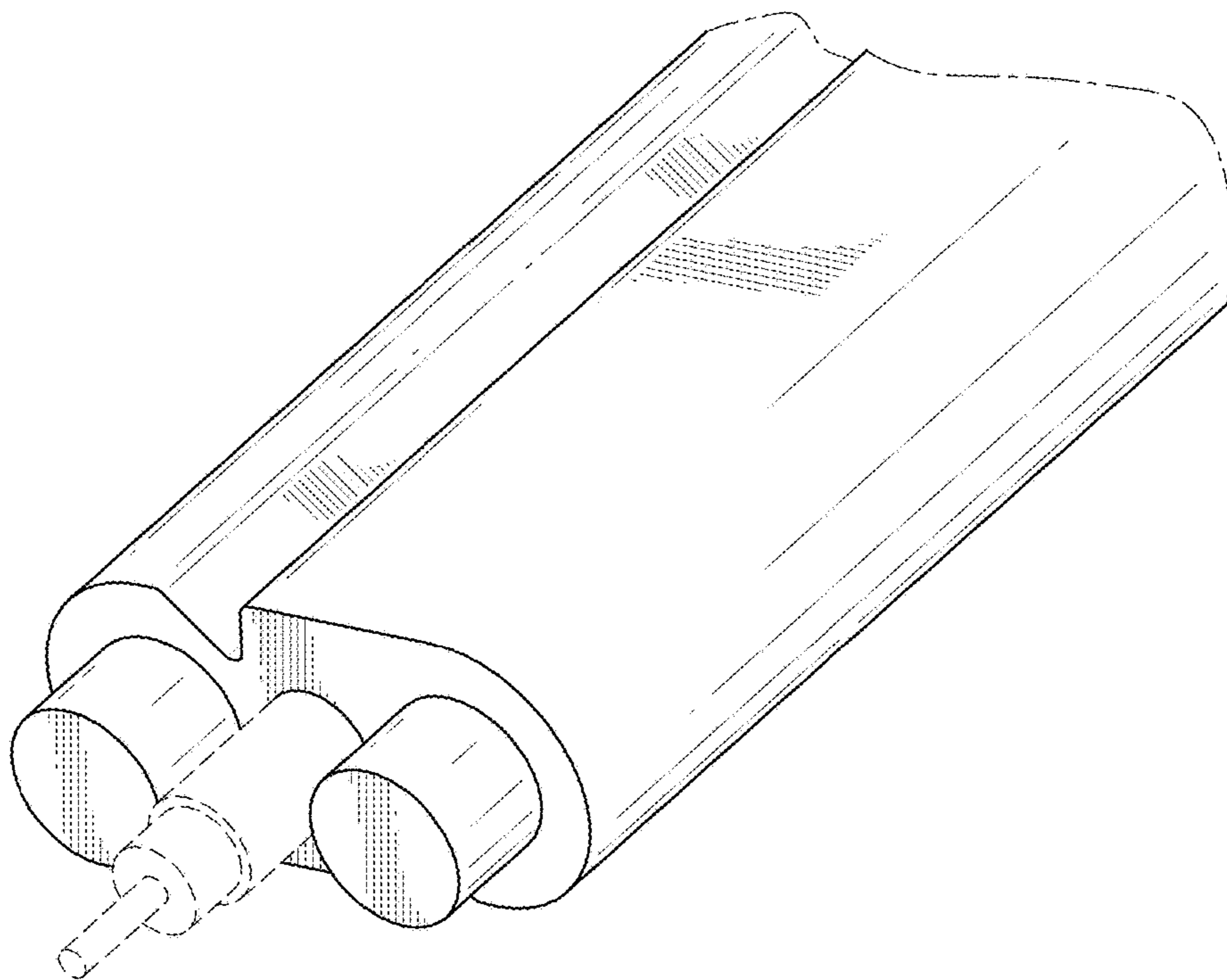


FIG.1

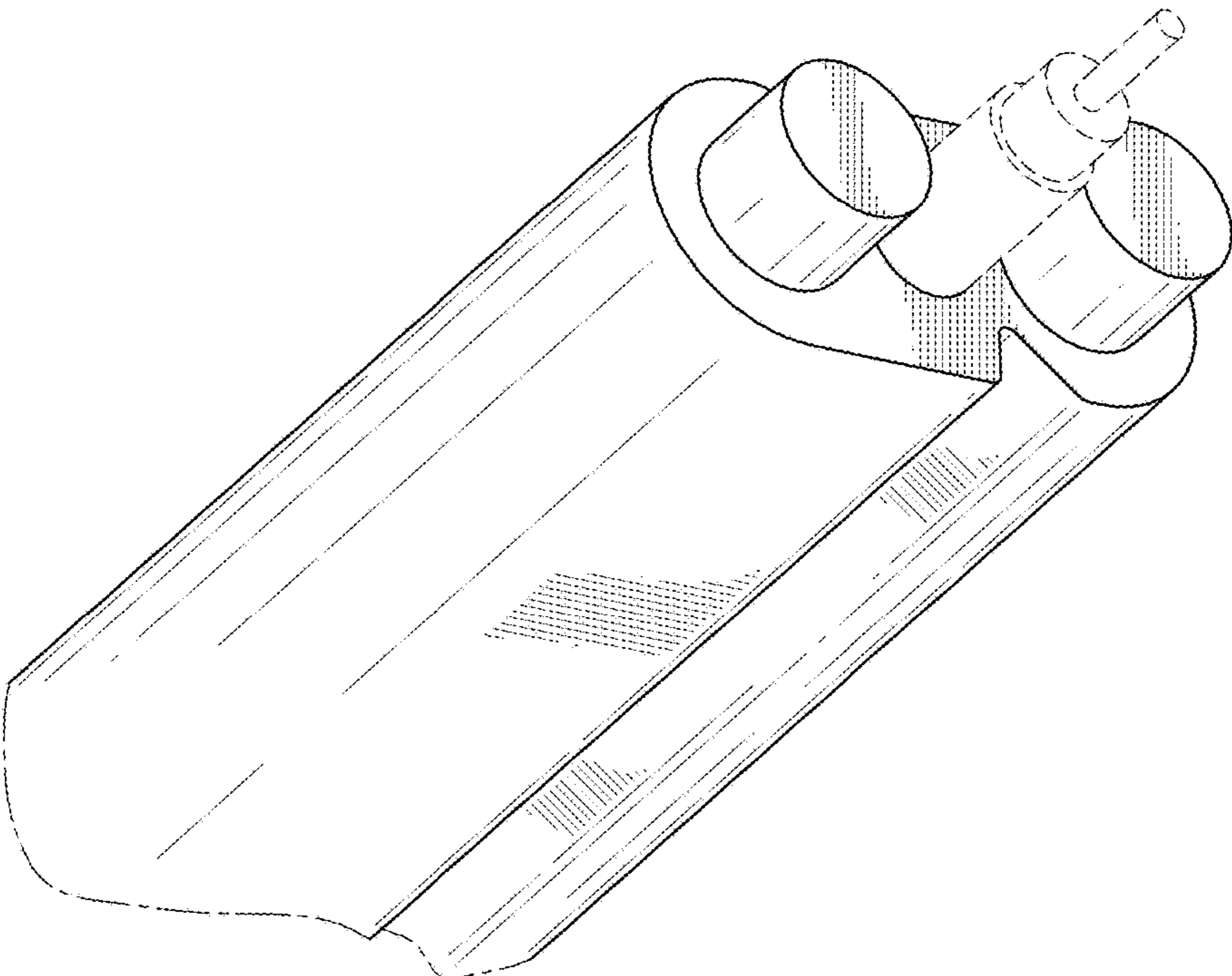


FIG.2

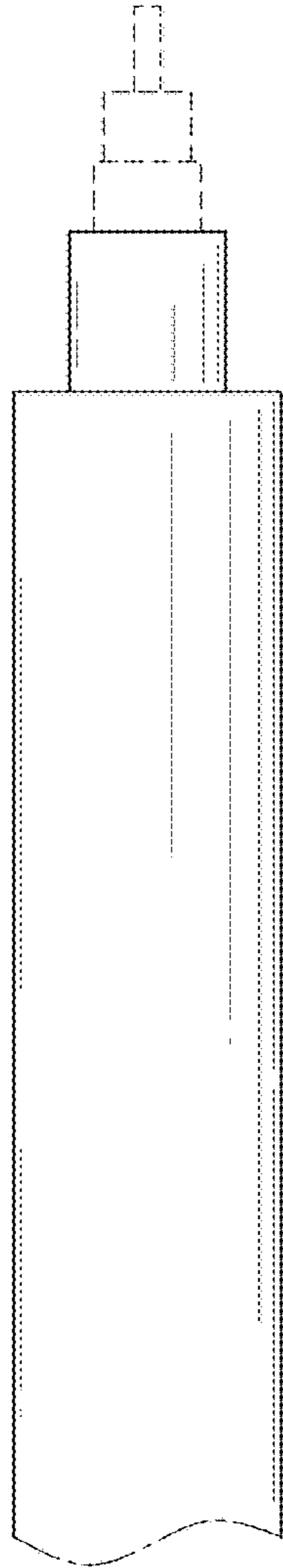


FIG. 4

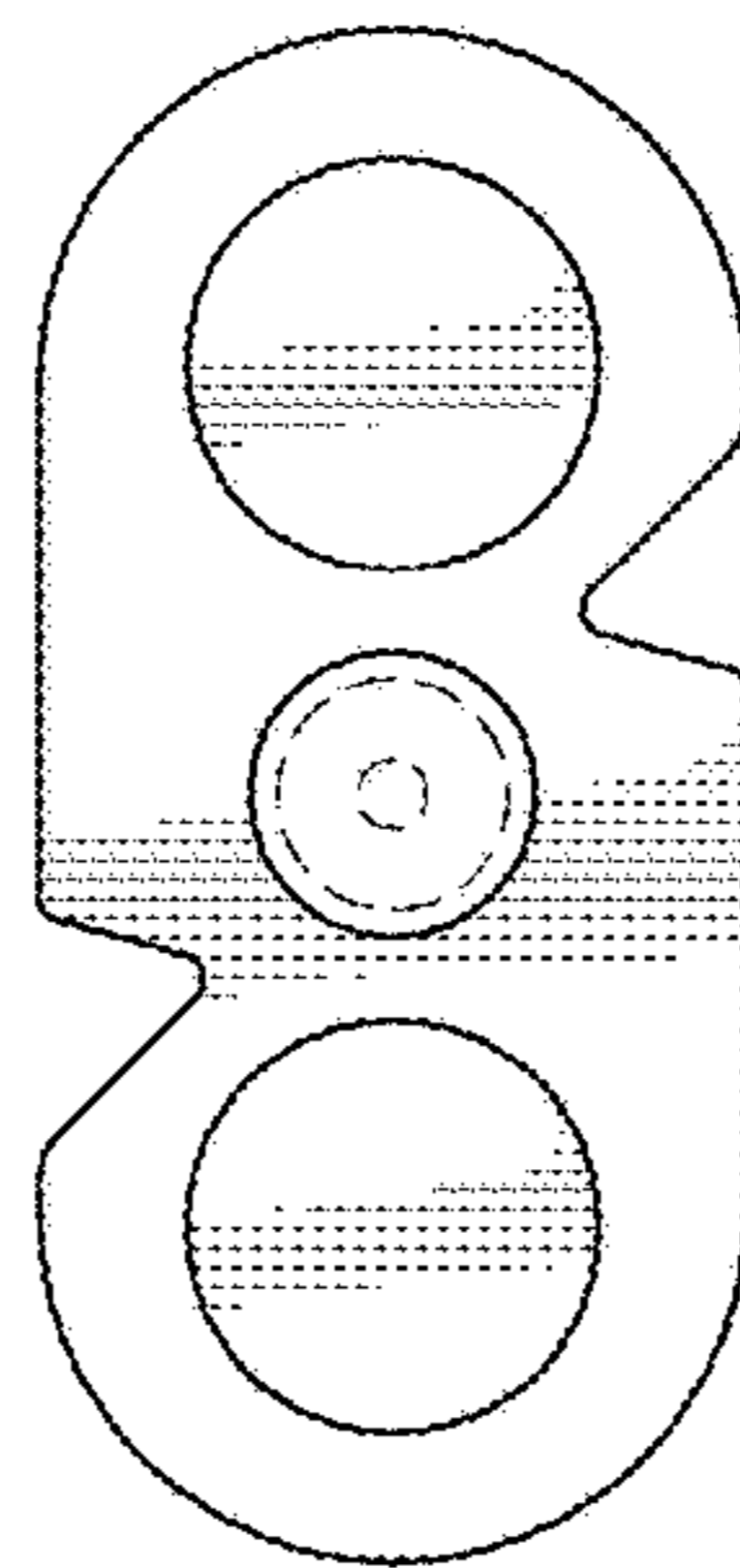


FIG. 3

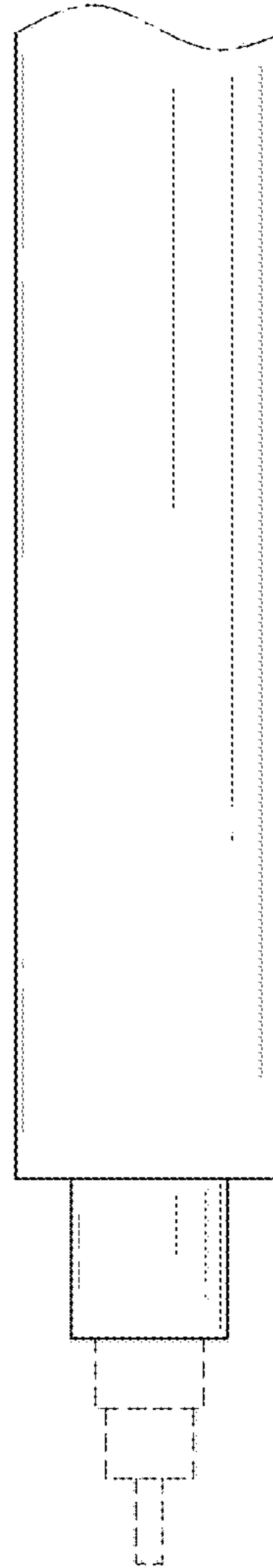


FIG. 5

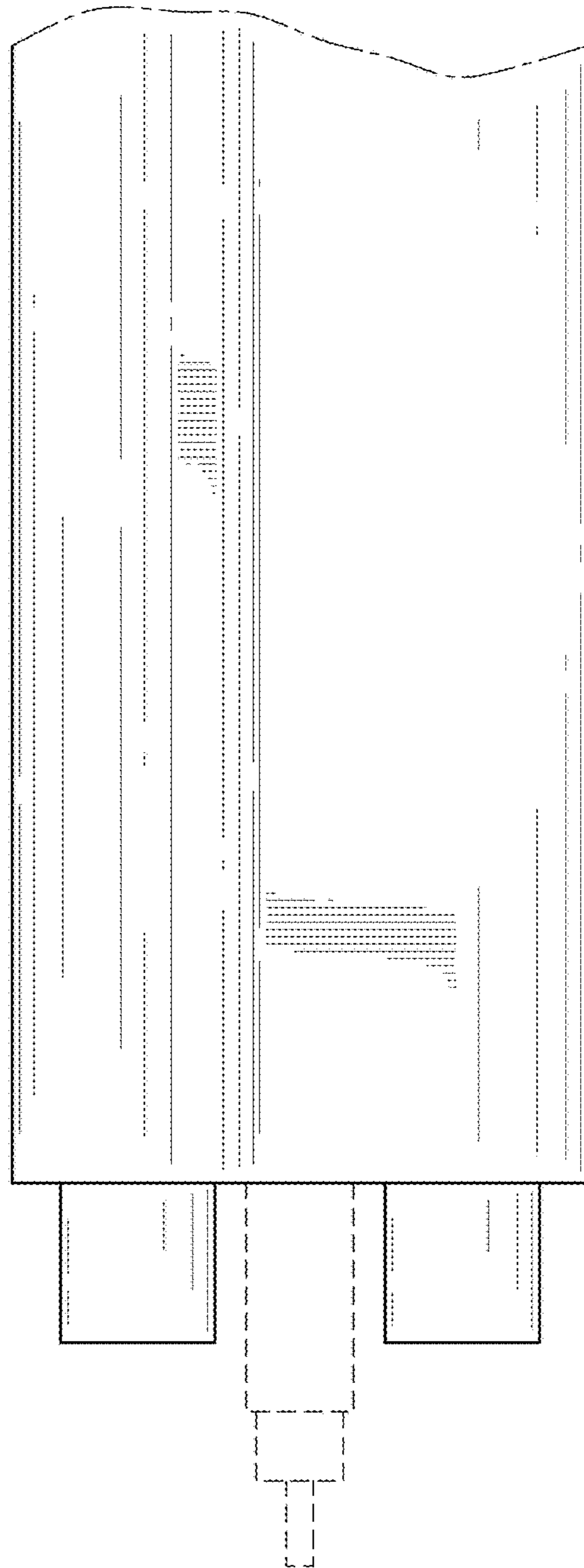


FIG.6

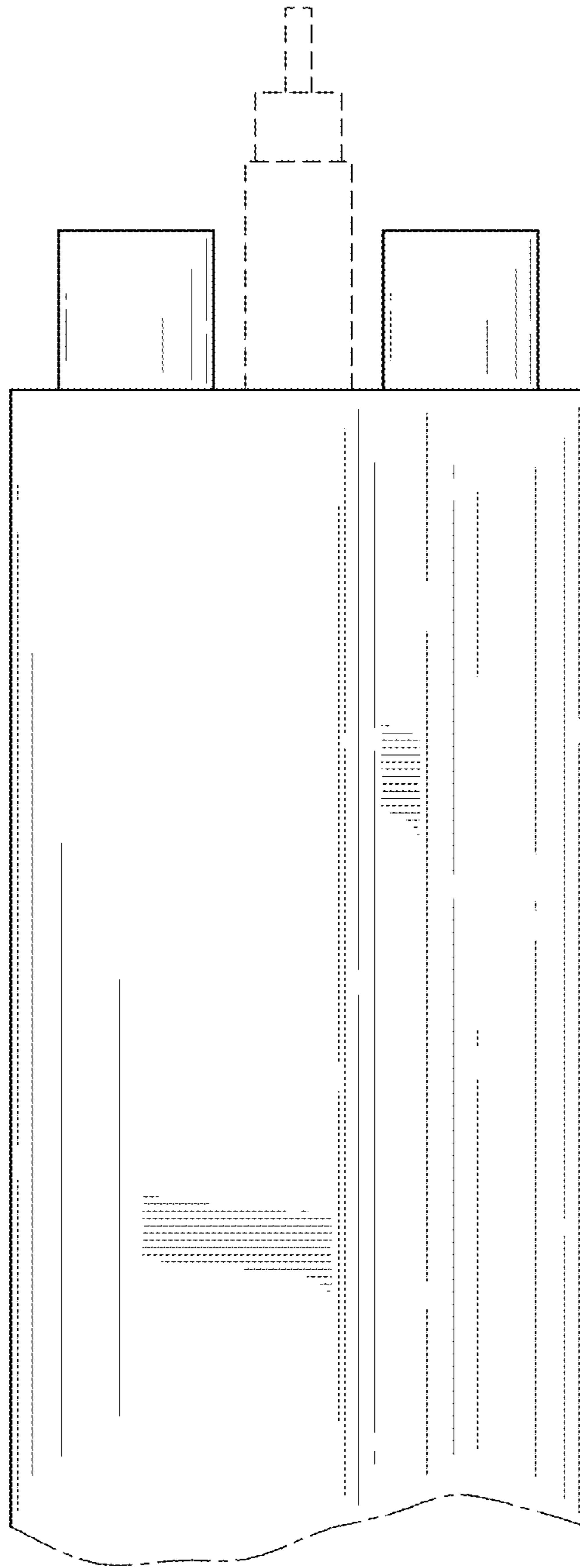


FIG.7