



US00D826866S

(12) **United States Design Patent** (10) **Patent No.:** **US D826,866 S**
Fawcett et al. (45) **Date of Patent:** **** Aug. 28, 2018**

(54) **COMBINED FLEXIBLE DOCKING CABLE AND SUPPORT FOR MOBILE DEVICE**

D793,344 S * 8/2017 Wang D13/153
D793,962 S * 8/2017 Vandiver D13/153
D804,291 S * 12/2017 Fawcett D8/356

(Continued)

(71) Applicant: **FUSE CHICKEN, LLC**, Cuyahoga Falls, OH (US)

(72) Inventors: **Jonathan Eric Fawcett**, Stow, OH (US); **Aaron Daniel Marshall**, Uniontown, OH (US)

(73) Assignee: **FUSE CHICKEN, LLC**, Cuyahoga Falls, OH (US)

(**) Term: **15 Years**

(21) Appl. No.: **29/591,675**

(22) Filed: **Jan. 23, 2017**

(51) **LOC (11) Cl.** **13-03**

(52) **U.S. Cl.**
USPC **D13/153**

(58) **Field of Classification Search**
USPC D13/103, 102, 107-108, 110, 118-119, D13/184, 154, 147, 133, 153, 146
CPC Y02E 60/12; Y02E 60/122; Y02E 60/124; Y02E 60/50; H01M 2/02; H01M 2/022; H01M 2/0202; H01M 2/0207; H01M 2/0212; H01M 2/1061; H01M 2/1022; H01M 2/1055; H01M 2/1066; H01M 2/105; H01M 2/204; H01M 10/4257; H01M 10/0436; H01M 10/48
See application file for complete search history.

(56) **References Cited**

U.S. PATENT DOCUMENTS

D628,537 S * 12/2010 Nagata D13/147
D680,077 S * 4/2013 Richards D13/147
D763,197 S * 8/2016 Beck D13/153
9,559,534 B2 * 1/2017 Lee H01R 13/70
D784,267 S * 4/2017 Vose D13/153
D784,931 S * 4/2017 Fries D13/153
9,660,396 B2 * 5/2017 Chen H01R 13/7175

OTHER PUBLICATIONS

[Fuse]Chicken (Fuse Chicken, LLC), The World's Most Flexible Docks for iPhone and Apple Watch, webpage <http://www.fusechicken.com/collections/bobine>, Oct. 3, 2016, 2 pages, Fuse Chicken, LLC, Cuyahoga Falls, OH, USA Copyright 2016.

Primary Examiner — Jennifer Rivard

Assistant Examiner — Alison M Ofstun

(74) *Attorney, Agent, or Firm* — Christopher C. Dremann, P.C.; Christopher C. Dremann

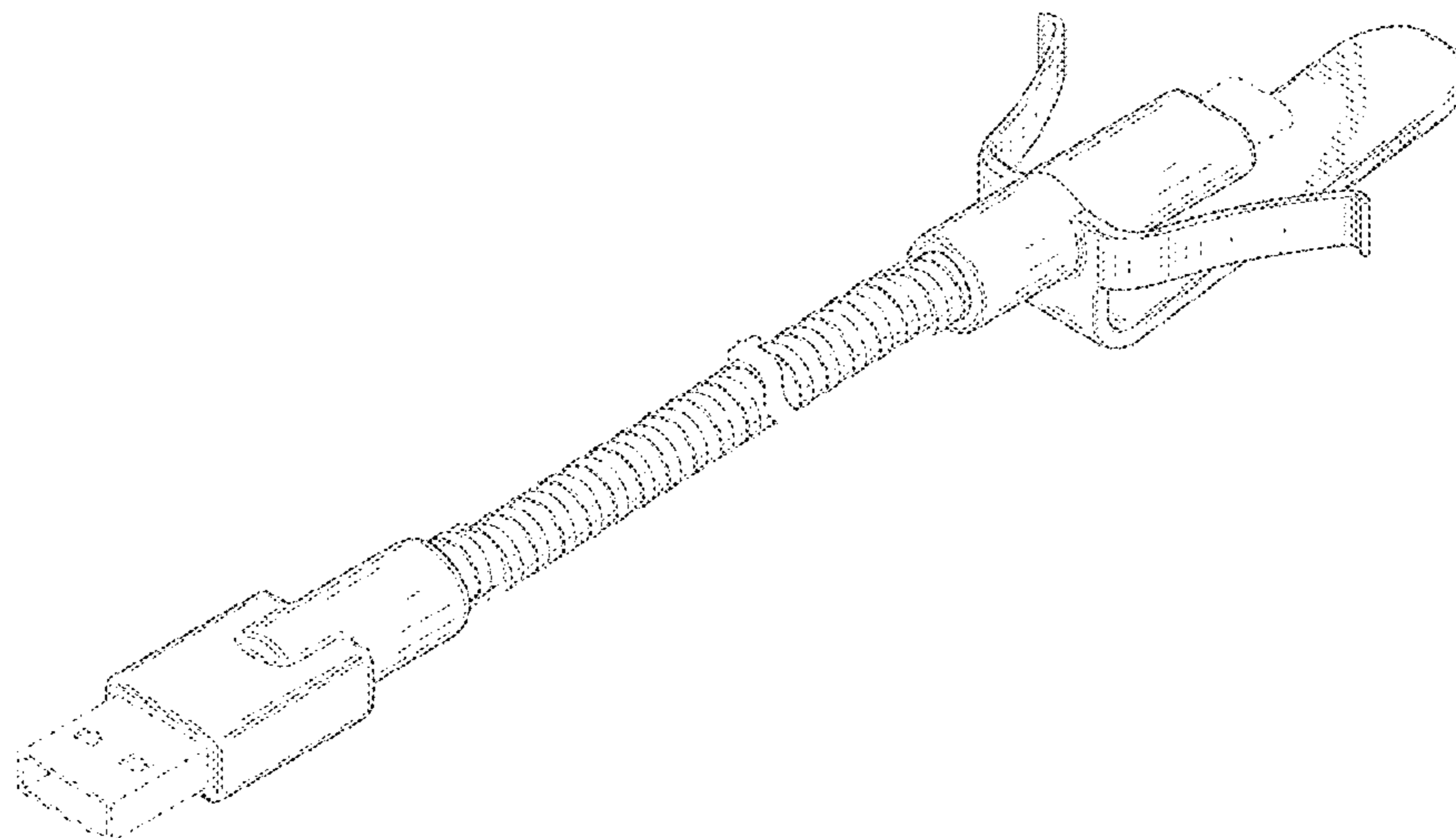
(57) **CLAIM**

The ornamental design for a combined flexible docking cable and support for mobile device, as shown and described.

DESCRIPTION

FIG. 1 is a perspective view of a combined flexible docking cable and support for mobile device;
FIG. 2 is a front view thereof;
FIG. 3 is a rear view thereof;
FIG. 4 is a right side view thereof;
FIG. 5 is a left side view thereof;
FIG. 6 is a top view thereof;
FIG. 7 is a bottom view thereof; and,
FIG. 8 is a perspective view of a combined flexible docking cable and support for mobile device showing our new design, shown in an environment and position of use.
The broken lines in the figures represent portions of the article and environmental subject matter which form no part of the claimed design. The broken away symbols in the drawings indicate the appearance of any portion of the article between the break lines forms no part of the claimed design.

1 Claim, 5 Drawing Sheets



(56)

References Cited

U.S. PATENT DOCUMENTS

2002/0089822 A1* 7/2002 Liao G06F 1/1632
361/679.43
2013/0270002 A1* 10/2013 Fawcett H01R 11/01
174/84 S

* cited by examiner

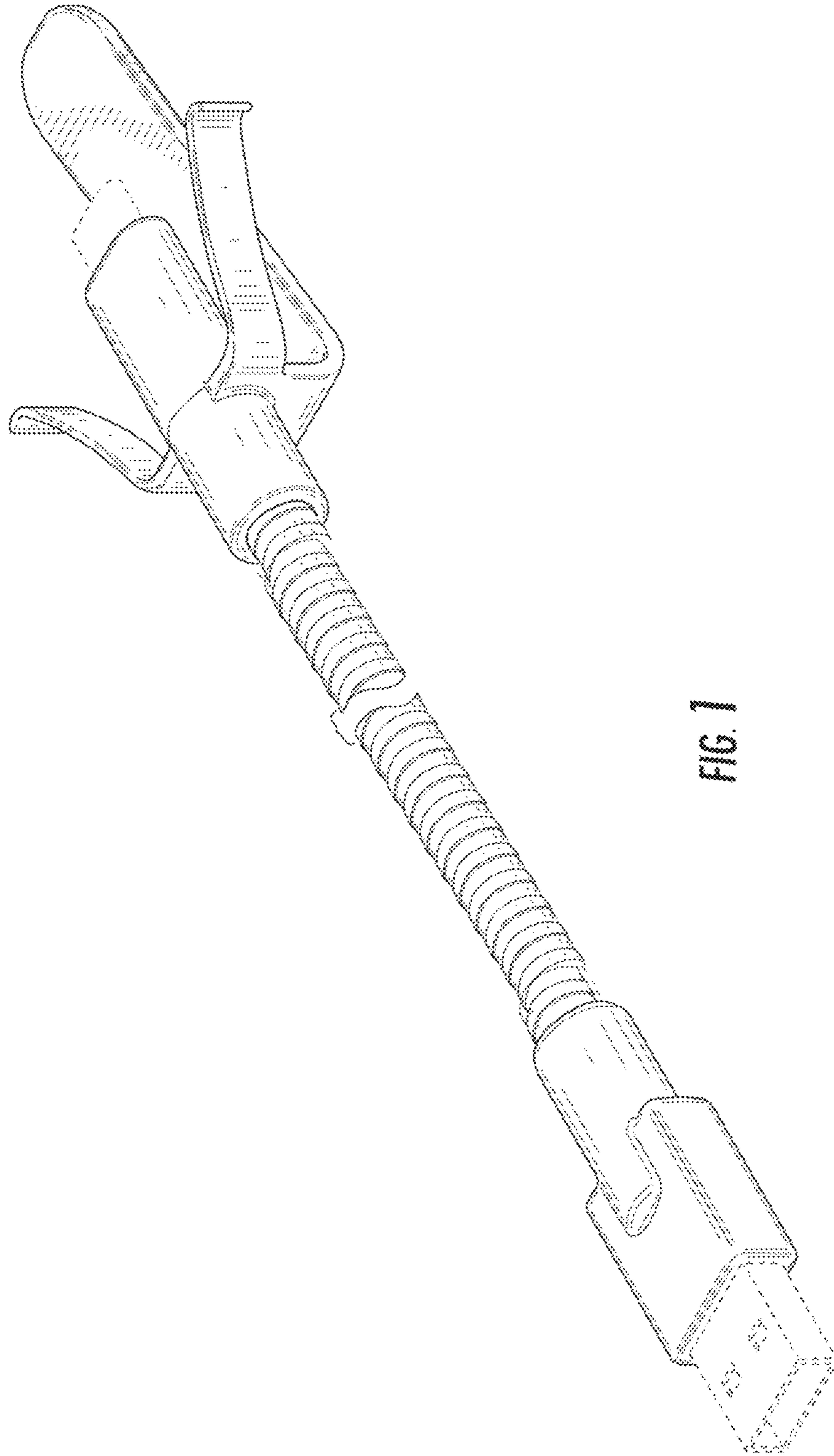


FIG. 1

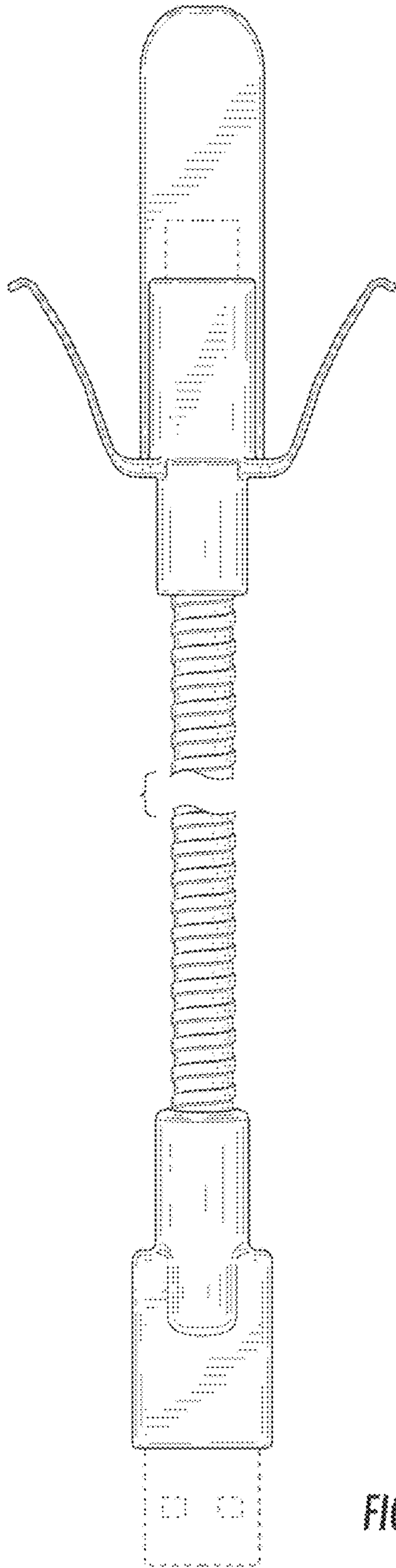


FIG. 2

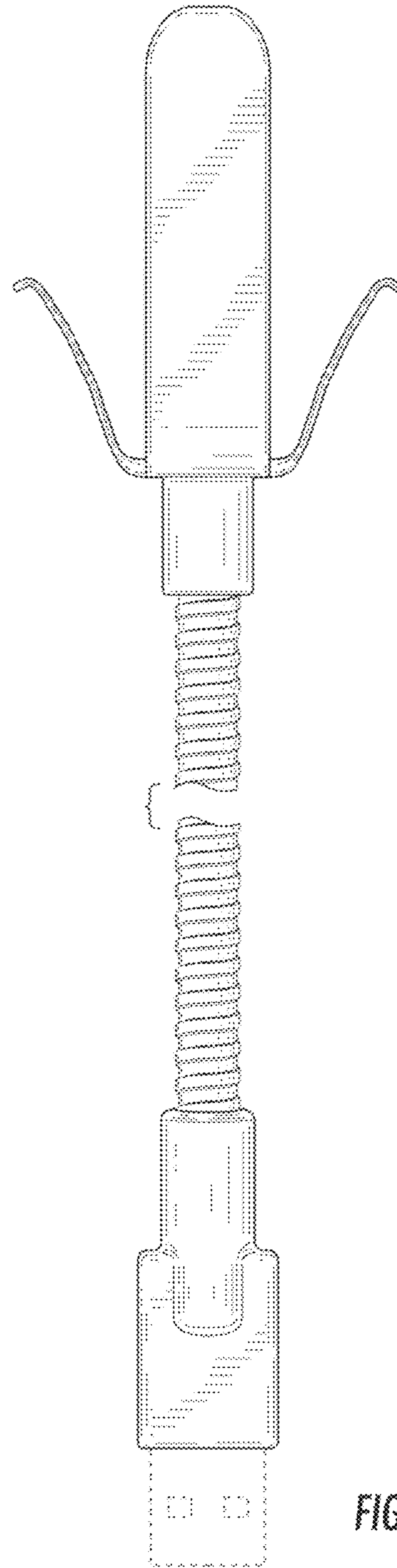


FIG. 3

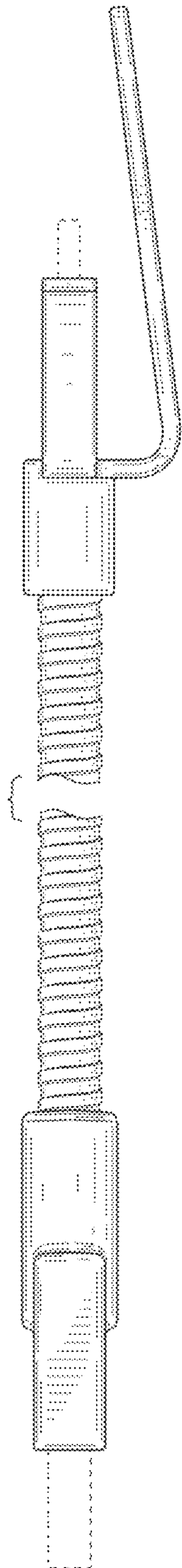


FIG. 4

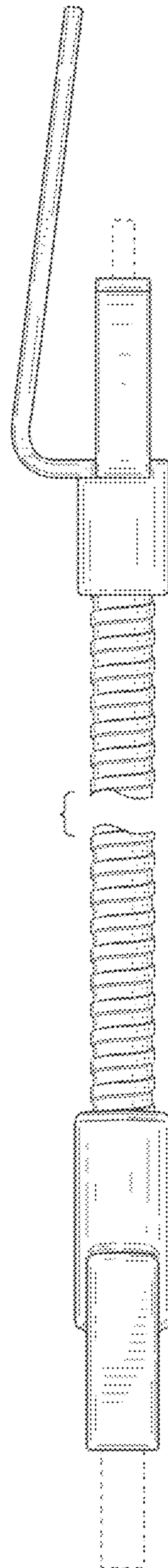


FIG. 5

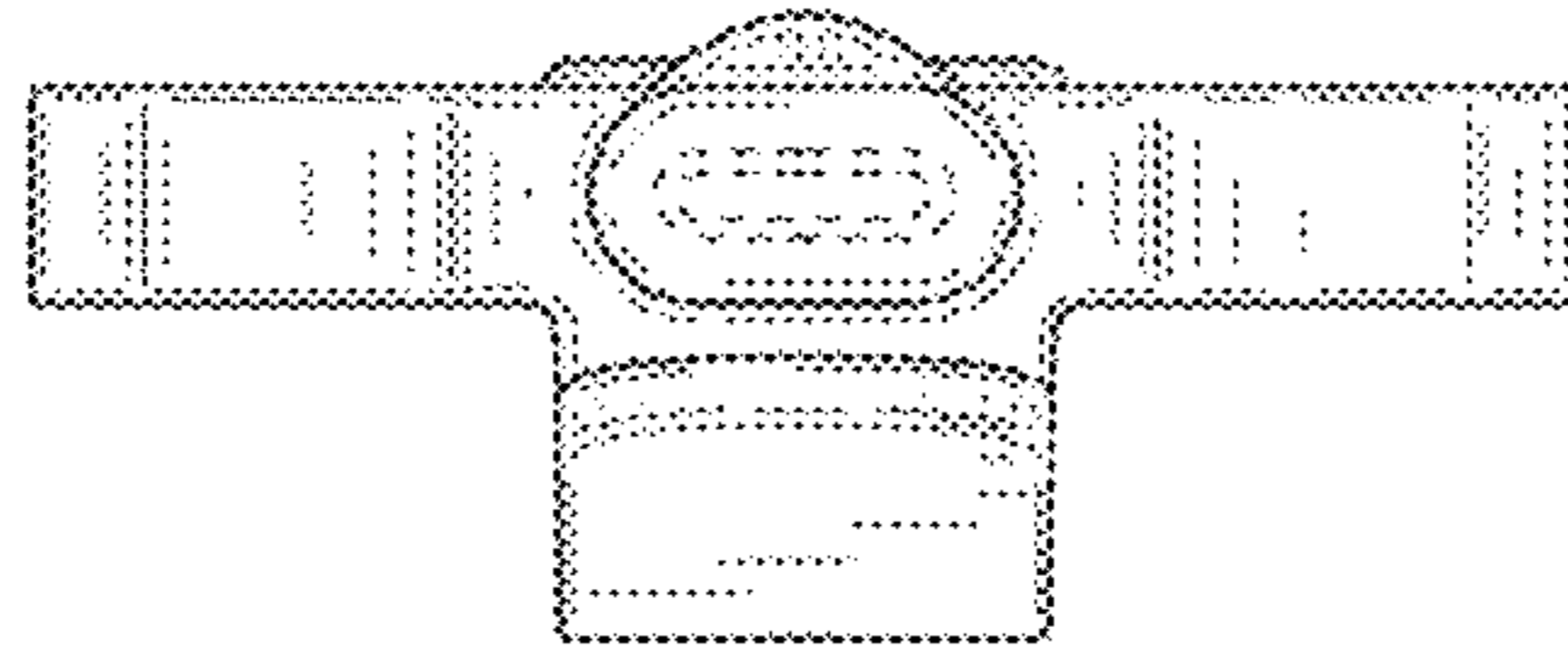


FIG. 6

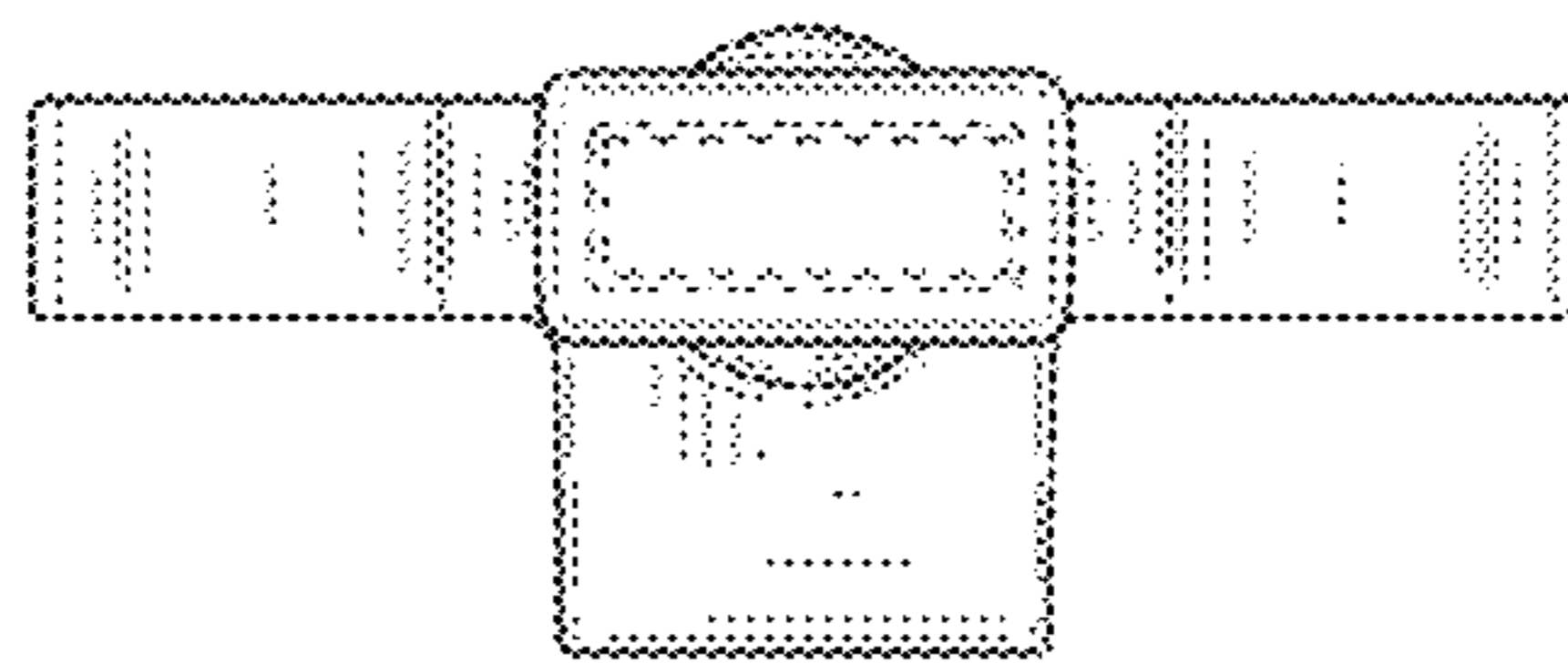


FIG. 7

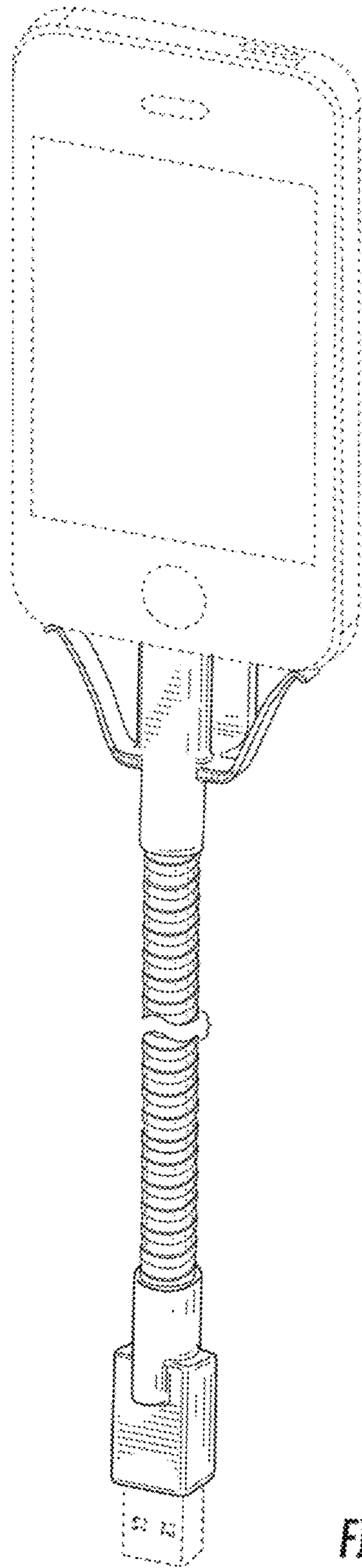


FIG. 8