



US00D826864S

(12) **United States Design Patent**
Hoffart et al.

(10) **Patent No.:** **US D826,864 S**

(45) **Date of Patent:** **** Aug. 28, 2018**

(54) **CONNECTION PLUG**

(71) Applicant: **Robert Bosch GmbH**, Stuttgart (DE)

(72) Inventors: **Alexander Hoffart**, Bindlach (DE);
Bernal Ruesta Pablo, Stuttgart (DE);
Andreas Dimitriadis, Lorch (DE);
Matthias Wieser, Wendlingen (DE)

(73) Assignee: **Robert Bosch GmbH**, Stuttgart (DE)

(**) Term: **15 Years**

(21) Appl. No.: **29/592,725**

(22) Filed: **Feb. 1, 2017**

(30) **Foreign Application Priority Data**

Aug. 2, 2016 (EM) 003328590

(51) **LOC (11) Cl.** **13-03**

(52) **U.S. Cl.**
USPC **D13/147**

(58) **Field of Classification Search**

USPC D13/110, 112, 116, 118, 120, 122, 123,
D13/133, 146, 147, 149, 154, 156, 173,
D13/174, 177, 178, 184, 199
CPC G01M 17/00; G06F 19/00; G07C 5/00;
G07C 5/08; H01R 13/66; H01R 11/00;
H01R 11/01; H01R 13/62; H01R 13/627;
H01R 13/629; H01R 13/633; H01R
13/707; H01R 27/02; H01R 4/24; H01R
12/00; H01R 13/44; H01R 13/65; H01R
25/00; H01R 27/00; H02G 3/08

See application file for complete search history.

(56) **References Cited**

U.S. PATENT DOCUMENTS

6,224,424 B1 * 5/2001 Chen H01B 11/1091
439/607.42
D609,639 S * 2/2010 Kawahara D13/110

D704,669 S * 5/2014 Casagrande D13/156
D709,836 S * 7/2014 Casagrande D13/156
D769,824 S * 10/2016 Wieser D13/147
D770,389 S * 11/2016 Wieser D13/147
D770,390 S * 11/2016 Wieser D13/147
D770,391 S * 11/2016 Wieser D13/147
D770,392 S * 11/2016 Wieser D13/147
D770,982 S * 11/2016 Wieser D13/147
D771,573 S * 11/2016 Lowchareonkul D13/156
D776,618 S * 1/2017 Wieser D13/147
2015/0024621 A1 * 1/2015 Diessel H01R 13/432
439/353

(Continued)

Primary Examiner — Thomas Johannes

Assistant Examiner — Shawn T Gingrich

(74) *Attorney, Agent, or Firm* — Maginot, Moore & Beck
LLP

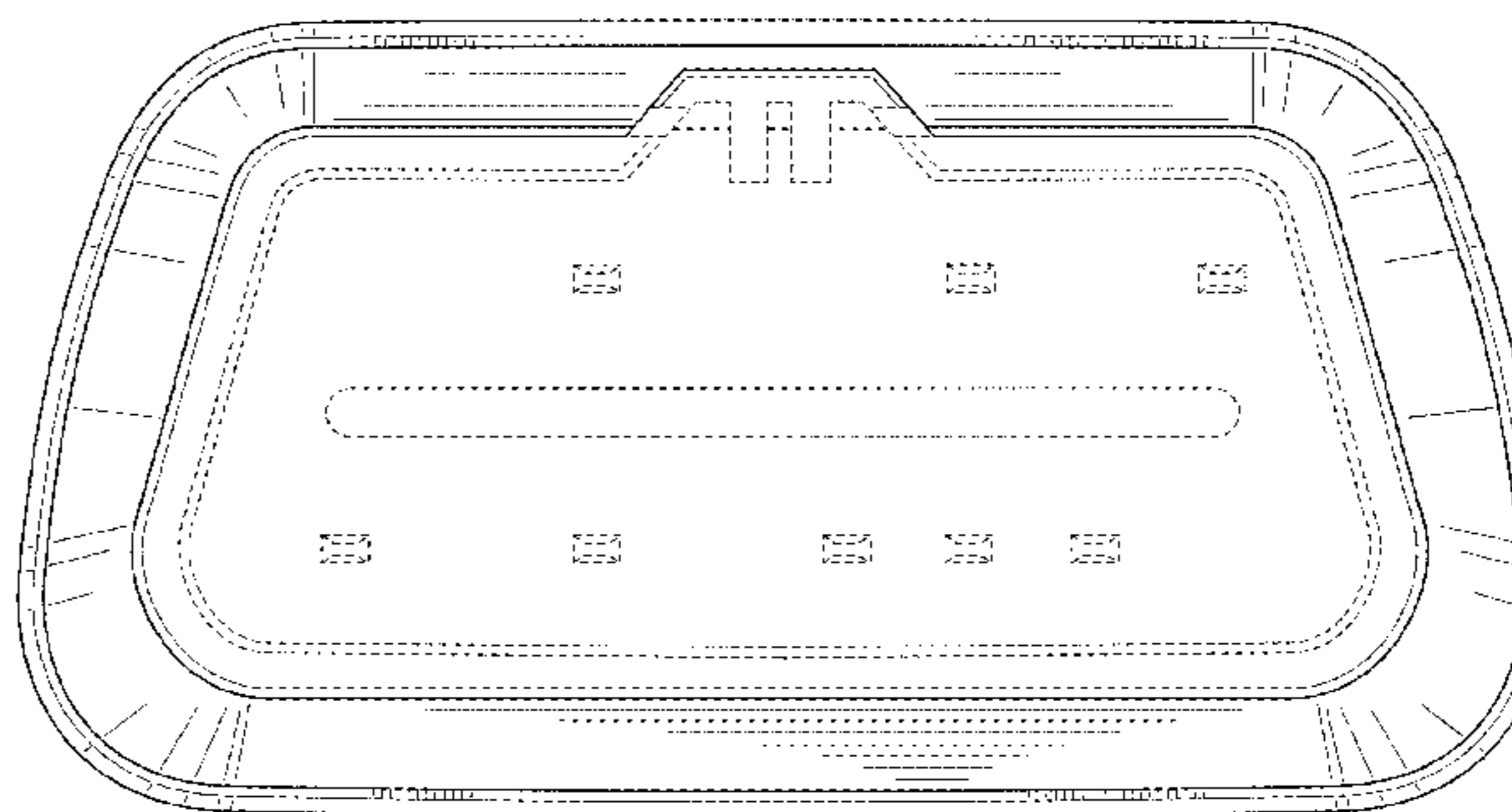
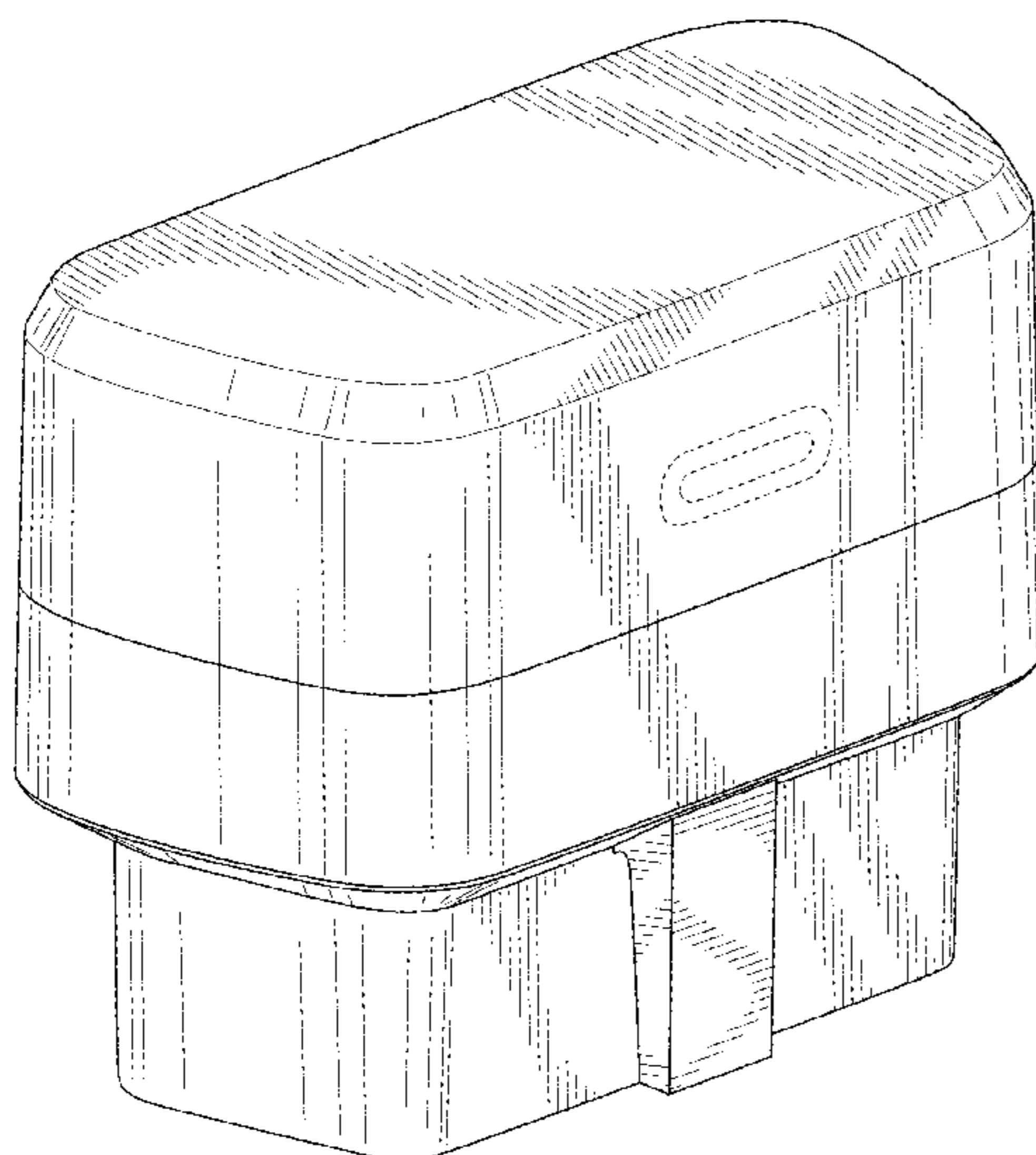
(57) **CLAIM**

The ornamental design for a connection plug, as shown and described.

DESCRIPTION

FIG. 1 is a perspective view of a connection plug showing our new design;
FIG. 2 is a top elevational view of the connection plug of FIG. 1;
FIG. 3 is a bottom elevational view of the connection plug of FIG. 1;
FIG. 4 is a right side elevational view of the connection plug of FIG. 1;
FIG. 5 is a left side elevational view of the connection plug of FIG. 1;
FIG. 6 is a front view of the connection plug of FIG. 1; and,
FIG. 7 is a rear view of the connection plug of FIG. 1.
The broken lines shown in the drawings illustrate portions of the connection plug that form no part of the claimed design.

1 Claim, 6 Drawing Sheets



(56)

References Cited

U.S. PATENT DOCUMENTS

2015/0081163 A1* 3/2015 Molenkamp G07C 5/00
701/33.2
2016/0226189 A1* 8/2016 Simonazzi H01R 13/6272
2016/0322730 A1* 11/2016 Sasaki H01R 12/89

* cited by examiner

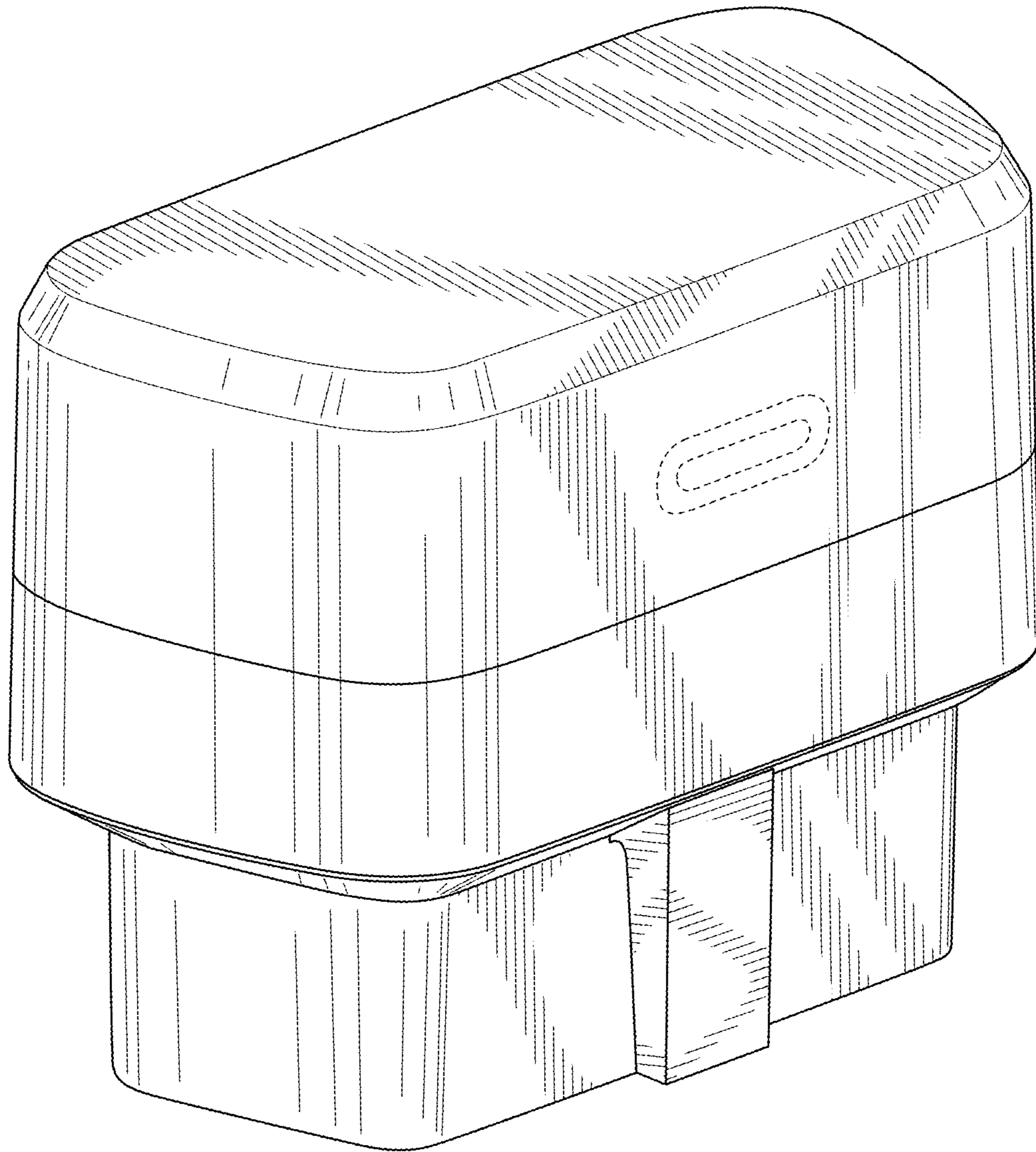
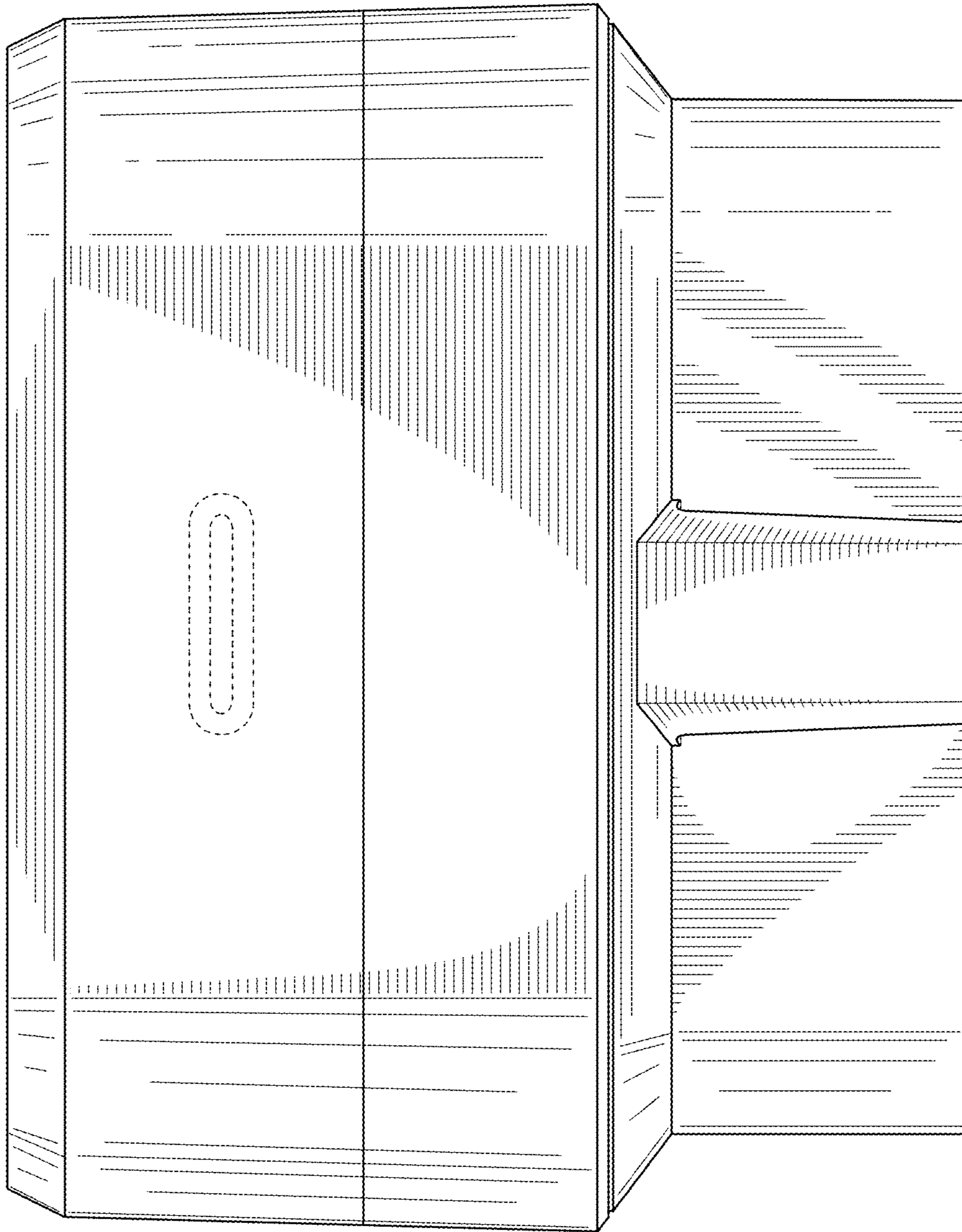


FIG. 1

FIG. 2



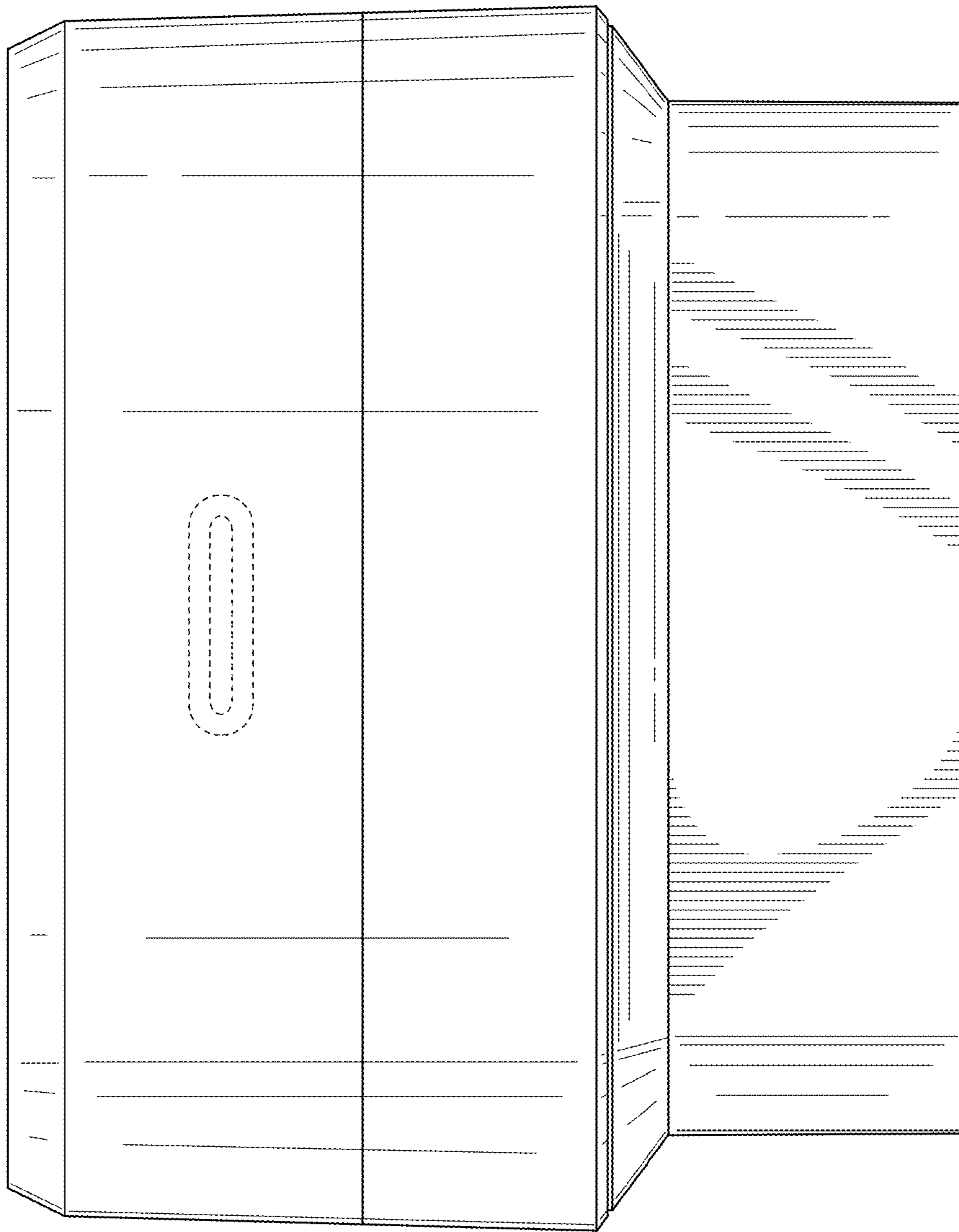


FIG. 3

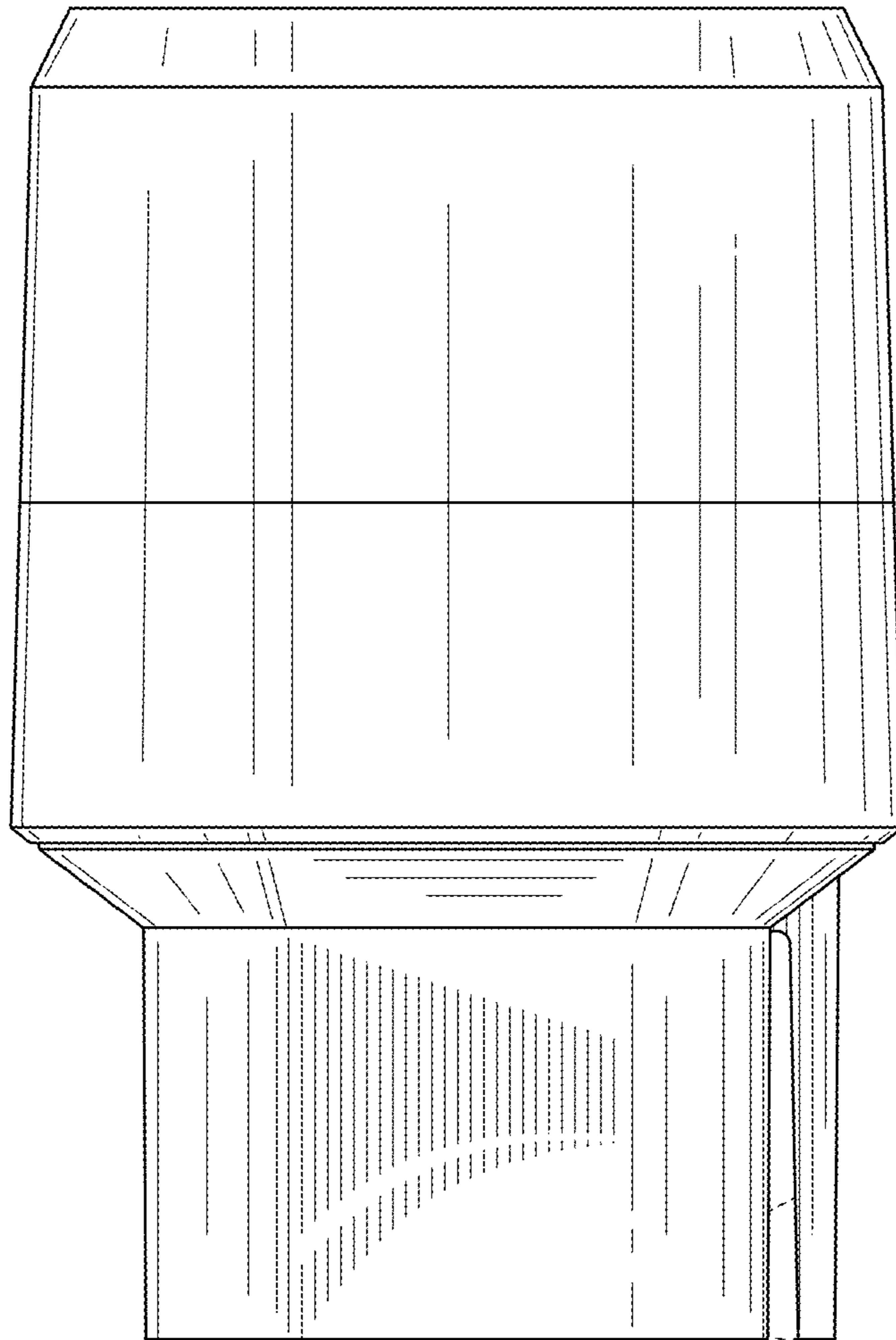


FIG. 4

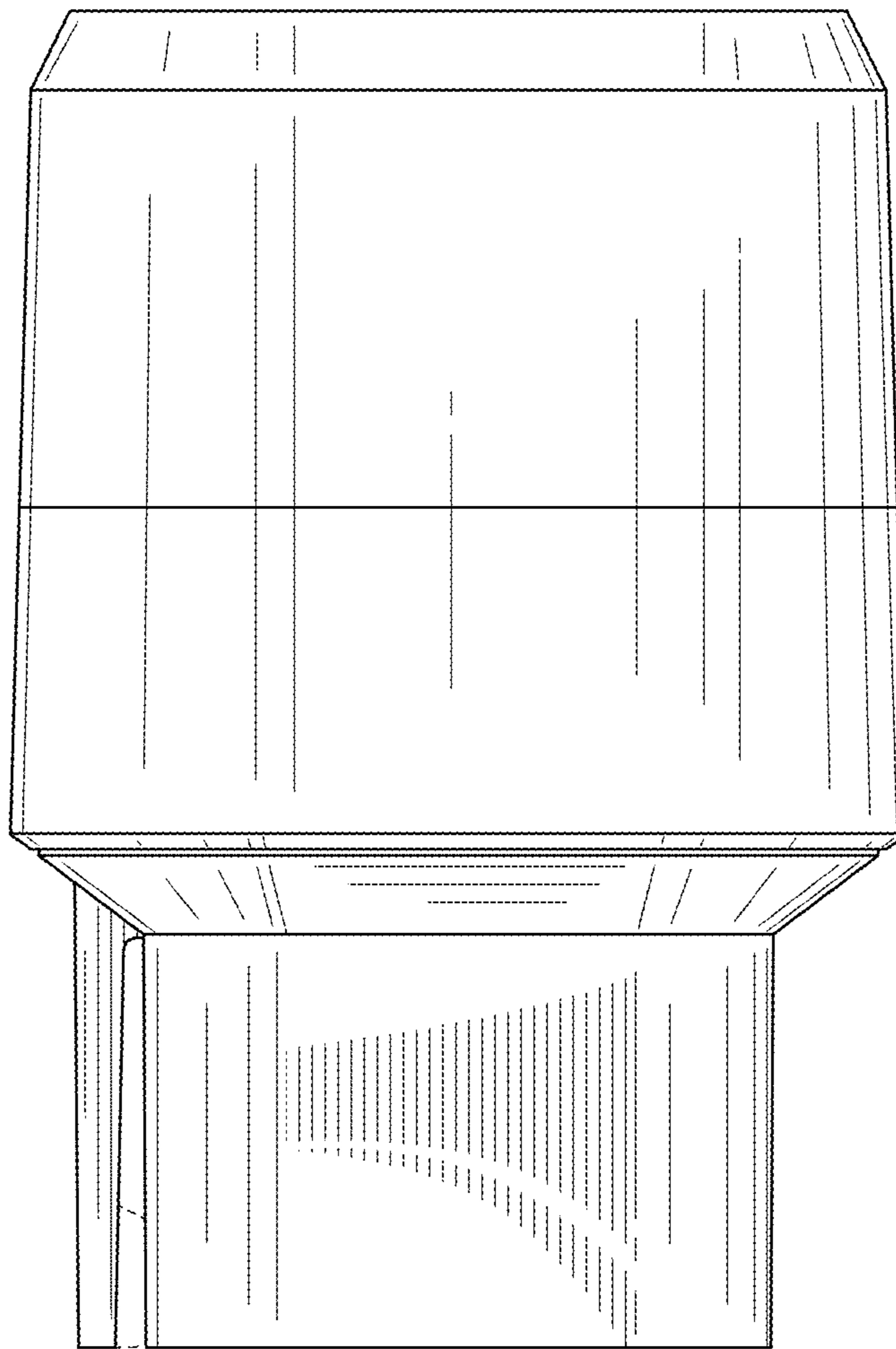


FIG. 5

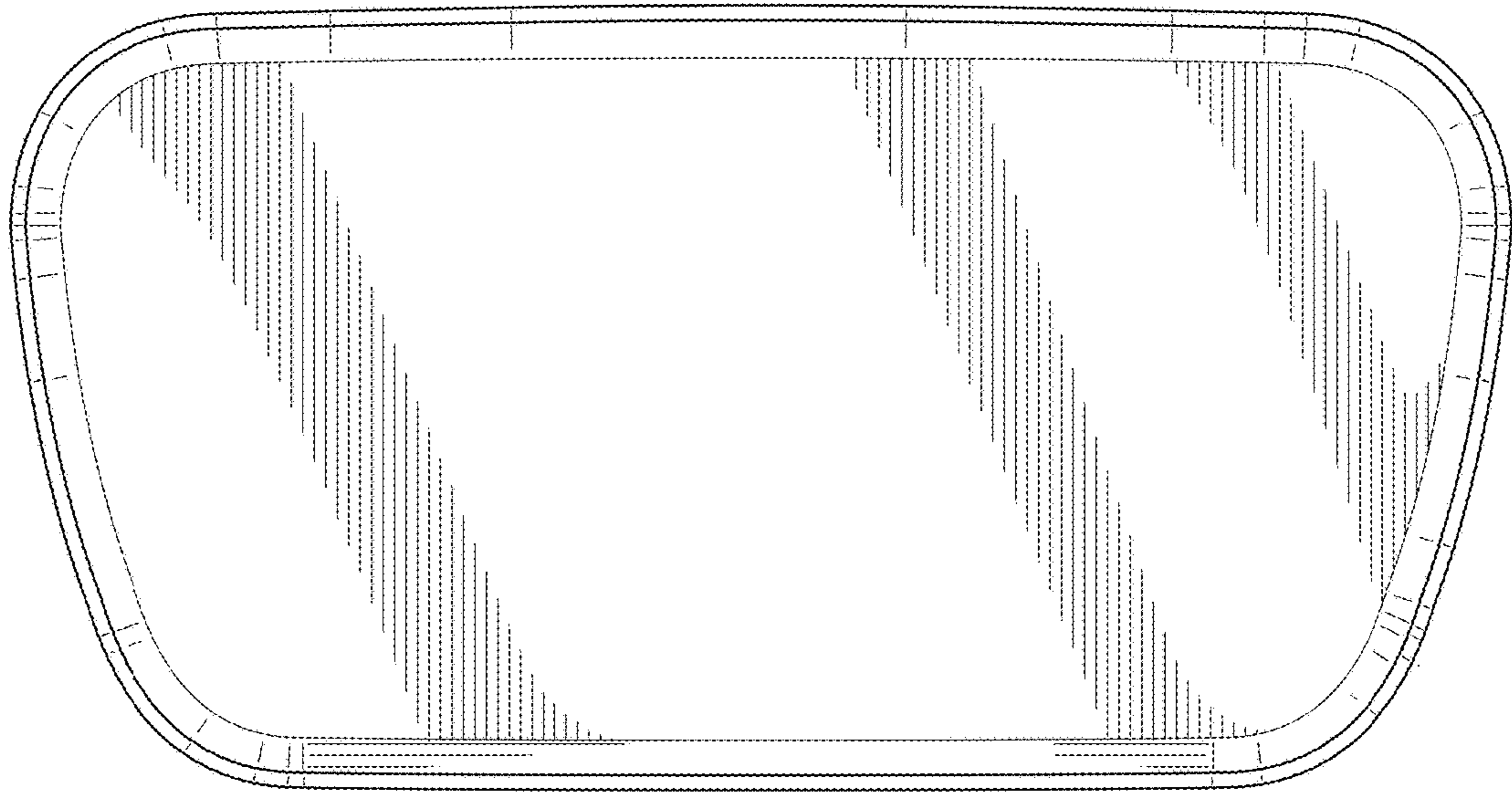


FIG. 6

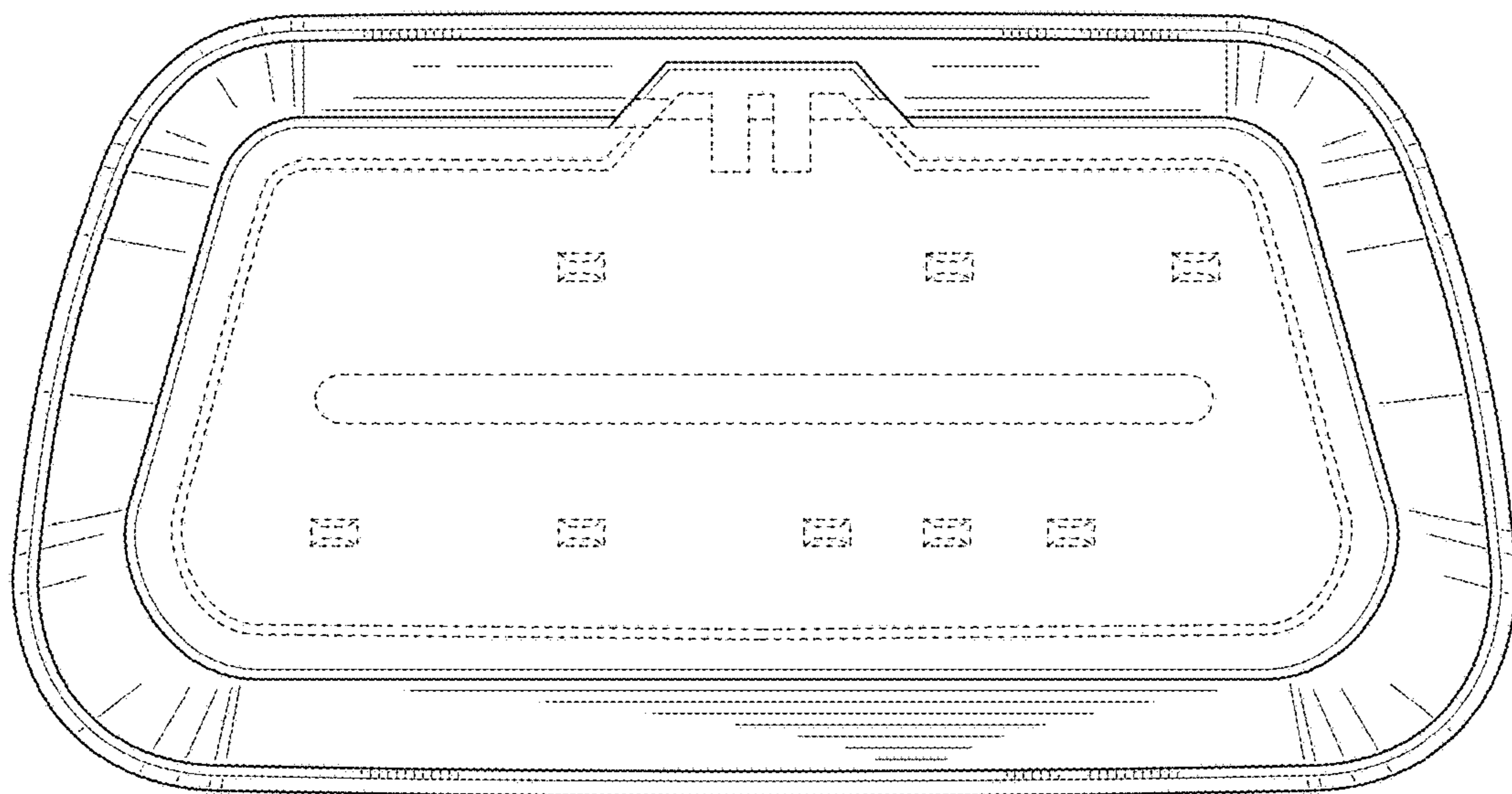


FIG. 7