



US00D826862S

(12) **United States Design Patent**
Salman

(10) **Patent No.:** **US D826,862 S**

(45) **Date of Patent:** **** Aug. 28, 2018**

(54) **ELECTRICAL CONNECTOR**

(71) Applicant: **Switchcraft, Inc.**, Chicago, IL (US)

(72) Inventor: **Nizar Salman**, Wheeling, IL (US)

(73) Assignee: **Switchcraft Inc.**, Chicago, IL (US)

(**) Term: **15 Years**

(21) Appl. No.: **29/607,454**

(22) Filed: **Jun. 13, 2017**

(51) **LOC (11) Cl.** **13-03**

(52) **U.S. Cl.**
USPC **D13/146**

(58) **Field of Classification Search**
USPC D13/118–120, 122, 123, 133, 144, 146,
D13/147, 149–151, 153, 154, 173, 174,
D13/178, 184, 199; D14/432, 433
CPC .. F21V 33/00; H01R 9/00; H01R 9/05; H01R
9/24; H01R 13/00; H01R 13/24; H01R
13/52; H01R 13/59; H01R 13/62; H01R
13/64; H01R 13/65; H01R 24/00; H01R
27/00; H01R 33/00; H01R 43/00; H01R
4/24; H01R 4/26; H01R 4/70; H01R
13/50; H01R 13/501; H01R 13/506;
H01R 13/58; H01R 13/582; H01R
13/5816; H01R 24/58; G02B 6/00; G02B
6/36; G02B 6/38; G02B 6/383
See application file for complete search history.

(56) **References Cited**

U.S. PATENT DOCUMENTS

D251,491 S * 4/1979 Snyder, Jr. D13/146
5,685,730 A * 11/1997 Cameron H01R 13/625
439/333
D415,469 S * 10/1999 Lee D13/146
D422,230 S * 4/2000 Johnston D10/80
7,931,486 B1 * 4/2011 Walters F41F 3/0406
439/320
D675,995 S * 2/2013 Sykes D13/151

8,439,707 B2 * 5/2013 Montena H01R 9/0524
439/579
D777,671 S * 1/2017 Ishiguro D13/133
D789,889 S * 6/2017 Katagiyama D13/133
2011/0158586 A1 * 6/2011 Katagiyama G02B 6/3825
385/55
2012/0135629 A1 * 5/2012 Montena H01R 13/622
439/359

(Continued)

OTHER PUBLICATIONS

DPA Microphones DAD6010, dated Aug. 29, 2015, [online], [site visited Mar. 28, 2018]. Available from Internet, <URL: <http://www.fullcompass.com/prod/034525-DPA-Microphones-DAD6010>> (Year: 2015).*

Primary Examiner — Thomas Johannes
Assistant Examiner — Shawn T Gingrich
(74) *Attorney, Agent, or Firm* — Polsinelli PC

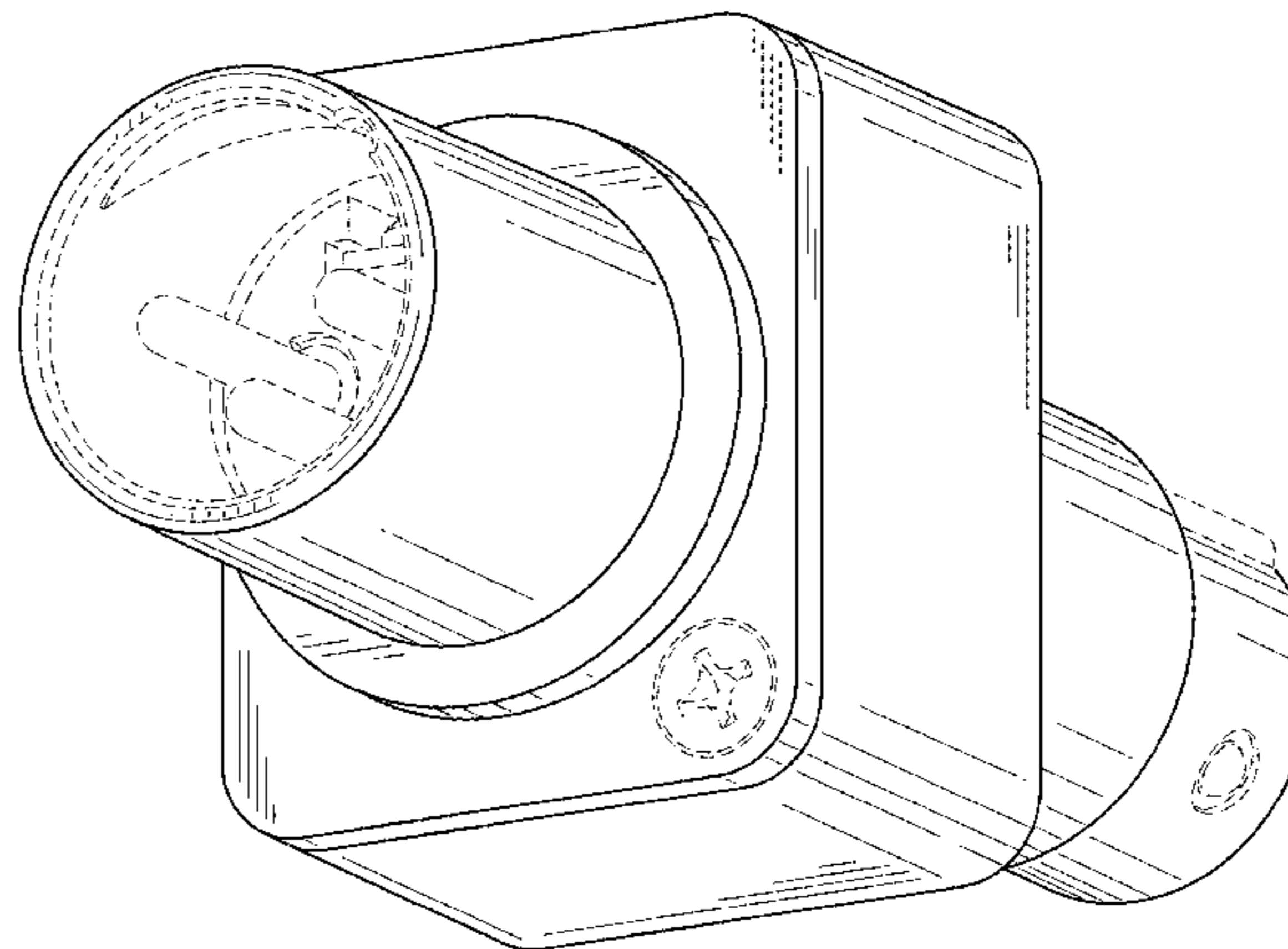
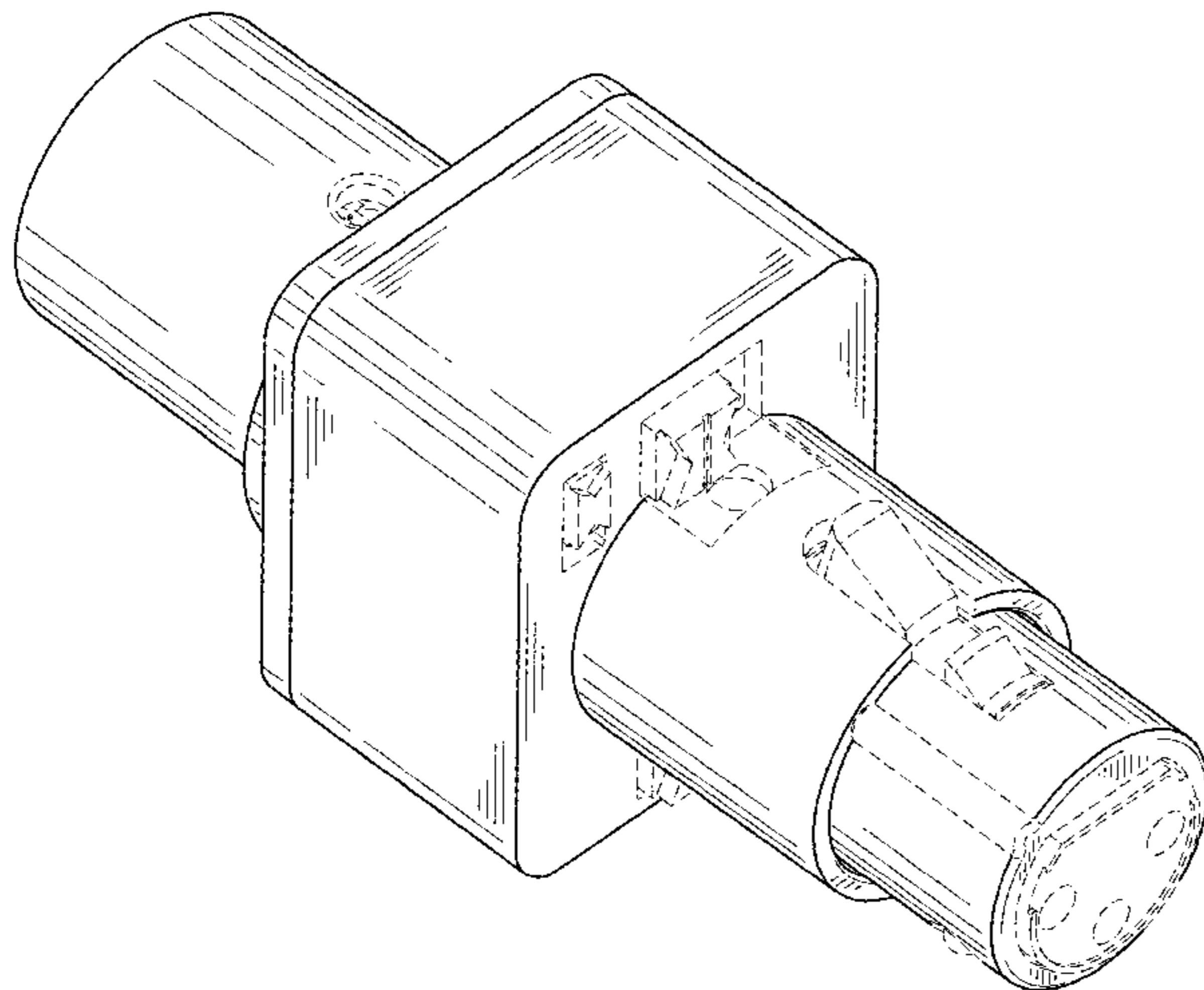
(57) **CLAIM**

The ornamental design for an electrical connector, as shown and described.

DESCRIPTION

FIG. 1 is a top front perspective view of the electrical connector;
FIG. 2 is a bottom front perspective view of the electrical connector;
FIG. 3 is a bottom rear perspective view of the electrical connector;
FIG. 4 is a left side view of the electrical connector;
FIG. 5 is a right side view of the electrical connector;
FIG. 6 is a top view of the electrical connector;
FIG. 7 is a bottom view of the electrical connector;
FIG. 8 is a front view of the electrical connector; and,
FIG. 9 is a rear view of the electrical connector.
The broken lines showing in the figures are included for the purpose of illustrating portions of the electrical connector that form no part of the claimed design.

1 Claim, 6 Drawing Sheets



(56)

References Cited

U.S. PATENT DOCUMENTS

2016/0190742 A1* 6/2016 Jozwik H01R 13/622
439/271
2016/0274315 A1* 9/2016 Koch H01R 13/4536

* cited by examiner

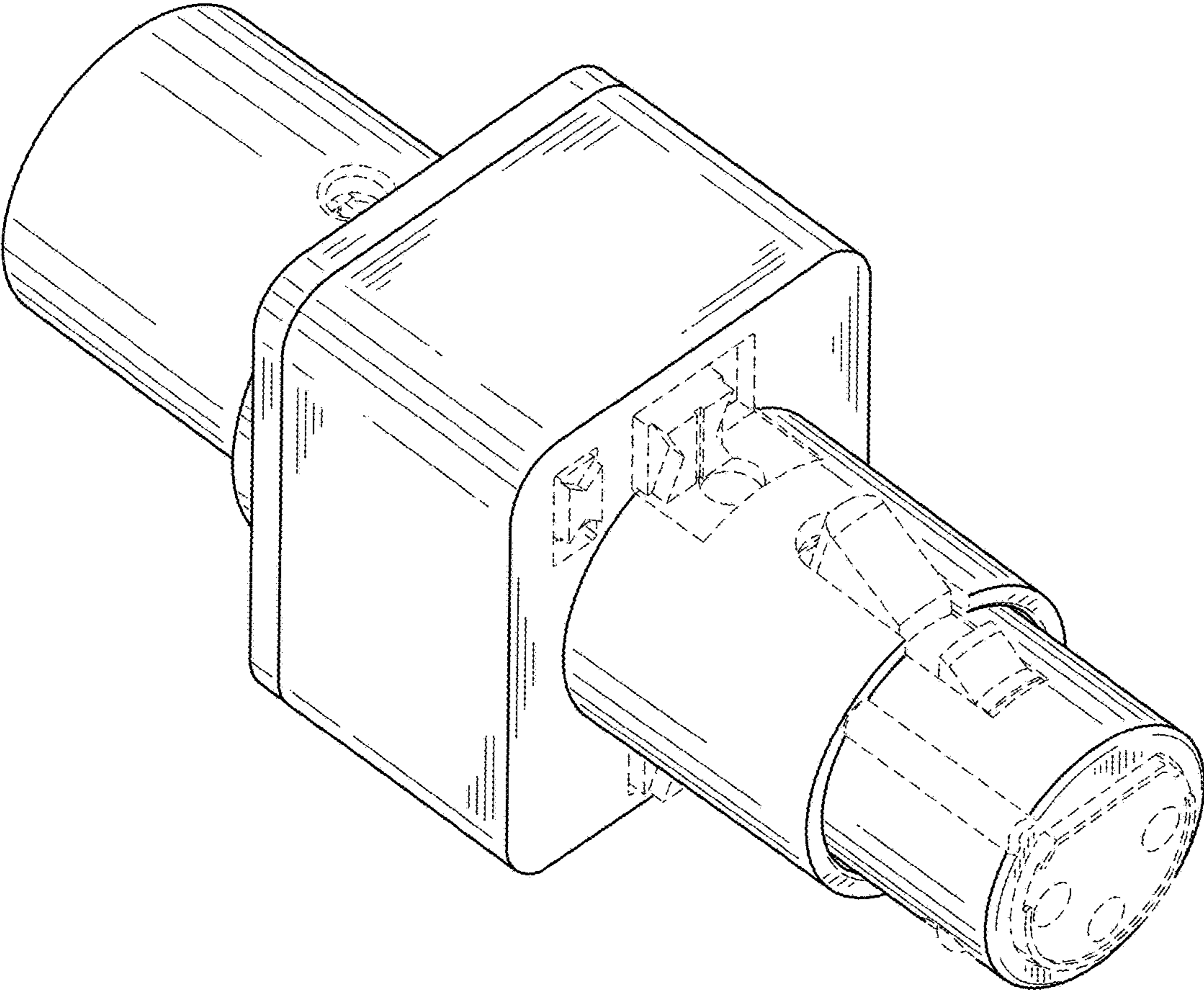


FIG. 1

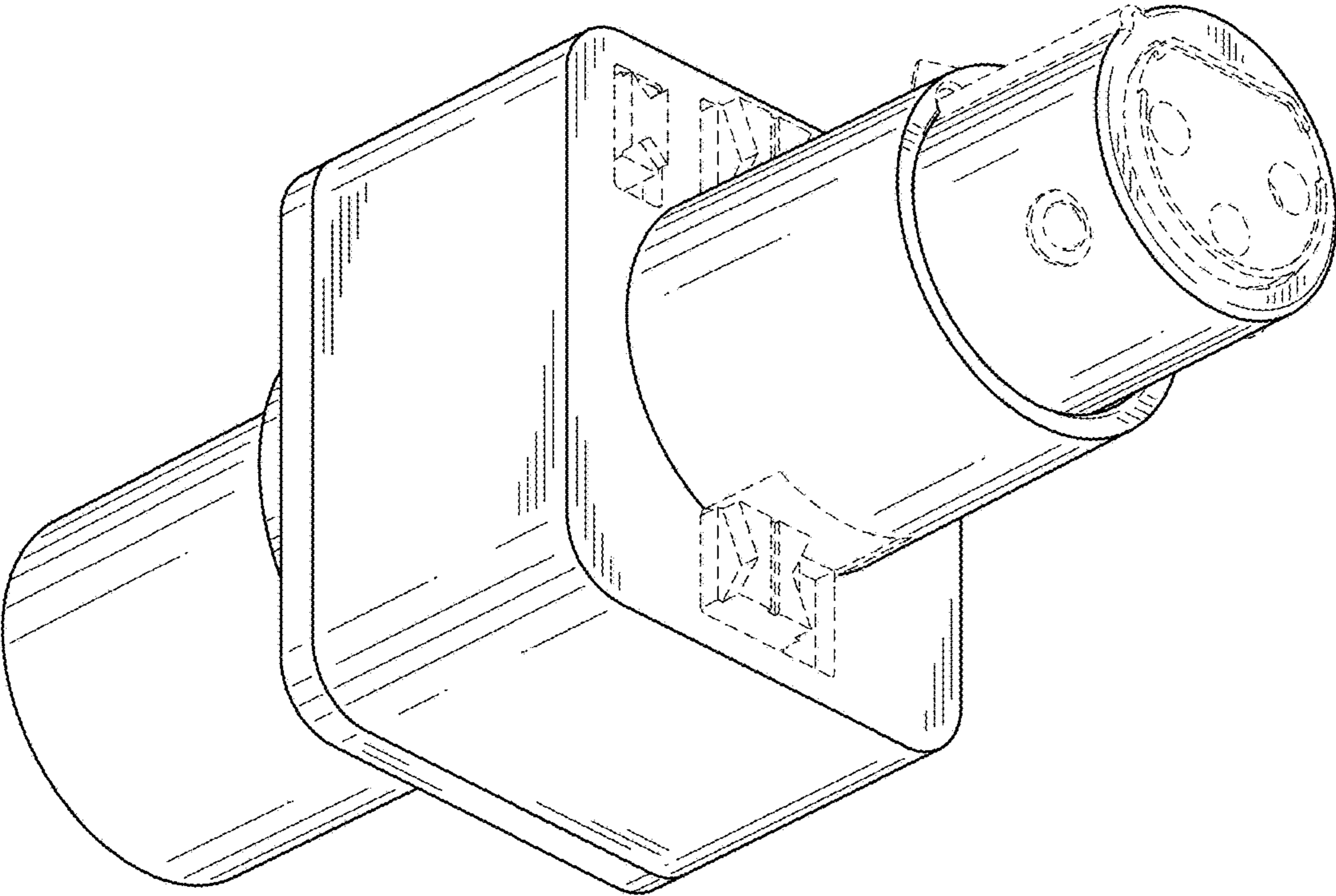


FIG. 2

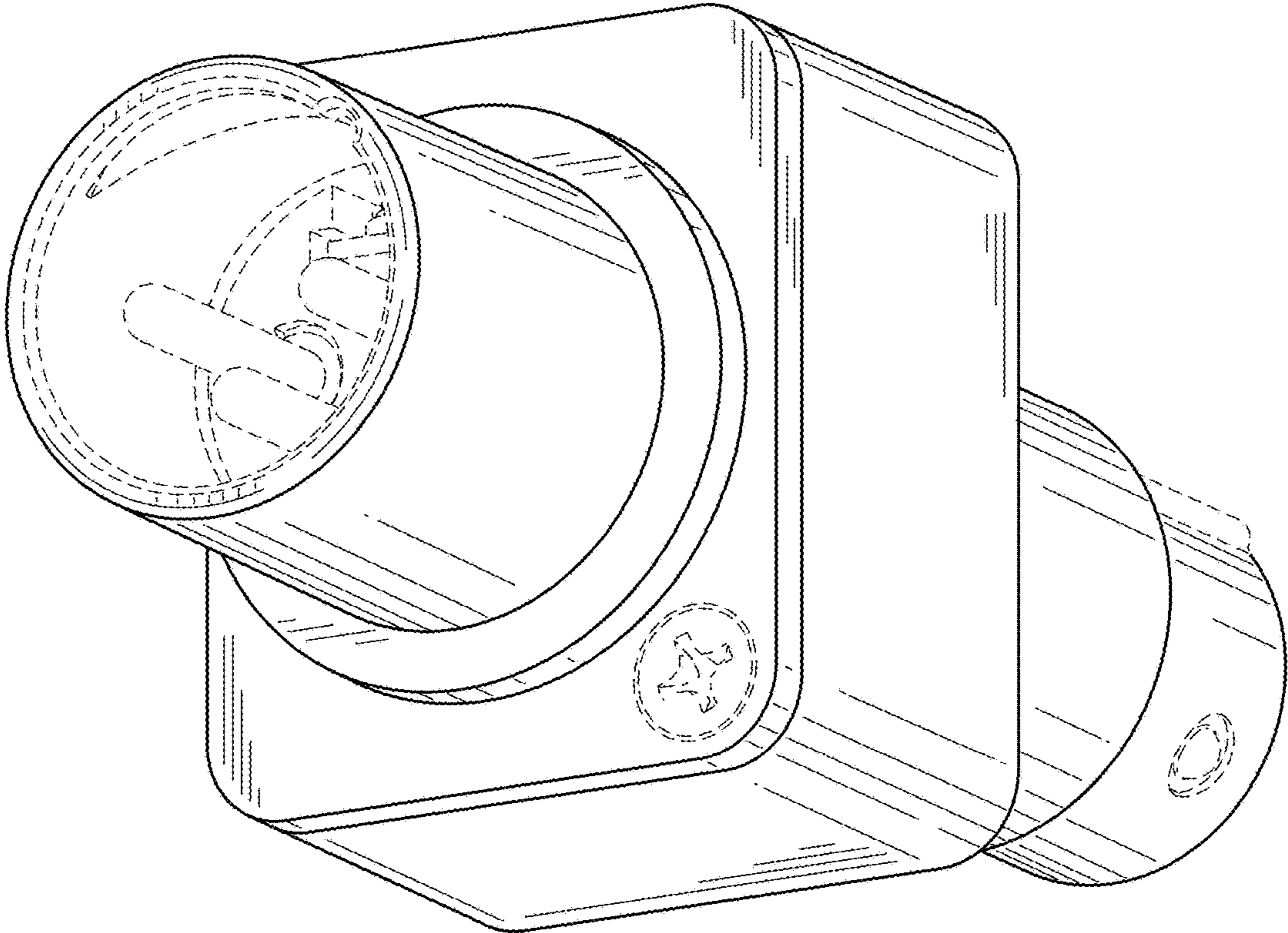


FIG. 3

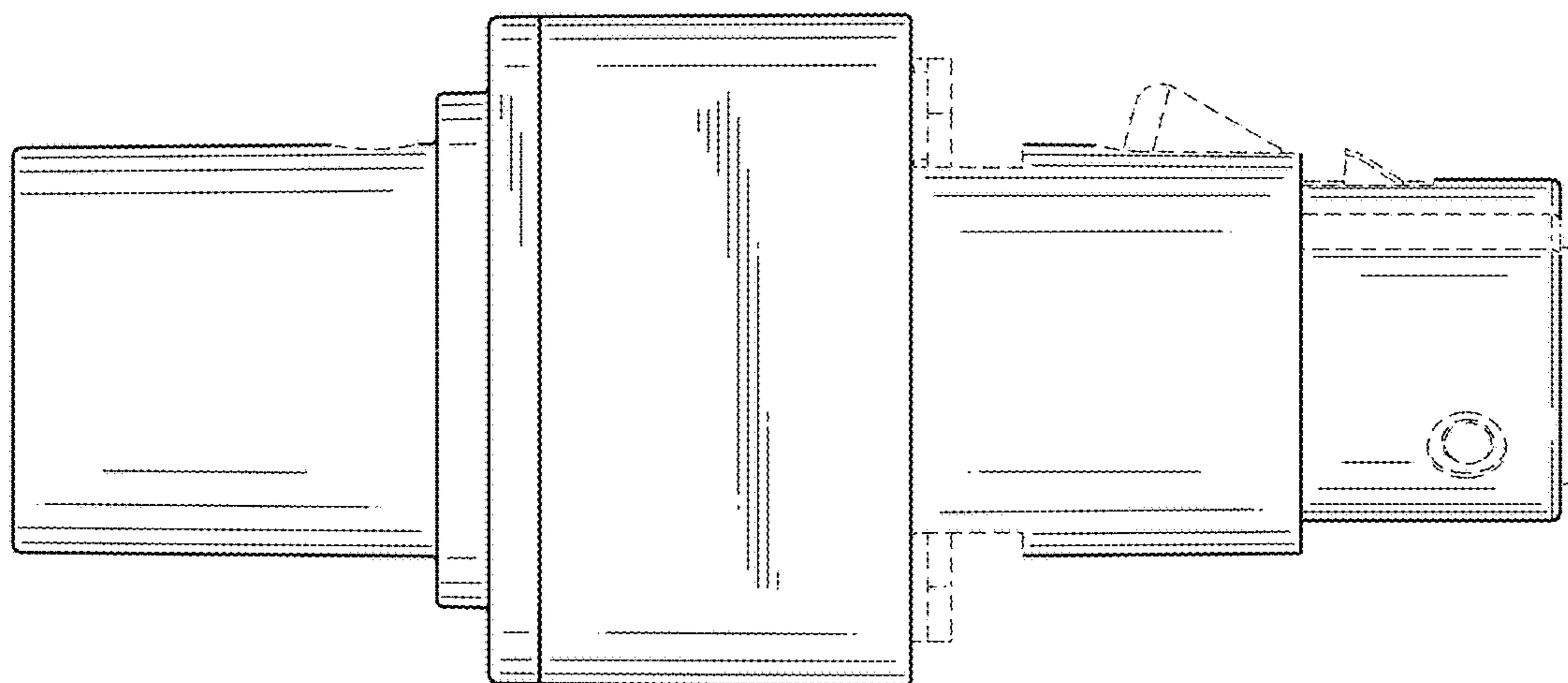


FIG. 4

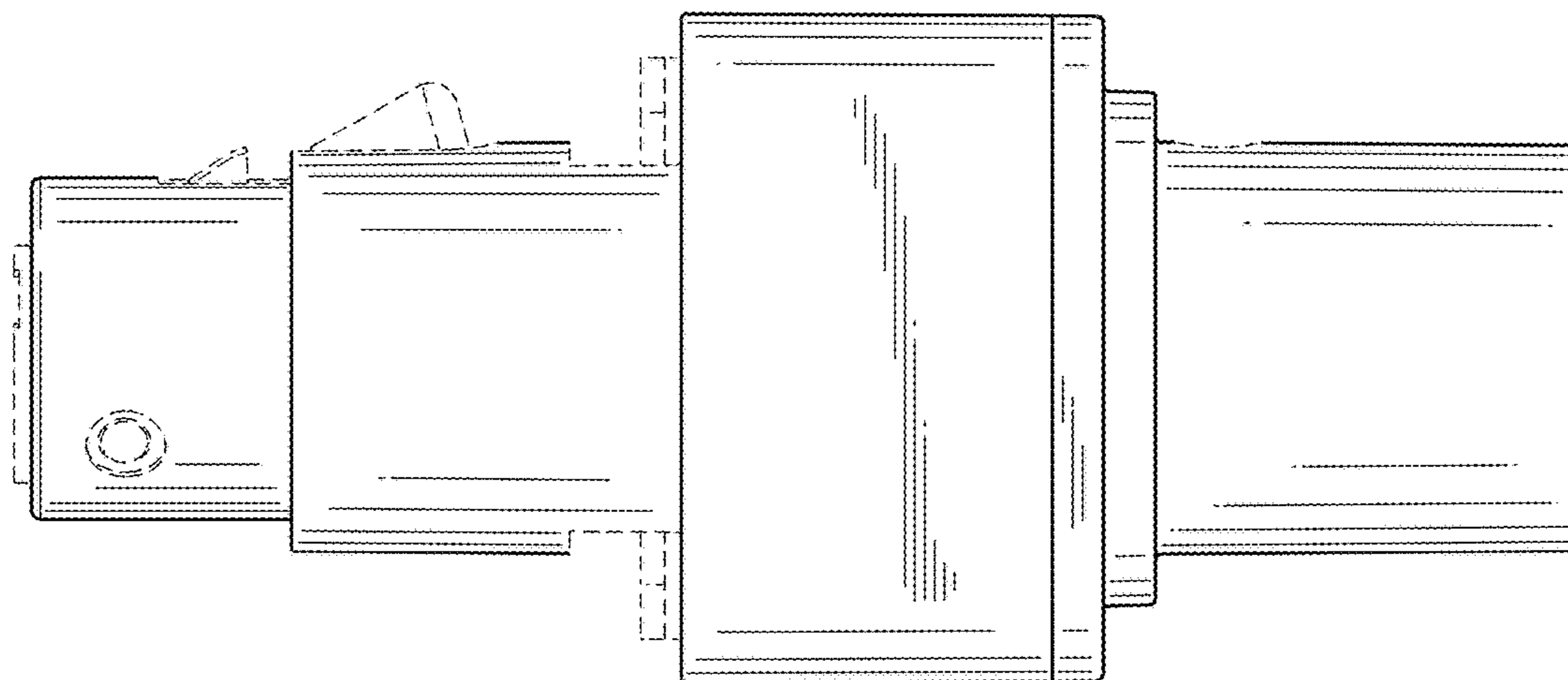


FIG. 5

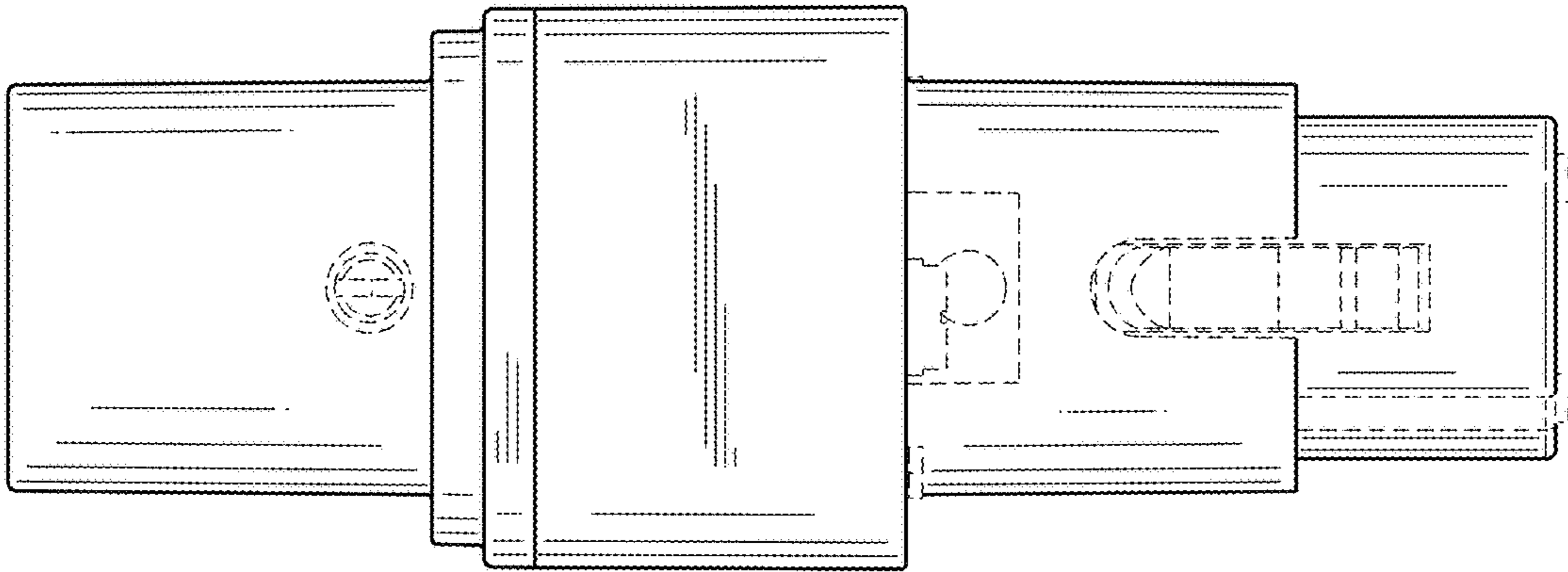


FIG. 6

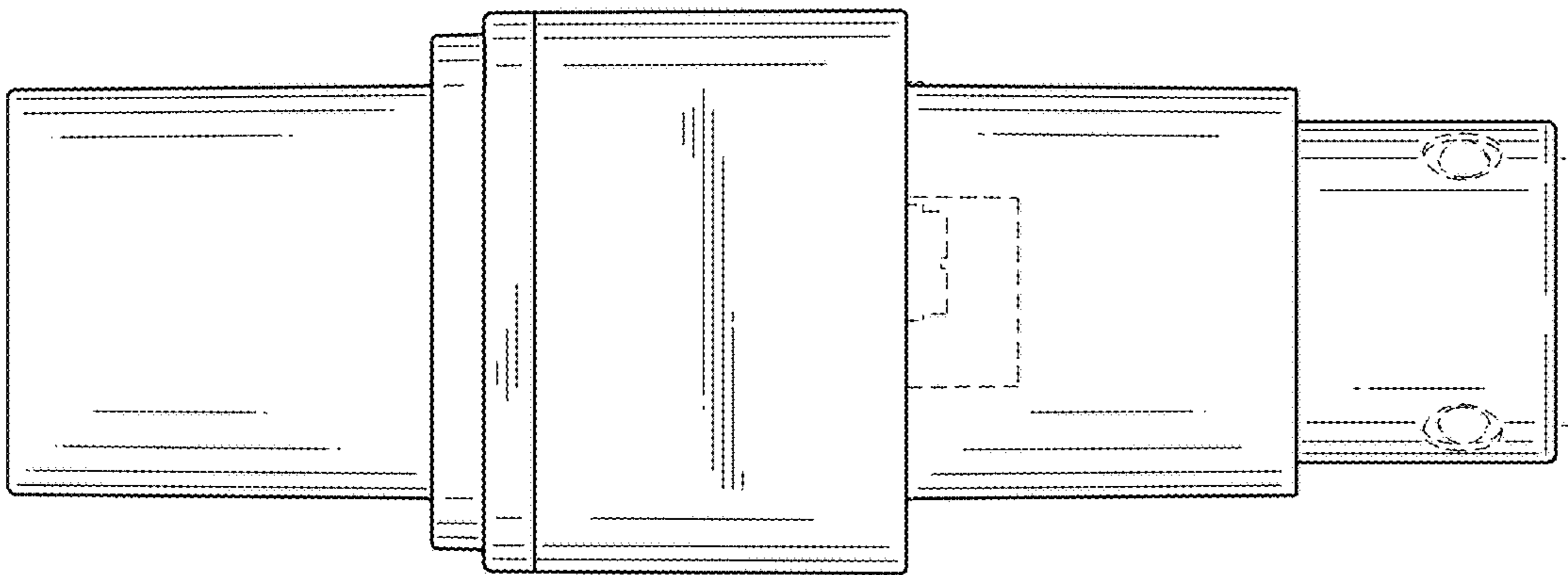


FIG. 7

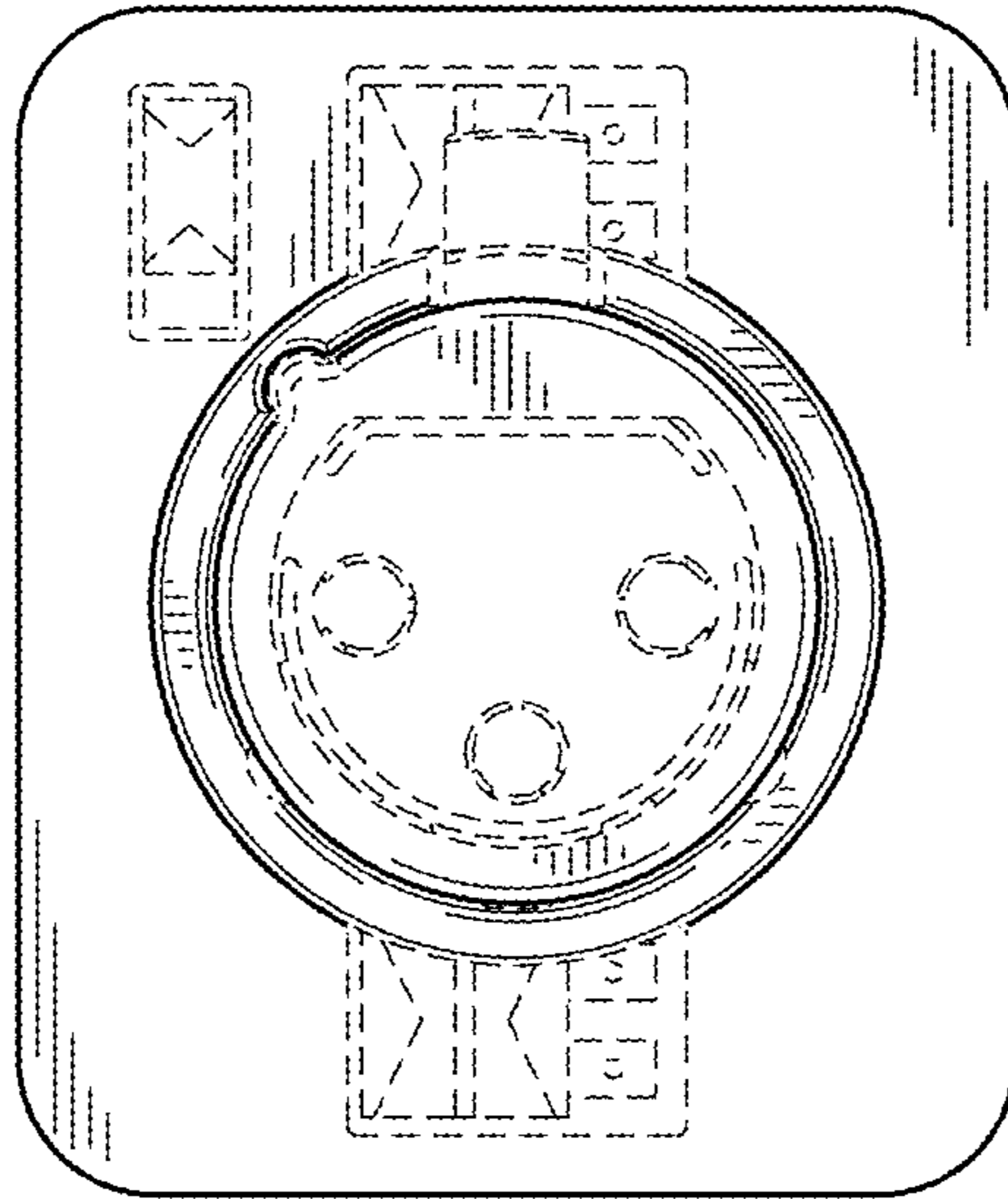


FIG. 8

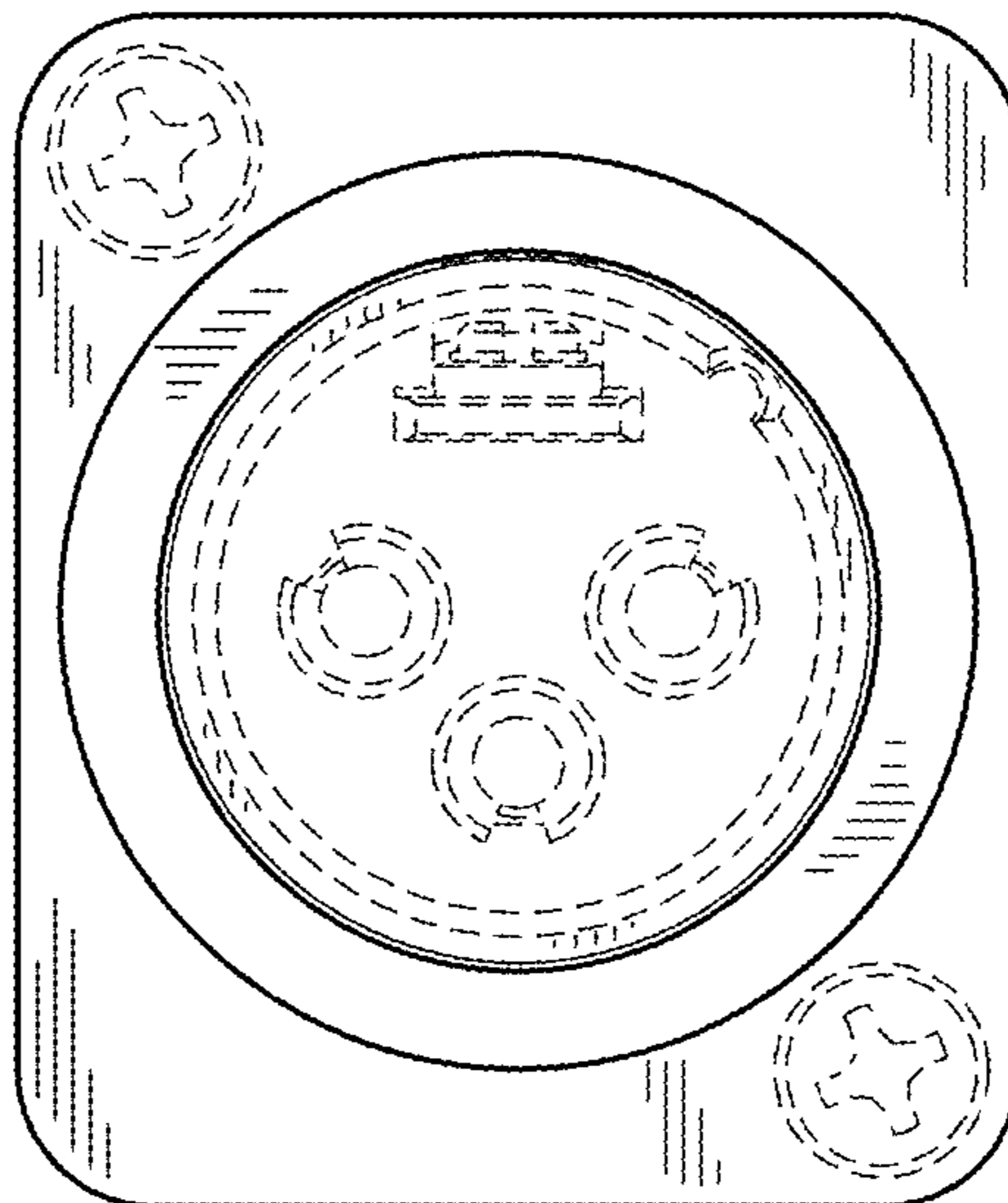


FIG. 9