



US00D826861S

(12) **United States Design Patent** (10) **Patent No.:** **US D826,861 S**
Gouhl et al. (45) **Date of Patent:** **** Aug. 28, 2018**

(54) **GROUND FAULT CIRCUIT INTERRUPTER RECEPTACLE WITH DUAL INDICATOR LIGHTS**

D744,423 S * 12/2015 Junko D13/139.1
D777,673 S * 1/2017 Gouhl D13/139.3
D778,238 S * 2/2017 Gouhl D13/137.3
2008/0024944 A1 * 1/2008 Gouhl H01H 83/04
361/42

(71) Applicant: **Eaton Intelligent Power Limited,**
Dublin (IE)

(72) Inventors: **Erik J. Gouhl,** Fayetteville, GA (US);
Luis F. Salas, Fayetteville, GA (US);
HongZhi Zhou, Dongguan (CN)

(73) Assignee: **Eaton Intelligent Power Limited,**
Dublin (IE)

(**) Term: **15 Years**

(21) Appl. No.: **29/538,777**

(22) Filed: **Sep. 8, 2015**

(51) **LOC (11) Cl.** **13-03**

(52) **U.S. Cl.**
USPC **D13/139.3**

(58) **Field of Classification Search**
USPC ... D13/139.1–139.8, 137.1–137.4, 153, 152;
335/18; 361/42
CPC H01H 83/04; H01H 1/0207
See application file for complete search history.

(56) **References Cited**

U.S. PATENT DOCUMENTS

4,802,052 A * 1/1989 Brant H01H 83/04
335/18
D430,539 S * 9/2000 Leopold D13/139.3
6,515,564 B2 * 2/2003 Leopold H01H 71/0207
335/18
D512,021 S * 11/2005 Fort D13/139.6
D521,932 S * 5/2006 Fort D13/139.6
D531,121 S * 10/2006 Fort D13/139.3
D536,305 S * 2/2007 Fort D13/139.6
D537,413 S * 2/2007 Fort D13/139.6
D598,859 S * 8/2009 Vaccaro D13/139.3
D692,830 S * 11/2013 Junko D13/139.3
D703,139 S * 4/2014 Dodal D13/139.1

OTHER PUBLICATIONS

Self-test GFCI receptacles, product description, EATON, Nov. 2014, 2 pages.

* cited by examiner

Primary Examiner — Rhea M Shields

(74) *Attorney, Agent, or Firm* — Myers Bigel, P.A.

(57) **CLAIM**

The ornamental design for a ground fault interrupter receptacle with dual indicator lights, as shown and described.

DESCRIPTION

FIG. 1 is a front view of a ground fault circuit interrupter receptacle with dual indicator lights, showing our new design;

FIG. 2 is a side perspective view thereof;

FIG. 3 is an opposing side perspective view thereof;

FIG. 4 is a front view thereof;

FIG. 5 is a side view thereof;

FIG. 6 is an opposing side view thereof;

FIG. 7 is another front view of a ground fault circuit interrupter receptacle with dual indicator lights, showing our new design;

FIG. 8 is a side perspective view thereof;

FIG. 9 is an opposing side perspective view thereof;

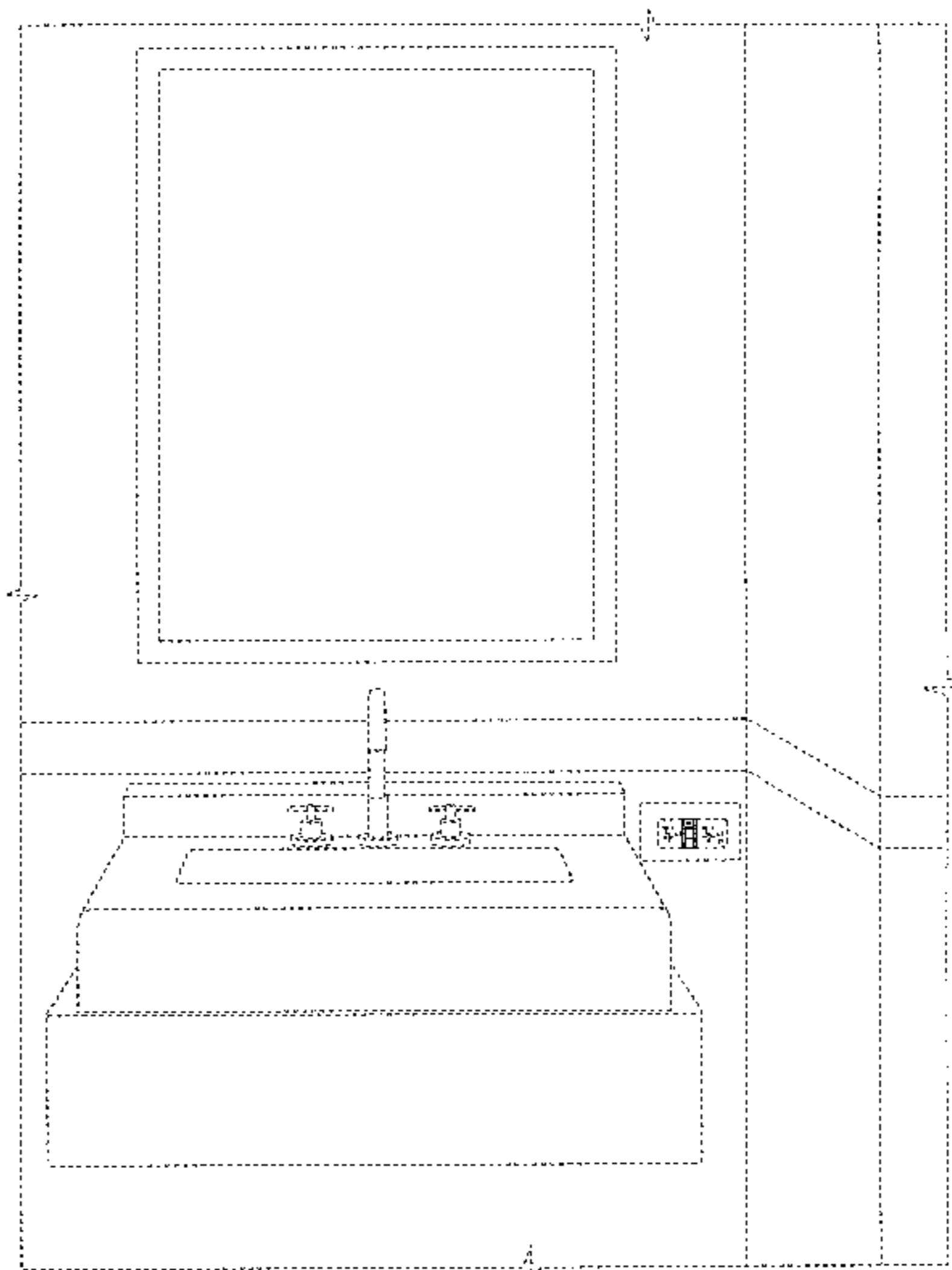
FIG. 10 is a front view thereof;

FIG. 11 is a side view thereof; and,

FIG. 12 is an opposing side view thereof.

In the drawings, the broken lines are for the purpose of illustrating environment only and form no part of the claimed design.

1 Claim, 8 Drawing Sheets



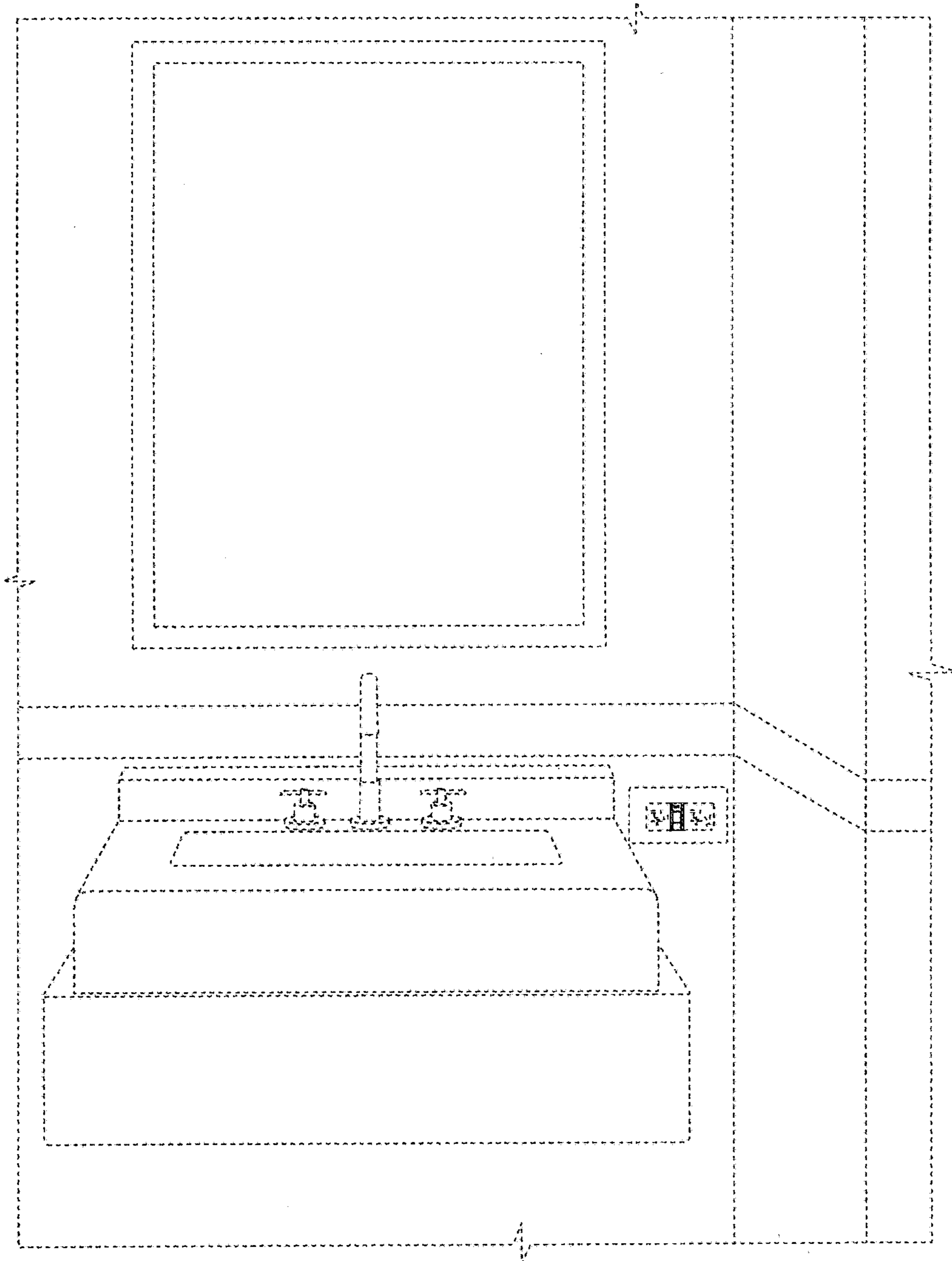


Figure 1

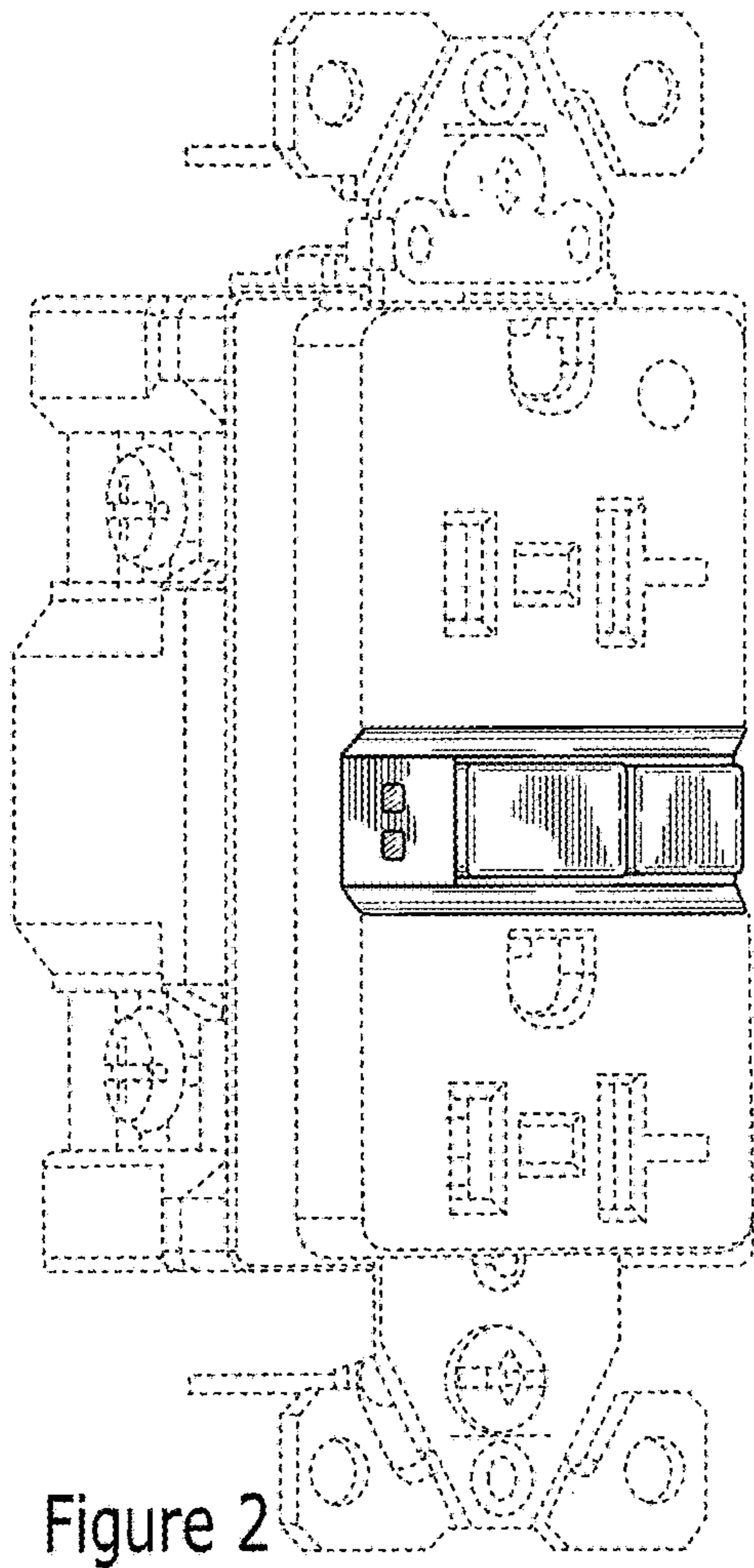


Figure 2

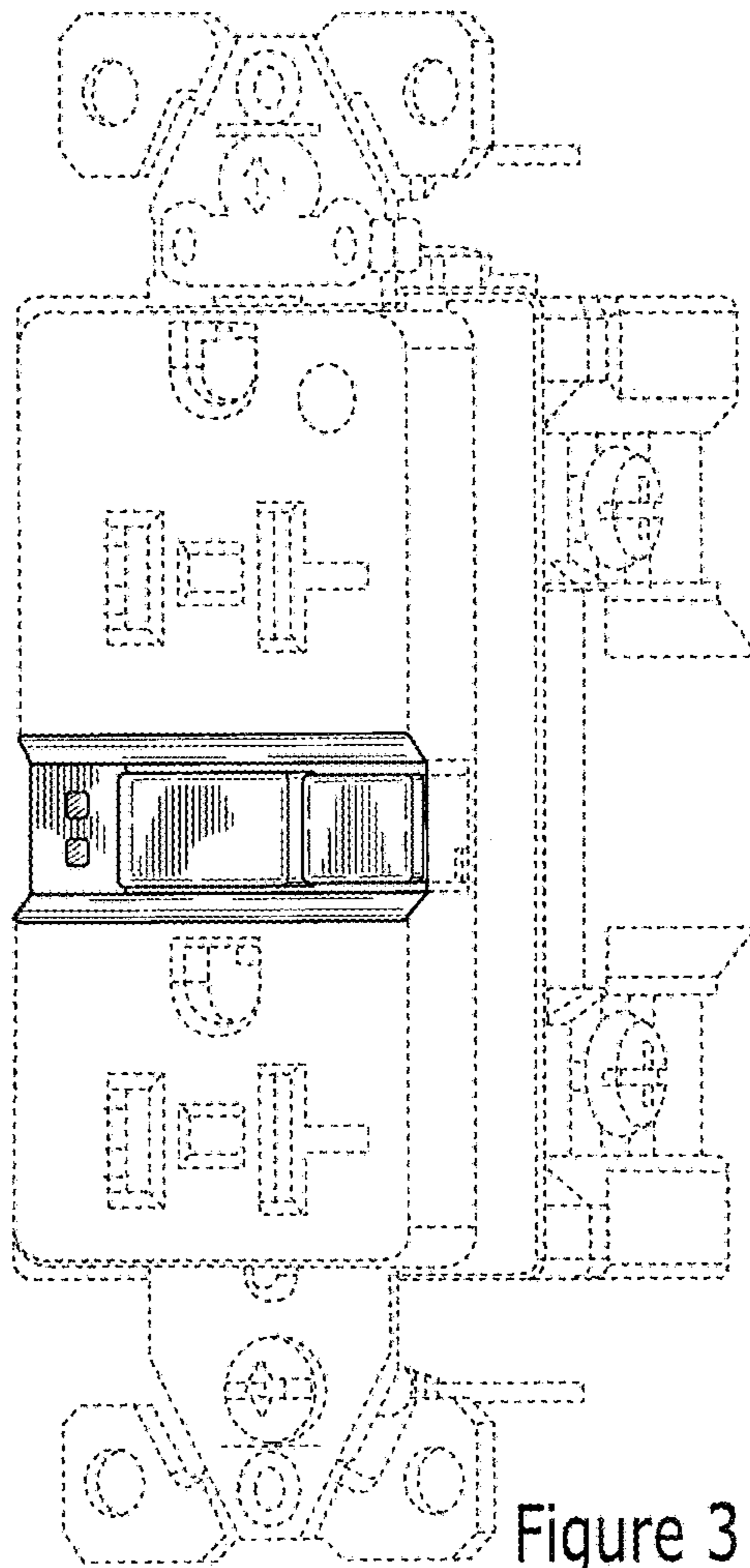


Figure 3

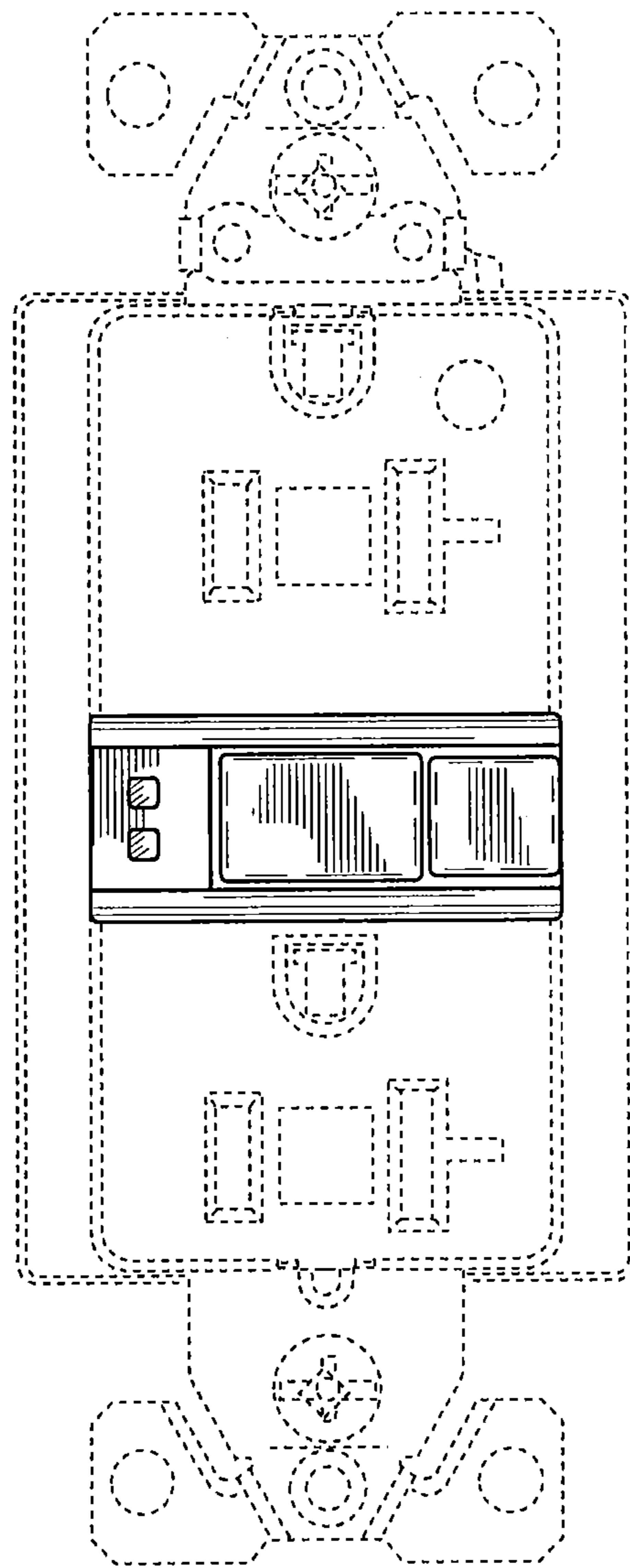


Figure 4

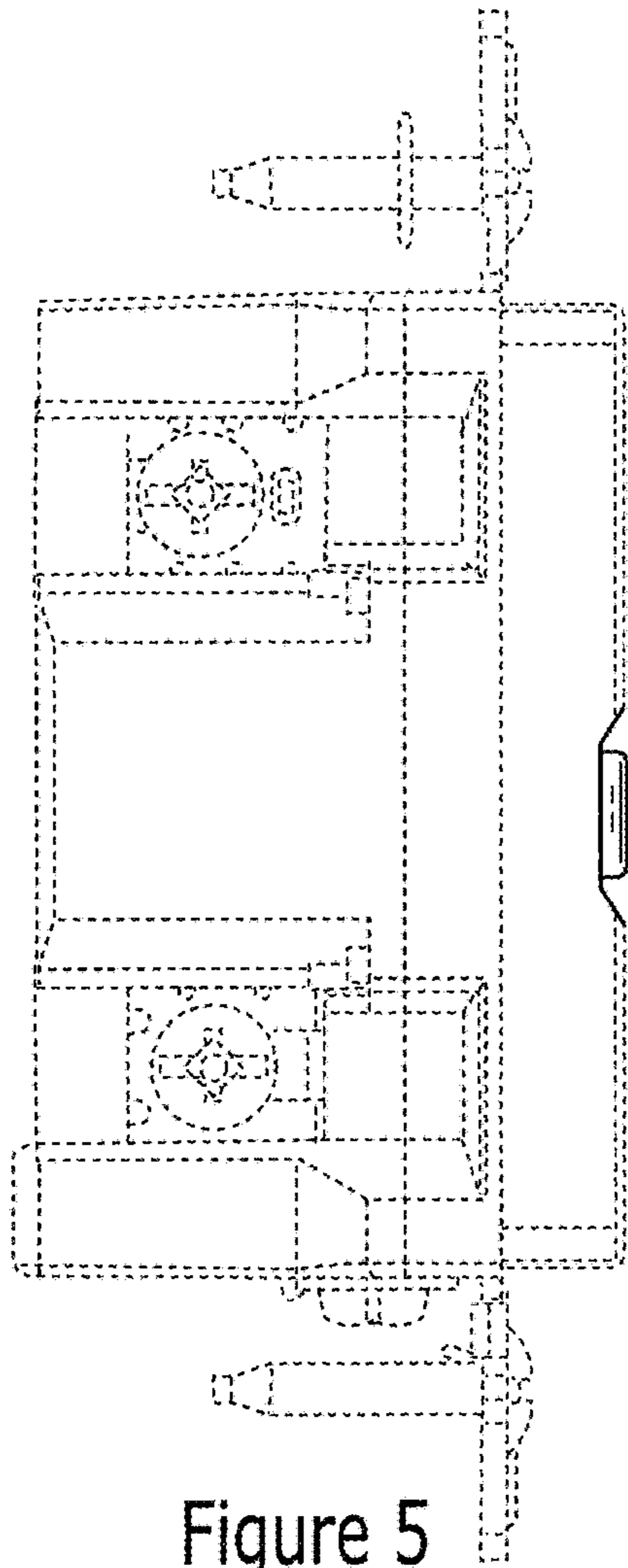


Figure 5

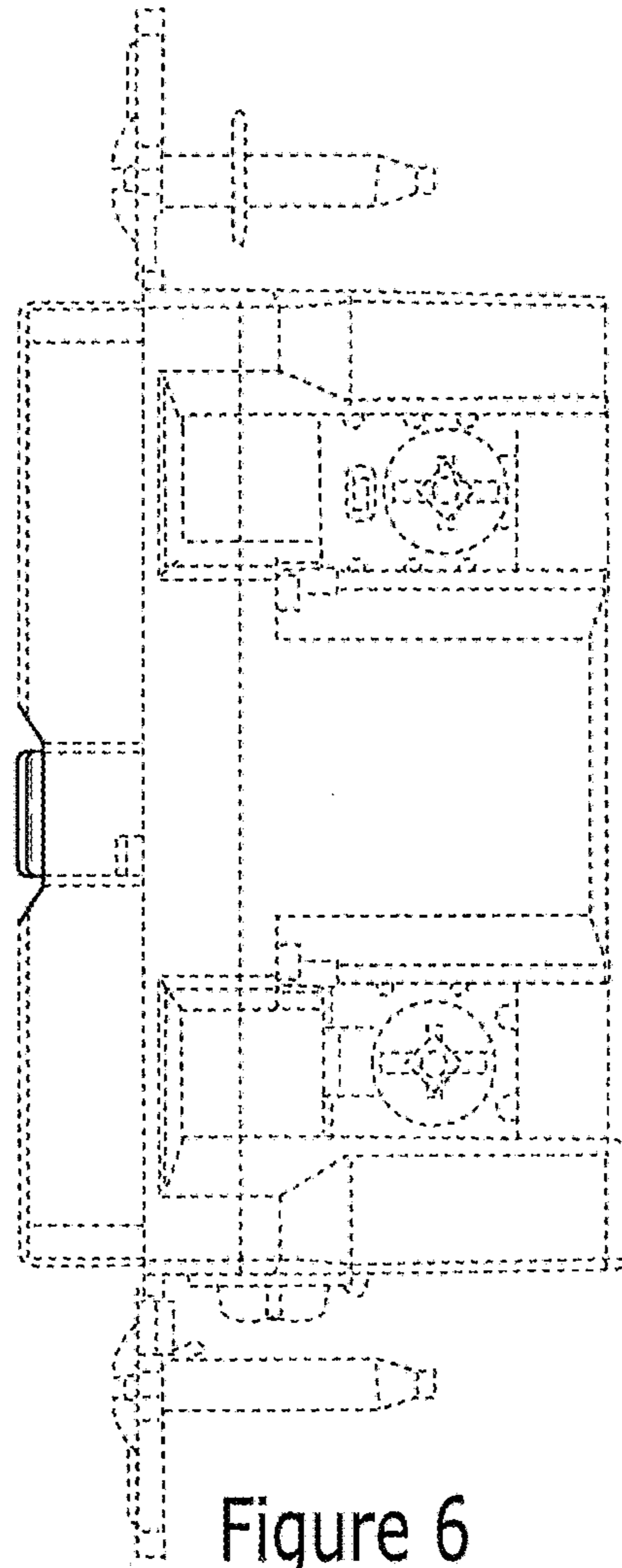


Figure 6

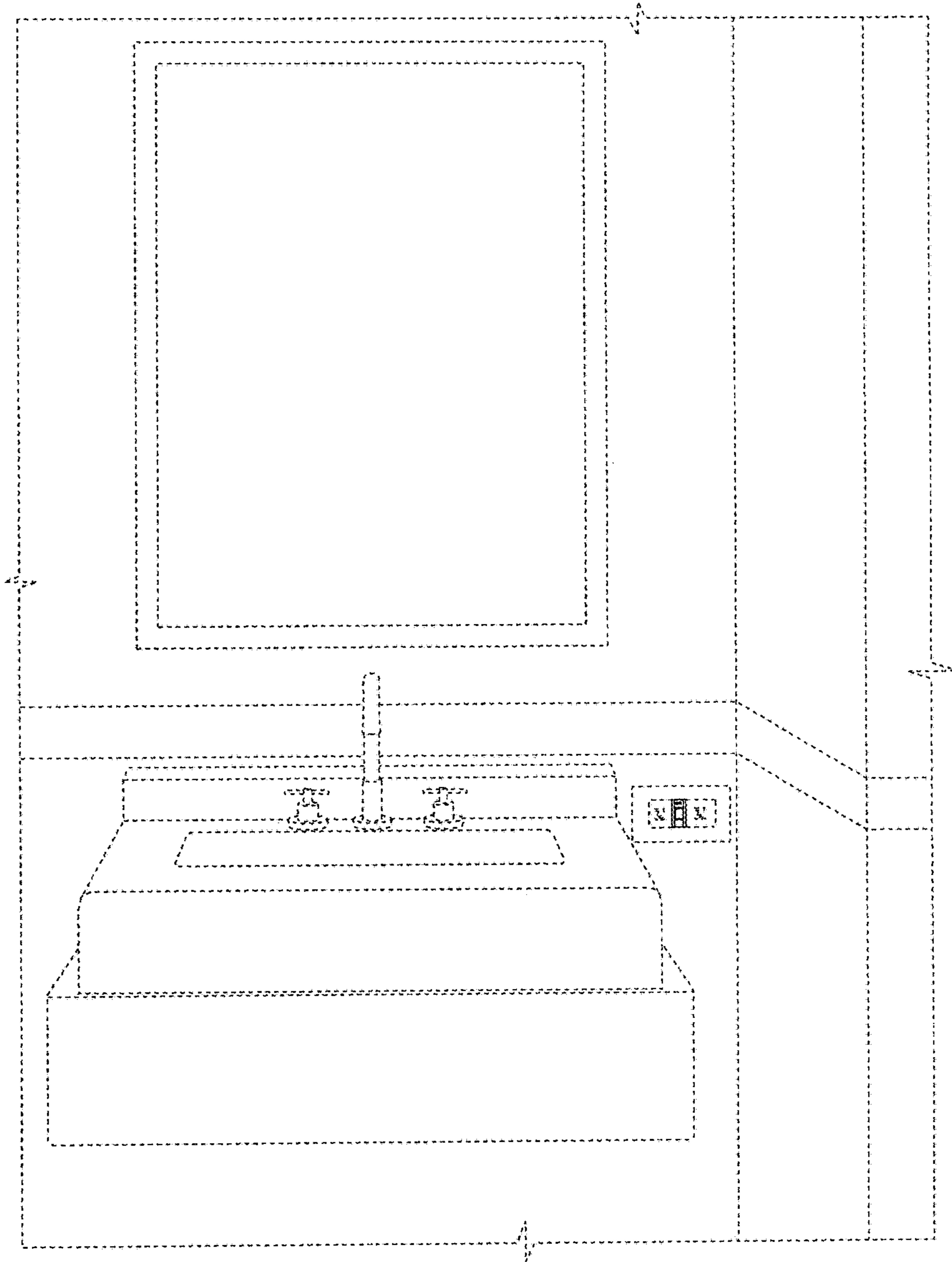


Figure 7

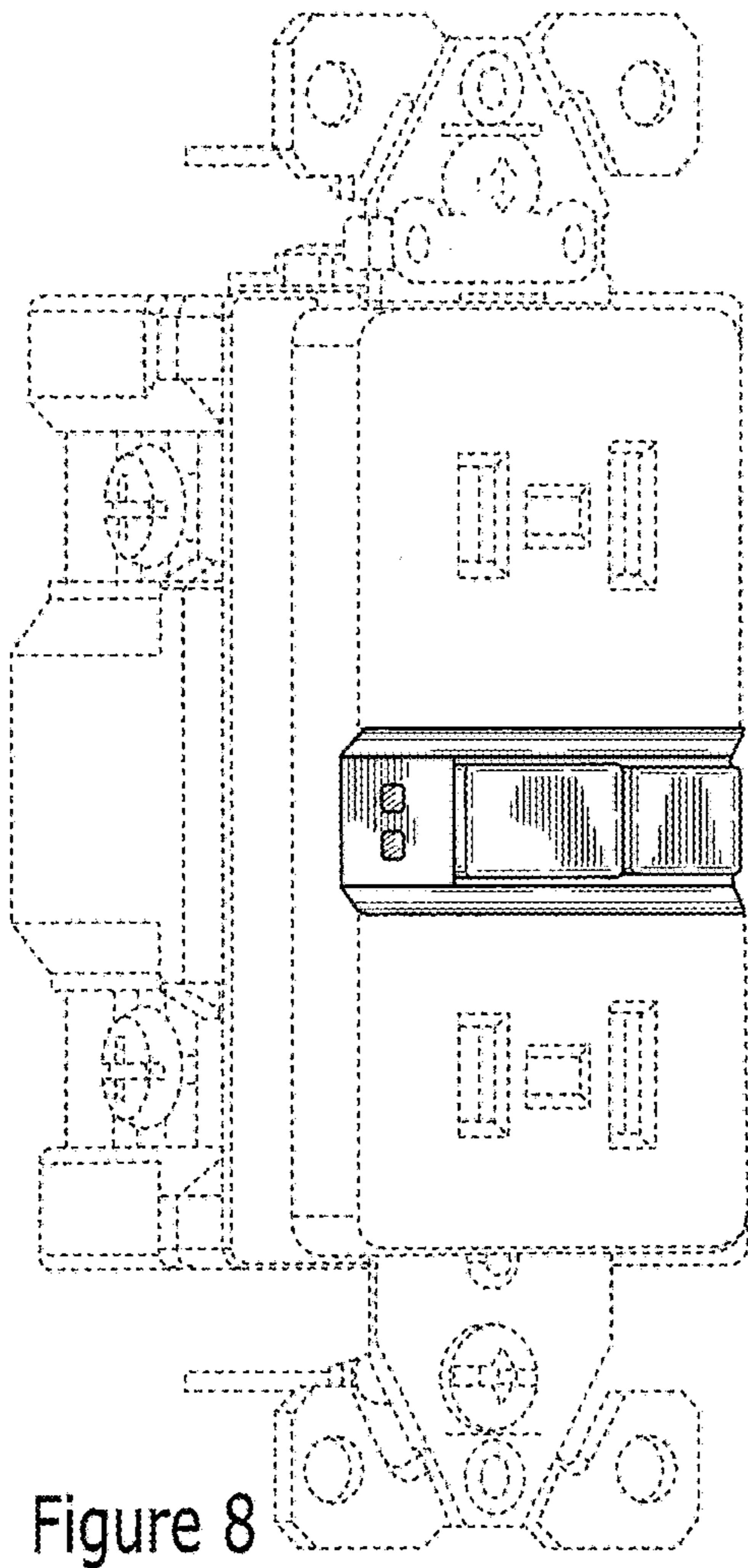


Figure 8

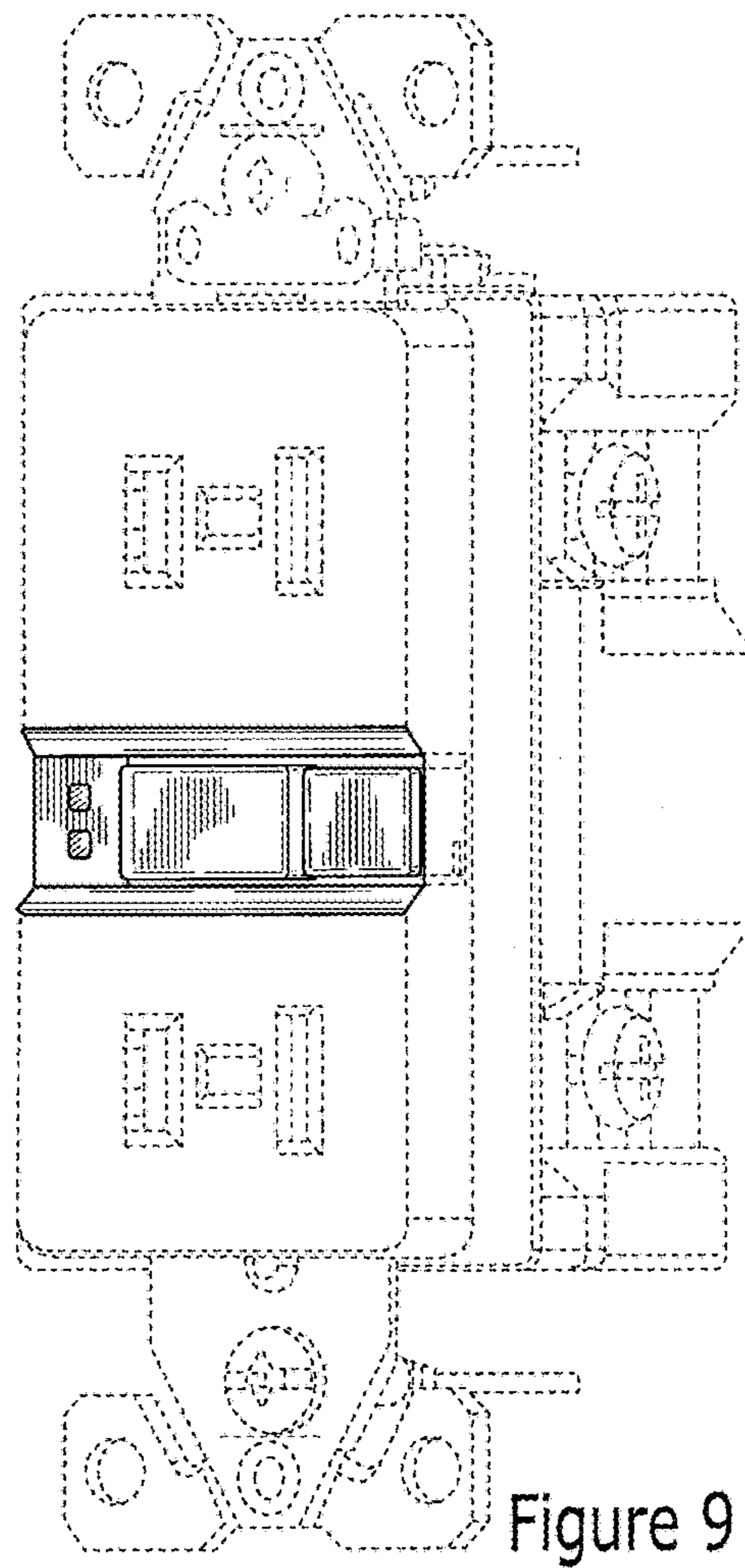


Figure 9

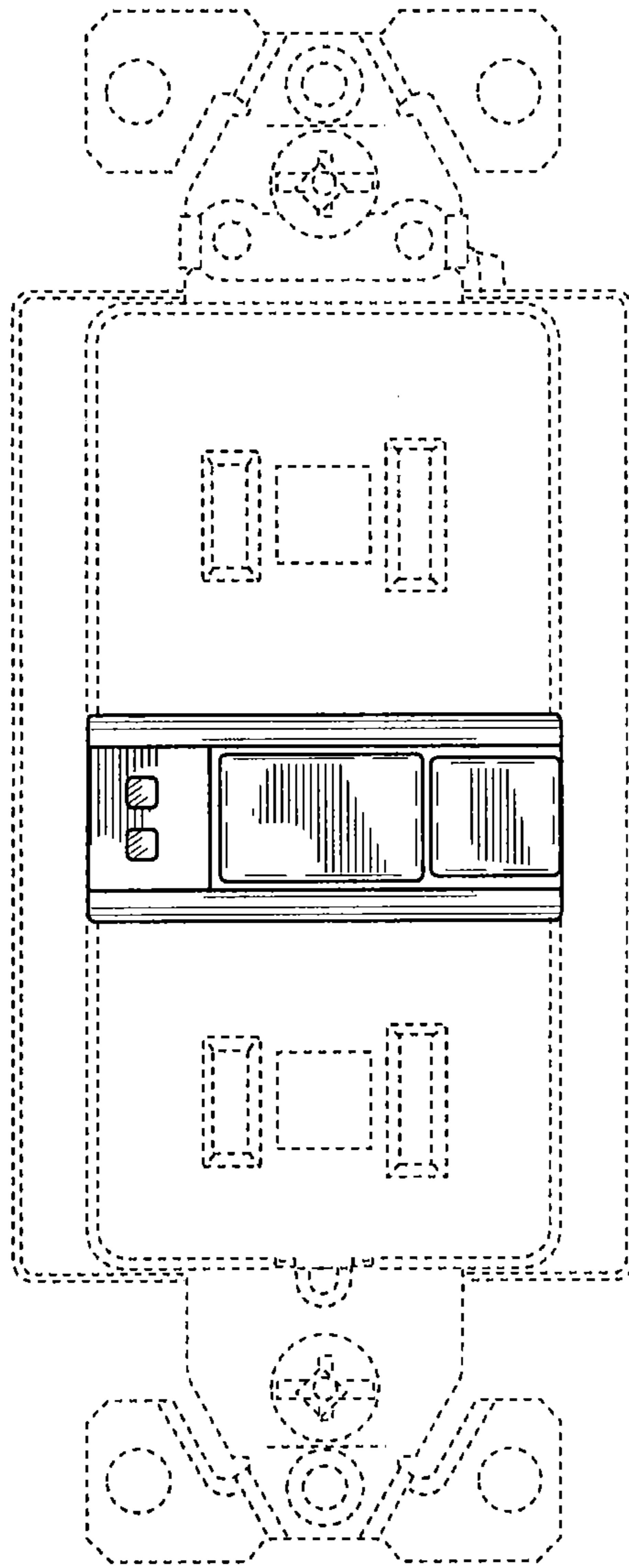


Figure 10

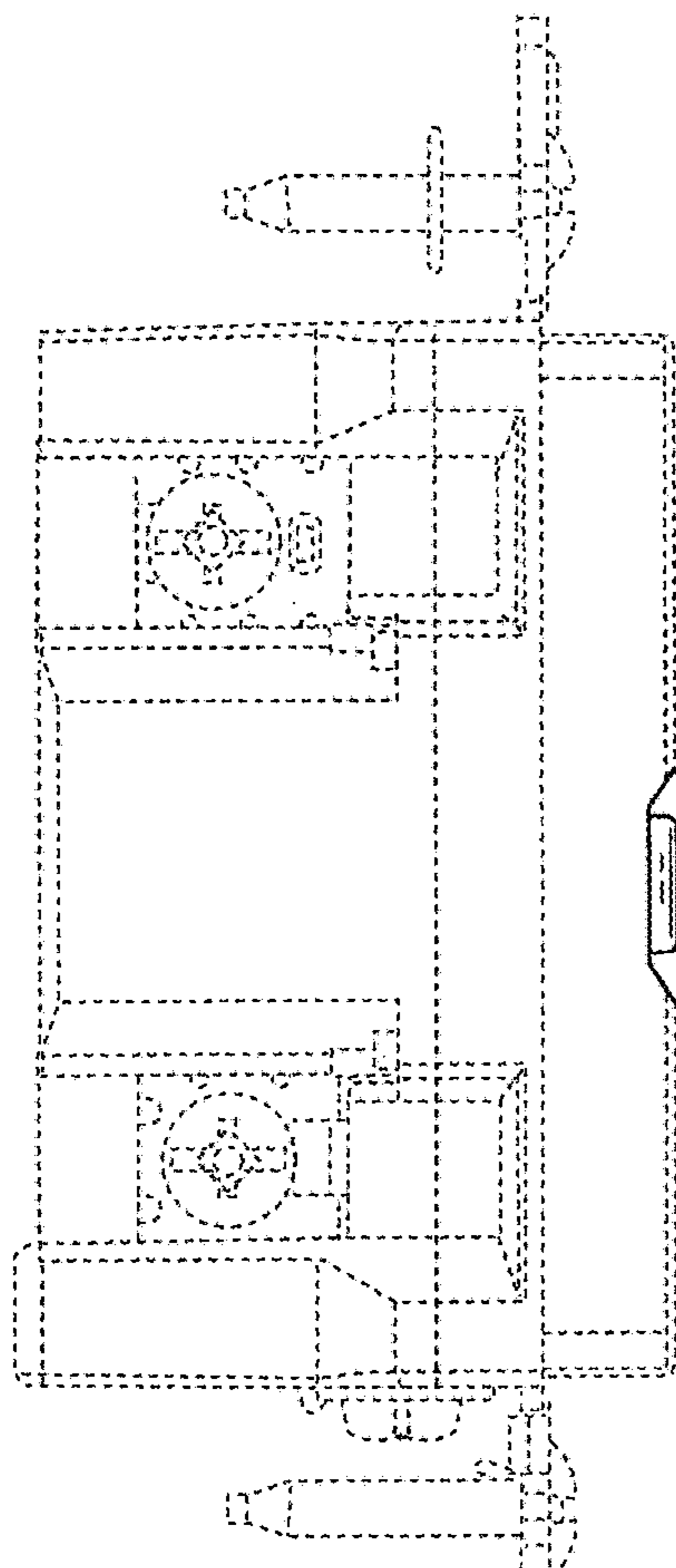


Figure 11

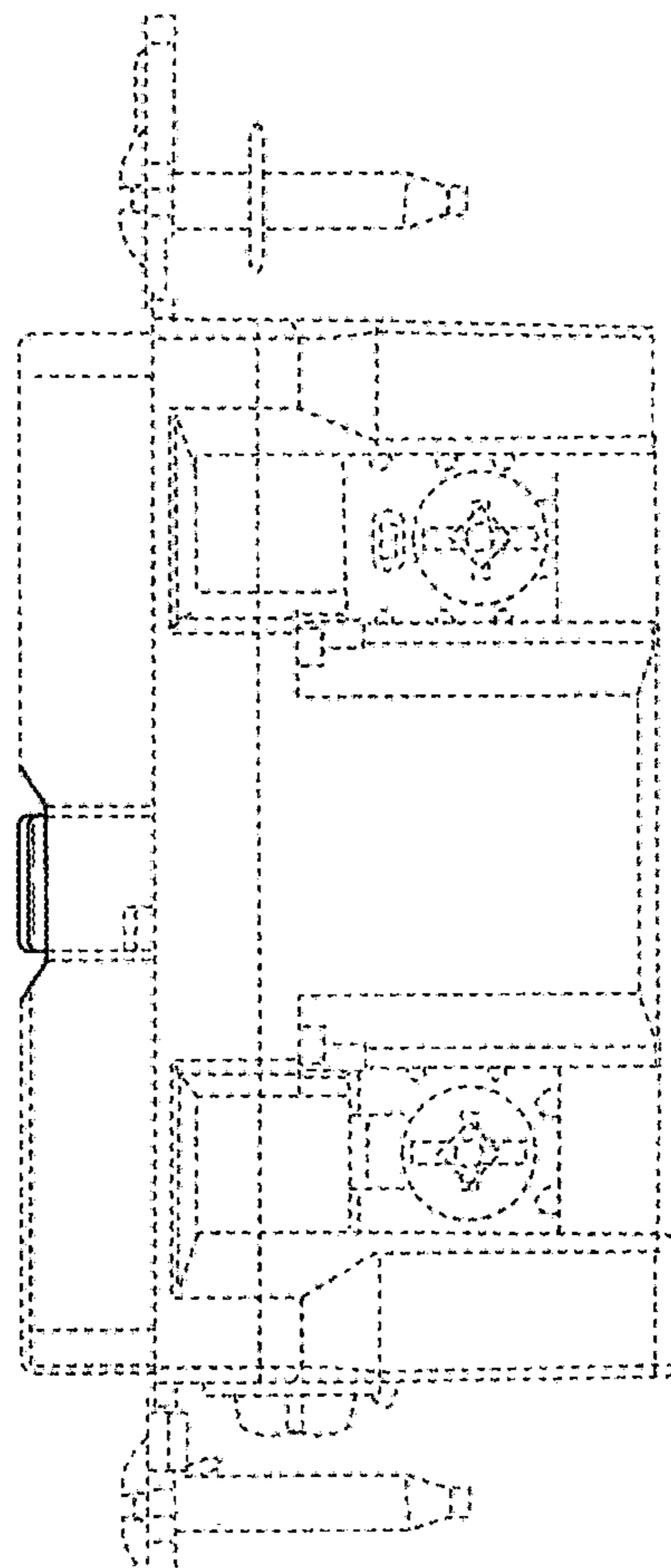


Figure 12