



US00D826860S

(12) **United States Design Patent** (10) **Patent No.:** **US D826,860 S**
Iaconis et al. (45) **Date of Patent:** **** Aug. 28, 2018**

(54) **WALL-MOUNTED MULTIFUNCTIONAL ELECTRICAL RECEPTACLE**
(71) Applicant: **SHD Smart Home Devices Ltd.**,
Burnaby (CA)
(72) Inventors: **Jean-Louis Iaconis**, Burnaby (CA);
Jordan Anguelov, Burnaby (CA); **Long Fei Zhao**,
Richmond (CA); **Robert J. B. Taylor**, Halfmoon Bay (CA)
(**) Term: **15 Years**
(21) Appl. No.: **29/541,787**
(22) Filed: **Oct. 7, 2015**
(51) **LOC (11) Cl.** **13-03**
(52) **U.S. Cl.**
USPC **D13/139.1**
(58) **Field of Classification Search**
USPC D13/139.1-139.8, 152, 146, 147, 156,
D13/137.2, 155, 110, 177, 108, 184;
(Continued)

(56) **References Cited**
U.S. PATENT DOCUMENTS
5,723,817 A * 3/1998 Arenas H02G 3/14
174/66
D424,523 S * 5/2000 Hughes D13/147
(Continued)

FOREIGN PATENT DOCUMENTS
CN 202564656 U 11/2012
Primary Examiner — Rhea Shields

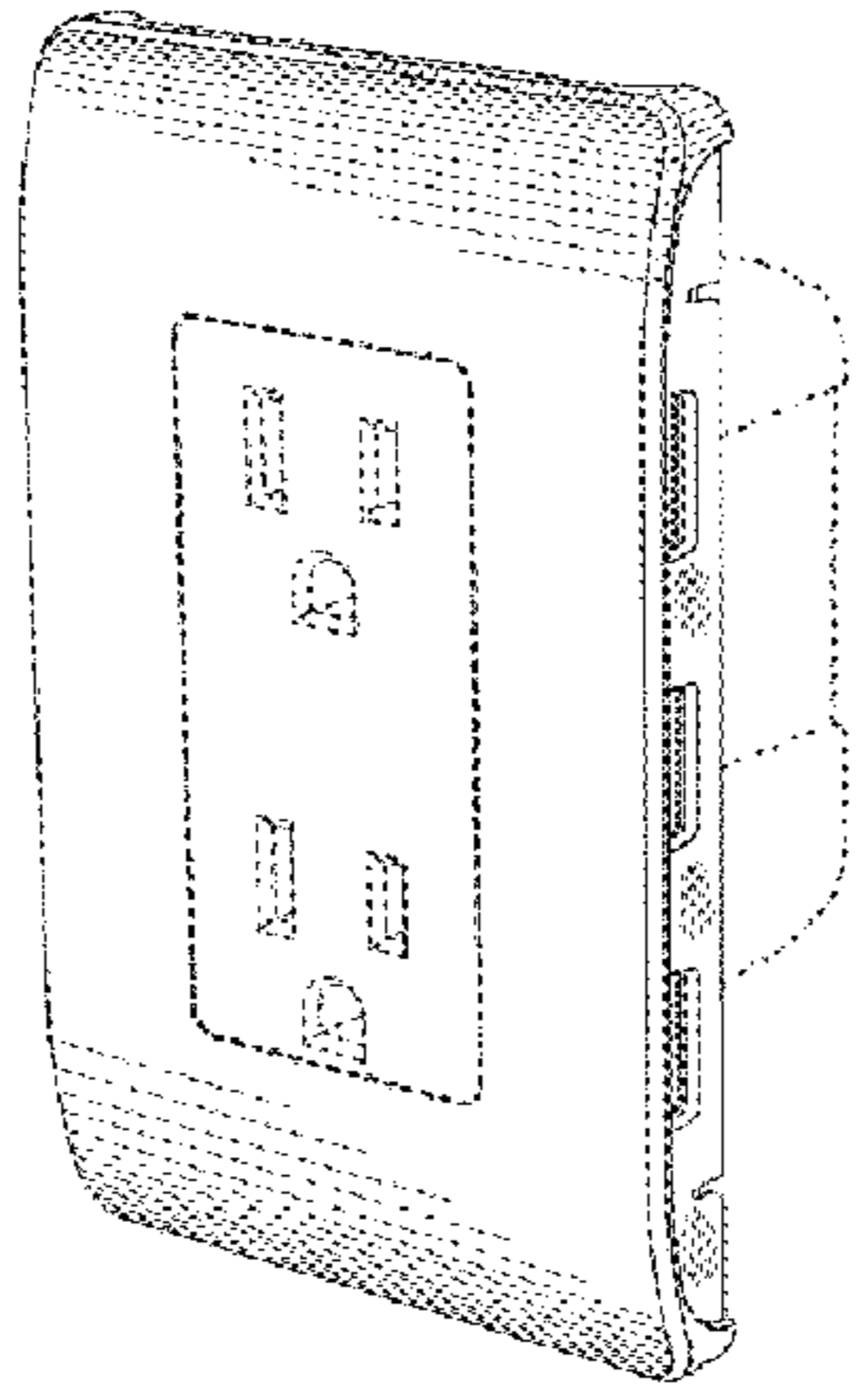
(57) **CLAIM**
The ornamental design for a wall-mounted multifunctional electrical receptacle, as shown and described.

DESCRIPTION

FIG. 1 is a perspective view of a first embodiment of the wall mounted multifunctional electrical receptacle; showing our new design;

FIG. 2 is a front view thereof;
FIG. 3 is a right side view thereof, the left side being a mirror image thereof;
FIG. 4 is a top plan view thereof, the bottom plan view being a mirror image thereof;
FIG. 5 is a rear view thereof;
FIG. 6 is a perspective view of a second embodiment of the wall mounted multifunctional electrical receptacle; showing our new design;
FIG. 7 is a front view thereof;
FIG. 8 is a right side view thereof, the left side being a mirror image thereof;
FIG. 9 is a top plan view thereof, the bottom plan view being a mirror image thereof;
FIG. 10 is a rear view thereof;
FIG. 11 is a perspective view of a third embodiment of the wall mounted multifunctional electrical receptacle; showing our new design;
FIG. 12 is a front view thereof;
FIG. 13 is a right side view thereof, the left side being a mirror image thereof;
FIG. 14 is a top plan view thereof, the bottom plan view being a mirror image thereof;
FIG. 15 is a rear view thereof;
FIG. 16 is a perspective view of a fourth embodiment of the wall mounted multifunctional electrical receptacle; showing our new design;
FIG. 17 is a front view thereof;
FIG. 18 is a right side view thereof, the left side being a mirror image;
FIG. 19 is a top plan view thereof, the bottom plan view being a mirror image thereof;
FIG. 20 is a rear view thereof;
FIG. 21 is a perspective view of a fifth embodiment of the wall mounted multifunctional electrical receptacle; showing our new design;
FIG. 22 is a front view thereof;
FIG. 23 is a right side view thereof, the left side being a mirror image thereof;
FIG. 24 is a top plan view thereof, the bottom plan view being a mirror image thereof; and,
FIG. 25 is a rear view thereof.

The design consists of the features of shape, ornament, pattern and configuration of the portion of the wall-mounted
(Continued)



multifunctional electrical receptacle shown in solid lines in the drawings. In the drawings, the broken lines are for the purpose of illustrating environment only and form no part of the claimed design.

1 Claim, 25 Drawing Sheets

(58) **Field of Classification Search**

USPC D8/350, 353; D10/40; 307/117;
D14/433, 140.1, 356, 434; 174/481, 66

CPC H01R 13/652; H02J 7/0004
See application file for complete search history.

(56) **References Cited**

U.S. PATENT DOCUMENTS

D463,367 S * 9/2002 Luu D13/139.1
D521,001 S * 5/2006 Xiao D14/356
D523,397 S * 6/2006 Maglionico D13/137.2
7,342,173 B1 * 3/2008 Kidman H02G 3/083
174/481
D576,866 S * 9/2008 Kidman D8/353
D595,229 S * 6/2009 LaGrotta D13/137.2
7,663,866 B2 * 2/2010 Lee H01R 13/652
307/117
D611,900 S * 3/2010 Yang D13/108
D615,053 S * 5/2010 Saari D13/184

D628,157 S * 11/2010 Su D13/139.8
D638,688 S * 5/2011 Sheremeta D13/177
D645,443 S * 9/2011 Maruyama D14/140.1
D646,683 S * 10/2011 Tao D14/433
D651,974 S * 1/2012 Benedetti D13/137.2
D660,131 S * 5/2012 Tailor D8/353
D667,736 S * 9/2012 Stack D10/40
D672,724 S * 12/2012 Kajiura D13/147
D679,256 S * 4/2013 Ericksen D13/156
D680,953 S * 4/2013 Kuo D13/137.2
D682,206 S * 5/2013 Farris-Gilbert H01R 13/652
D13/110
D695,693 S * 12/2013 Lee D13/152
D699,183 S * 2/2014 Zaslavsky D13/110
D700,892 S * 3/2014 Segnit D13/137.2
8,794,997 B2 8/2014 Tin
D718,243 S * 11/2014 Scholeno D13/147
D729,612 S * 5/2015 de Peralta D8/350
D731,430 S * 6/2015 Segnit D13/137.2
D734,253 S * 7/2015 Tinaphong H02J 7/0004
D13/108
D750,083 S * 2/2016 Chow D14/434
D753,063 S * 4/2016 Gelonese D13/137.2
D775,077 S * 12/2016 Xu D13/137.2
D776,056 S * 1/2017 Block D13/137.2
D781,240 S * 3/2017 Karlsson D13/155
D793,397 S * 8/2017 Eliyahu D14/433
D794,028 S * 8/2017 Lin D14/433
D804,287 S * 12/2017 Baldwin D8/350
D804,429 S * 12/2017 Baldwin D13/156
D807,298 S * 1/2018 Xu D13/139.8

* cited by examiner

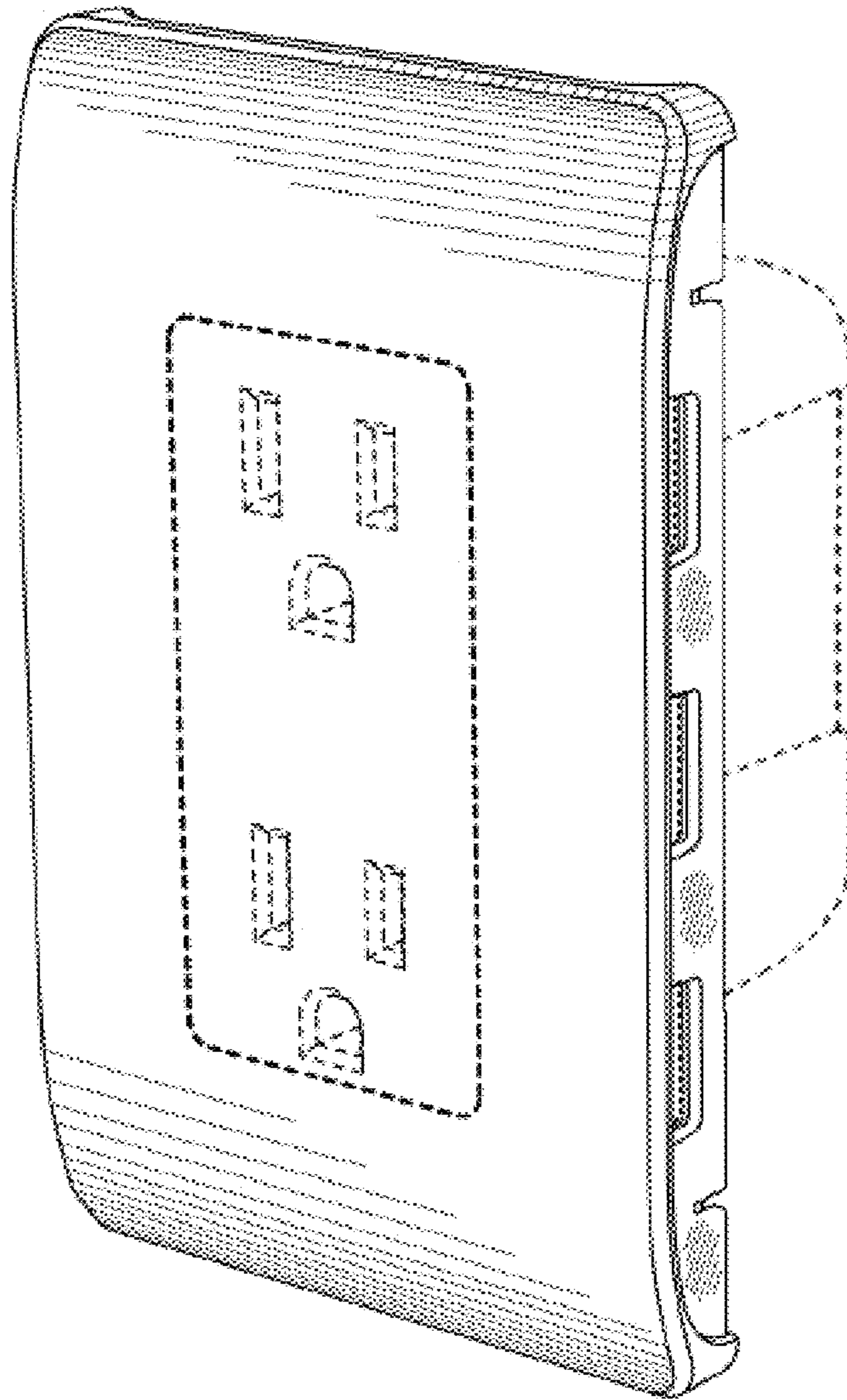


FIG. 1

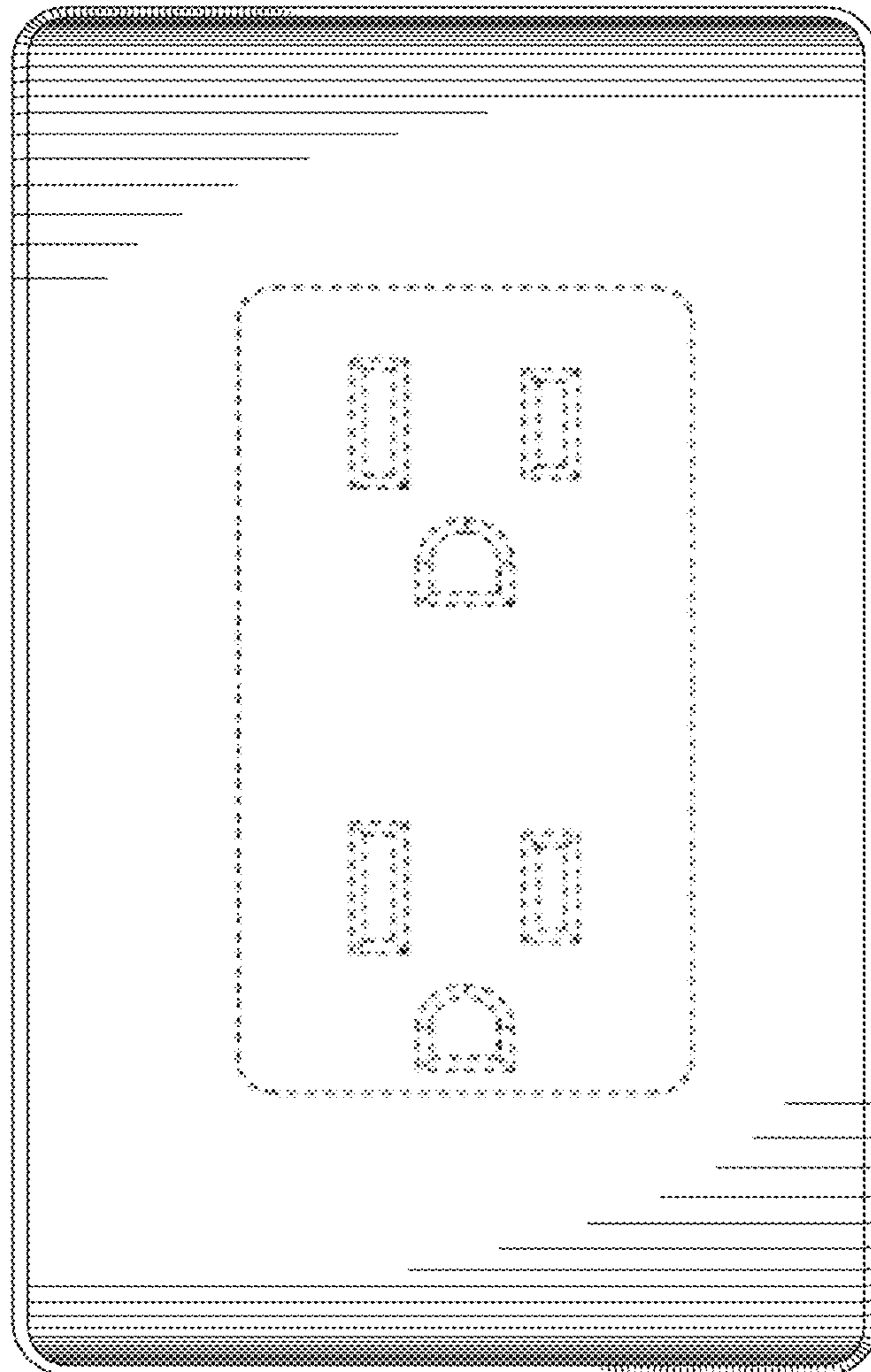


FIG. 2

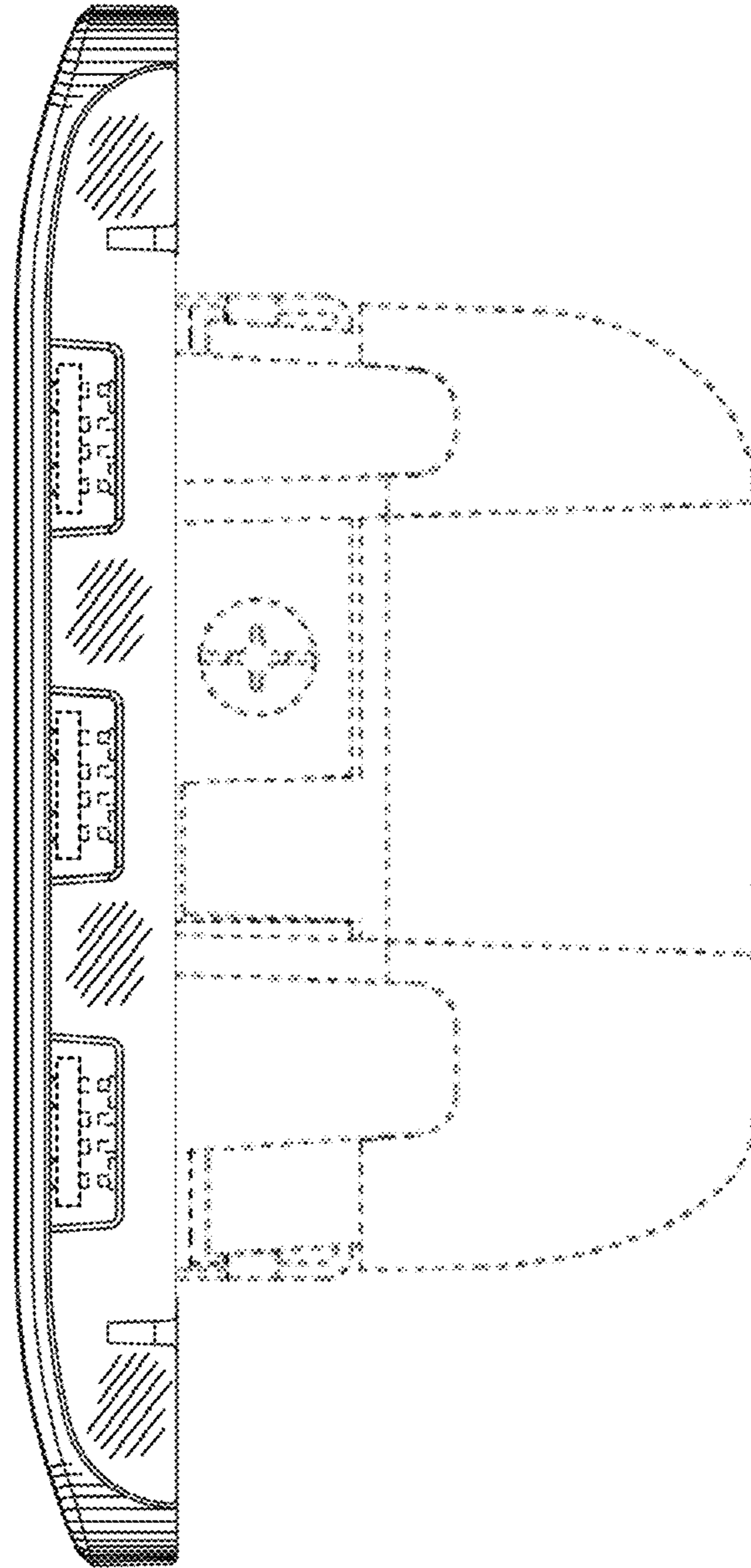


FIG. 3

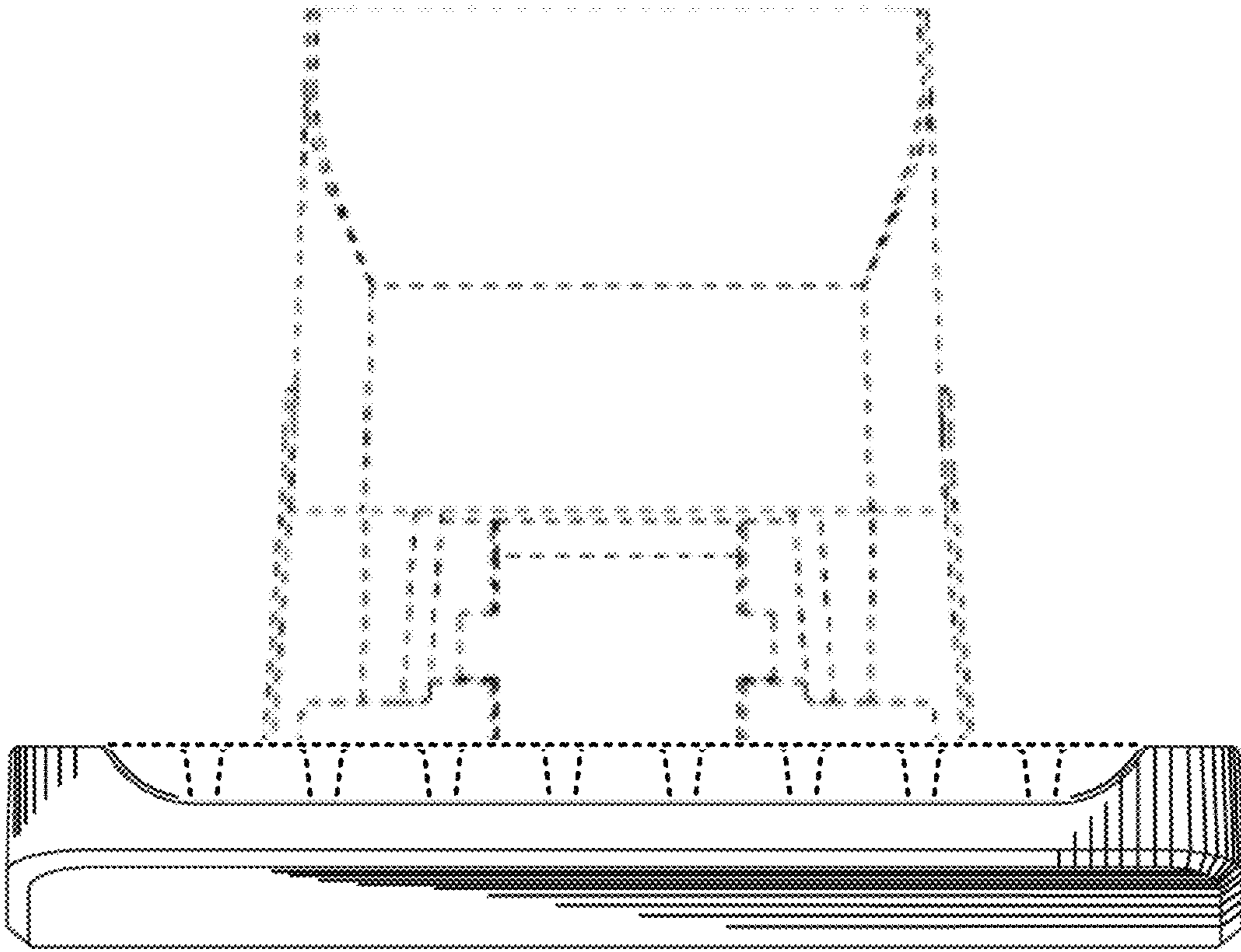


FIG. 4

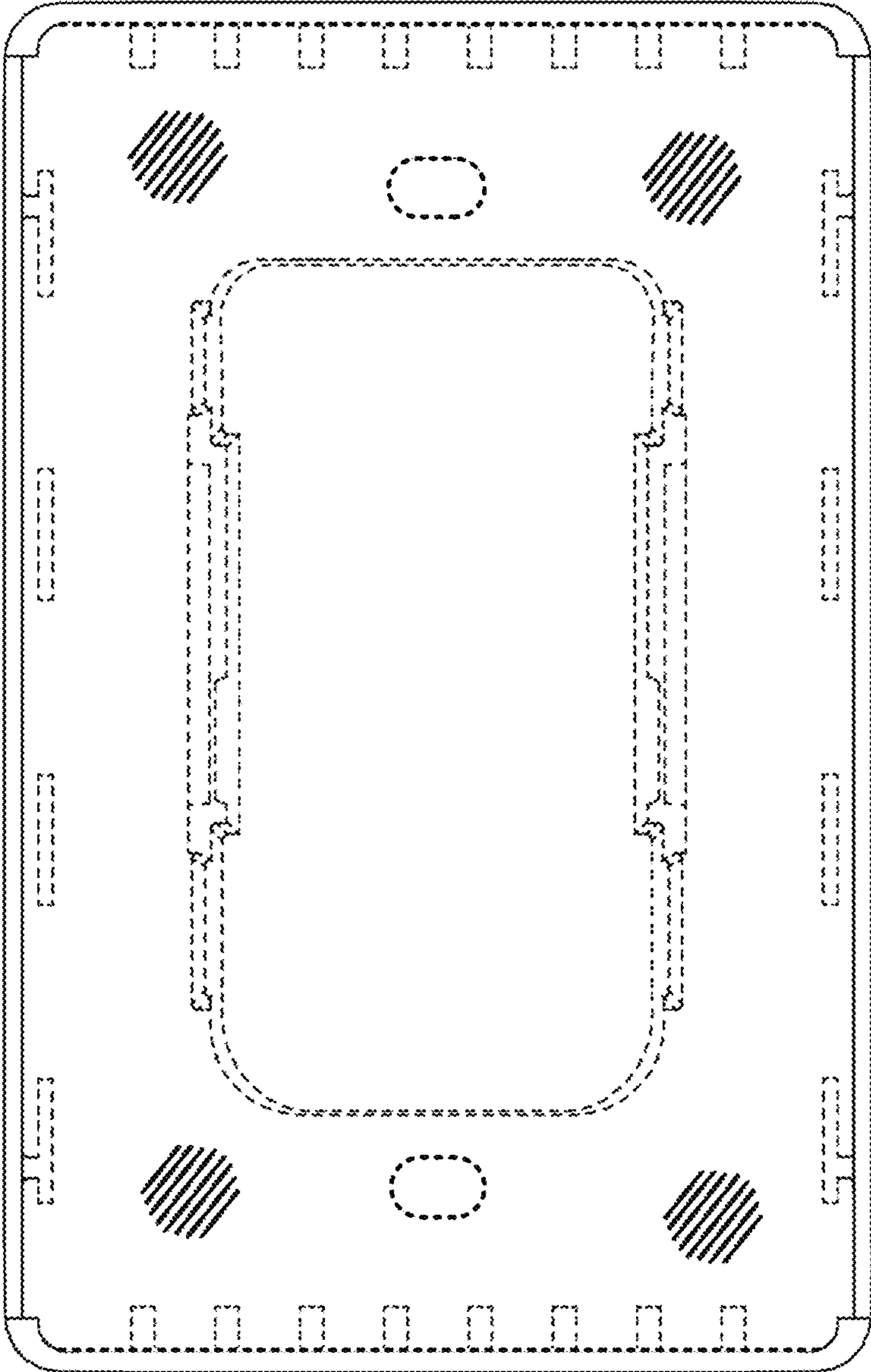


FIG. 5

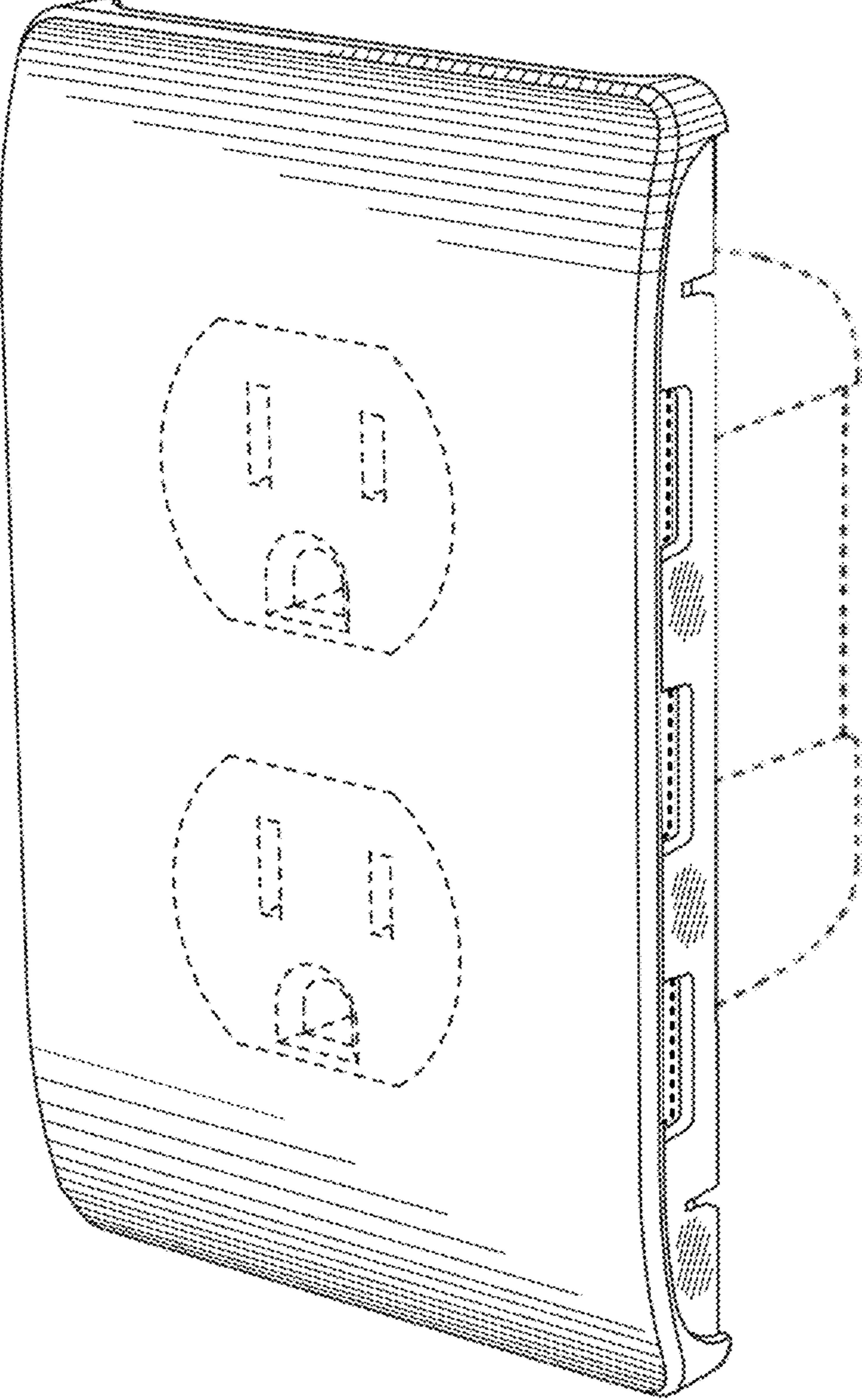


FIG. 6

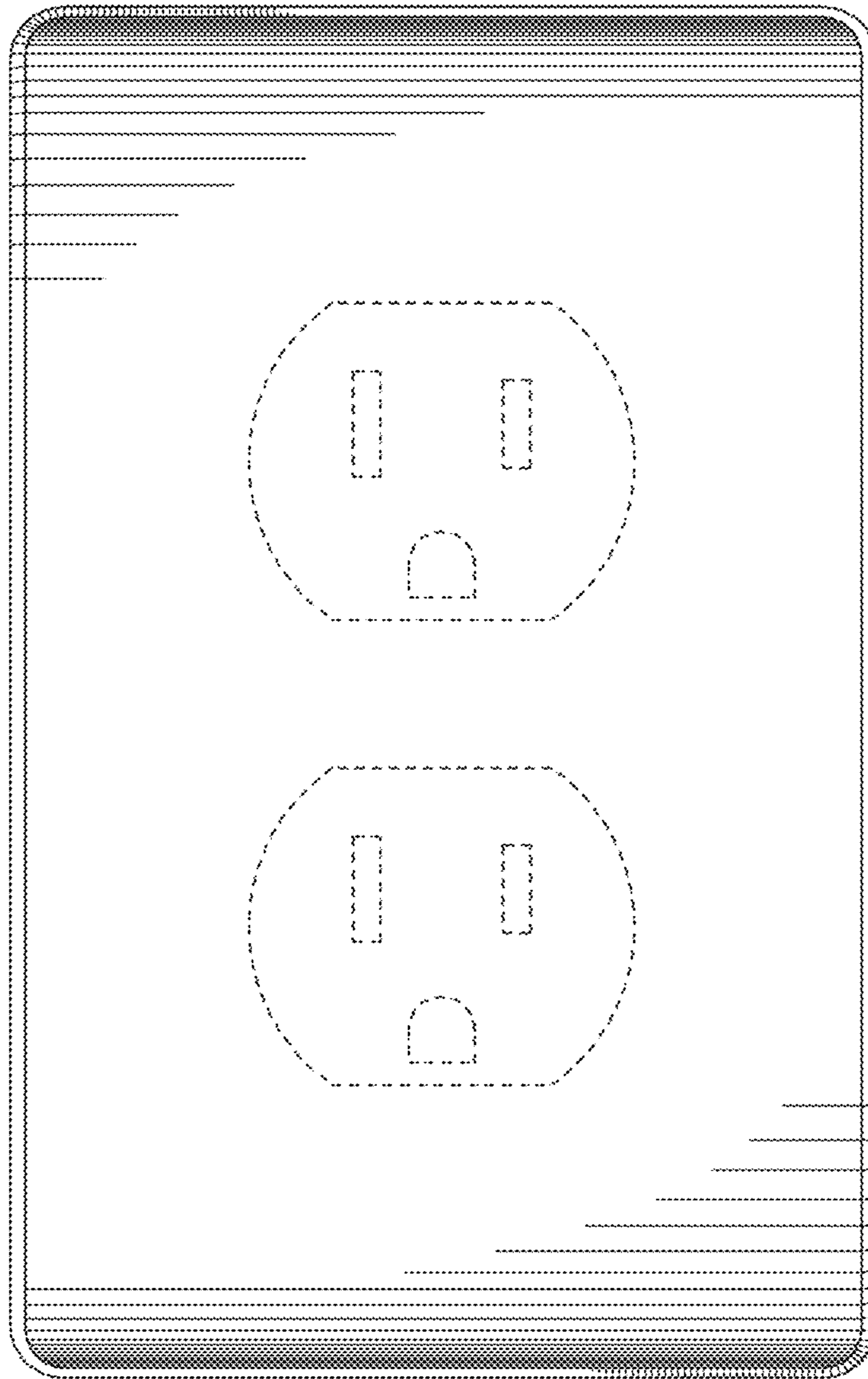


FIG. 7

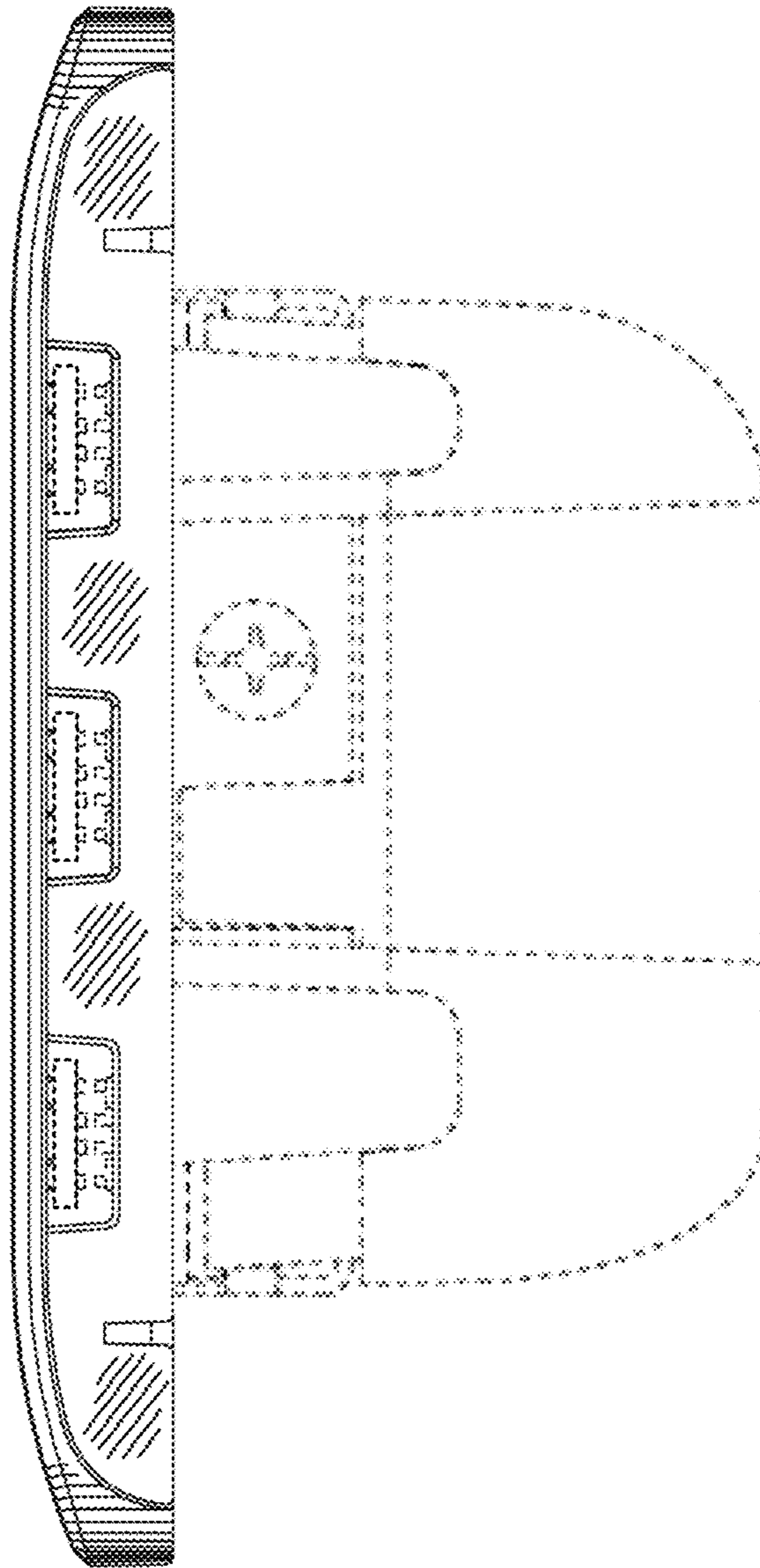


FIG. 8

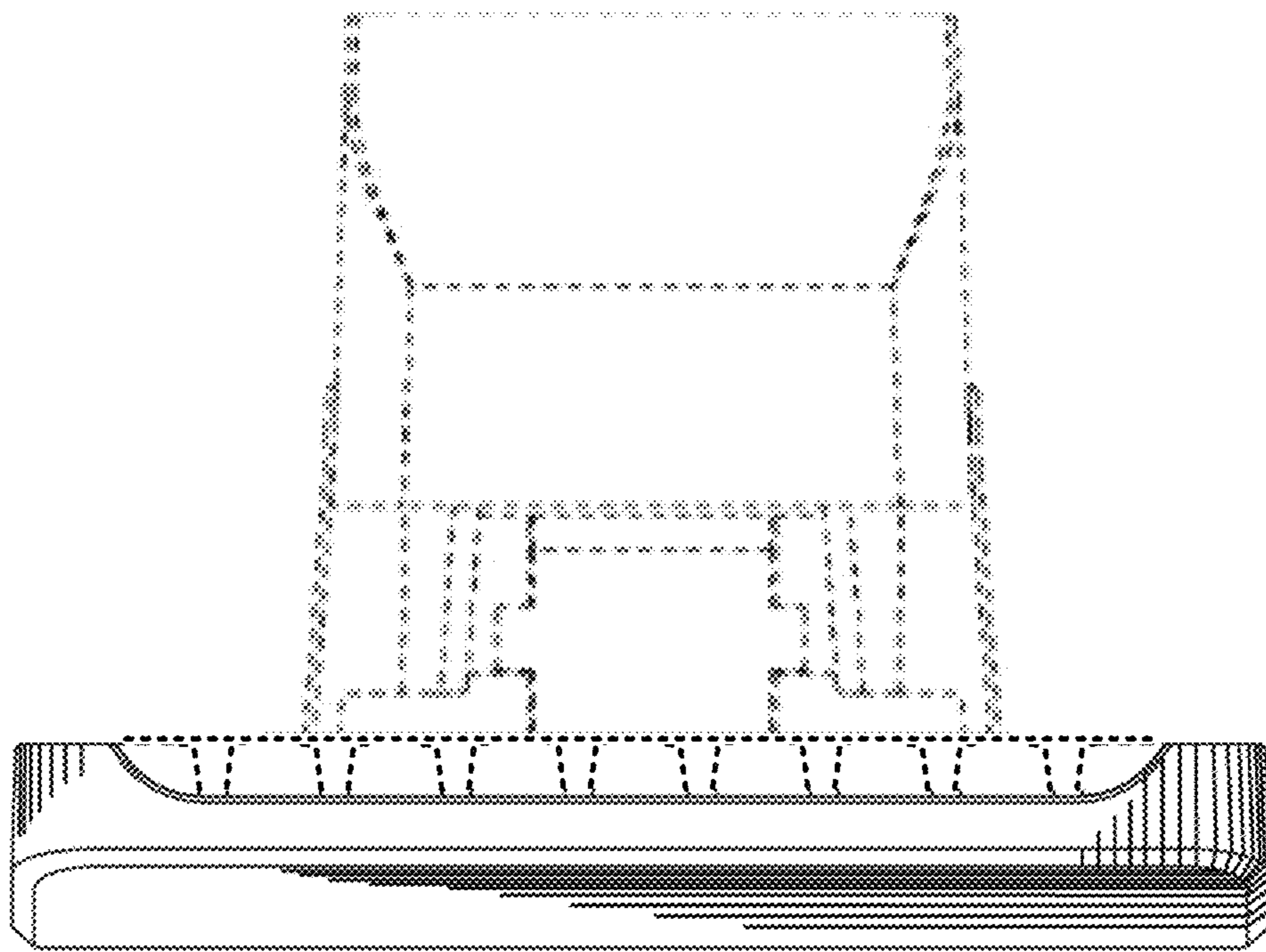


FIG. 9

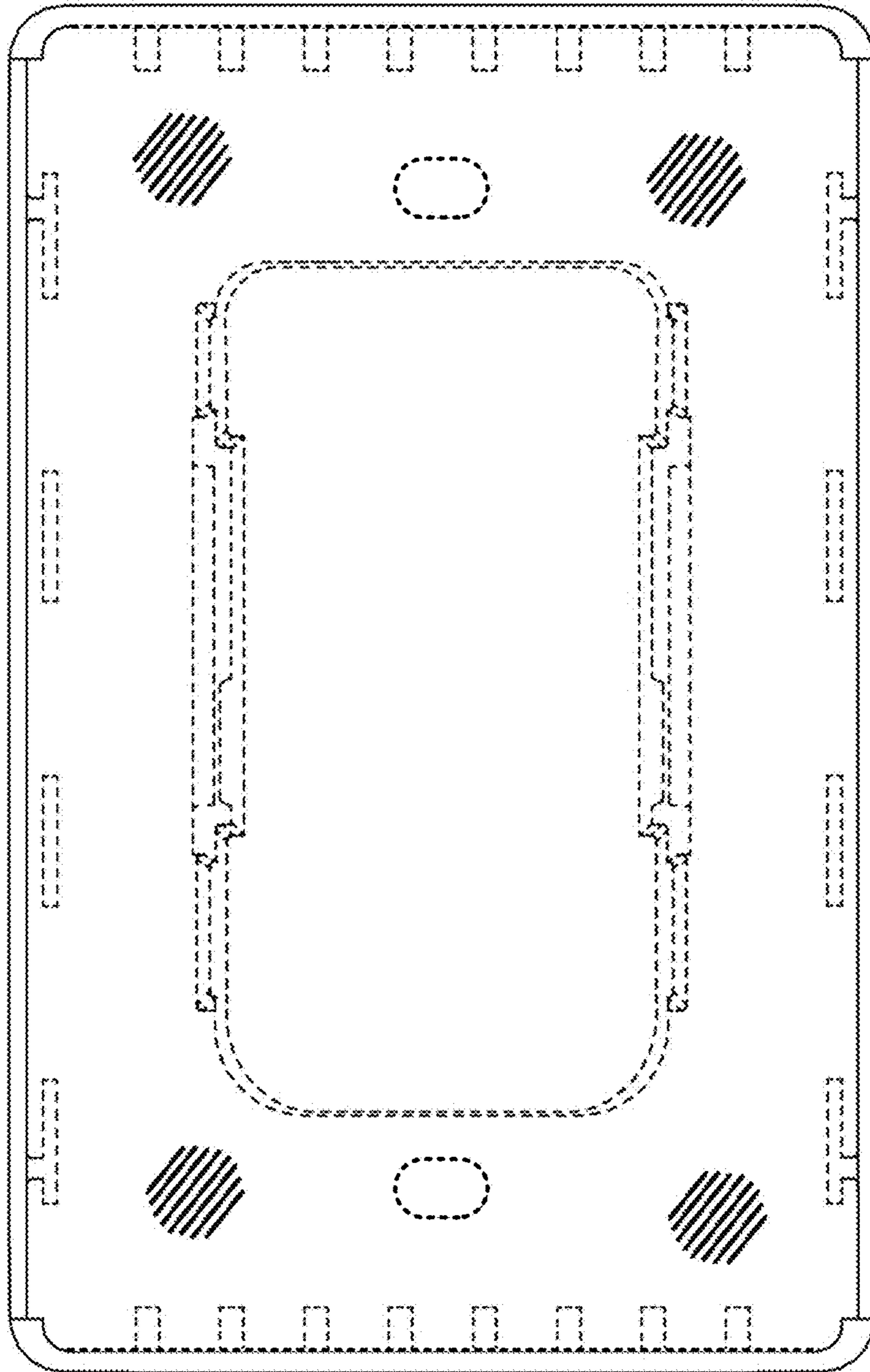


FIG. 10

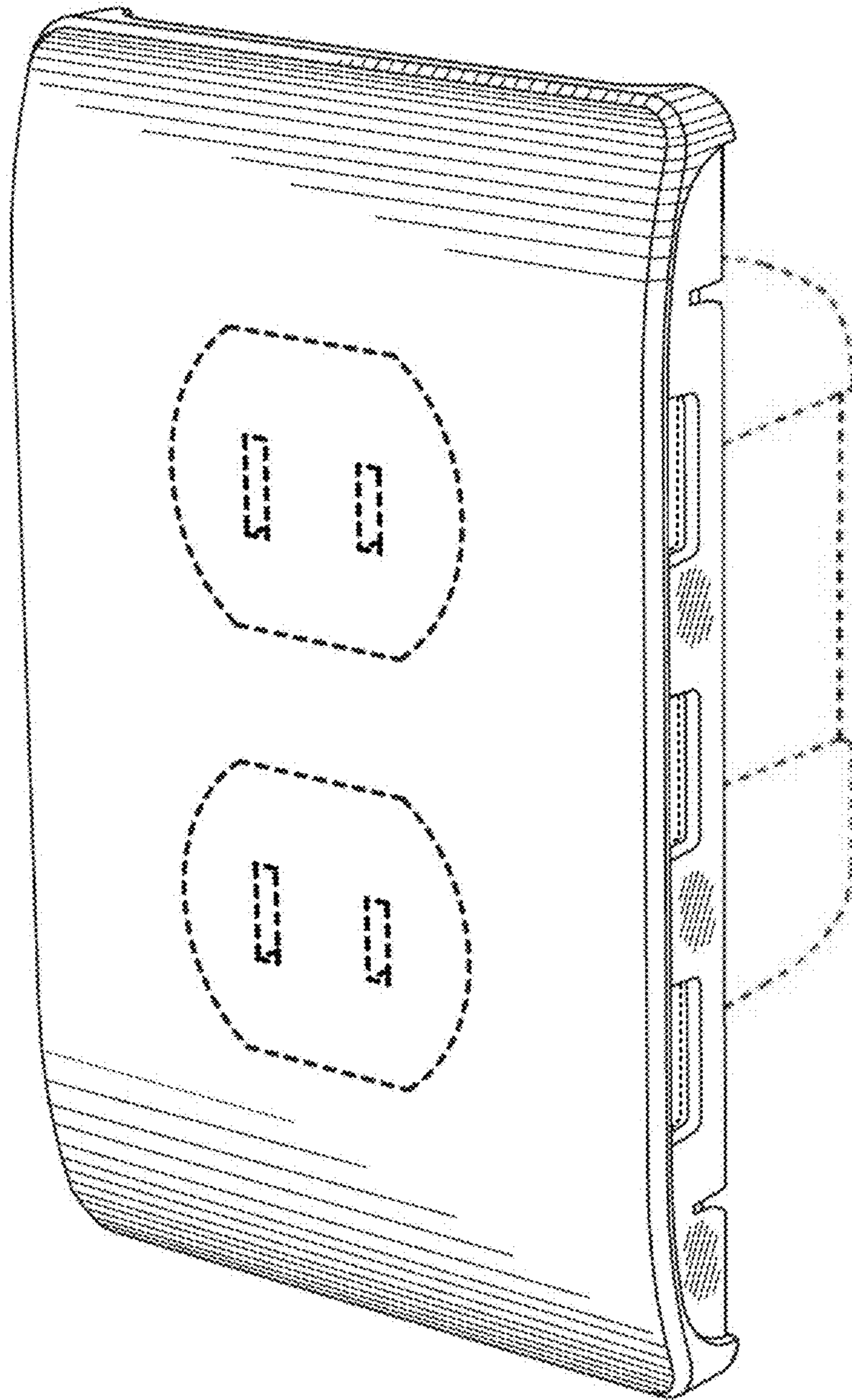


FIG. 11

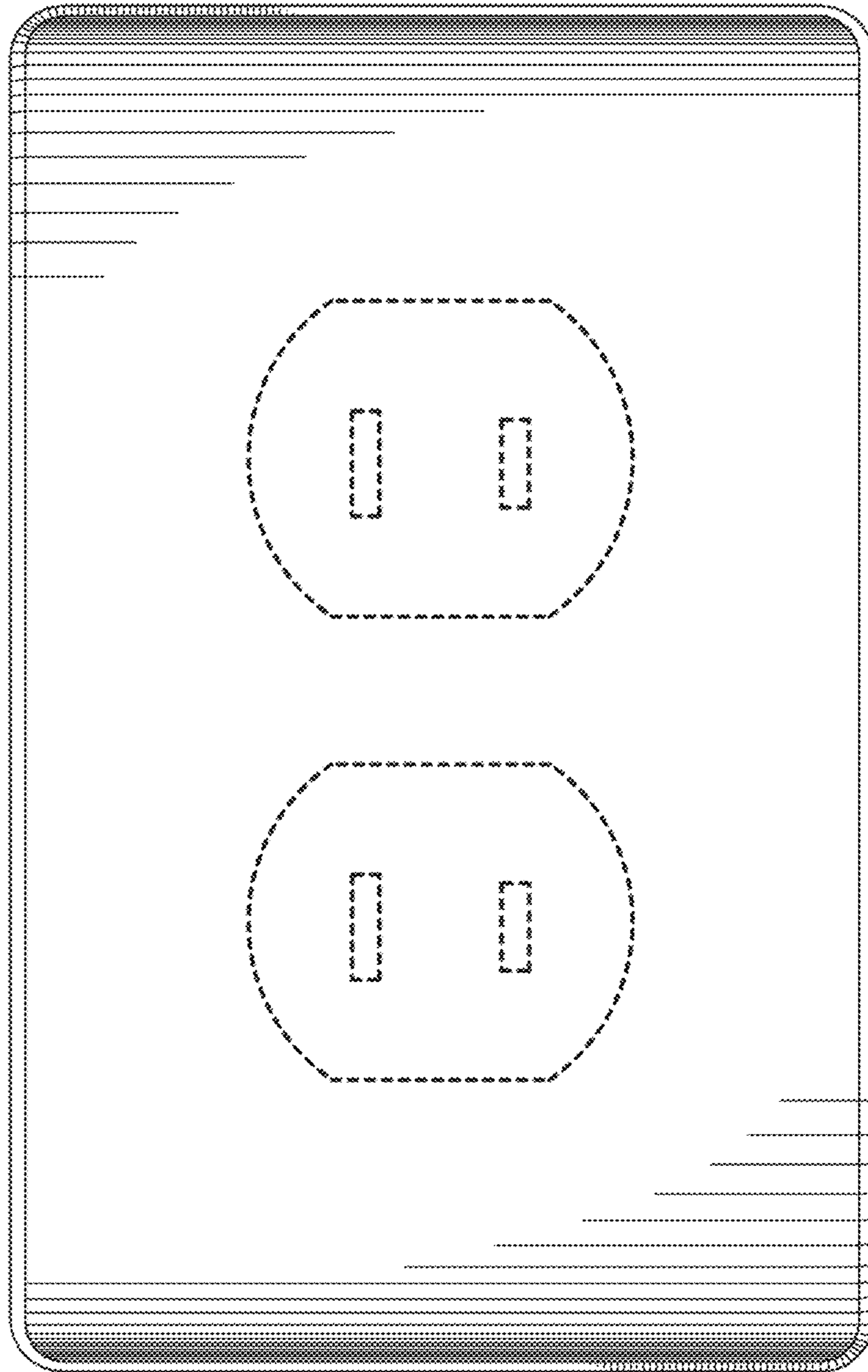


FIG. 12

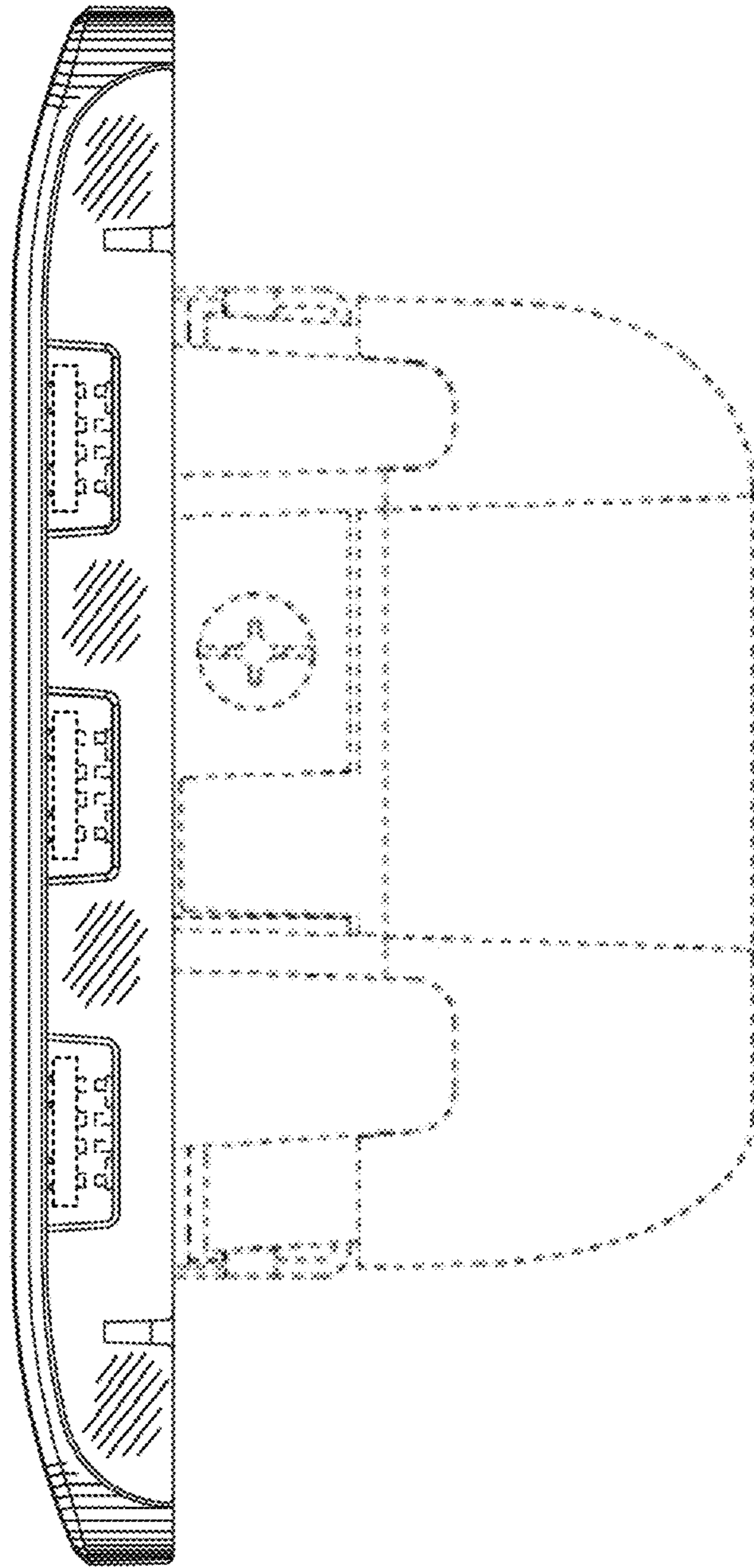


FIG. 13

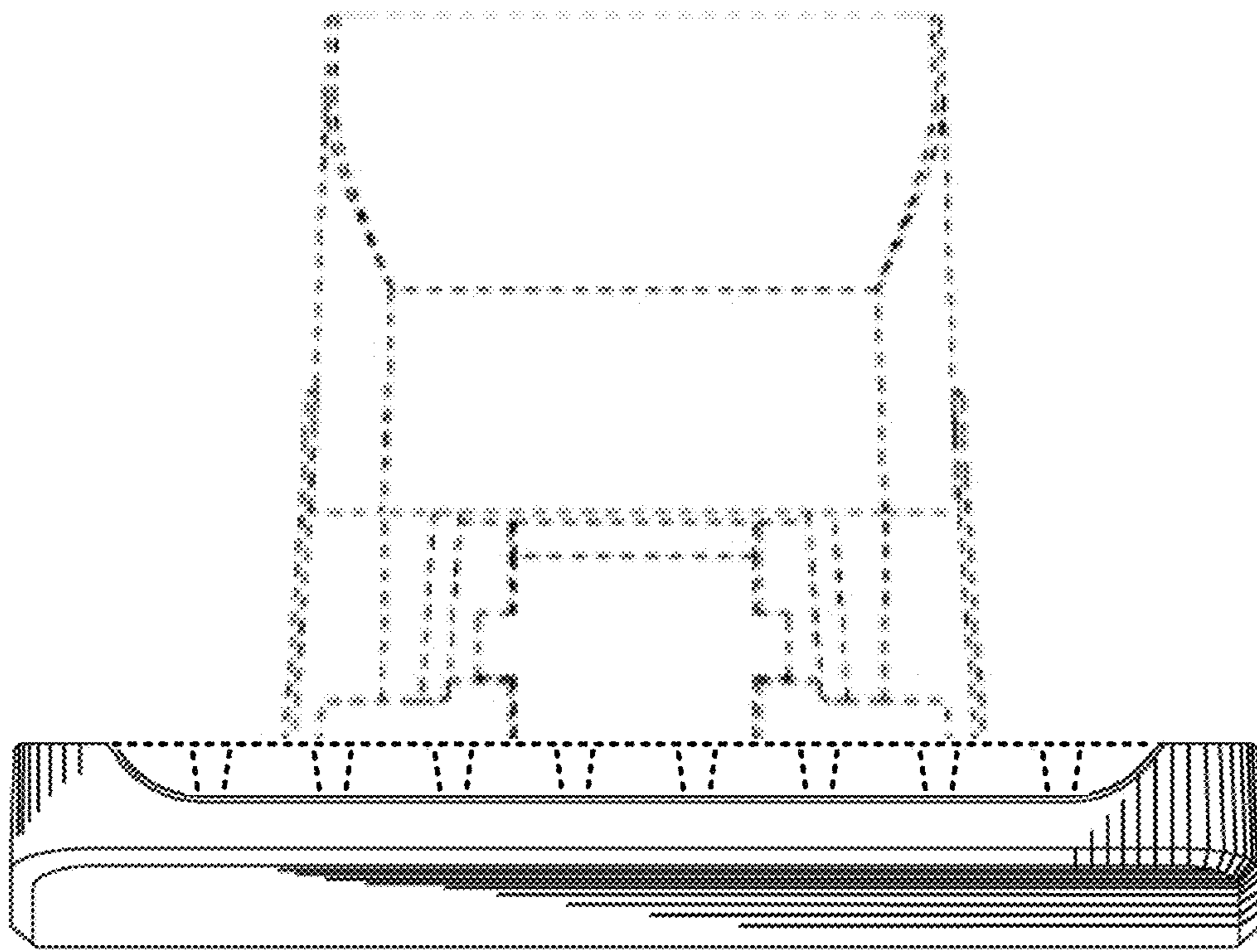


FIG. 14

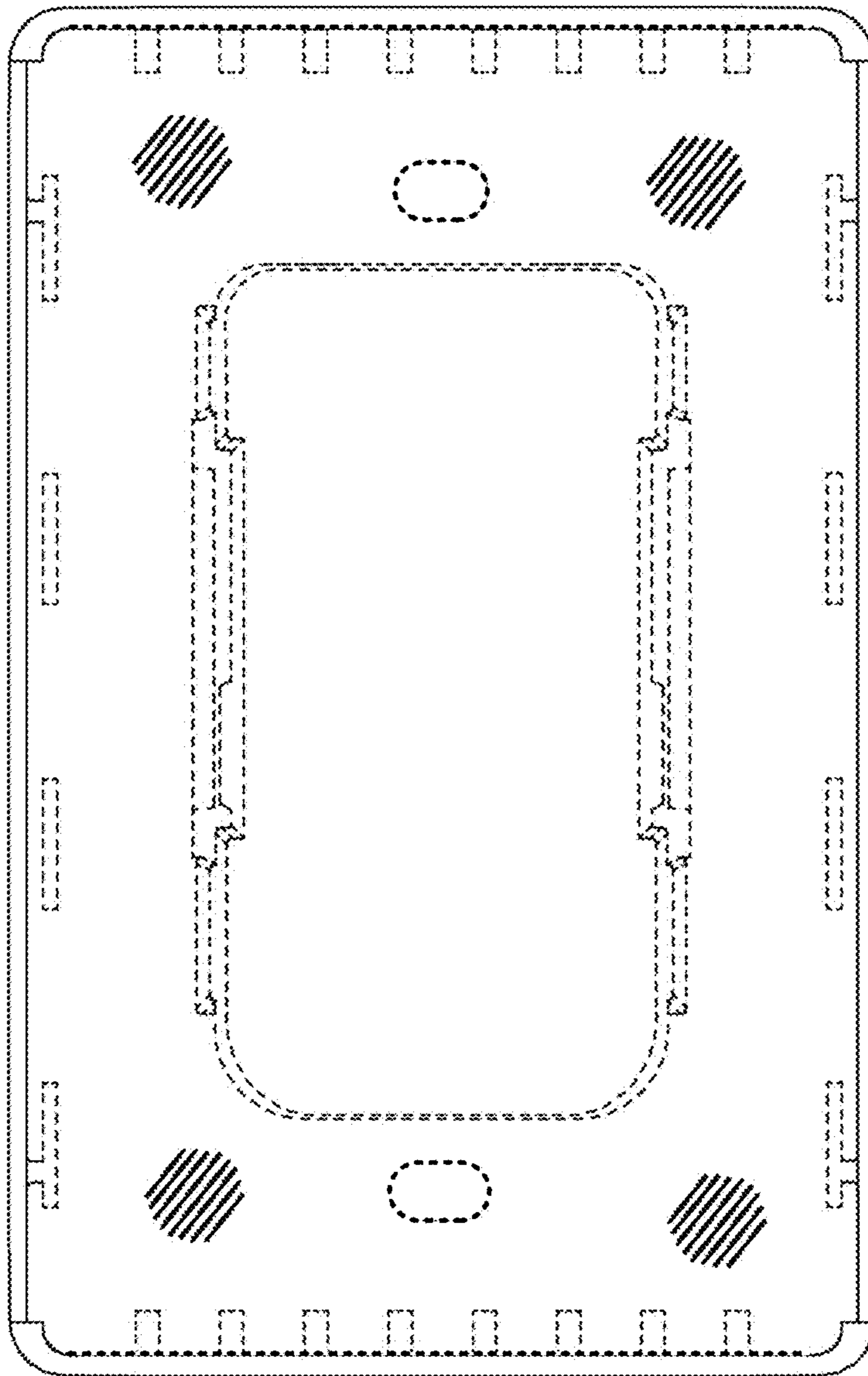


FIG. 15

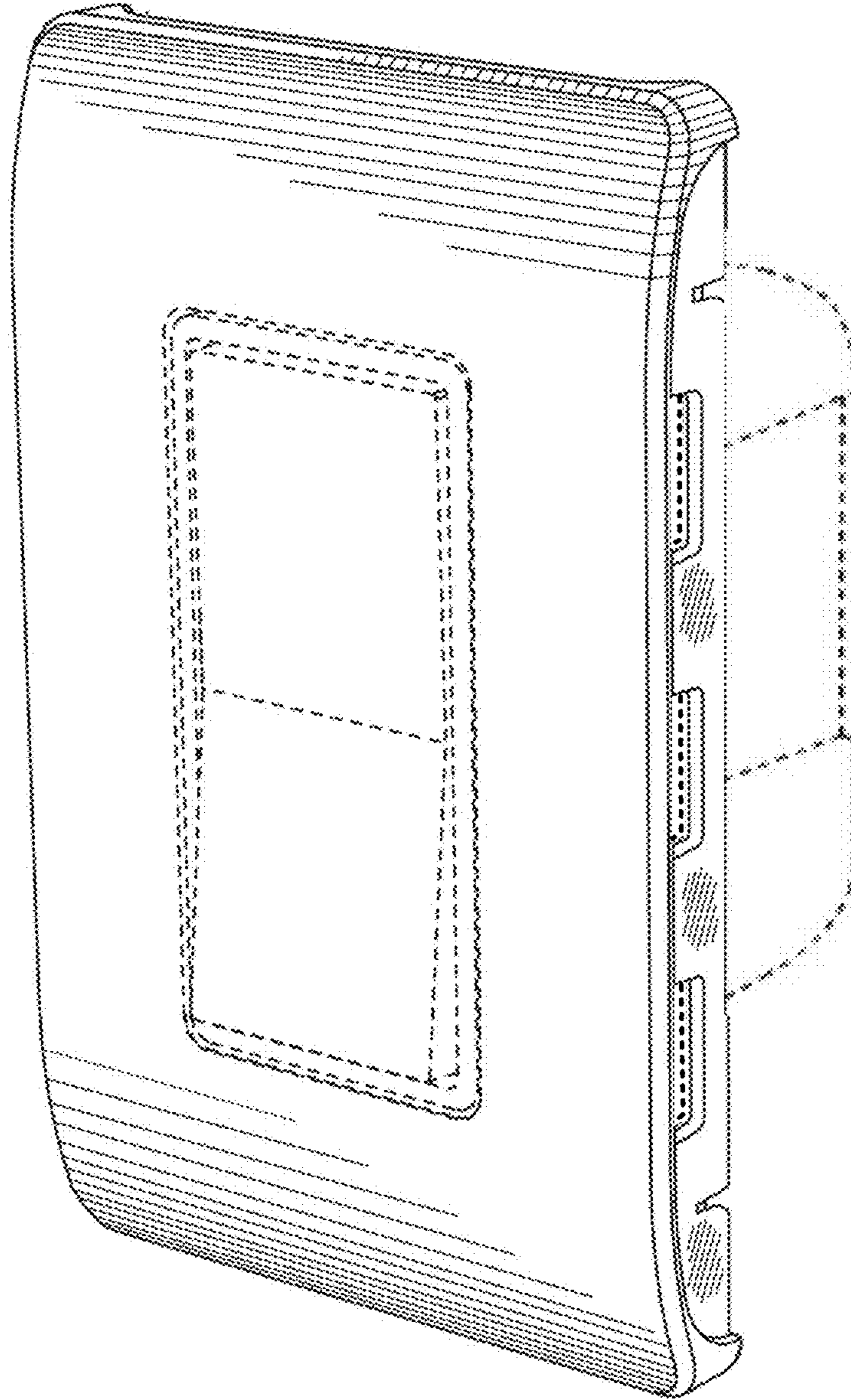


FIG. 16

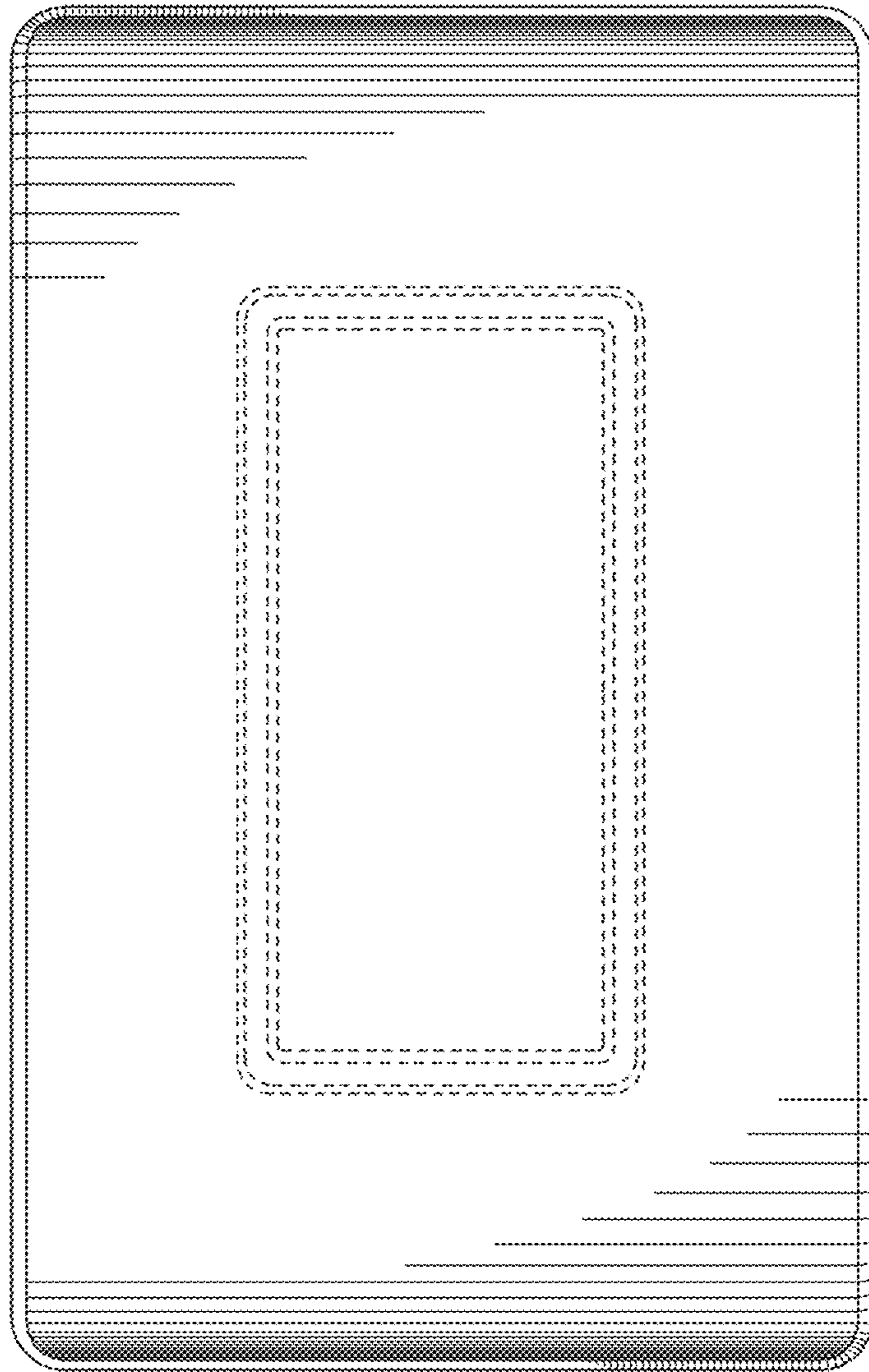


FIG. 17

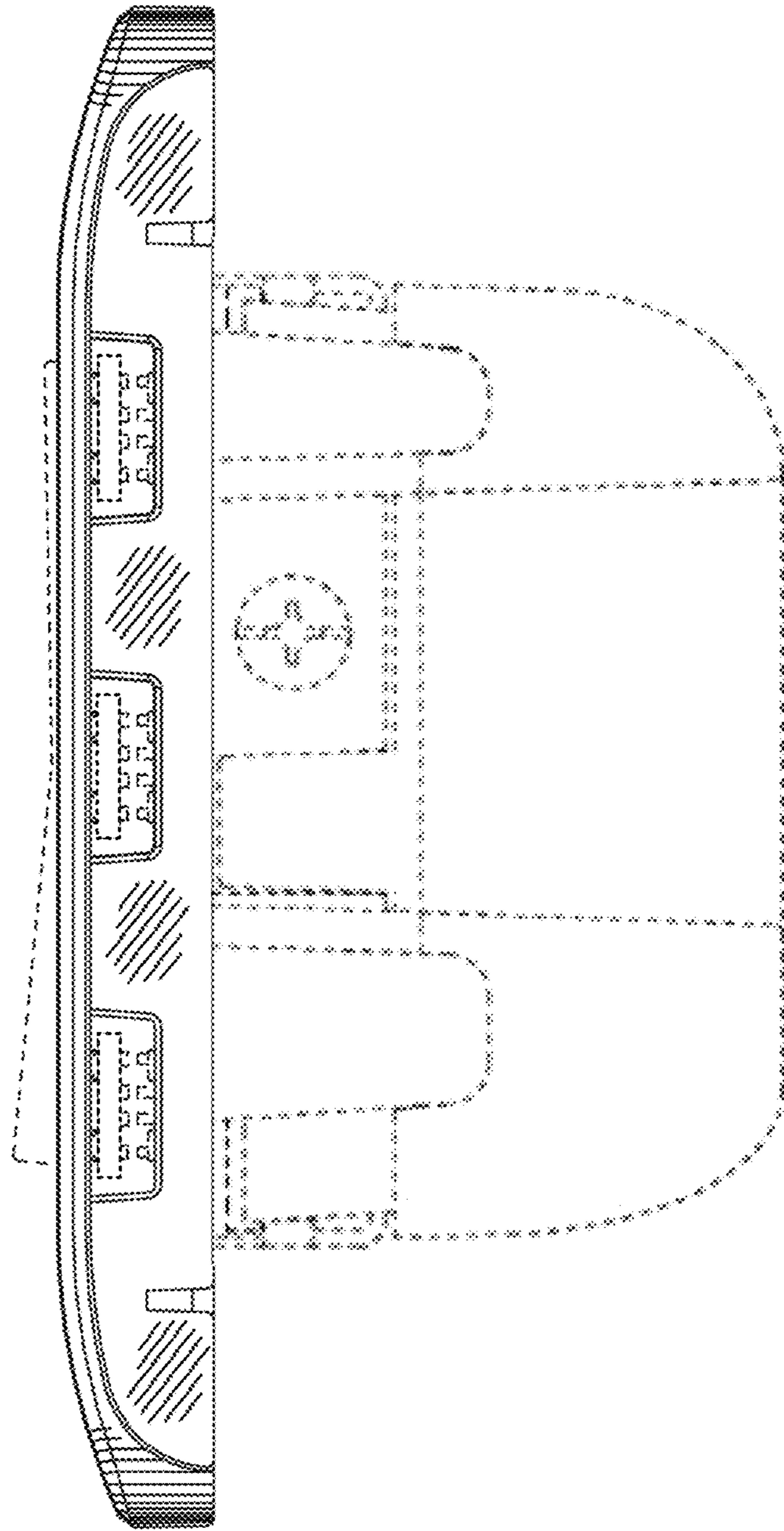


FIG. 18

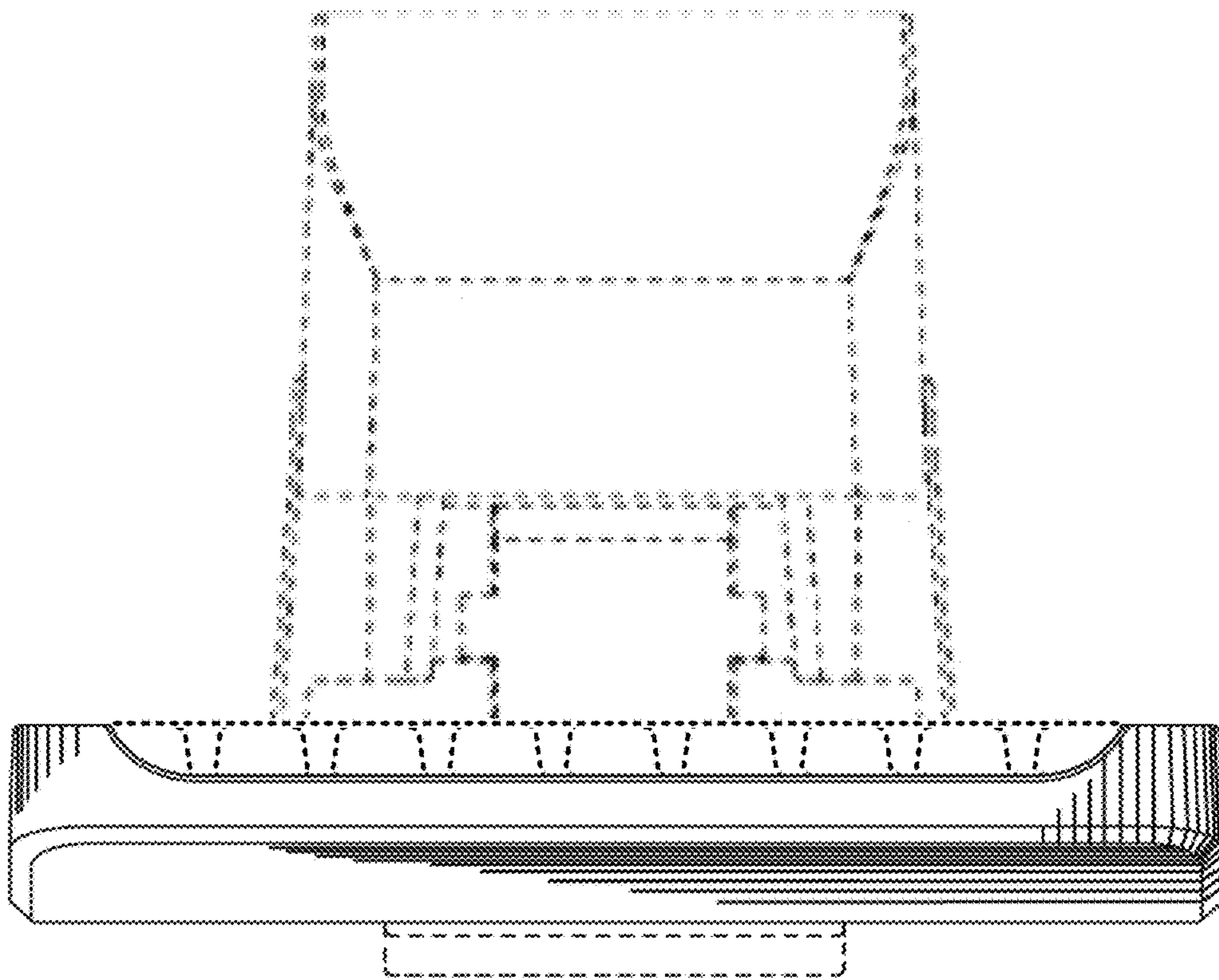


FIG. 19

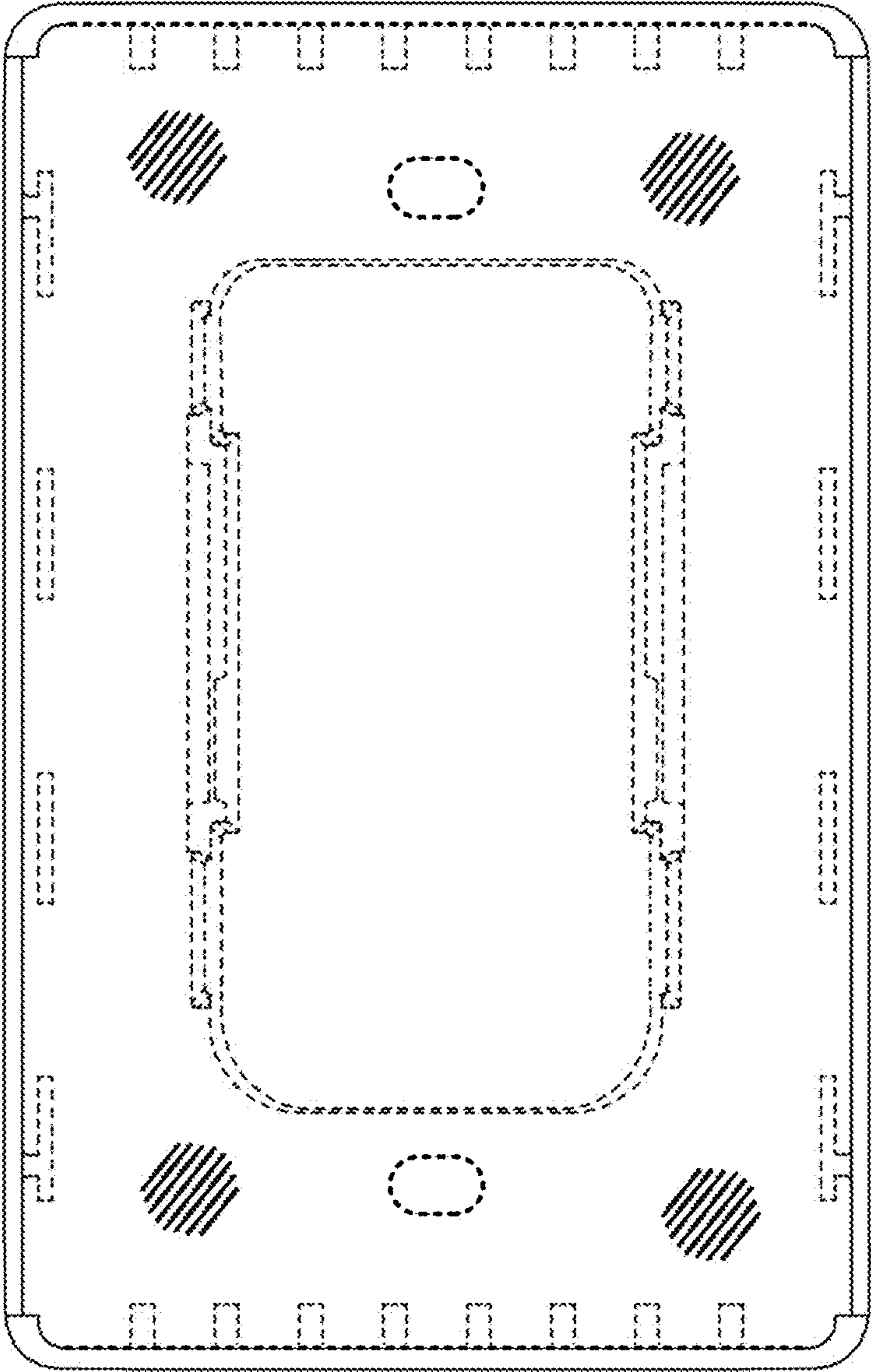


FIG. 20

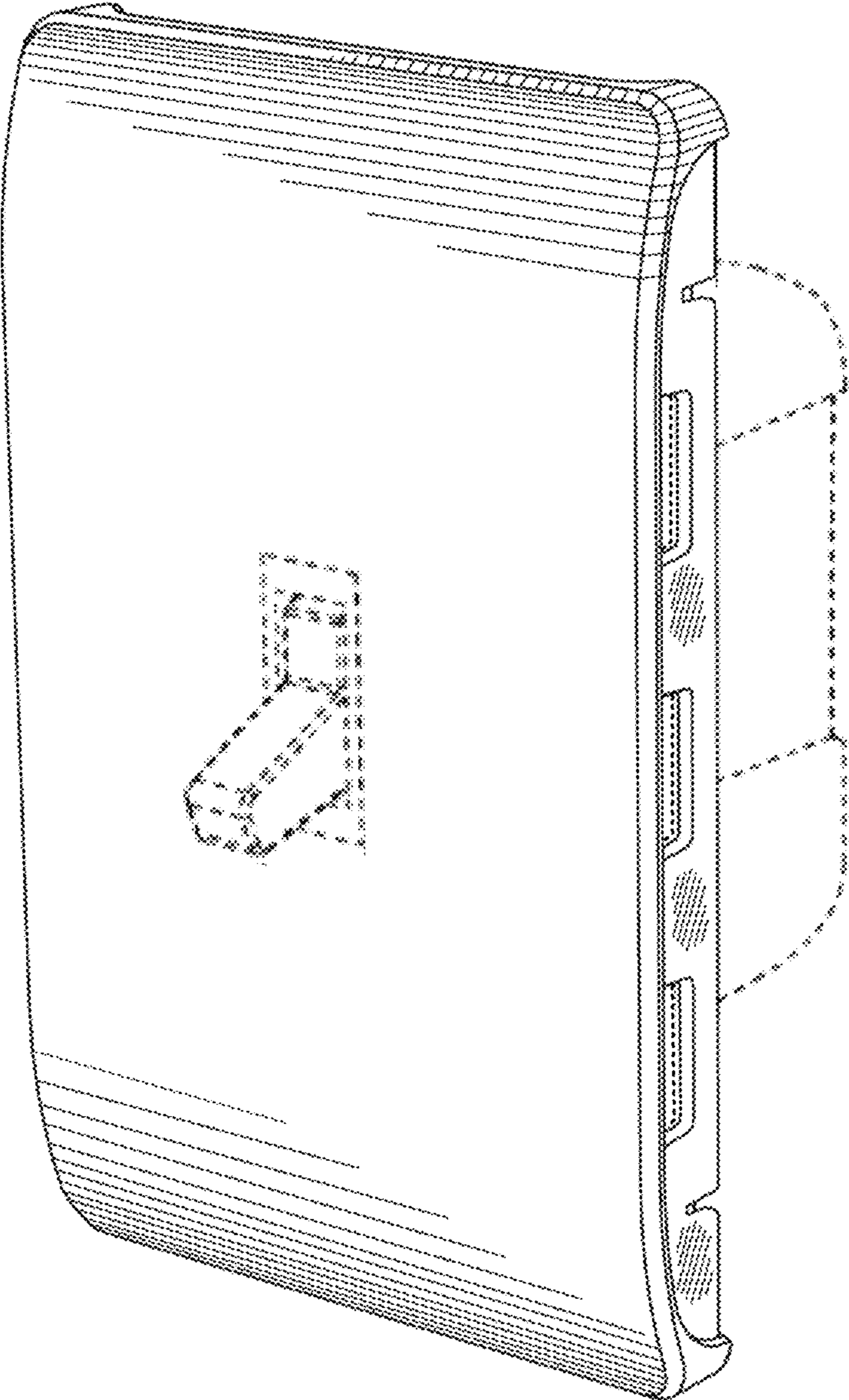


FIG. 21

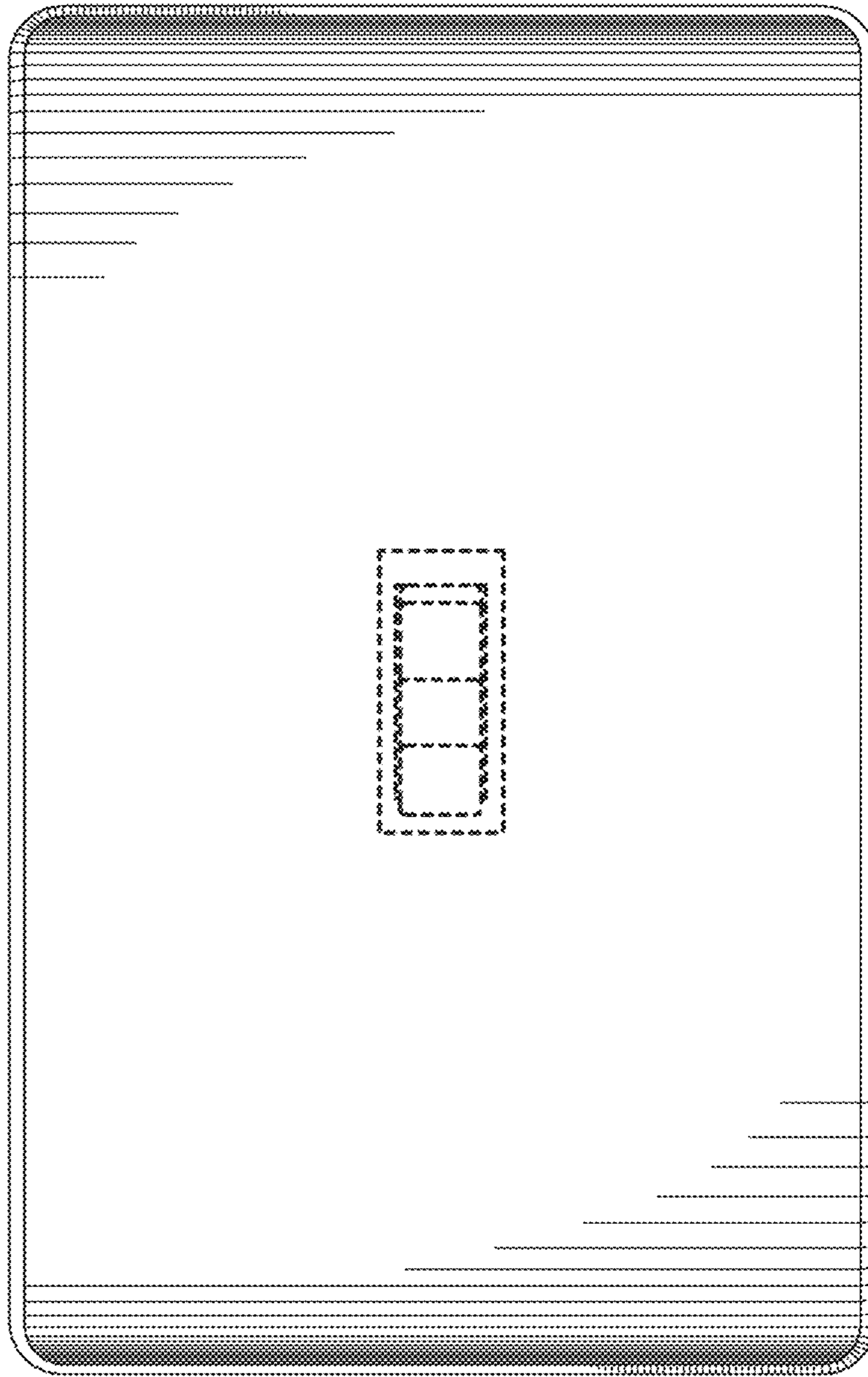


FIG. 22

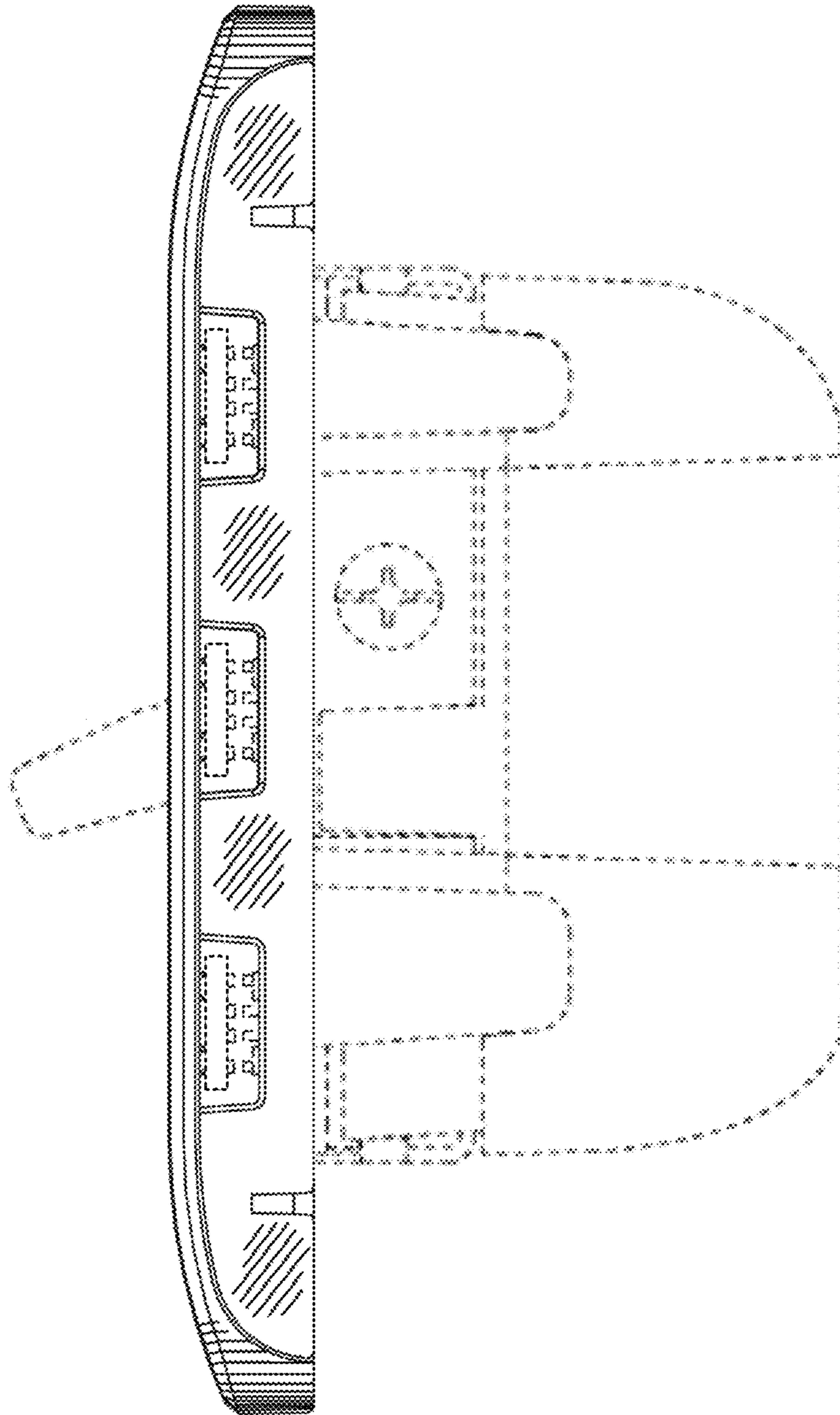


FIG. 23

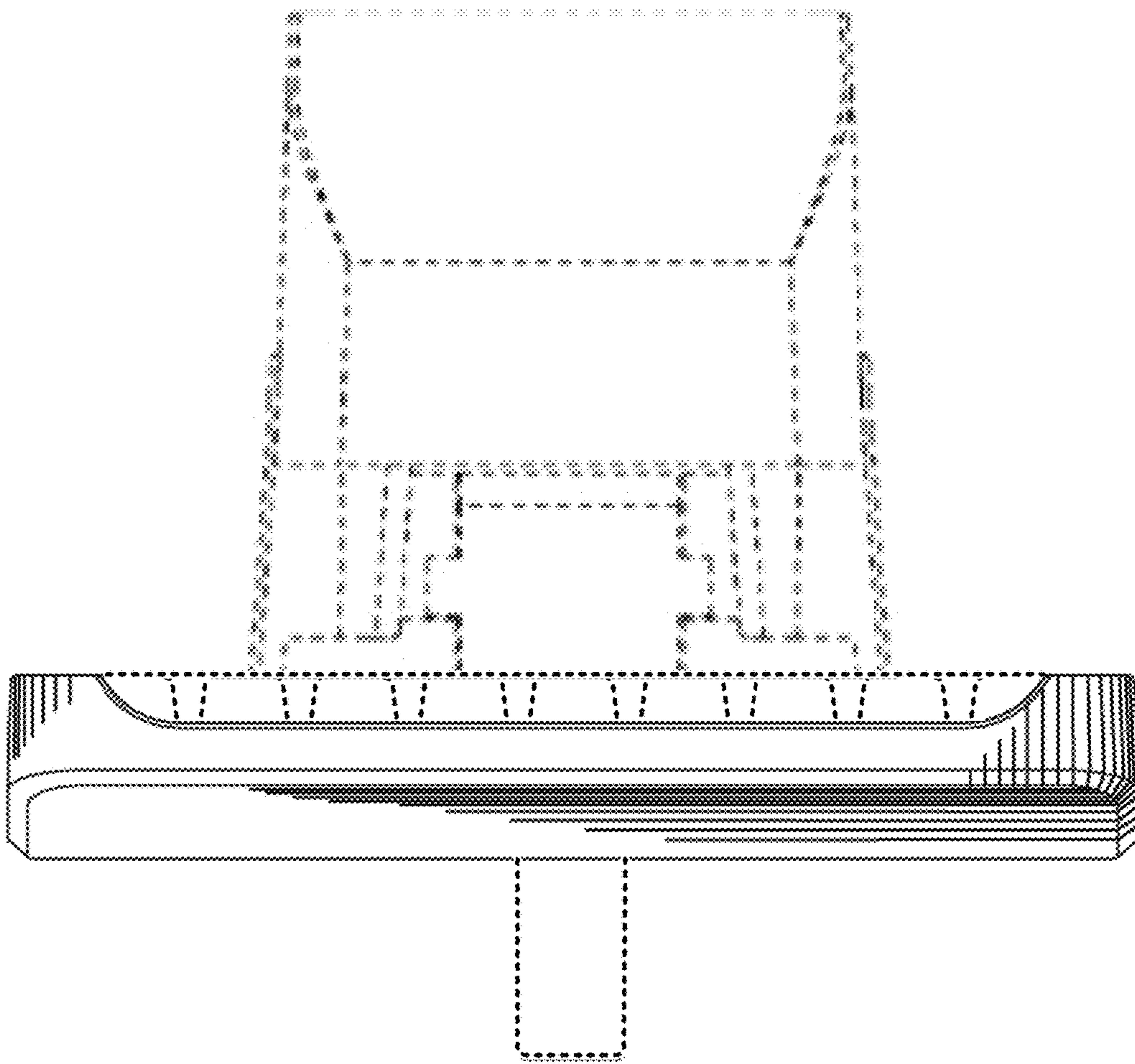


FIG. 24

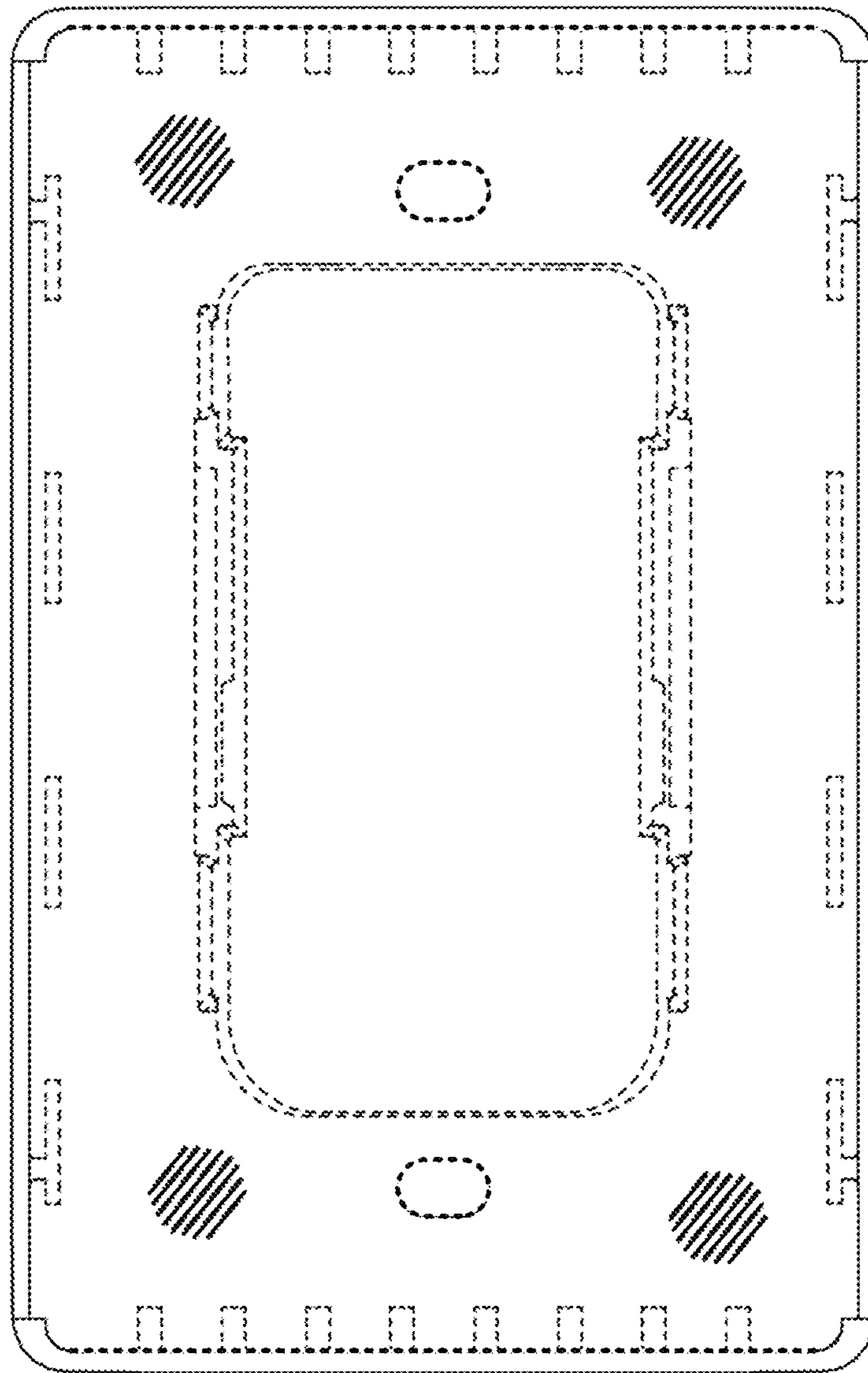


FIG. 25