



US00D826859S

(12) **United States Design Patent**  
**Little**

(10) **Patent No.:** **US D826,859 S**

(45) **Date of Patent:** **\*\* Aug. 28, 2018**

(54) **PLUG ADAPTER**

D741,267 S \* 10/2015 Byrne ..... D13/139.1  
D750,022 S \* 2/2016 Lin ..... D13/137.2

\* cited by examiner

(71) Applicant: **DG International Holdings Limited**,  
London (GB)

*Primary Examiner* — Rosemary K Tarcza

*Assistant Examiner* — Christy M Nemeth

(72) Inventor: **Simon Little**, Middlesex (GB)

(74) *Attorney, Agent, or Firm* — Davis, Brown, Koehn,  
Shors & Roberts, P.C.; Matthew Warner-Blankenship

(73) Assignee: **DG International Holdings Limited**,  
London (GB)

(57) **CLAIM**

The ornamental design for a plug adapter, as shown and described.

(\*\*) Term: **15 Years**

**DESCRIPTION**

(21) Appl. No.: **29/578,305**

FIG. 1 is a top view of a first embodiment of a plug adapter;

(22) Filed: **Sep. 20, 2016**

FIG. 2 is a bottom view thereof;

(51) **LOC (11) Cl.** ..... **13-03**

FIG. 3 is a left side view thereof;

(52) **U.S. Cl.**

FIG. 4 is a right side view thereof;

USPC ..... **D13/137.2**

FIG. 5 is a front view thereof;

(58) **Field of Classification Search**

FIG. 6 is a rear view thereof;

USPC ..... D13/108, 110, 123, 133, 137.1–137.4,  
D13/138.1–138.2, 139.1–139.8, 152–154,  
D13/156, 158, 177; D8/350–353

FIG. 7 is a perspective view thereof;

CPC ..... H01R 25/00; H01R 25/006

FIG. 8 is a top view of a second embodiment of a plug adapter;

See application file for complete search history.

FIG. 9 is a bottom view thereof;

FIG. 10 is a left side view thereof;

FIG. 11 is a right side view thereof;

FIG. 12 is a front view thereof;

FIG. 13 is a rear view thereof; and,

FIG. 14 is a perspective view thereof.

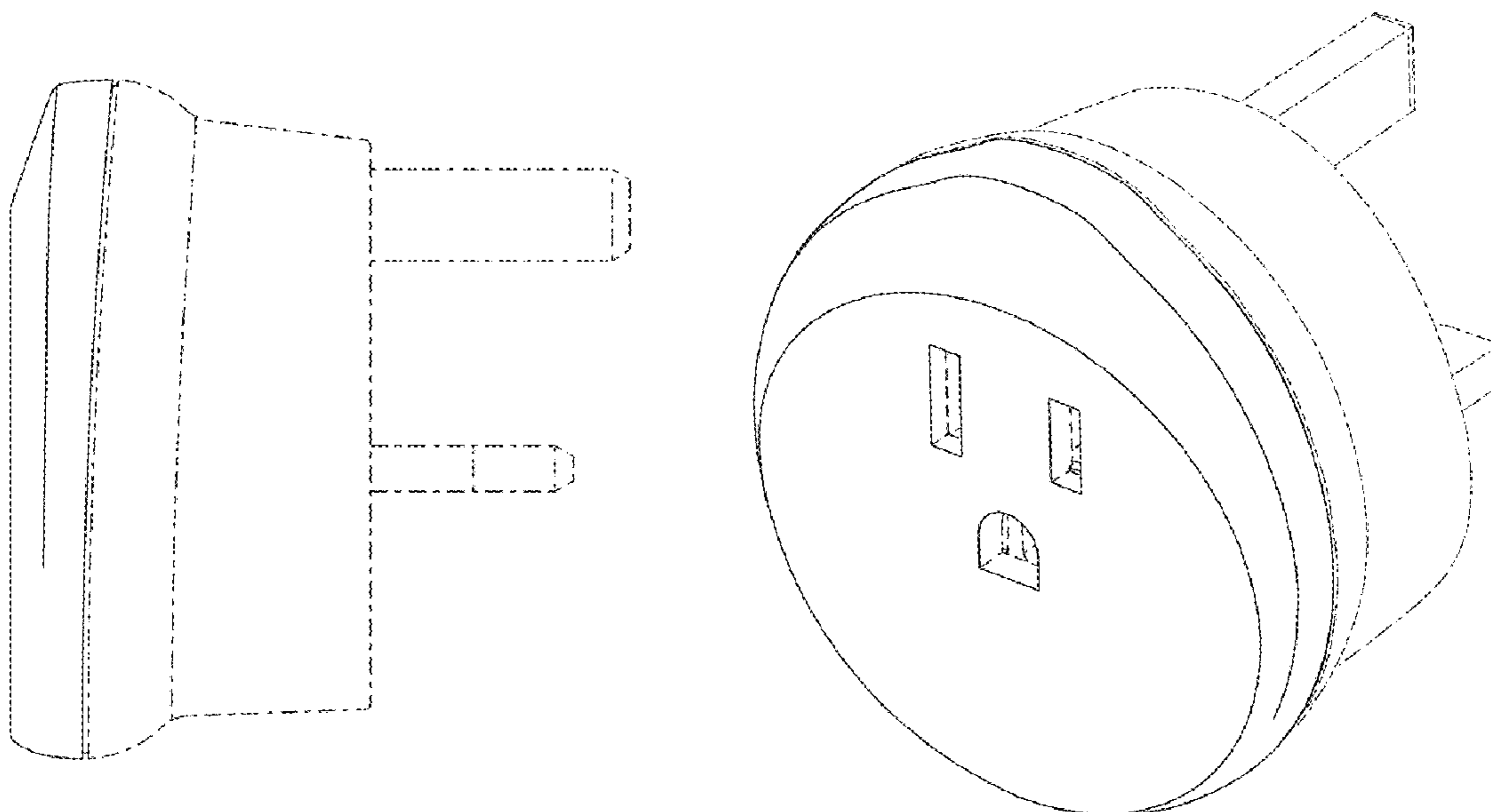
(56) **References Cited**

The dash-dash broken lines in the drawings are for the purpose of illustrating portions of the plug adapter that form no part of the claimed design. The dash-dot broken lines in the drawings are for the purpose of illustrating environmental subject matter that forms no part of the claimed design.

**U.S. PATENT DOCUMENTS**

D549,650 S \* 8/2007 Russell ..... D13/137.2  
D610,092 S \* 2/2010 Jimenez ..... D13/137.2  
D702,639 S \* 4/2014 Ruffner ..... D13/110  
D707,626 S \* 6/2014 Atkinson ..... D13/110  
D722,020 S \* 2/2015 Benedict ..... D13/110

**1 Claim, 14 Drawing Sheets**



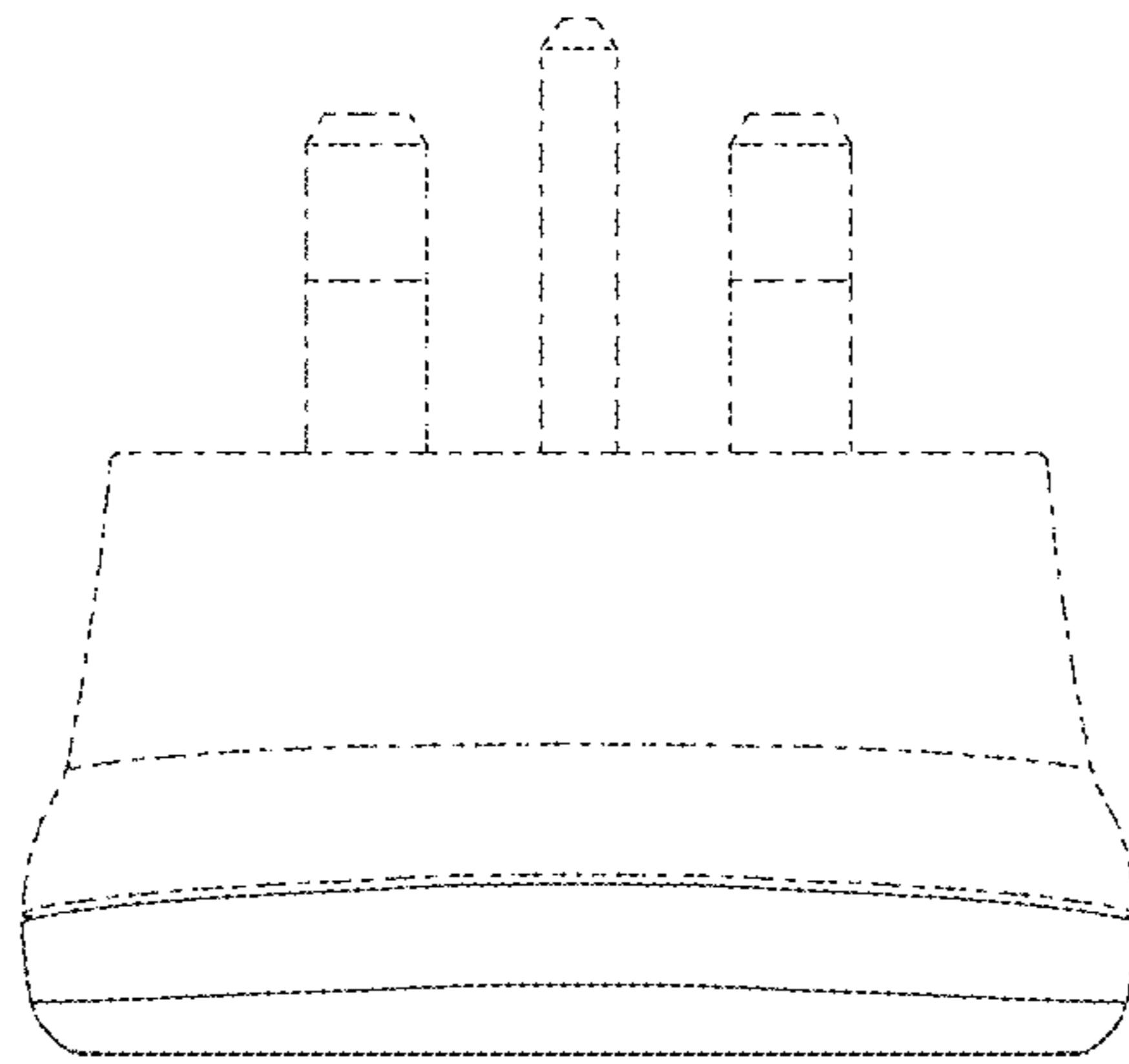


Fig. 1

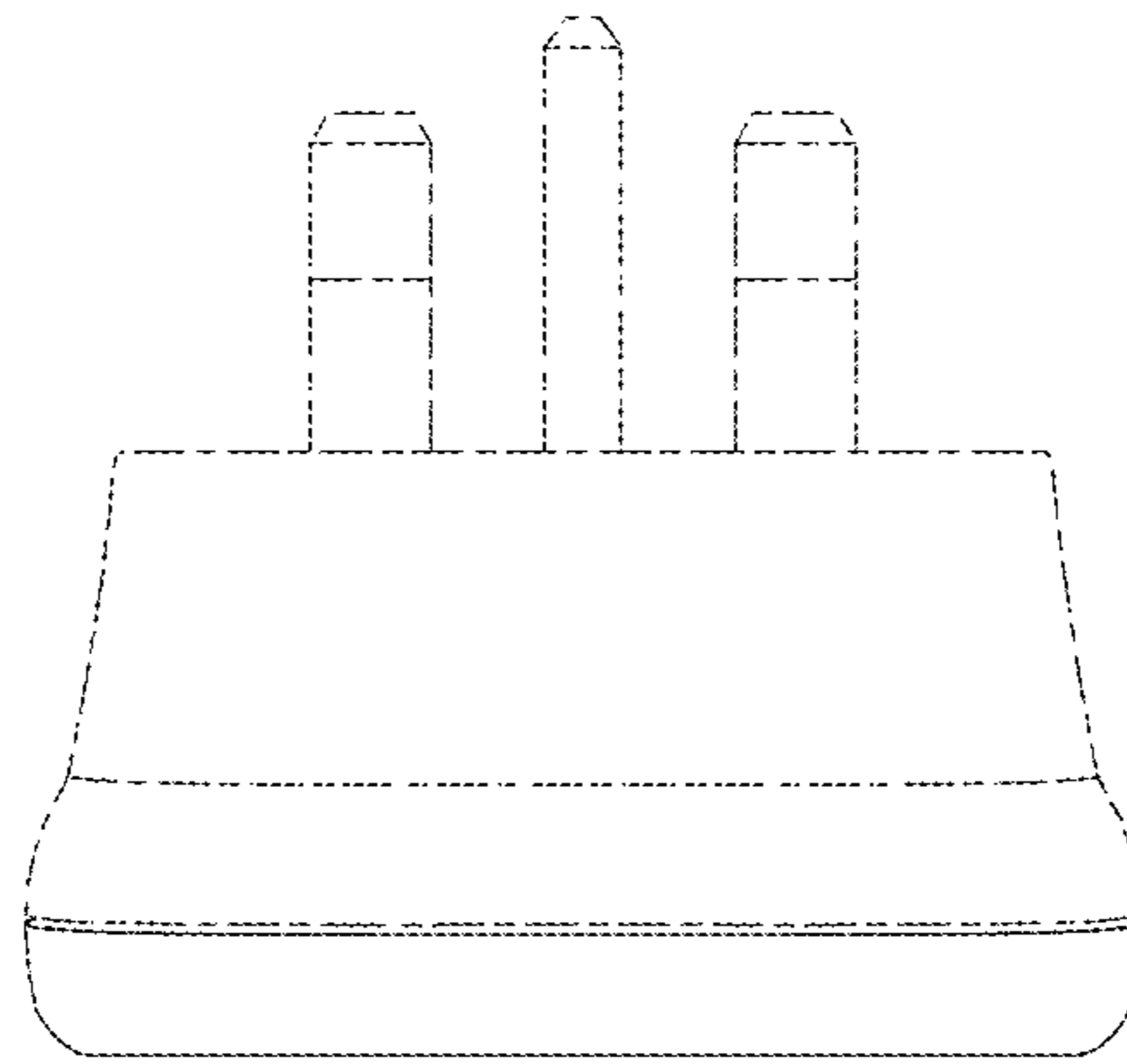


Fig. 2

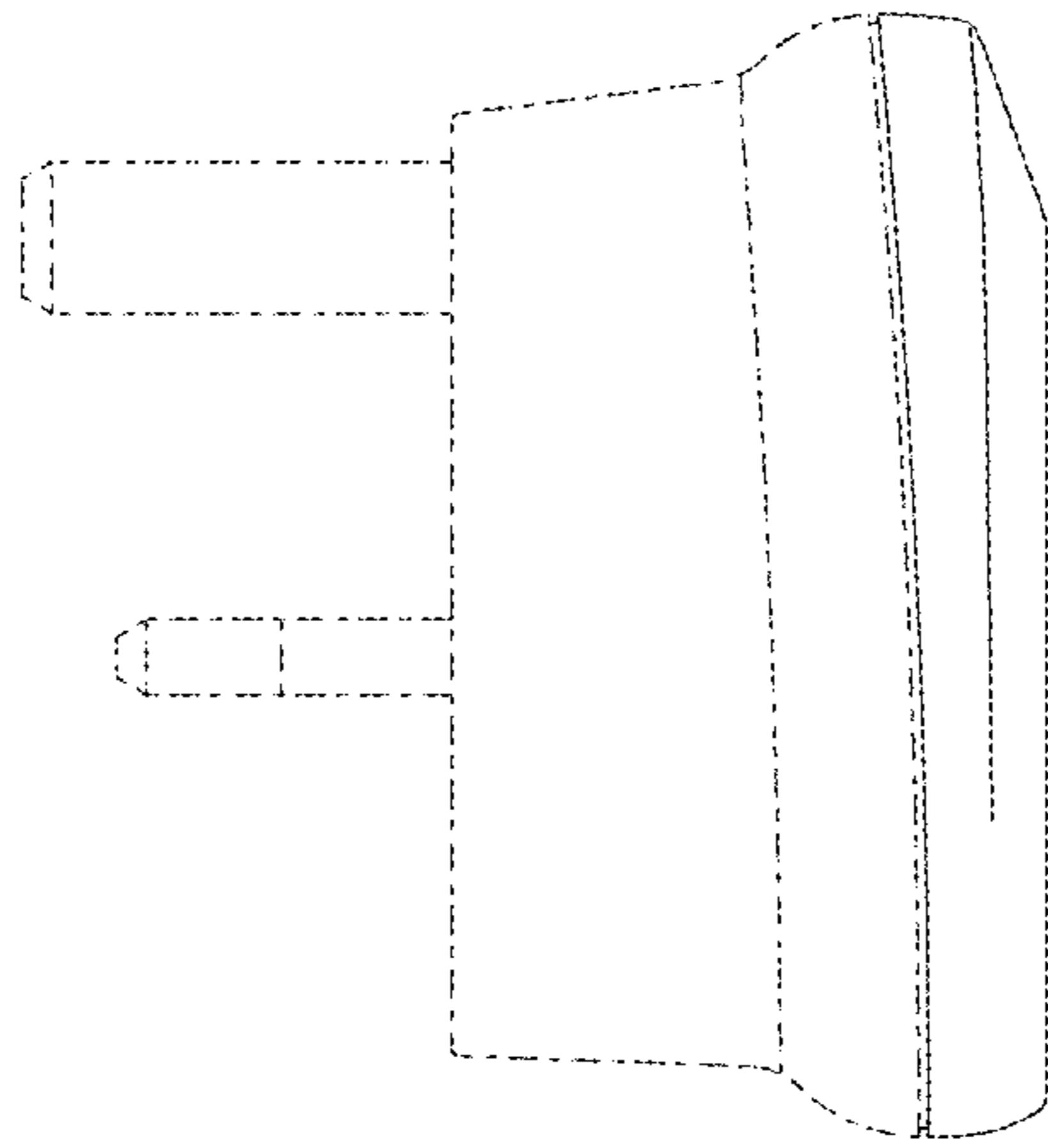


Fig. 3

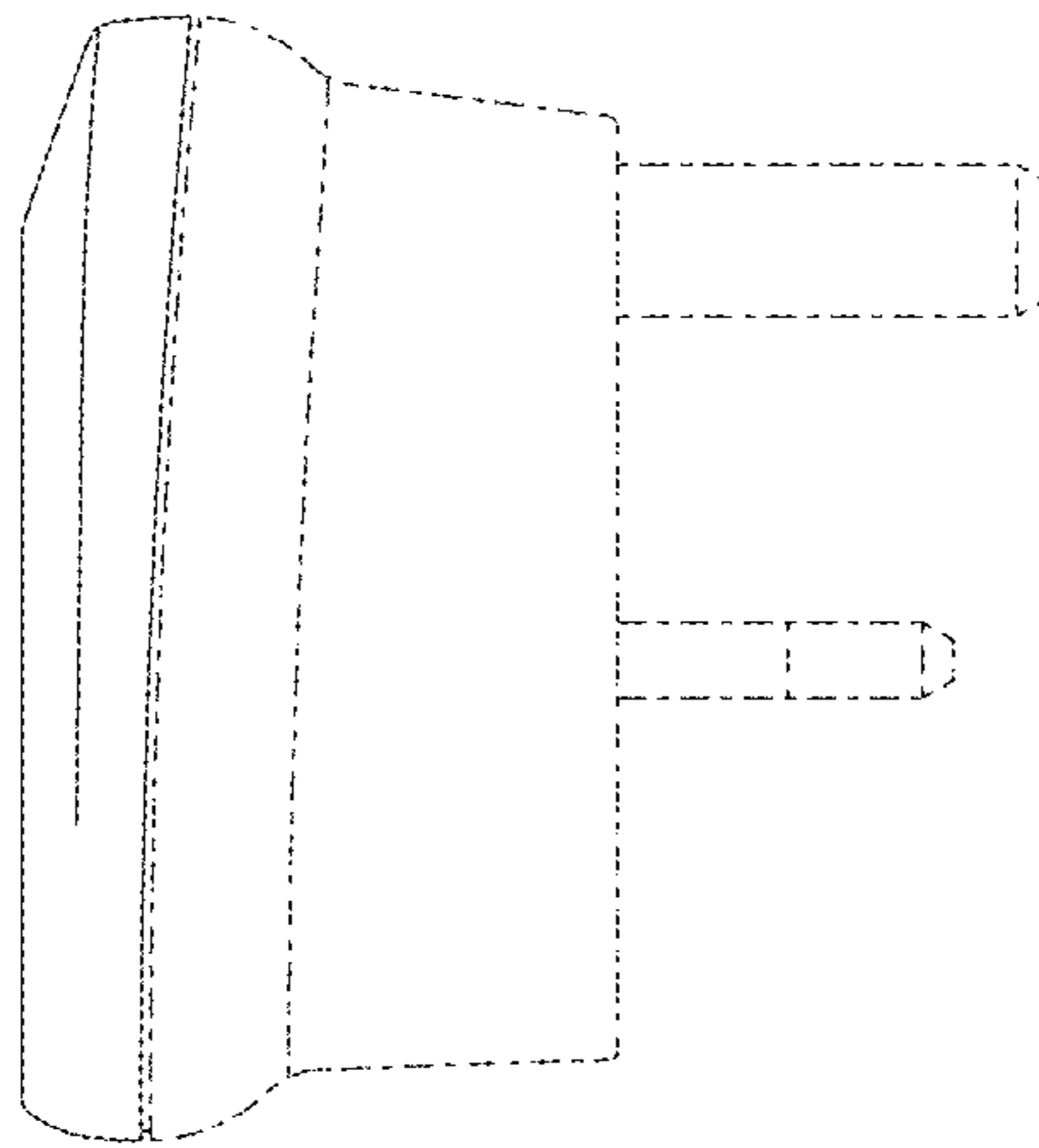


Fig. 4

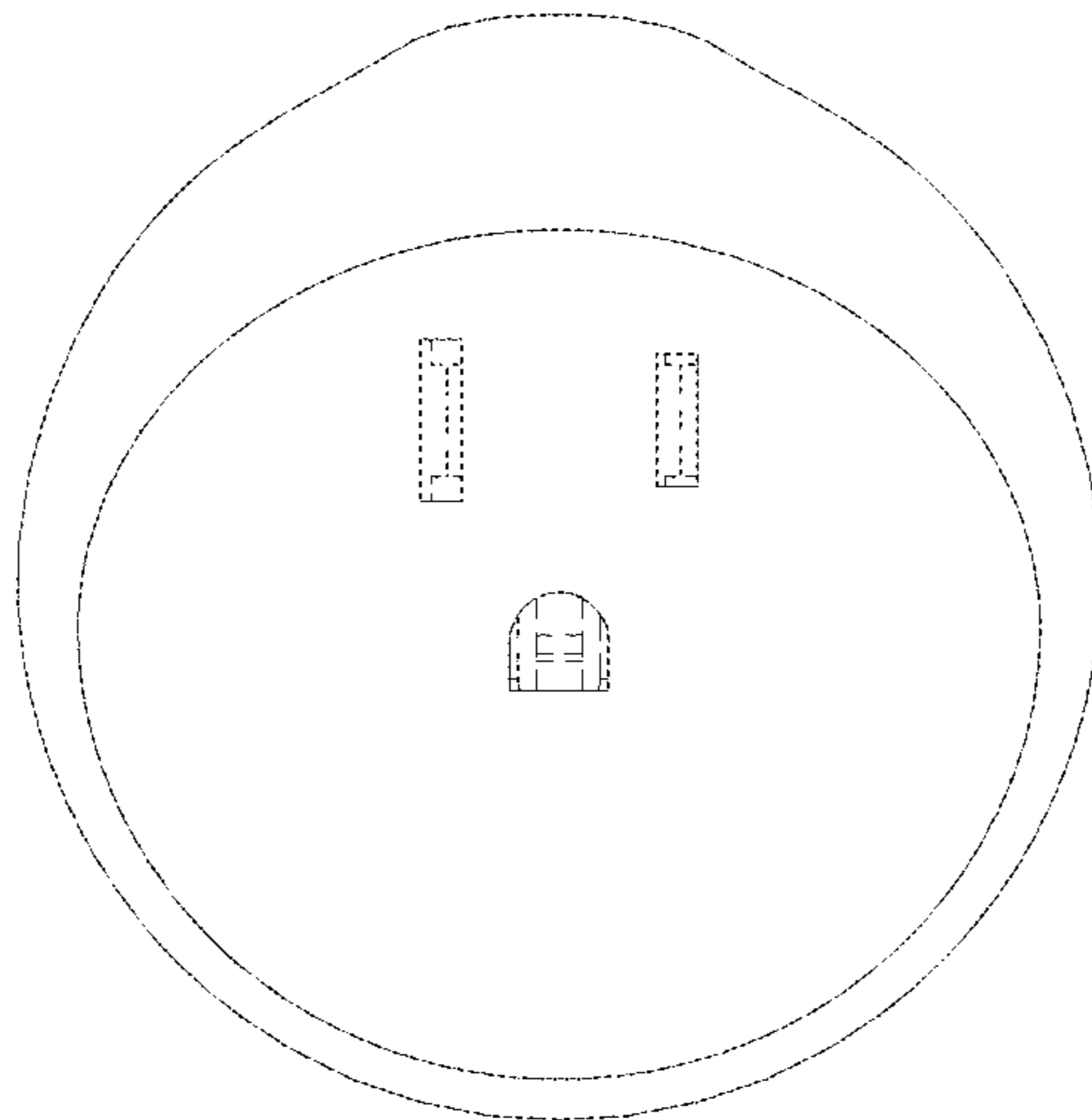


Fig. 5

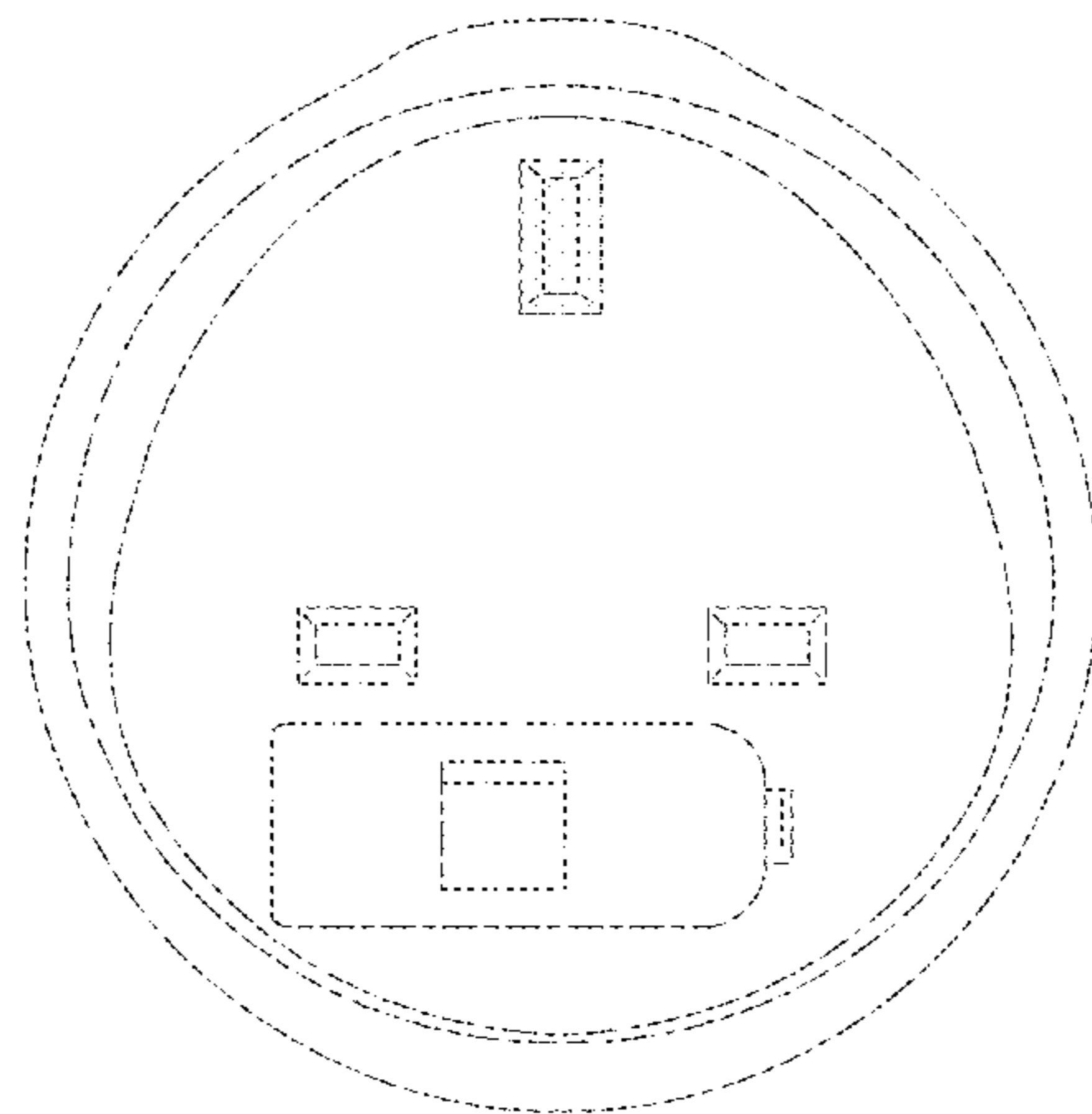


Fig. 6

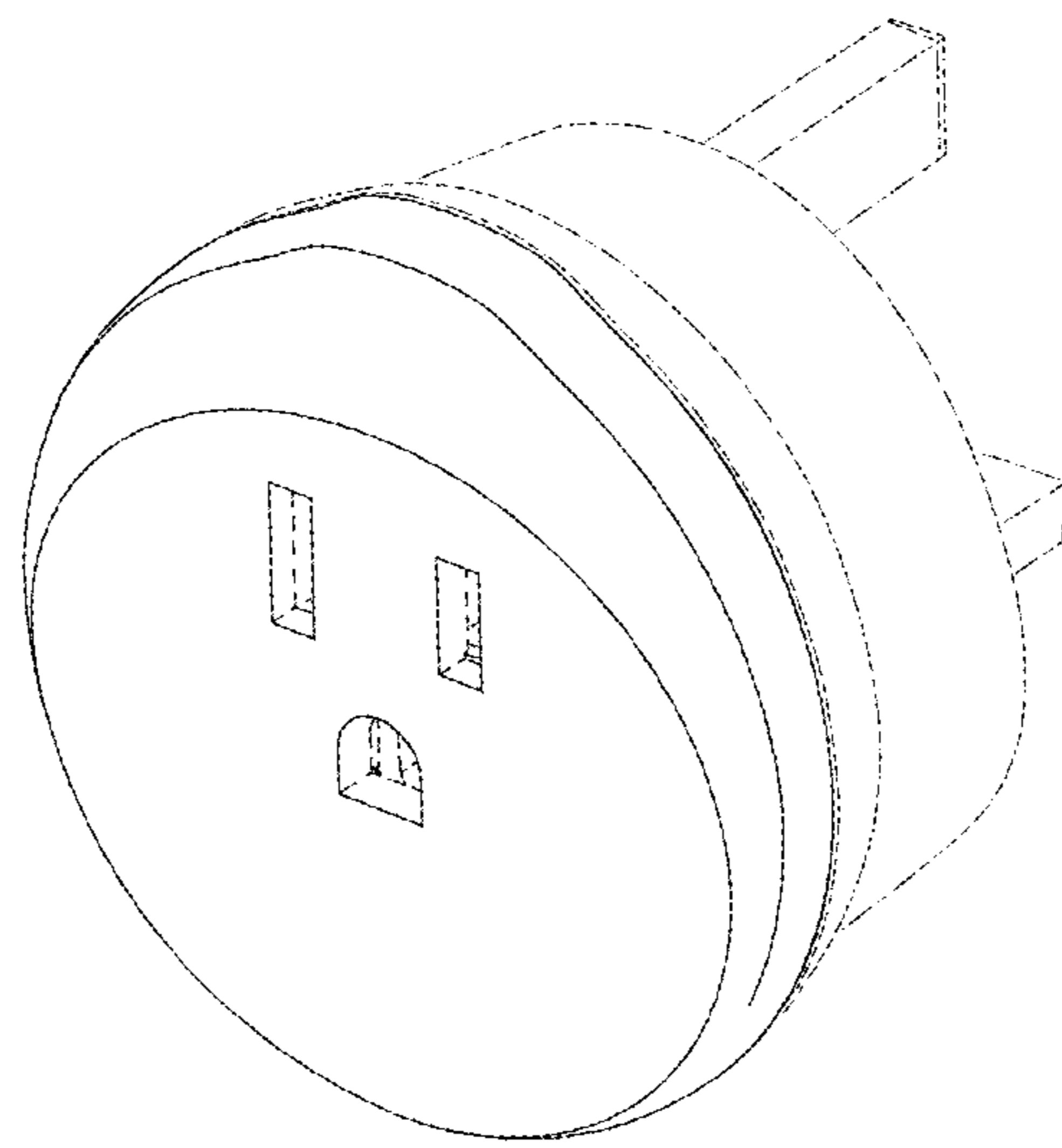


Fig. 7



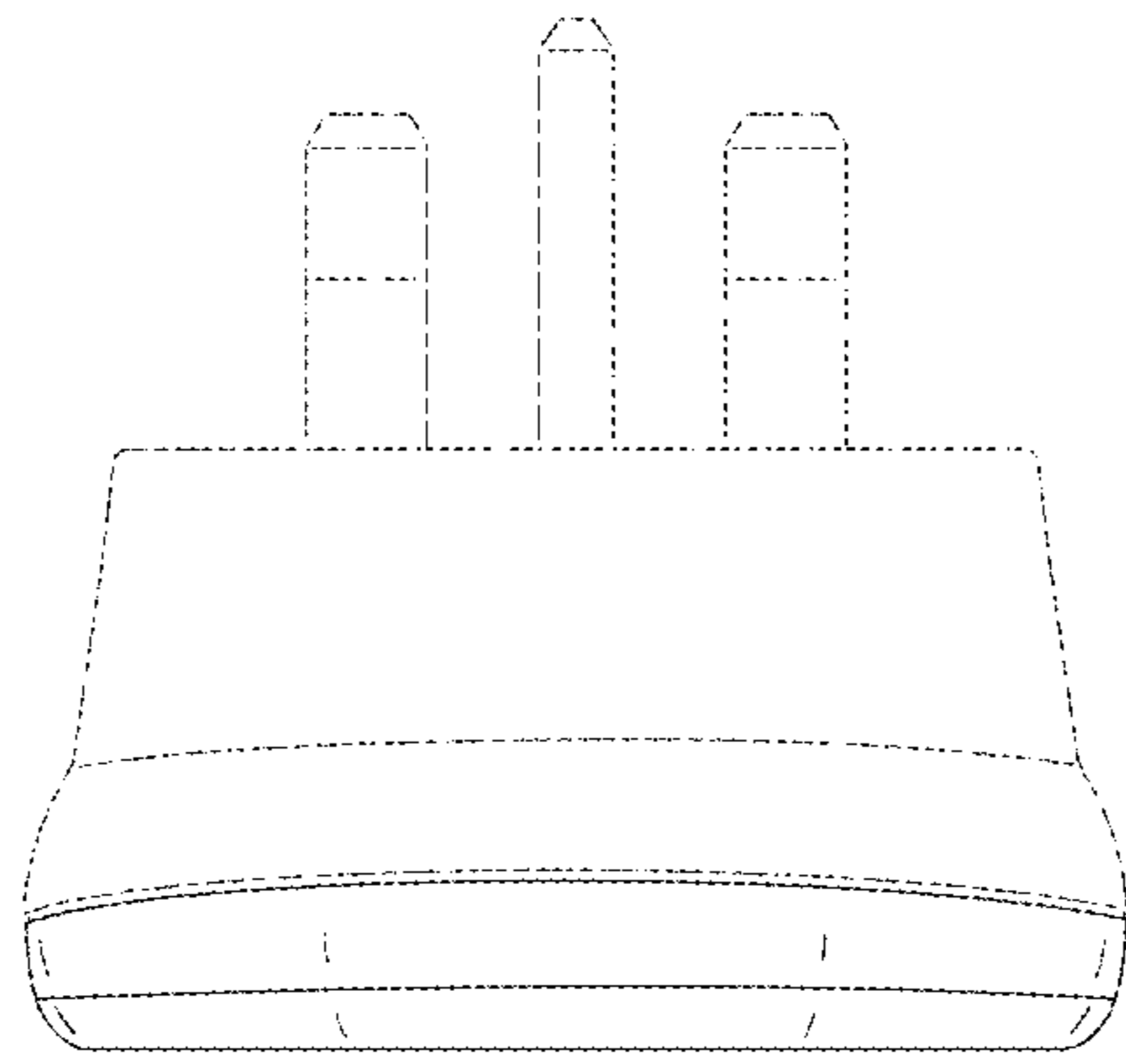


Fig. 8

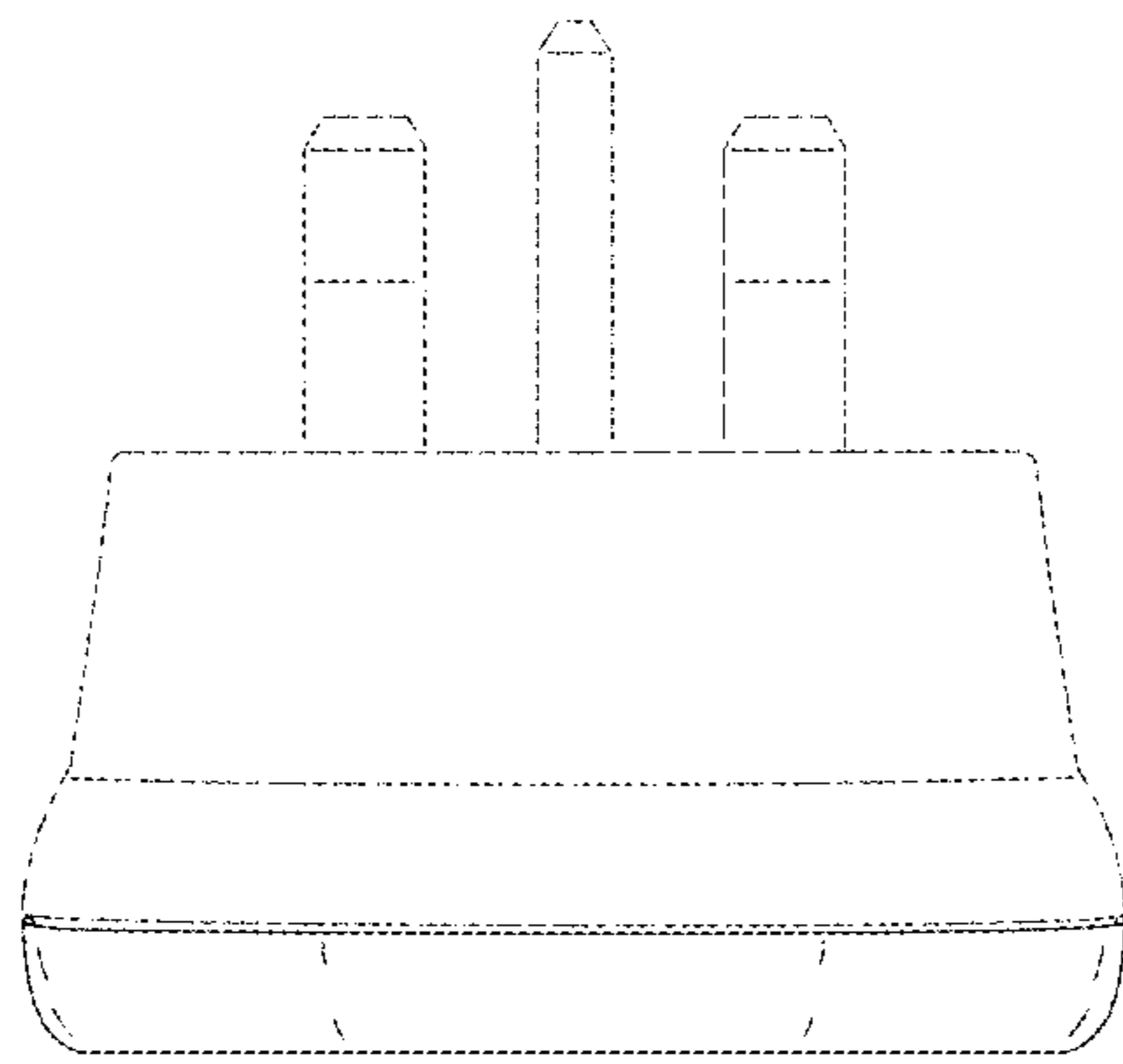


Fig. 9

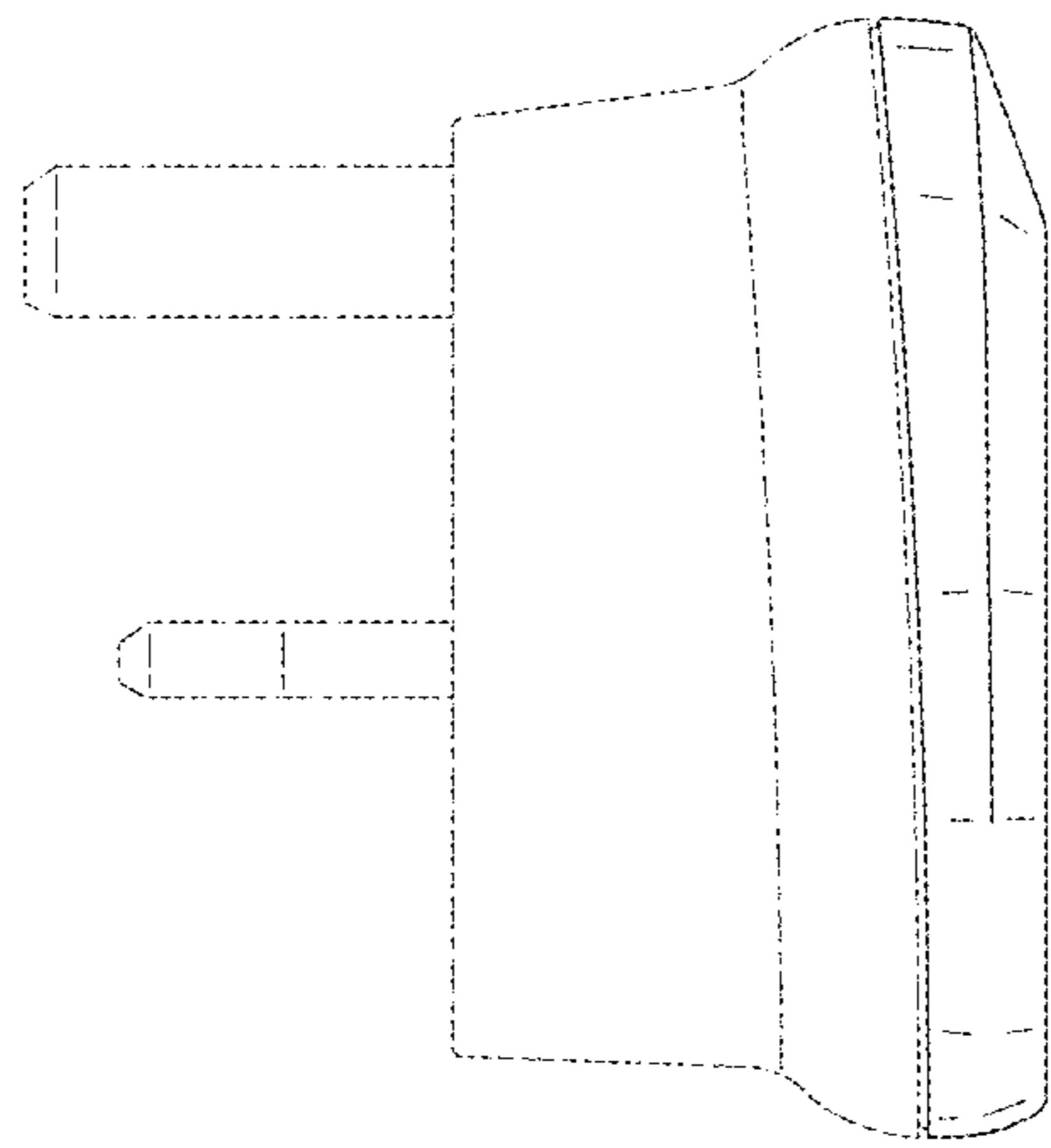


Fig. 10

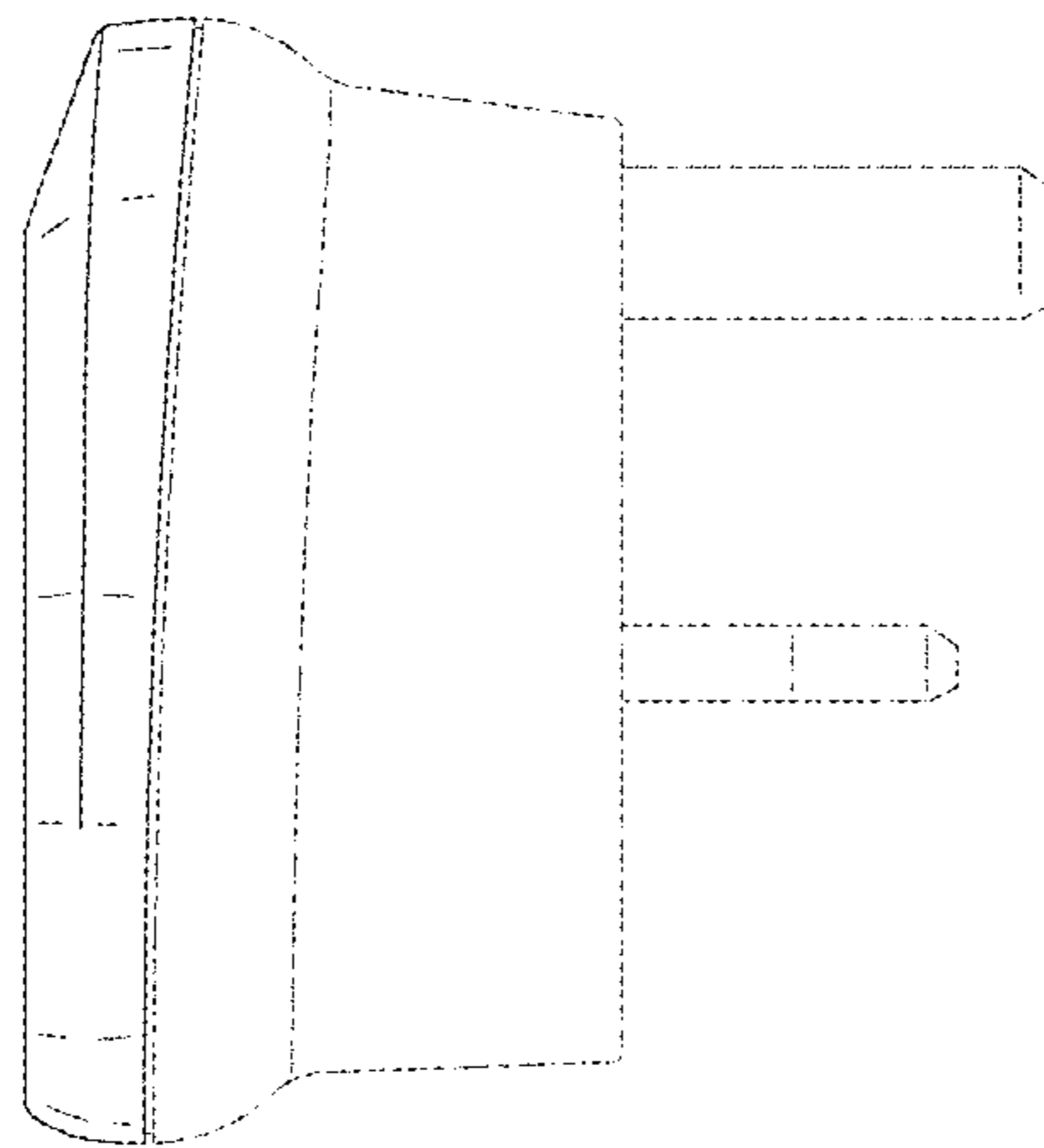


Fig. 11

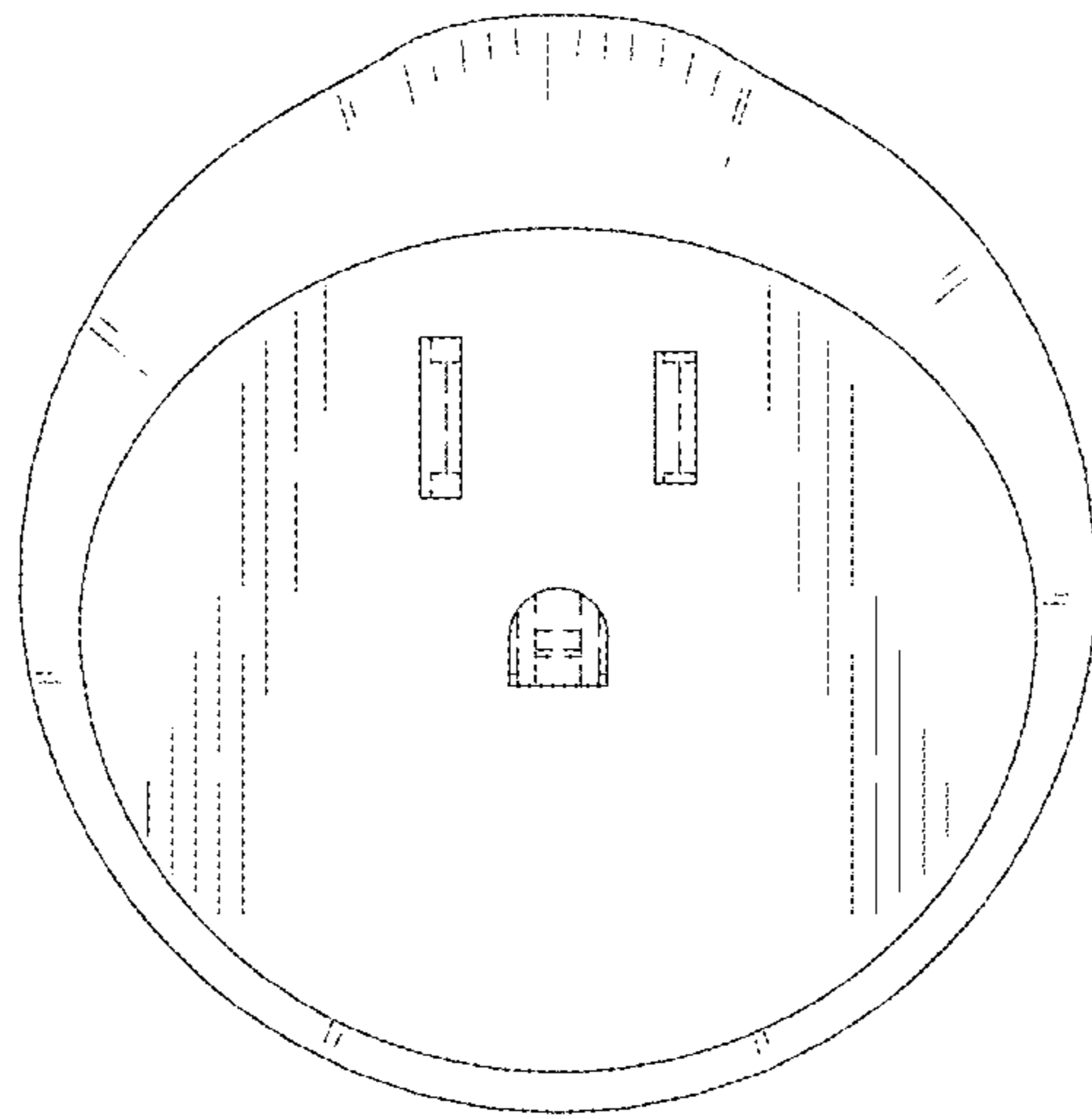


Fig. 12

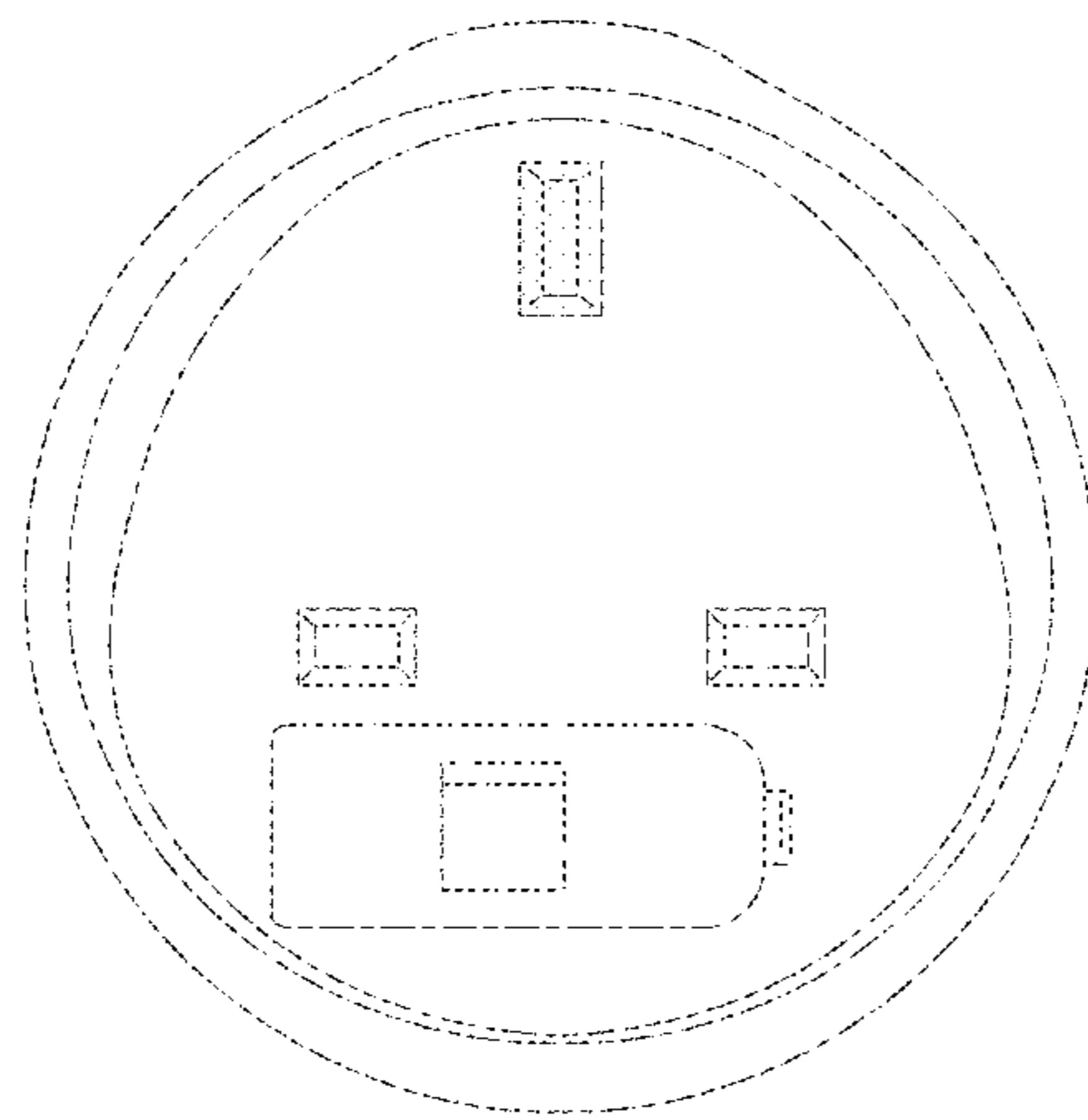


Fig. 13

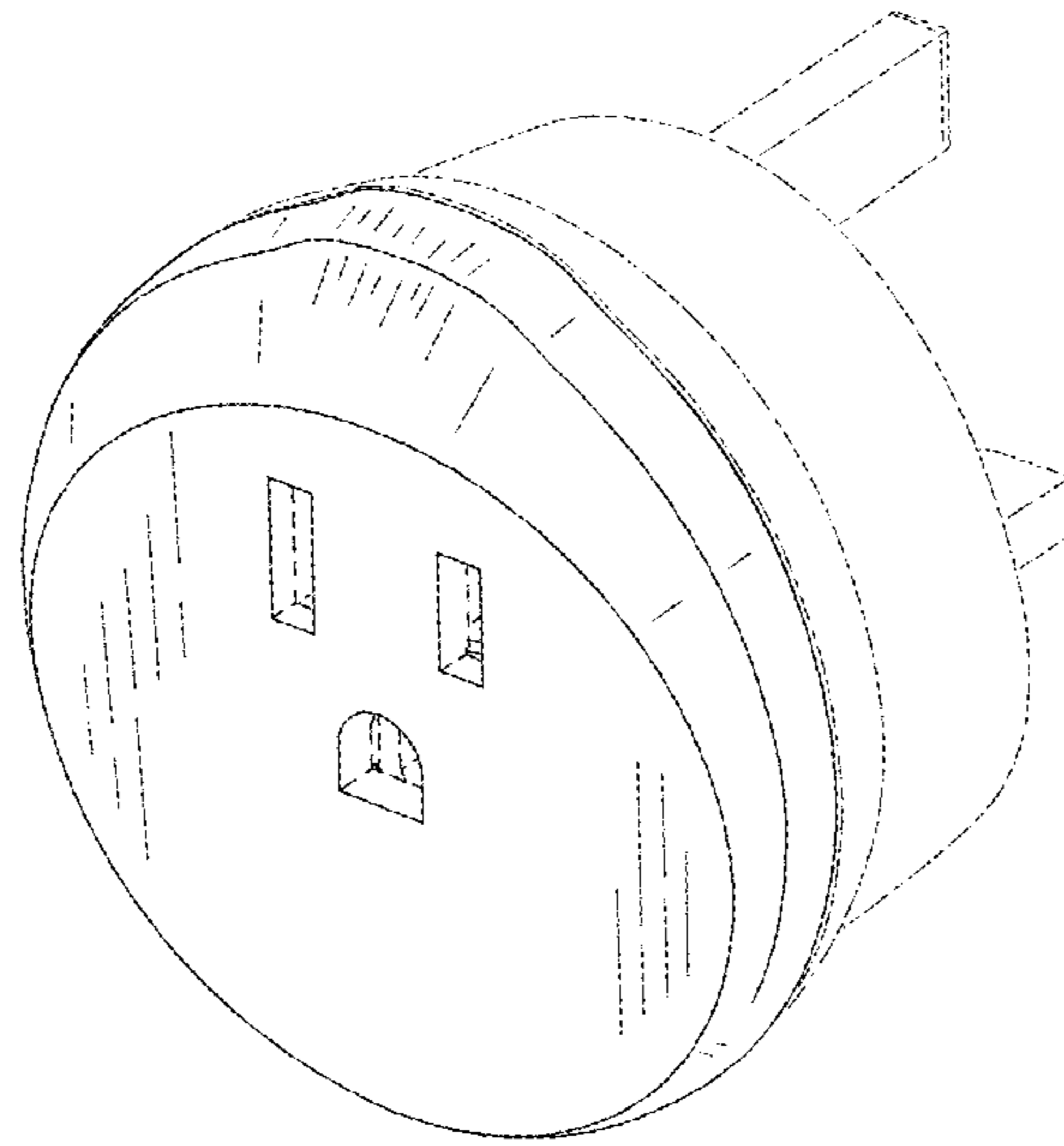


Fig. 14