



US00D826858S

(12) **United States Design Patent**
Little

(10) **Patent No.:** **US D826,858 S**

(45) **Date of Patent:** **** Aug. 28, 2018**

(54) **PLUG ADAPTER**

2014/0199867 A1* 7/2014 Rogers H01R 27/00
439/173

(71) Applicant: **DG International Holdings Limited**,
London (GB)

* cited by examiner

(72) Inventor: **Simon Little**, Middlesex (GB)

Primary Examiner — Rosemary K Tarcza

Assistant Examiner — Christy M Nemeth

(73) Assignee: **DG International Holdings Limited**,
Mill Hill, London (GB)

(74) *Attorney, Agent, or Firm* — Davis, Brown, Koehn,
Shors & Roberts, P.C.; Matthew Warner-Blankenship

(**) Term: **15 Years**

(57) **CLAIM**

The ornamental design for a plug adapter, as shown and described.

(21) Appl. No.: **29/578,291**

DESCRIPTION

(22) Filed: **Sep. 20, 2016**

(51) **LOC (11) Cl.** **13-03**

(52) **U.S. Cl.**
USPC **D13/137.2**

(58) **Field of Classification Search**
USPC D13/108, 110, 123, 133, 137.1–137.4,
D13/138.1–138.2, 139.1–139.8, 152–154,
D13/156, 158, 177; D8/350–353
CPC H01R 25/00; H01R 25/006
See application file for complete search history.

FIG. 1 is a top view of a first embodiment of a plug adapter;
FIG. 2 is a bottom view thereof;
FIG. 3 is a left side view thereof;
FIG. 4 is a right side view thereof;
FIG. 5 is a front view thereof;
FIG. 6 is a rear view thereof;
FIG. 7 is a perspective view thereof;
FIG. 8 is a top view of a second embodiment of a plug
adapter;
FIG. 9 is a bottom view thereof;
FIG. 10 is a left side view thereof;
FIG. 11 is a right side view thereof;
FIG. 12 is a front view thereof;
FIG. 13 is a rear view thereof; and,
FIG. 14 is a perspective view thereof.

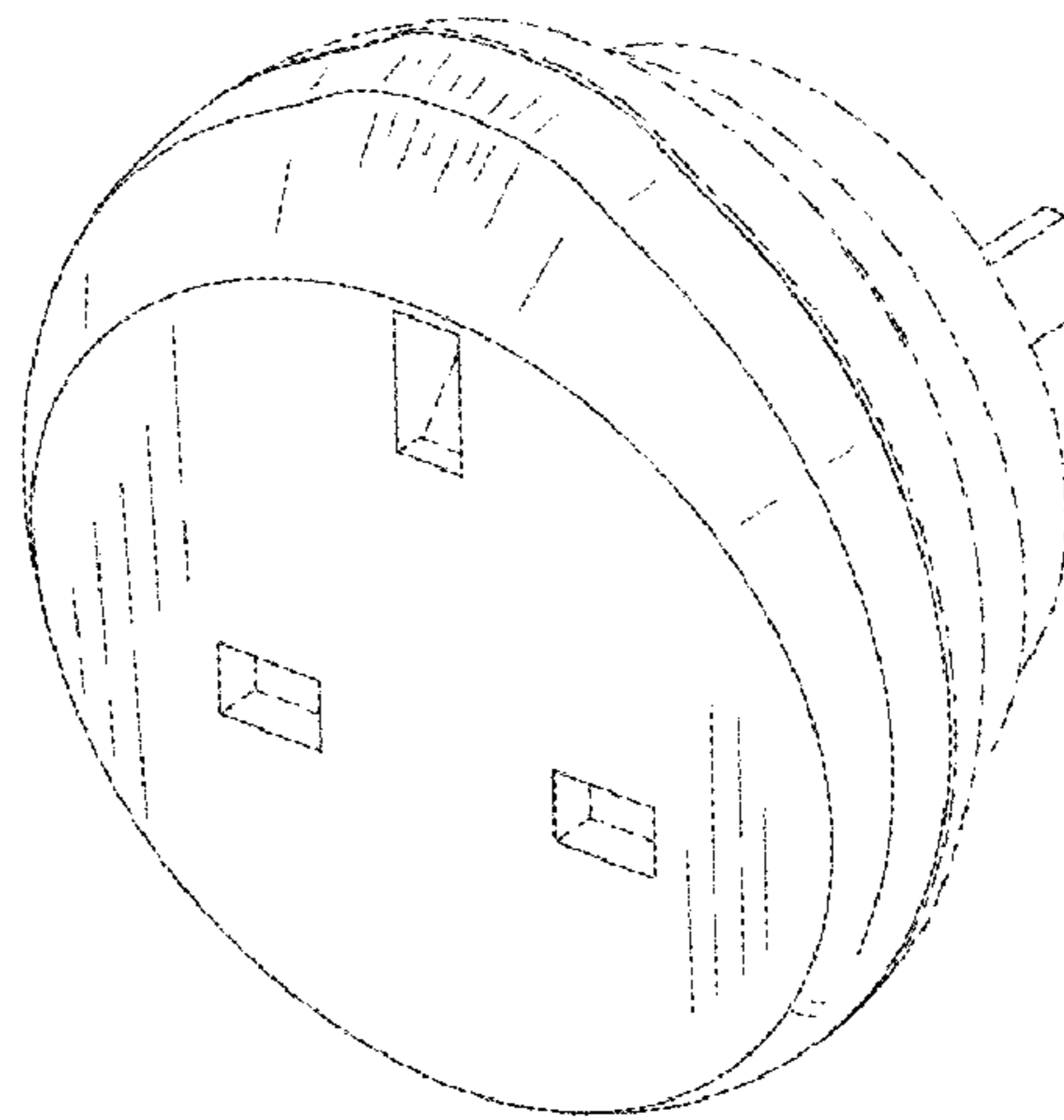
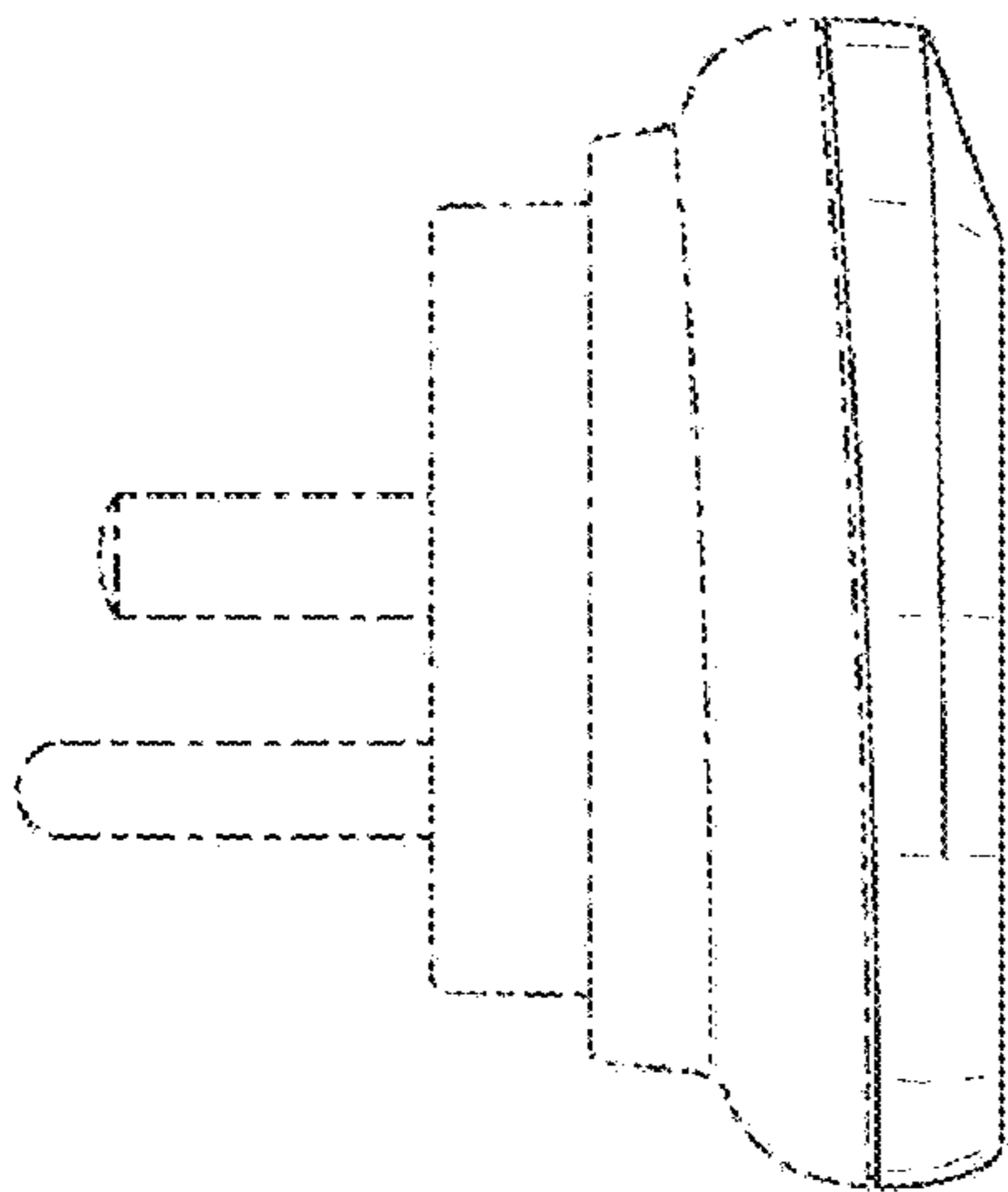
The dash-dash broken lines in the drawings are for the
purpose of illustrating portions of the plug adapter that form
no part of the claimed design. The dash-dot broken lines in
the drawings are for the purpose of illustrating environmen-
tal subject matter that forms no part of the claimed design.

(56) **References Cited**

U.S. PATENT DOCUMENTS

D549,650 S *	8/2007	Russell	D13/137.2
D610,092 S *	2/2010	Jimenez	D13/137.2
D702,639 S *	4/2014	Ruffner	D13/110
D707,626 S *	6/2014	Atkinson	D13/110
D722,020 S *	2/2015	Benedict	D13/110

1 Claim, 14 Drawing Sheets



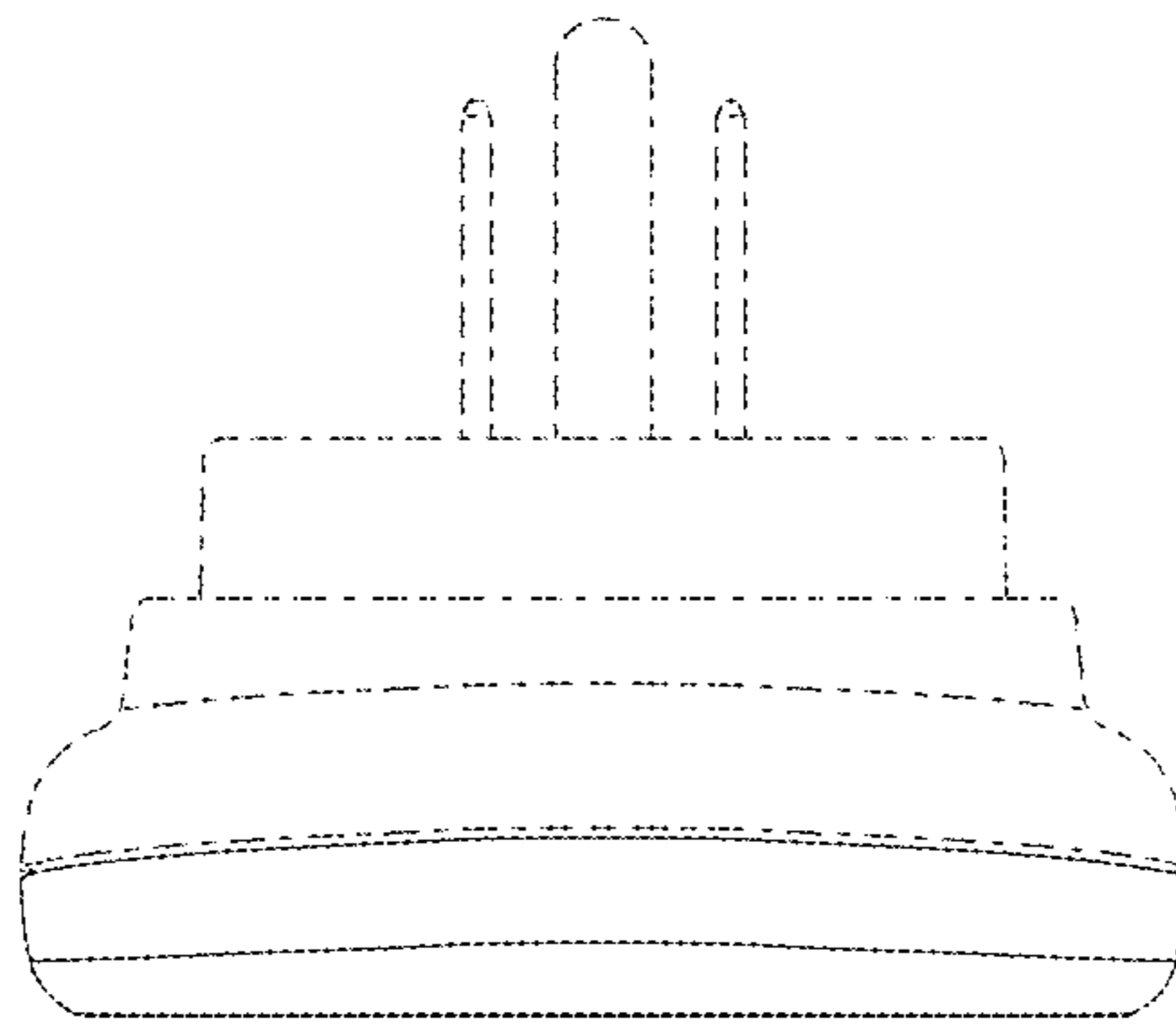


Fig. 1

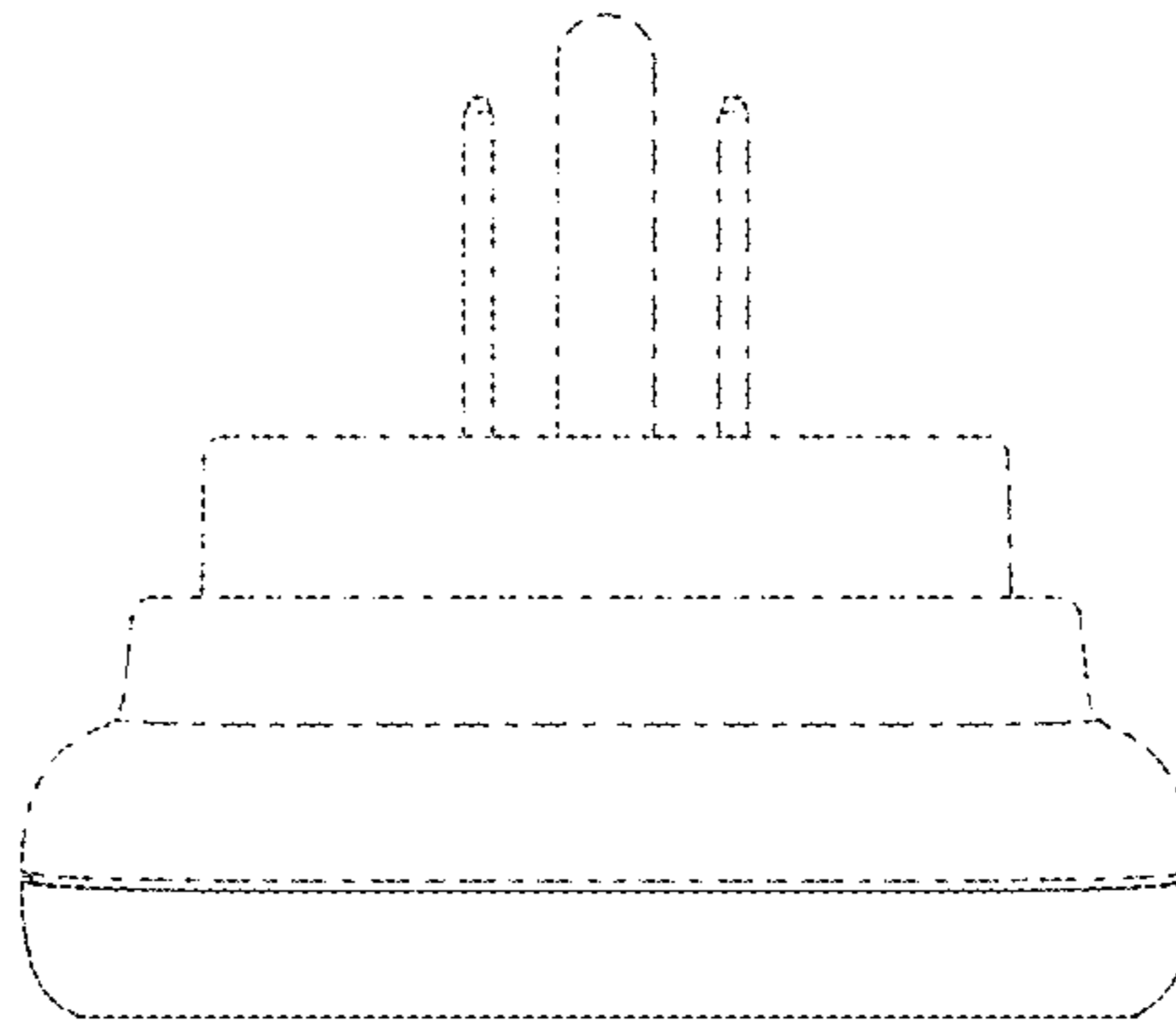


Fig. 2

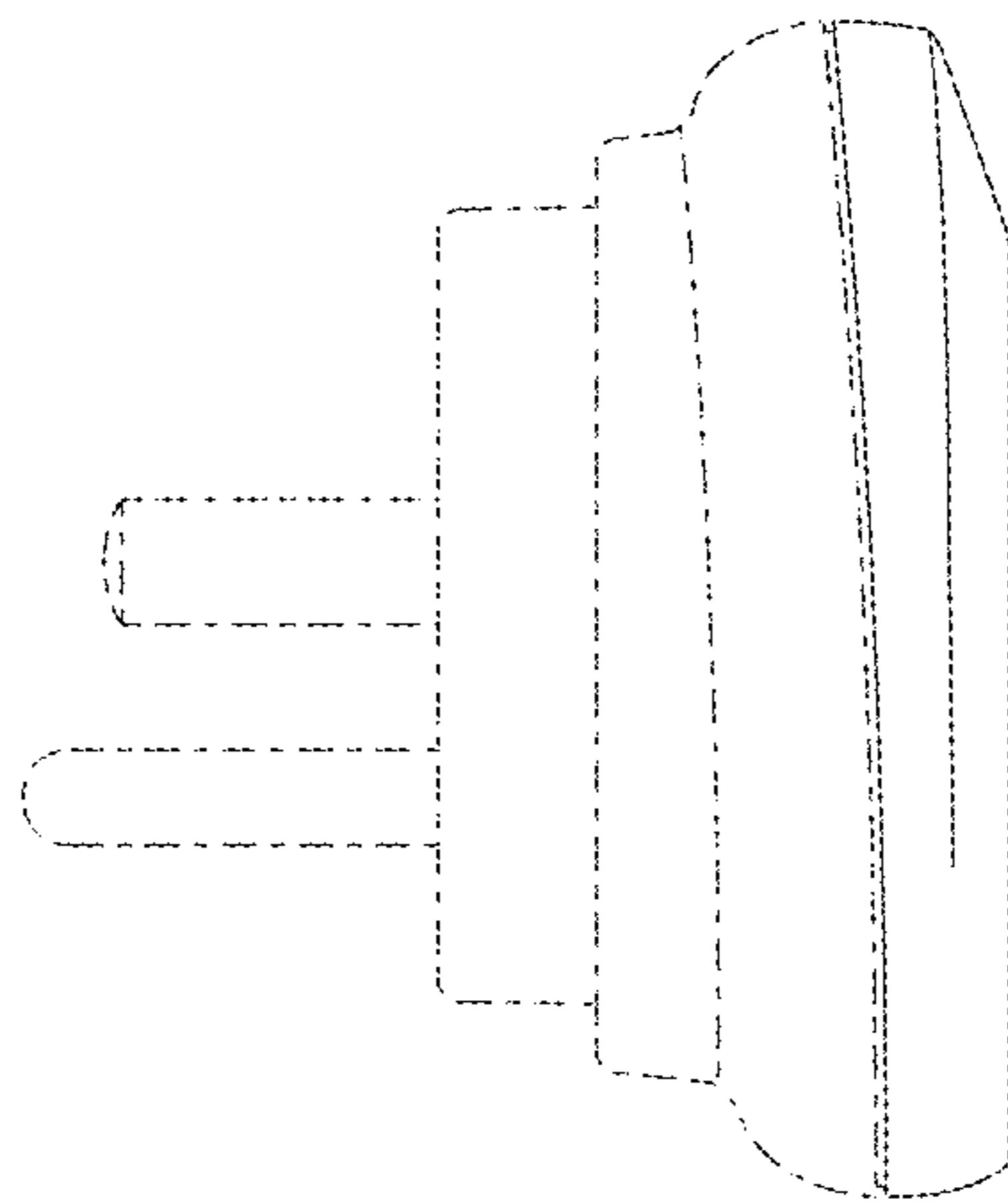


Fig. 3

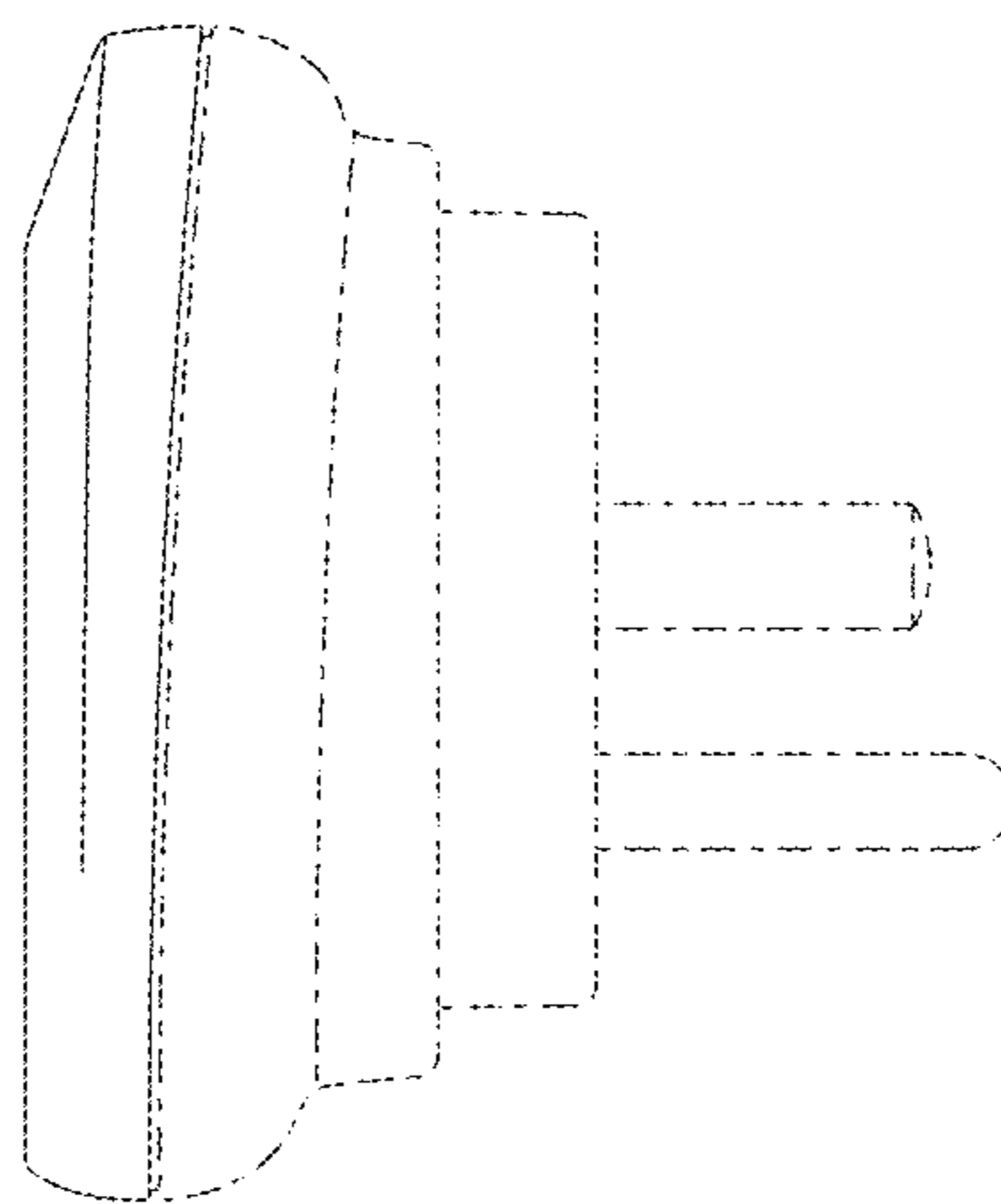


Fig. 4

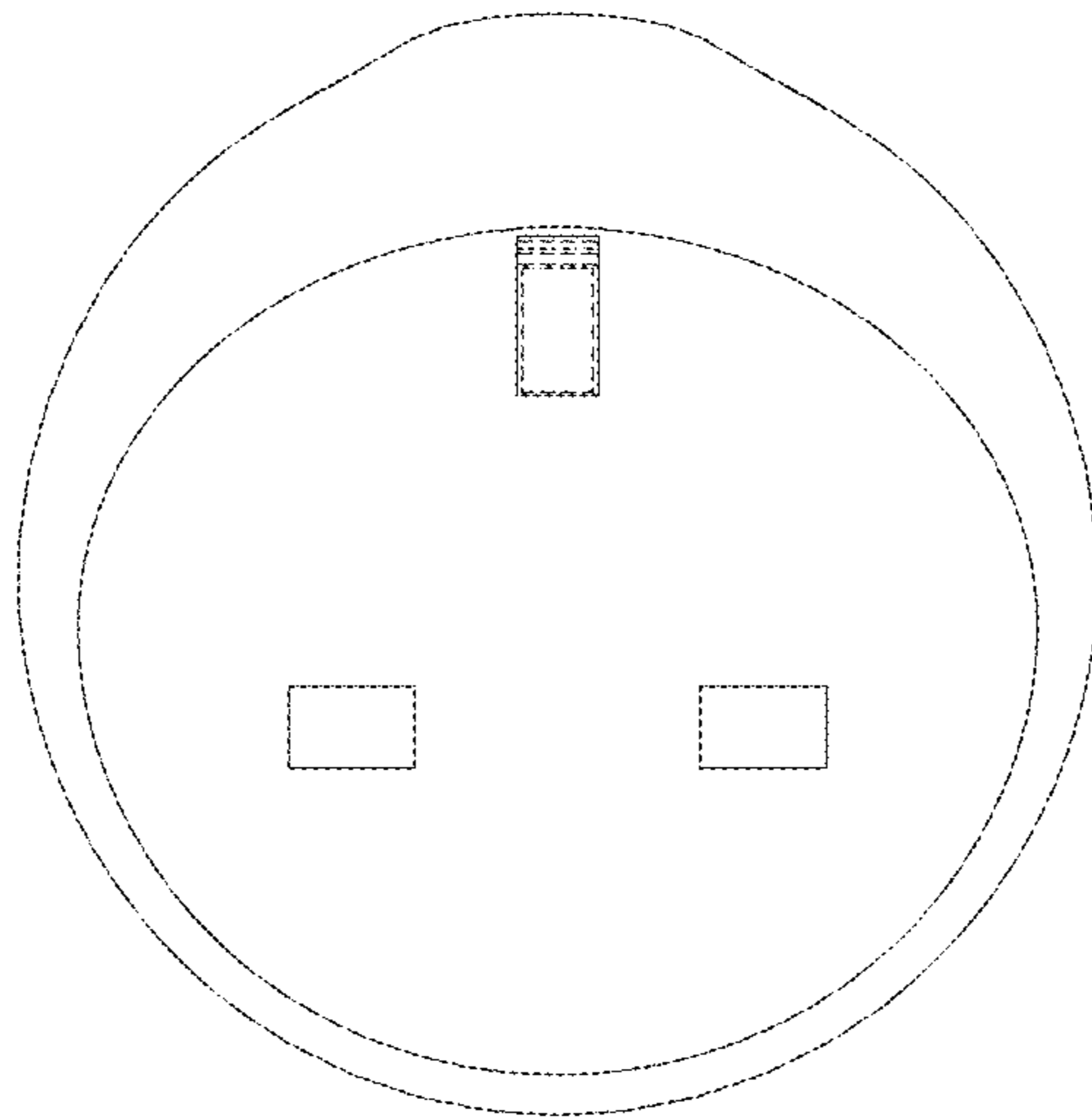


Fig. 5

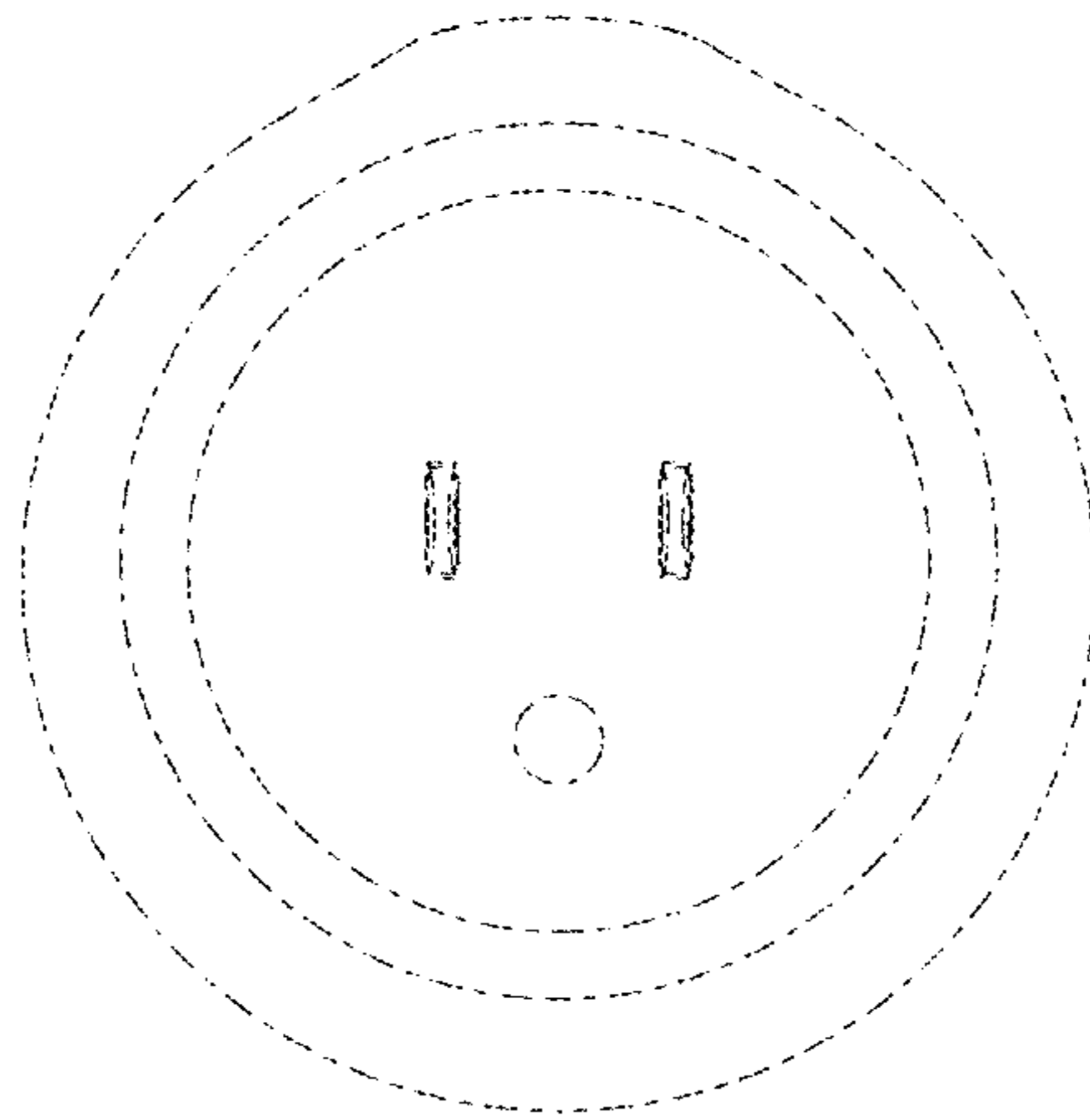


Fig. 6

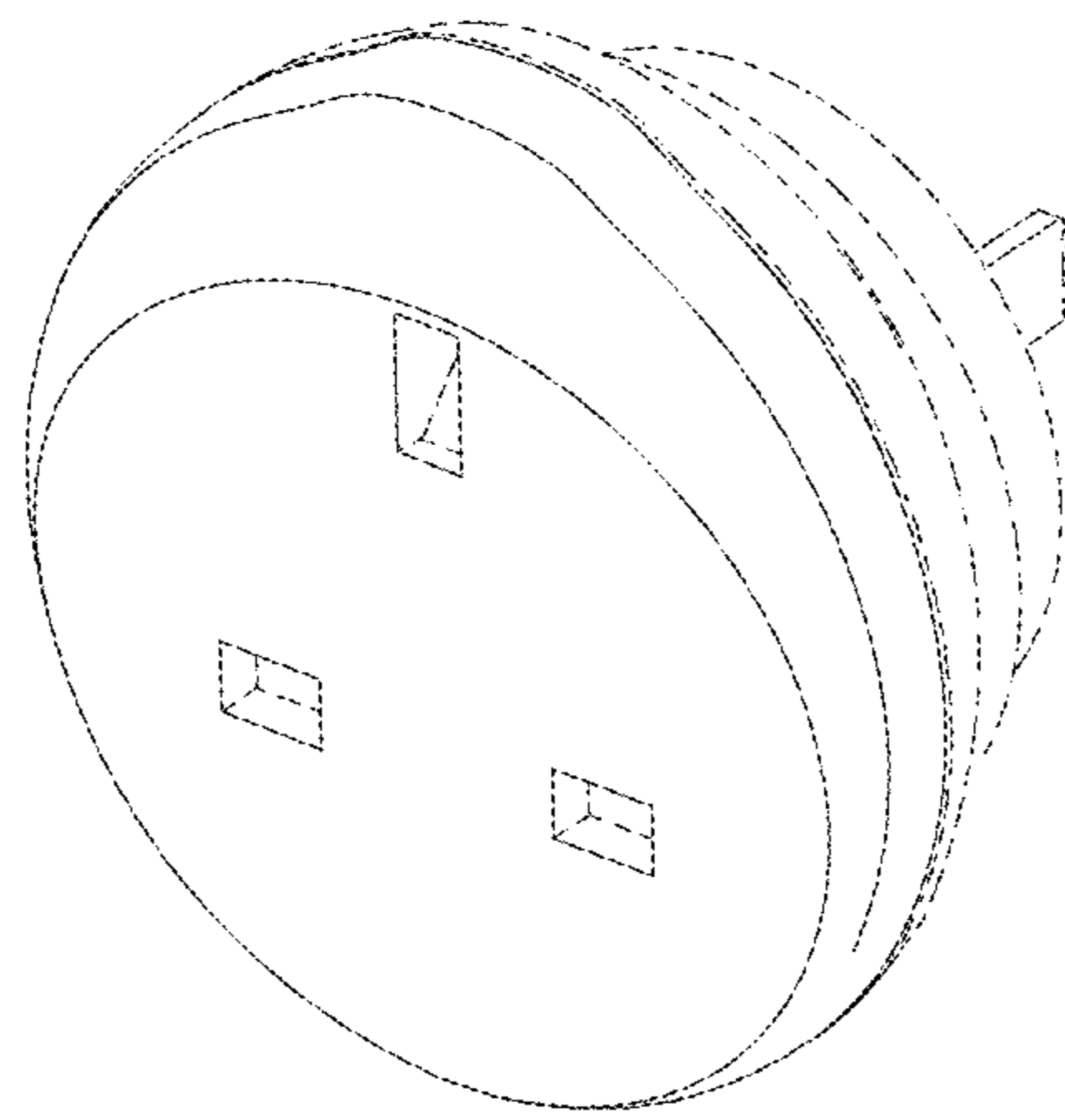


Fig. 7

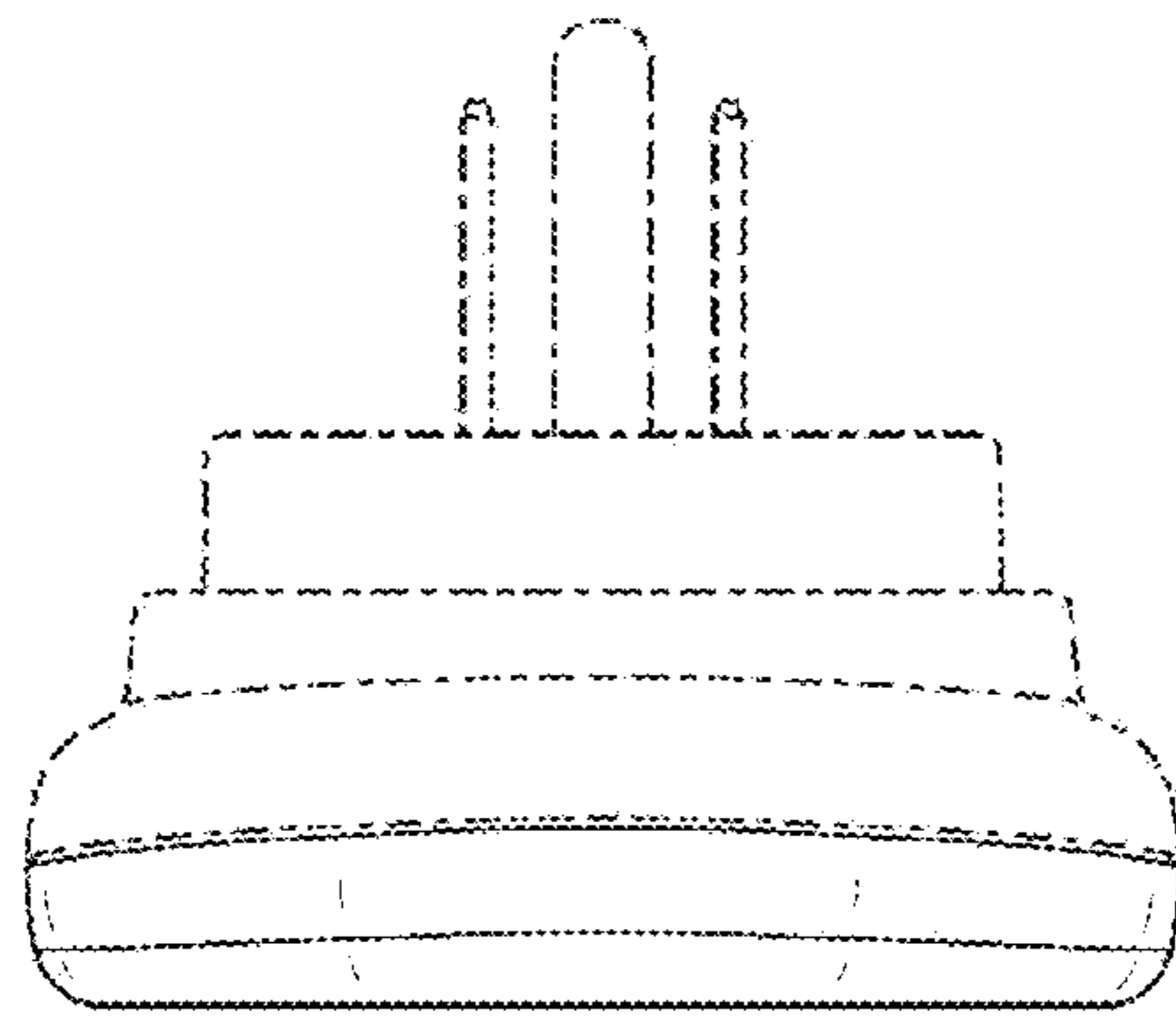


Fig. 8

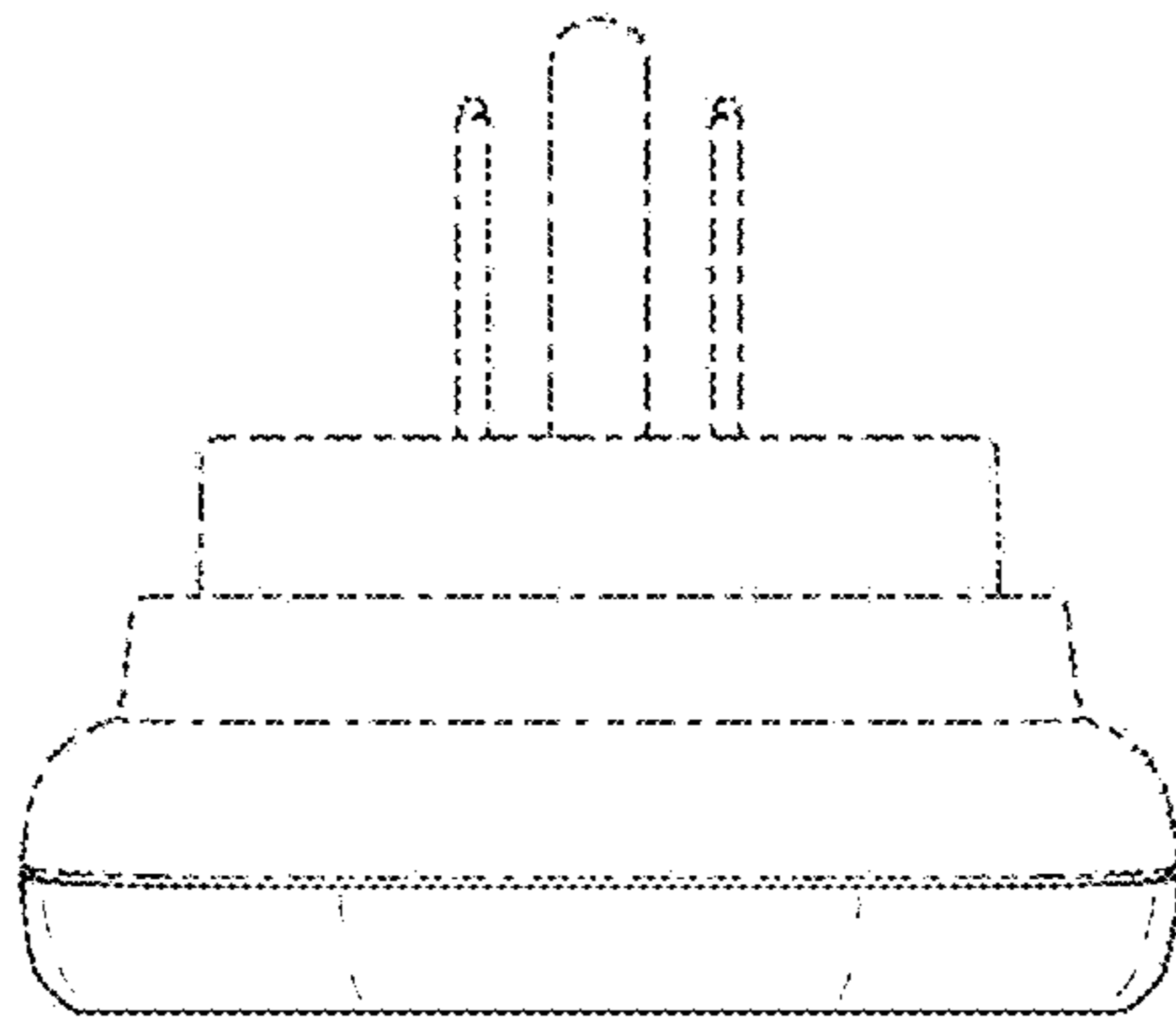


Fig. 9

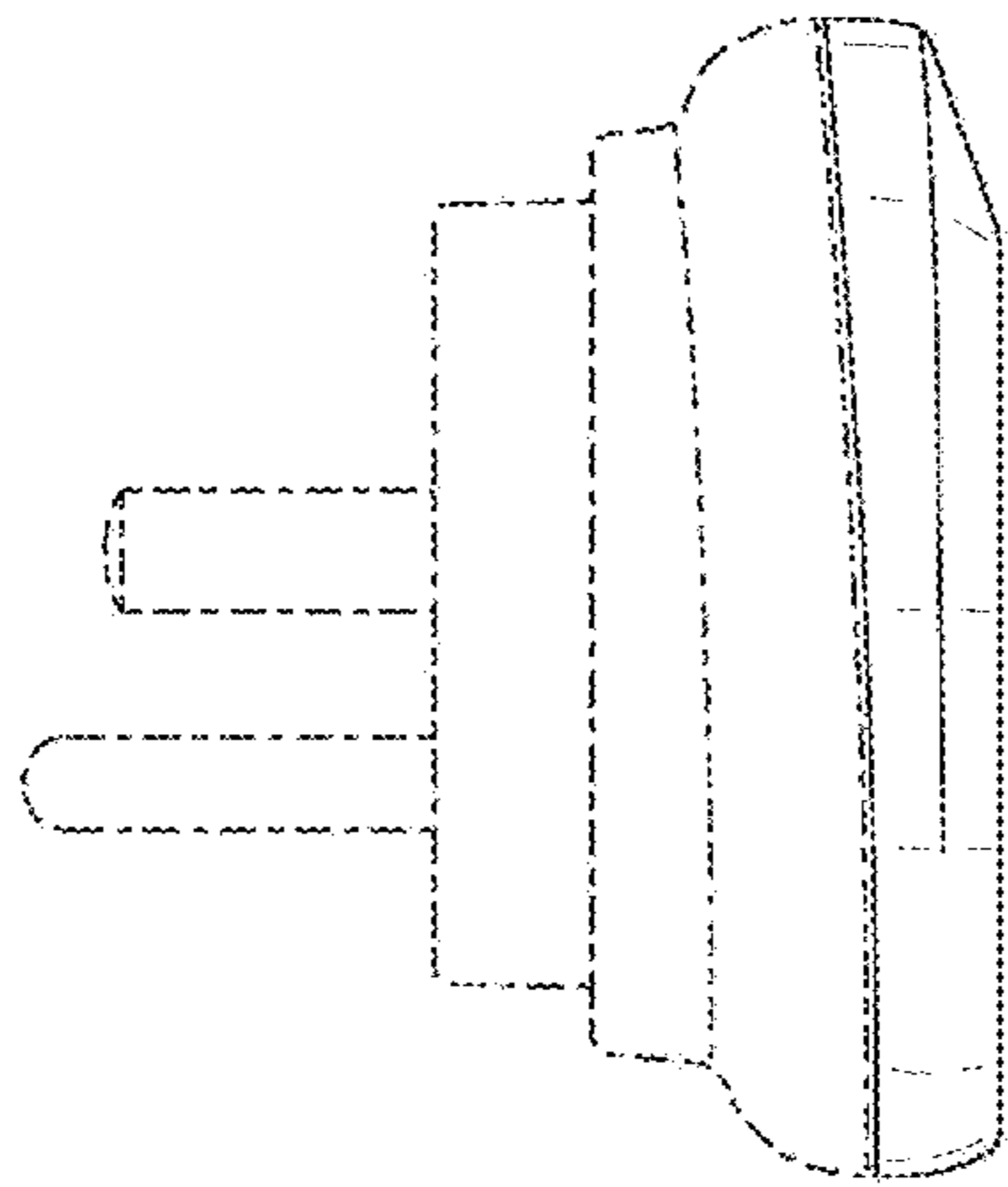


Fig. 10

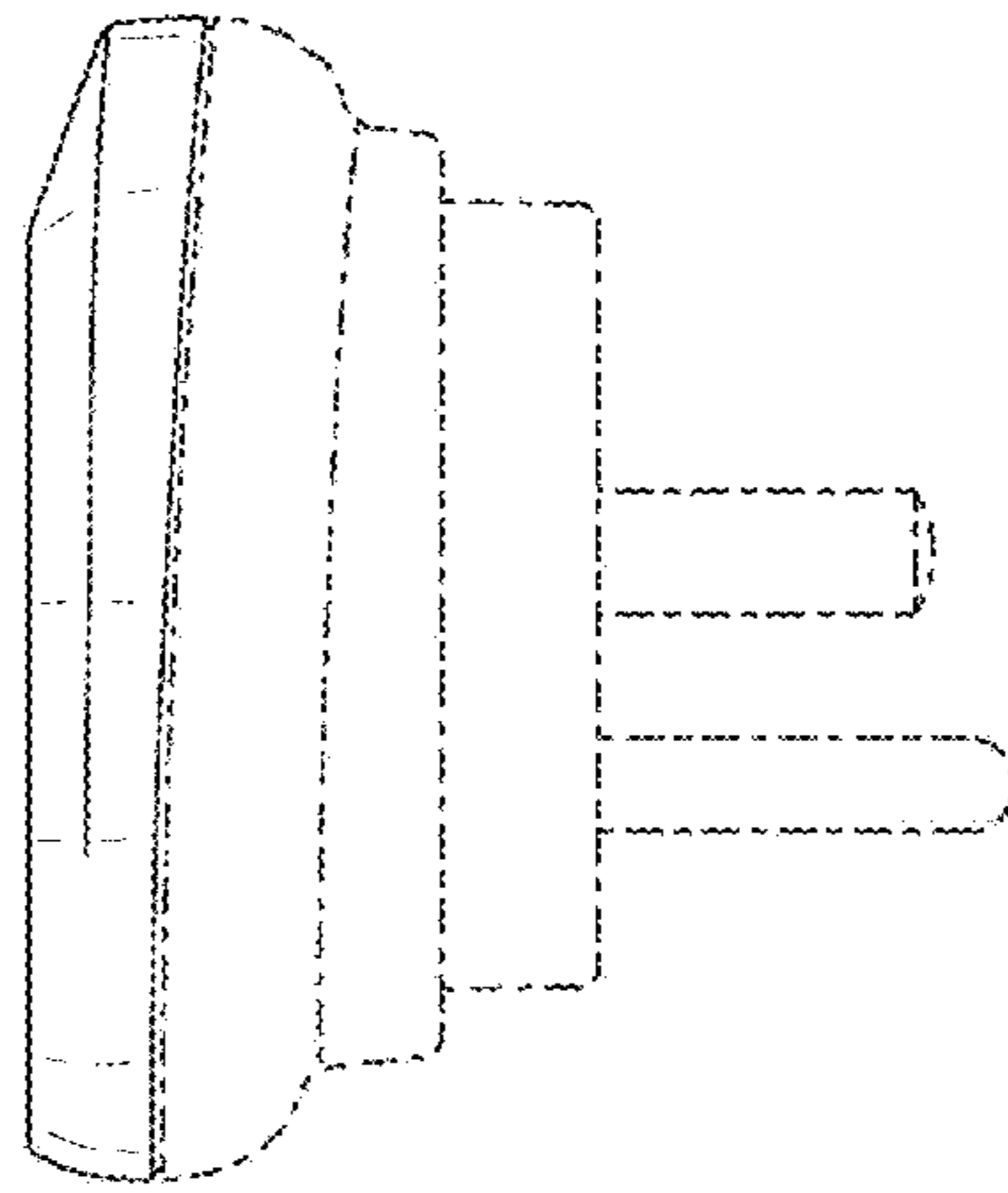


Fig. 11

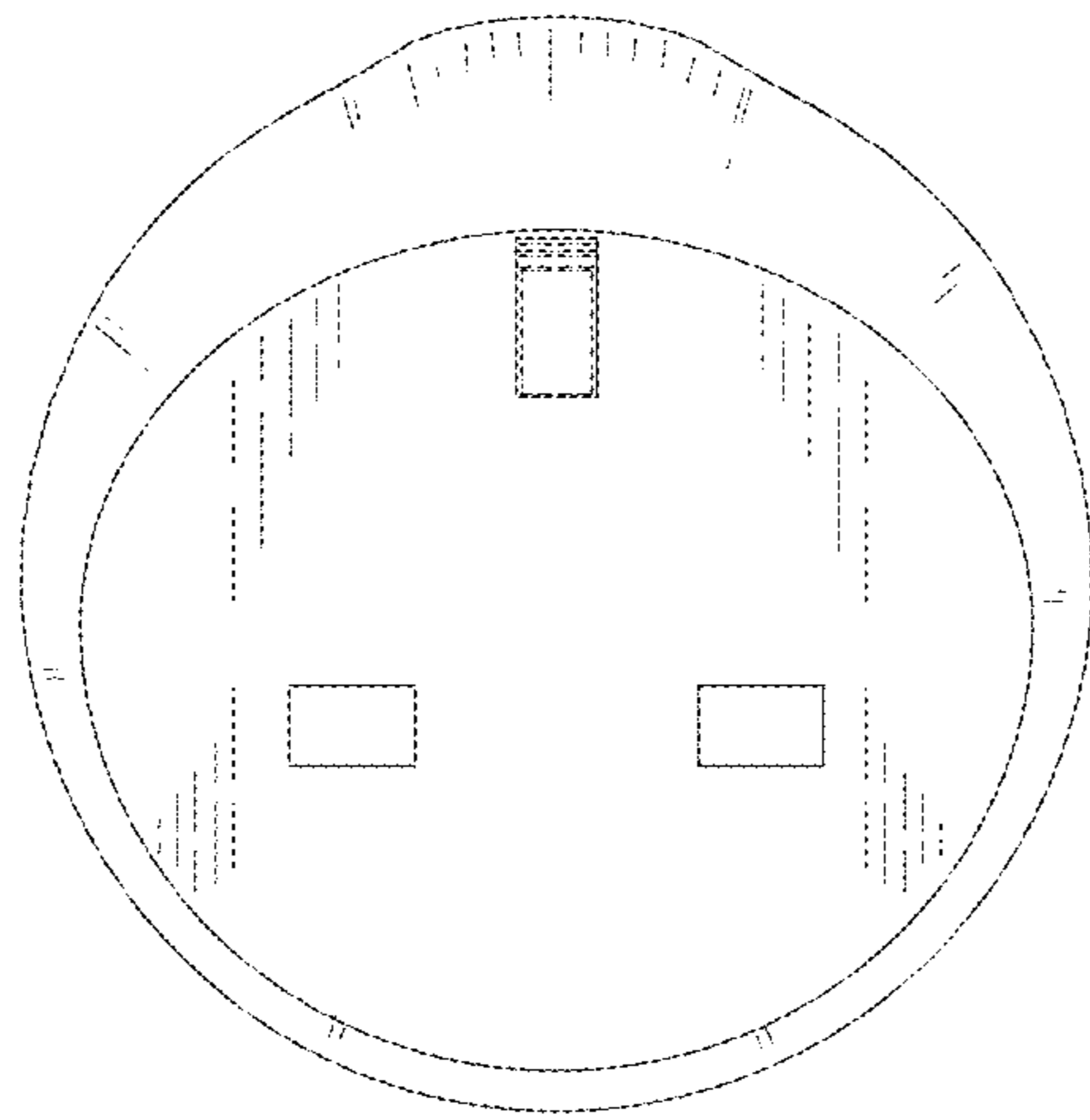


Fig. 12

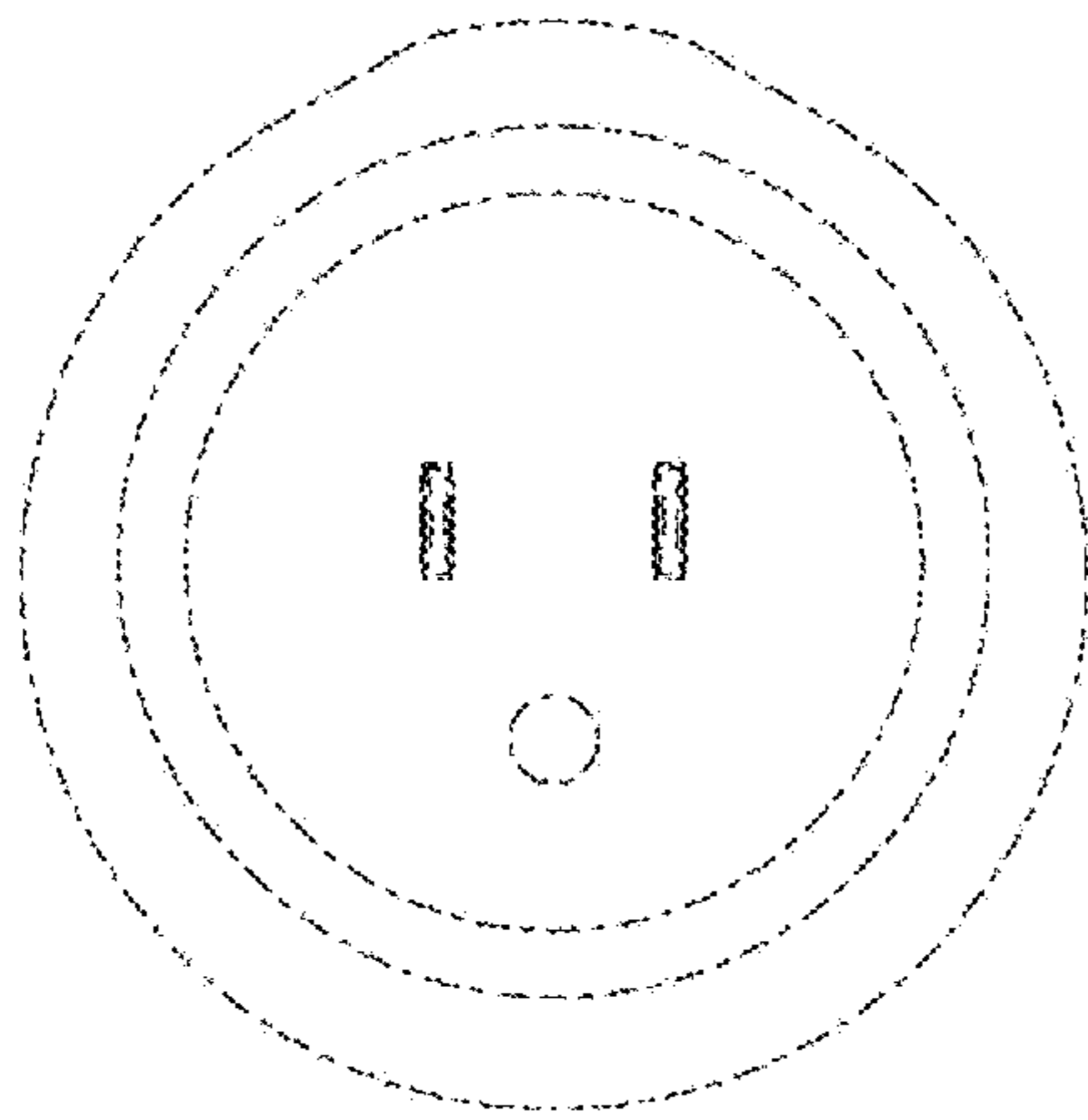


Fig. 13

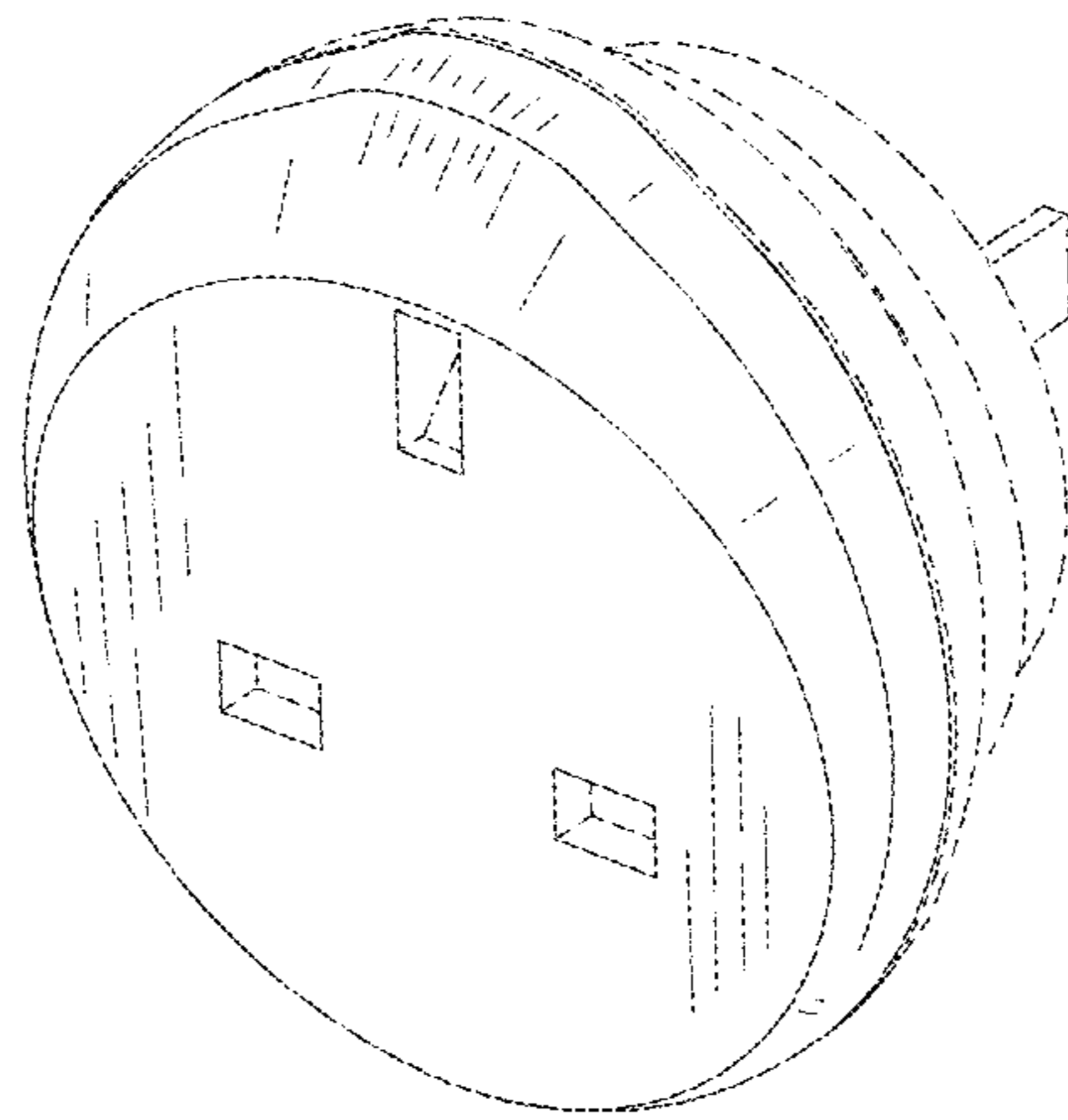


Fig. 14