



US00D826857S

(12) **United States Design Patent** (10) **Patent No.:** **US D826,857 S**
Imanishi et al. (45) **Date of Patent:** **** Aug. 28, 2018**

(54) **SOFT MAGNETIC CORE PIECE FOR SOFT MAGNETIC CORE ASSEMBLY**

Primary Examiner — Derrick Holland
(74) *Attorney, Agent, or Firm* — Buchanan Ingersoll & Rooney PC

(71) Applicant: **SHT Corporation Limited**,
Izumisano-shi, Osaka (JP)

(72) Inventors: **Tsunetsugu Imanishi**, Izumisano (JP);
Yasuomi Takahashi, Izumisano (JP);
Masafumi Inoue, Izumisano (JP)

(57) **CLAIM**

The ornamental design for a soft magnetic core piece for soft magnetic core assembly, as shown and described.

(73) Assignee: **SHT Corporation Limited**,
Izumisano-shi, Osaka (JP)

(**) Term: **15 Years**

DESCRIPTION

(21) Appl. No.: **29/593,503**

(22) Filed: **Feb. 9, 2017**

(30) **Foreign Application Priority Data**

Aug. 10, 2016 (JP) 2016-017178
Aug. 10, 2016 (JP) 2016-017179

(51) **LOC (11) Cl.** **13-02**

(52) **U.S. Cl.**
USPC **D13/118; D13/117**

(58) **Field of Classification Search**
USPC D13/117, 101, 118, 133, 179, 183, 199;
123/634; 250/231.12; 336/83, 90, 92,
336/96, 160, 178, 192, 198, 200; D15/5,
D15/199

CPC . H01F 5/02; H01F 5/04; H01F 27/022; H01F
27/24; H01F 27/28; H01F 27/29; H01F
27/292; H01F 27/325; H01F 27/2847;
H01F 41/061; H01F 41/10; Y10T
29/4902;

(Continued)

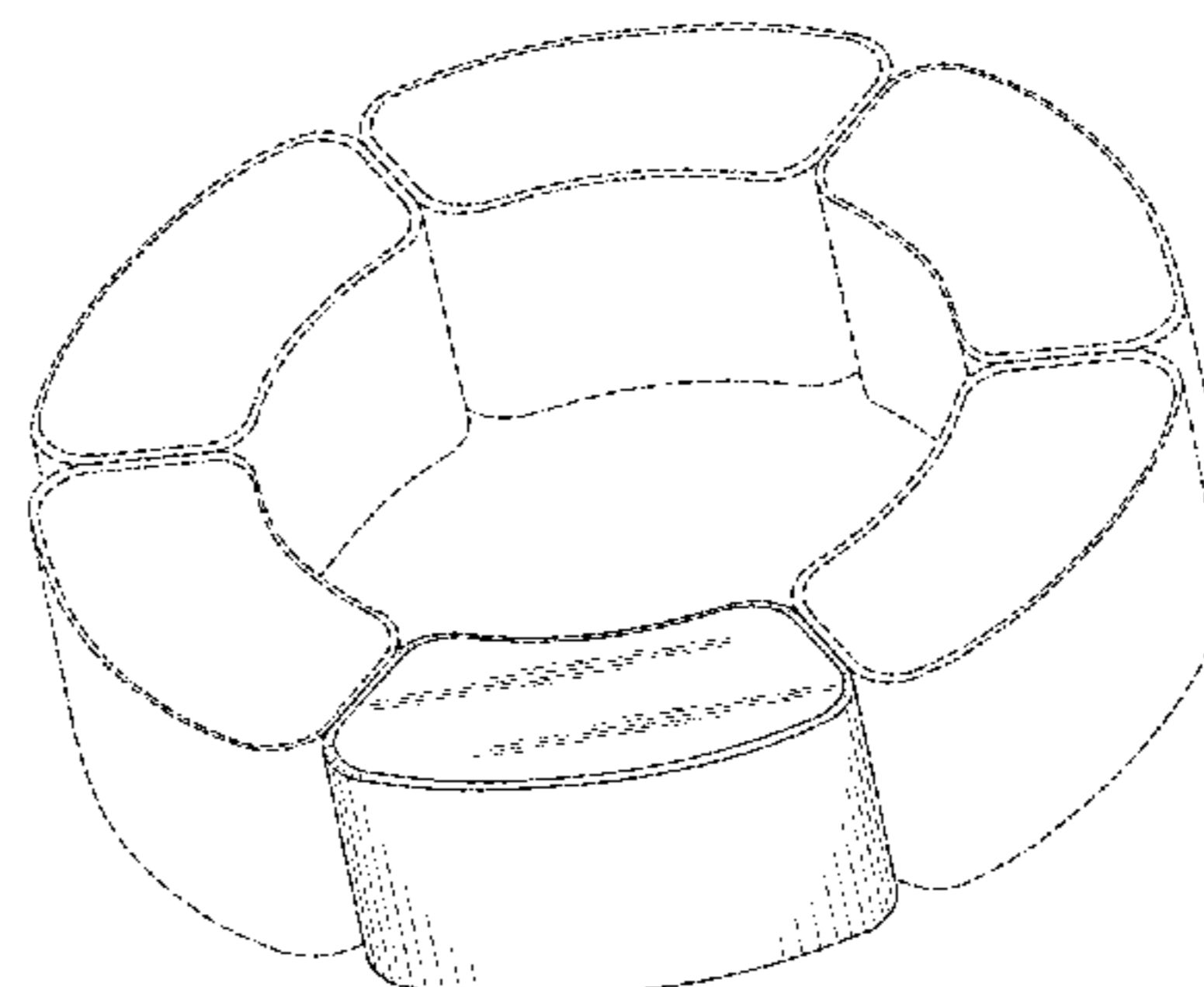
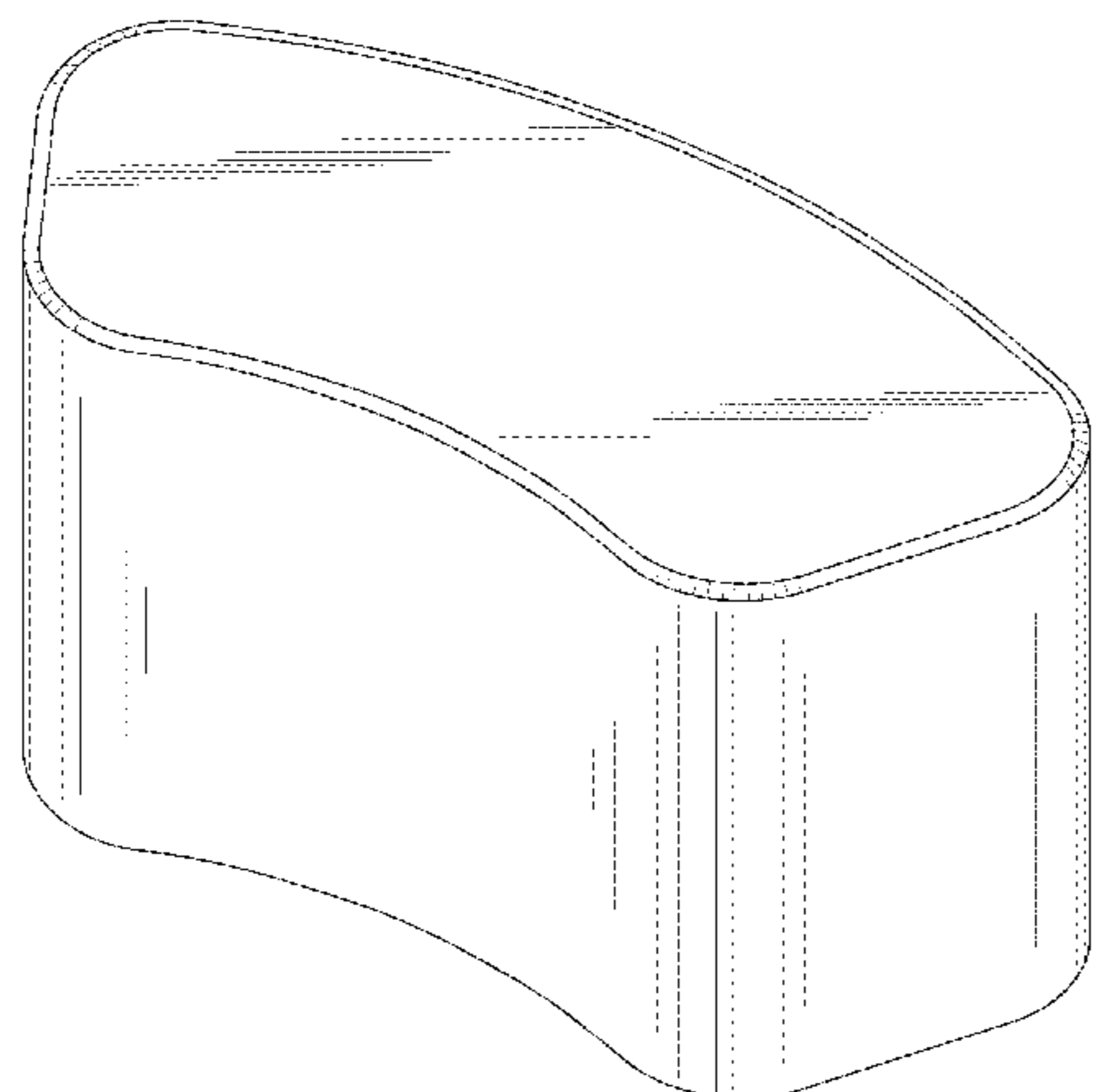
(56) **References Cited**

U.S. PATENT DOCUMENTS

D204,382 S * 4/1966 Sweeney D13/183
4,424,504 A * 1/1984 Mitsui H01F 27/266
336/233

(Continued)

1 Claim, 10 Drawing Sheets



(58) **Field of Classification Search**

CPC Y10T 29/49069; Y10T 29/49071; Y10T
29/49073

See application file for complete search history.

(56) **References Cited**

U.S. PATENT DOCUMENTS

5,175,525 A * 12/1992 Smith H01F 27/2866
336/183
D379,089 S * 5/1997 Harris D13/183
6,696,913 B2 * 2/2004 Meuche H01F 3/08
336/208
D537,778 S * 3/2007 Miyazaki D13/118
D613,245 S * 4/2010 Honna D13/118
D647,848 S * 11/2011 Yen D13/118

* cited by examiner

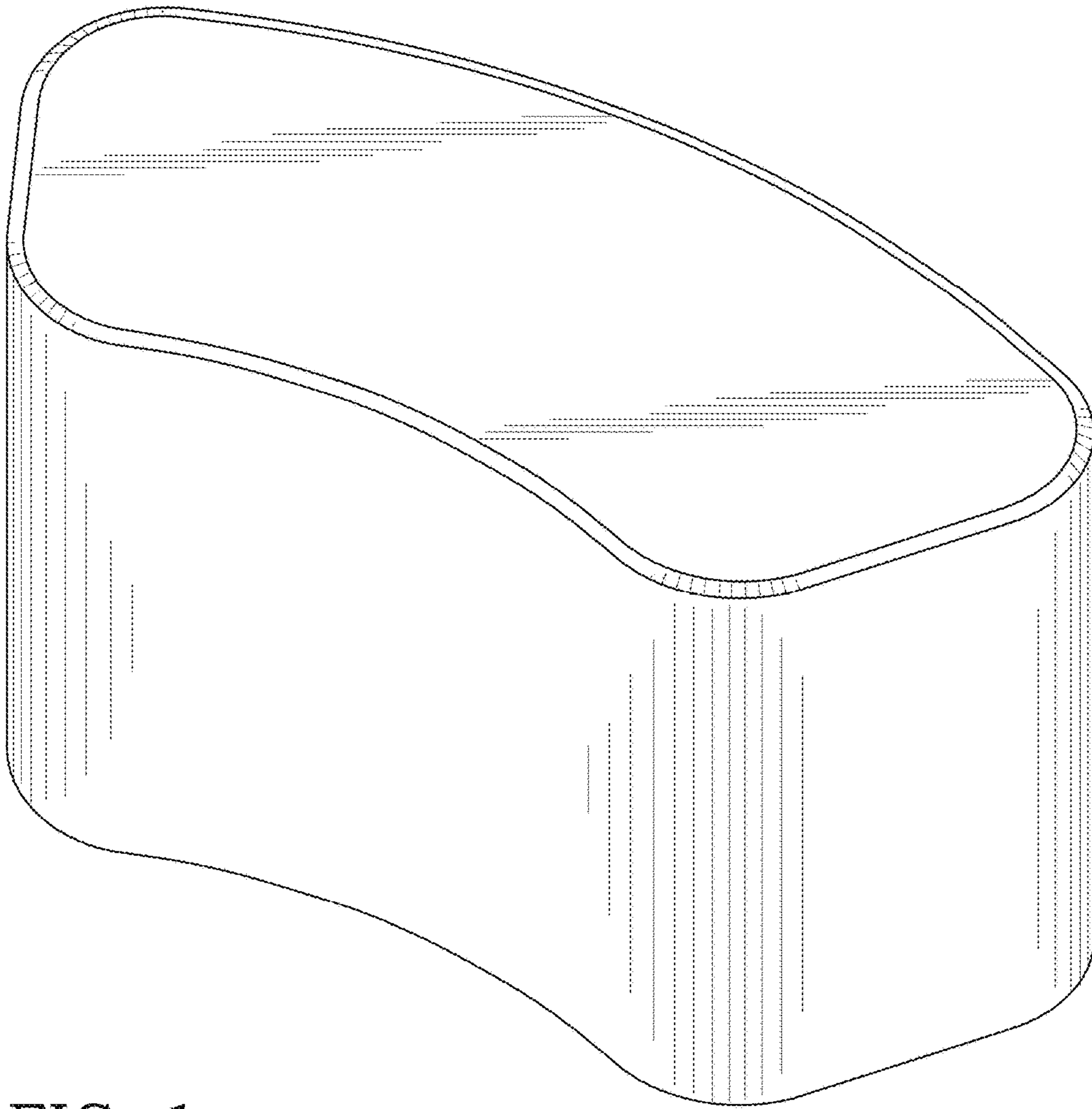


FIG. 1

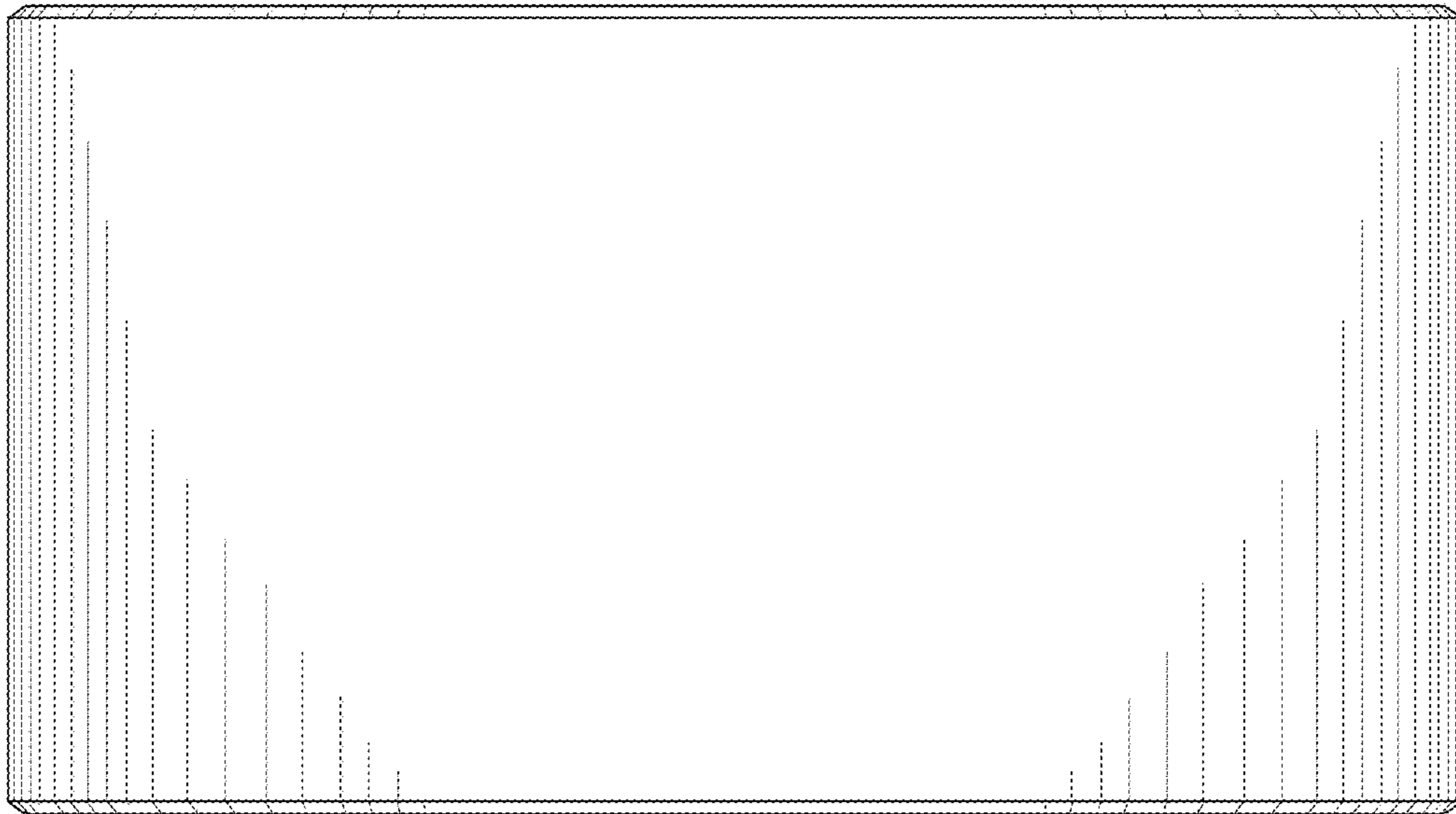


FIG. 2

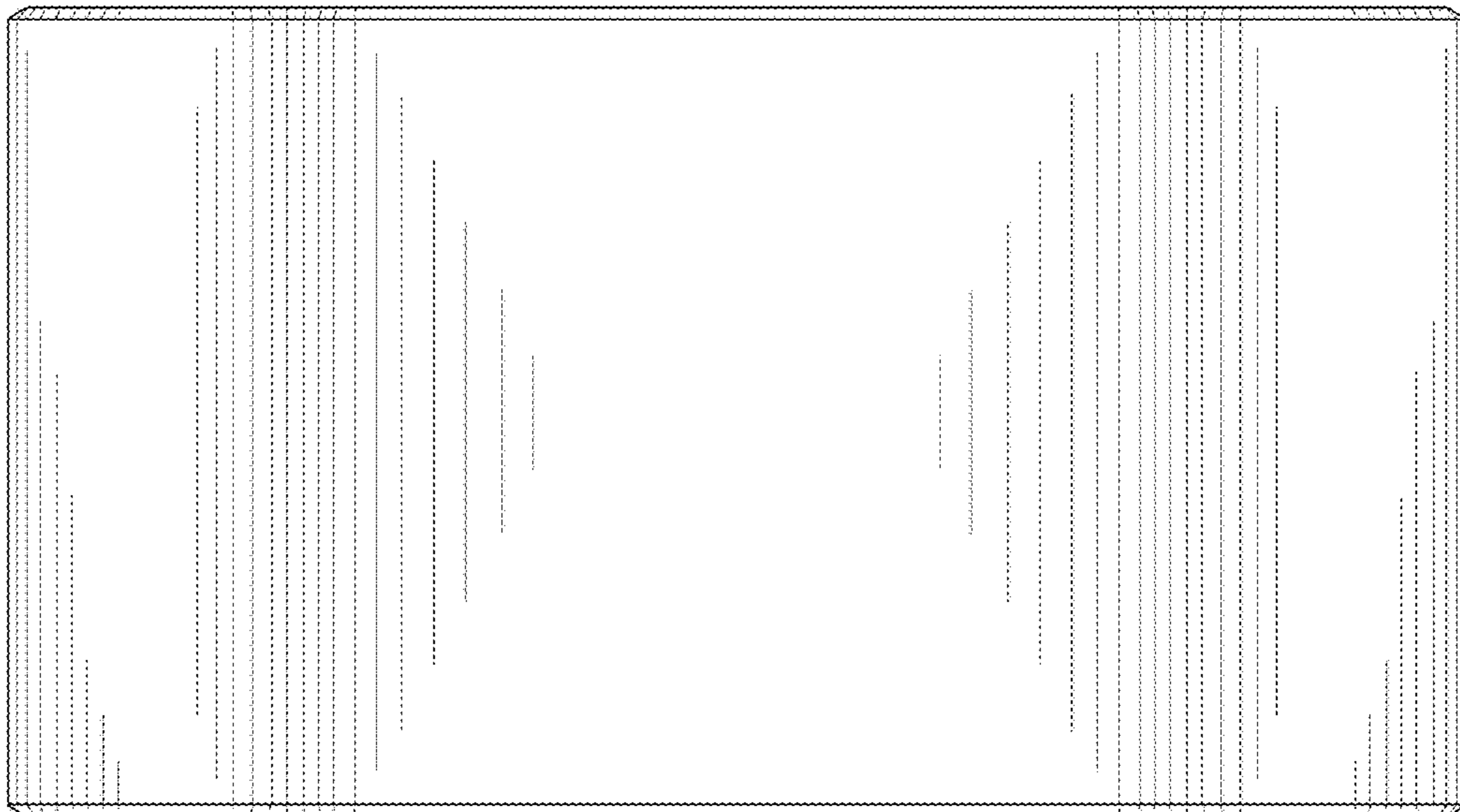


FIG. 3

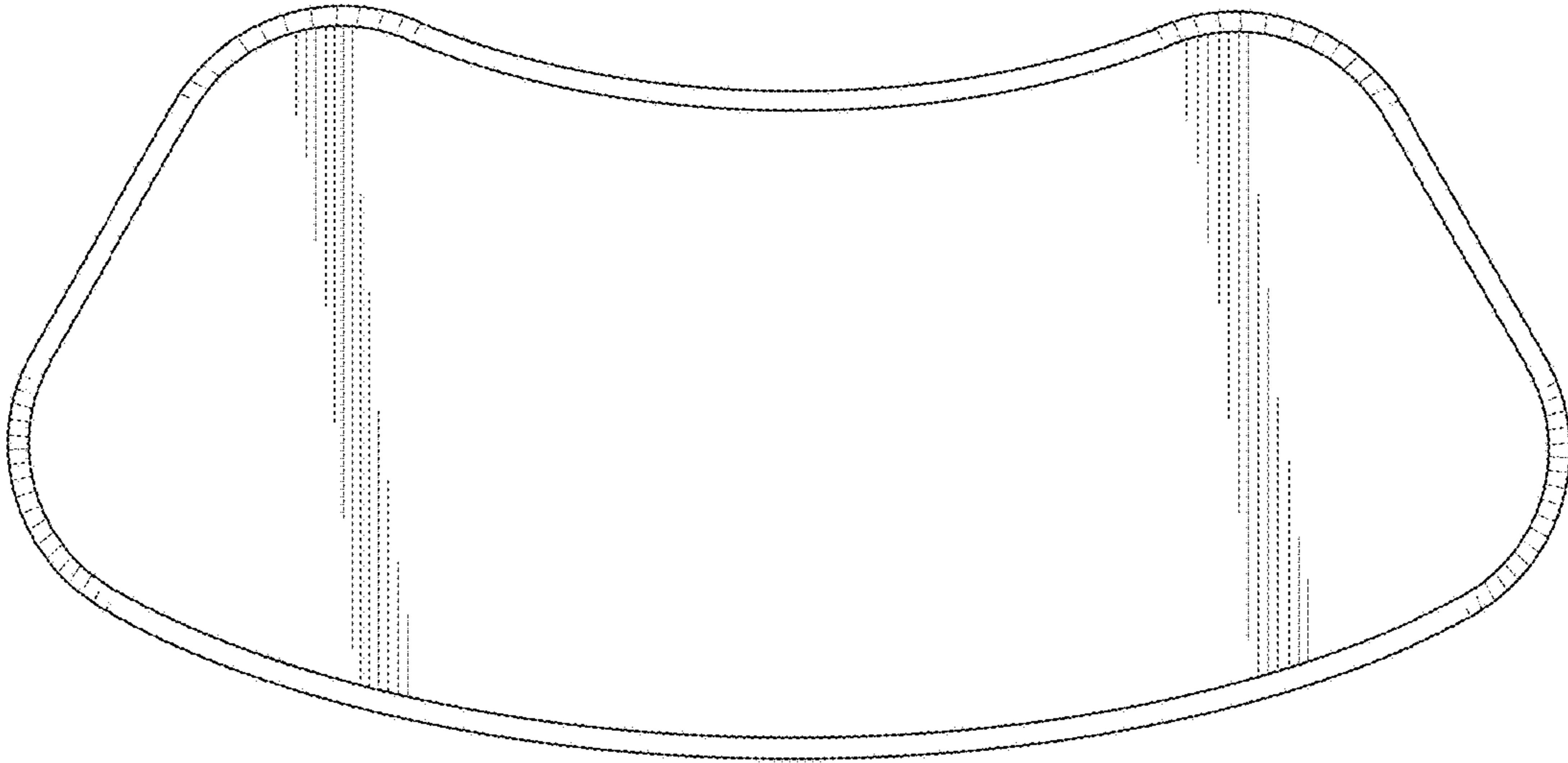


FIG. 4

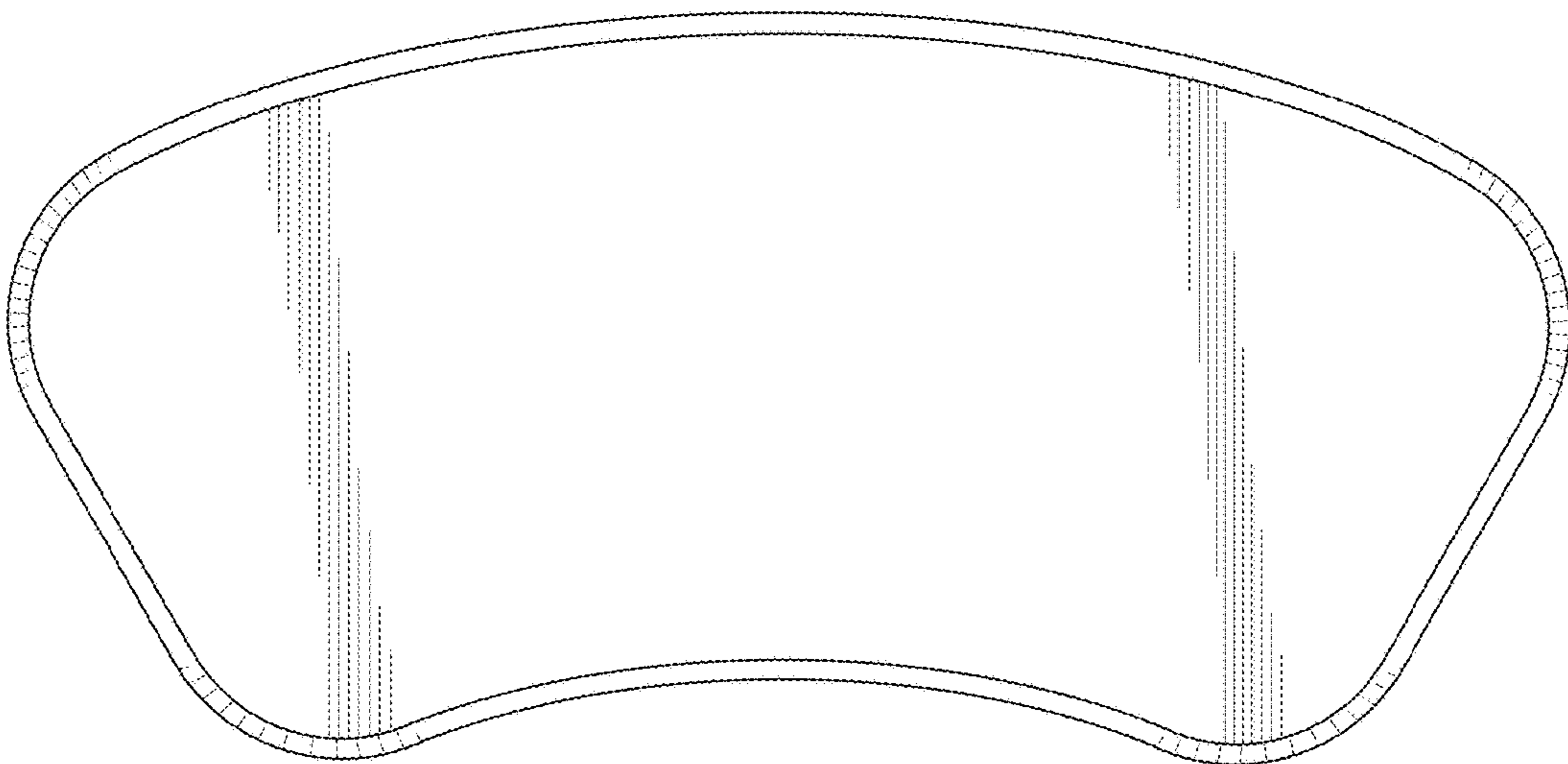


FIG. 5

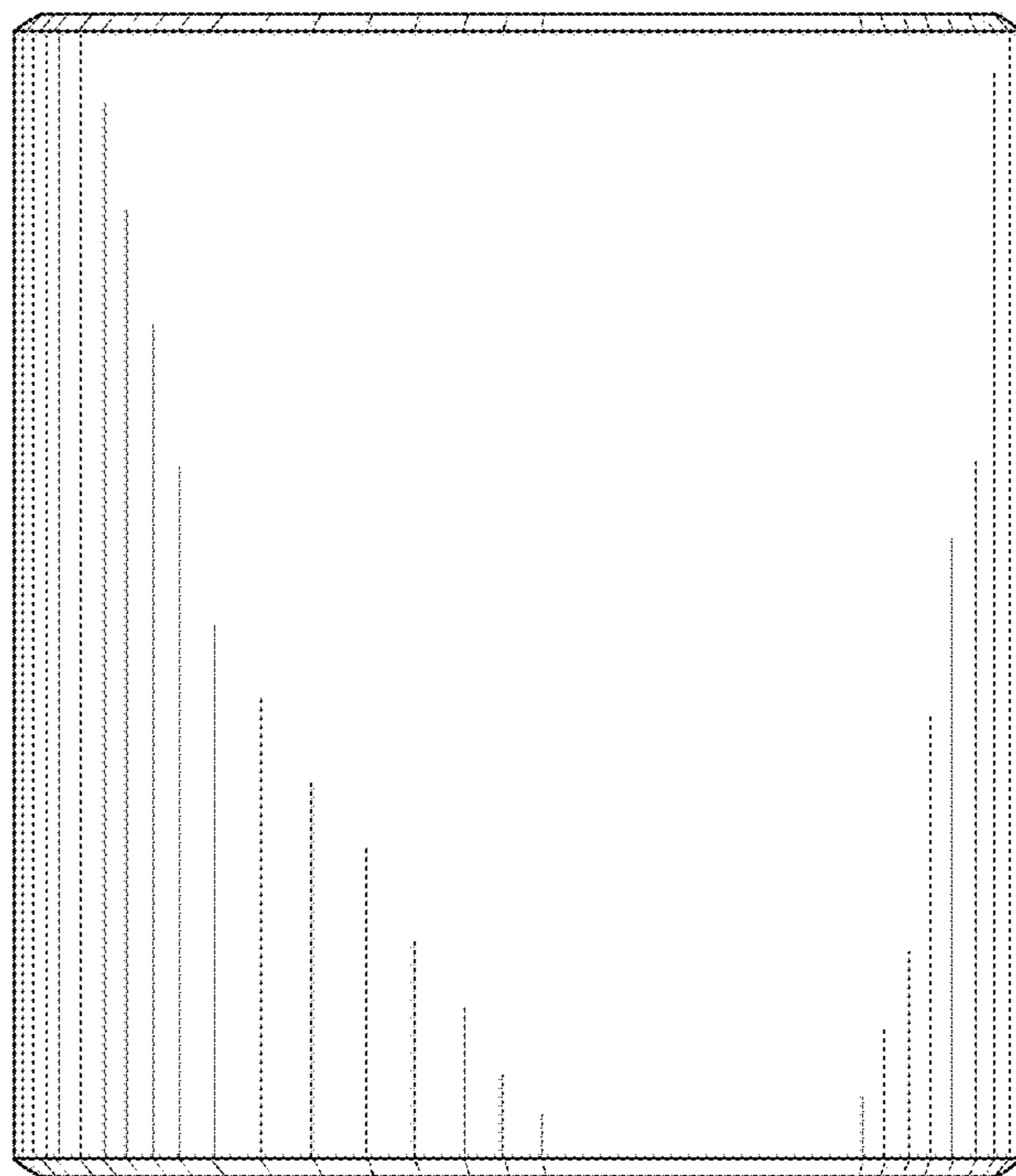


FIG. 6

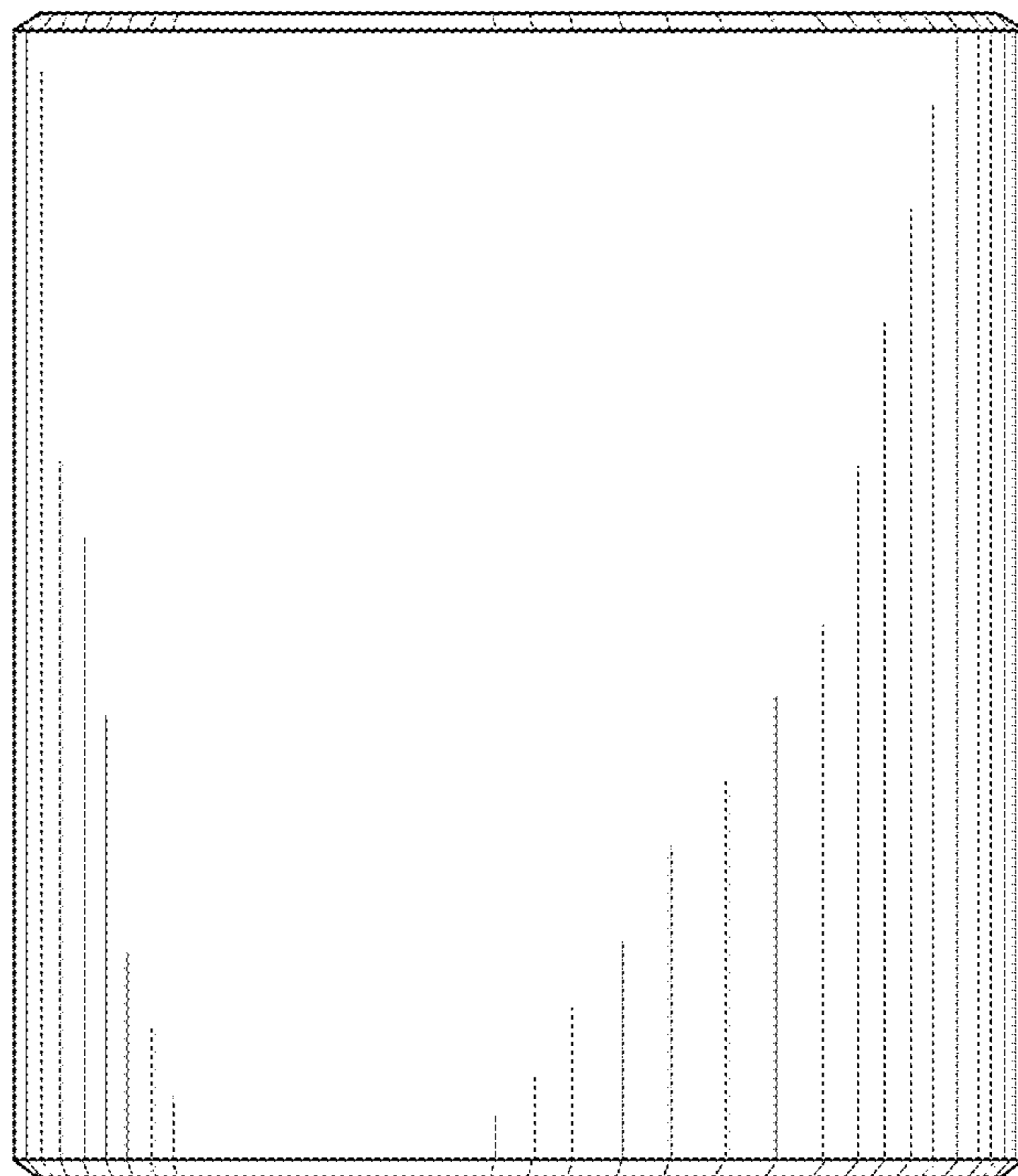


FIG. 7

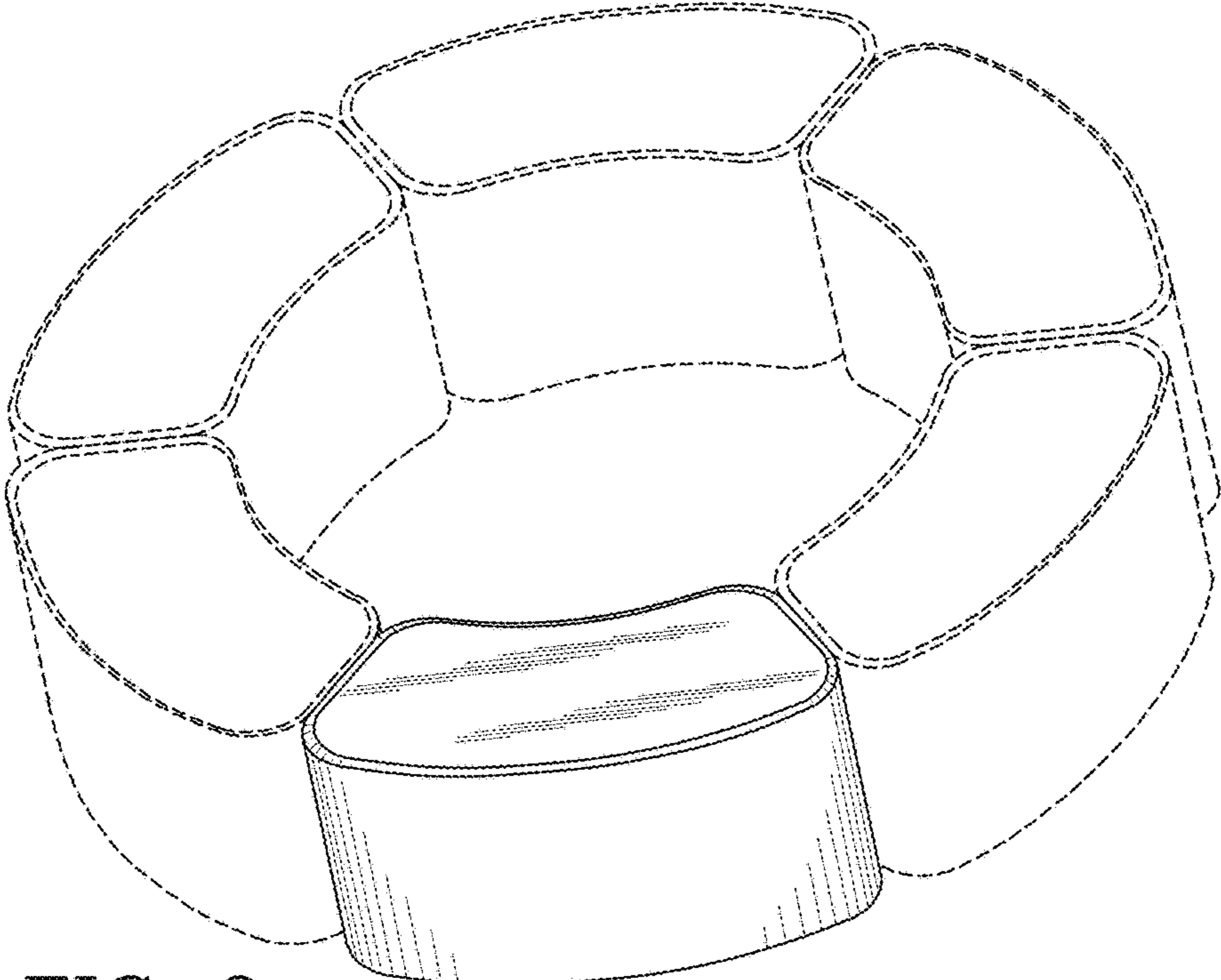


FIG. 8

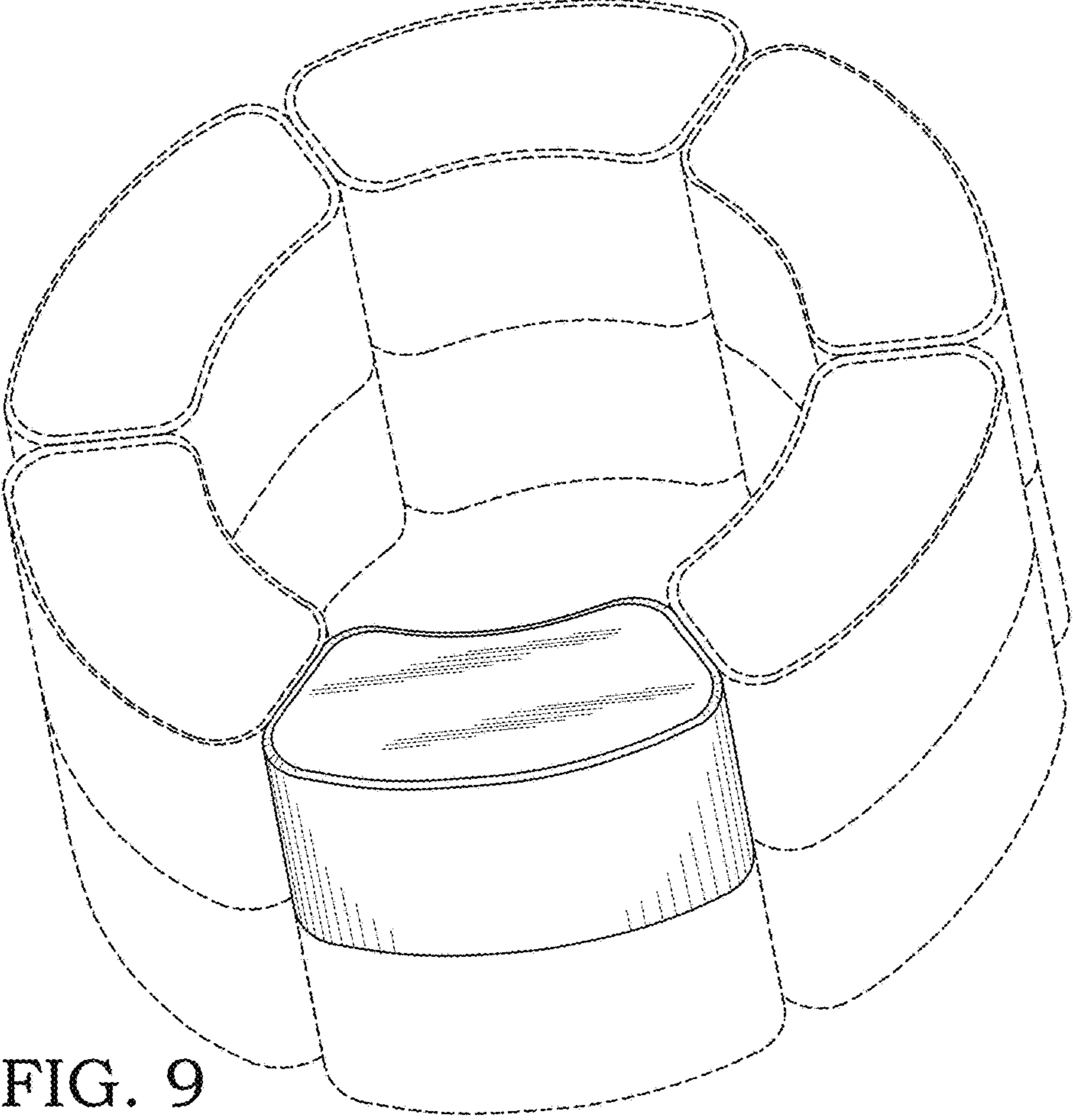


FIG. 9

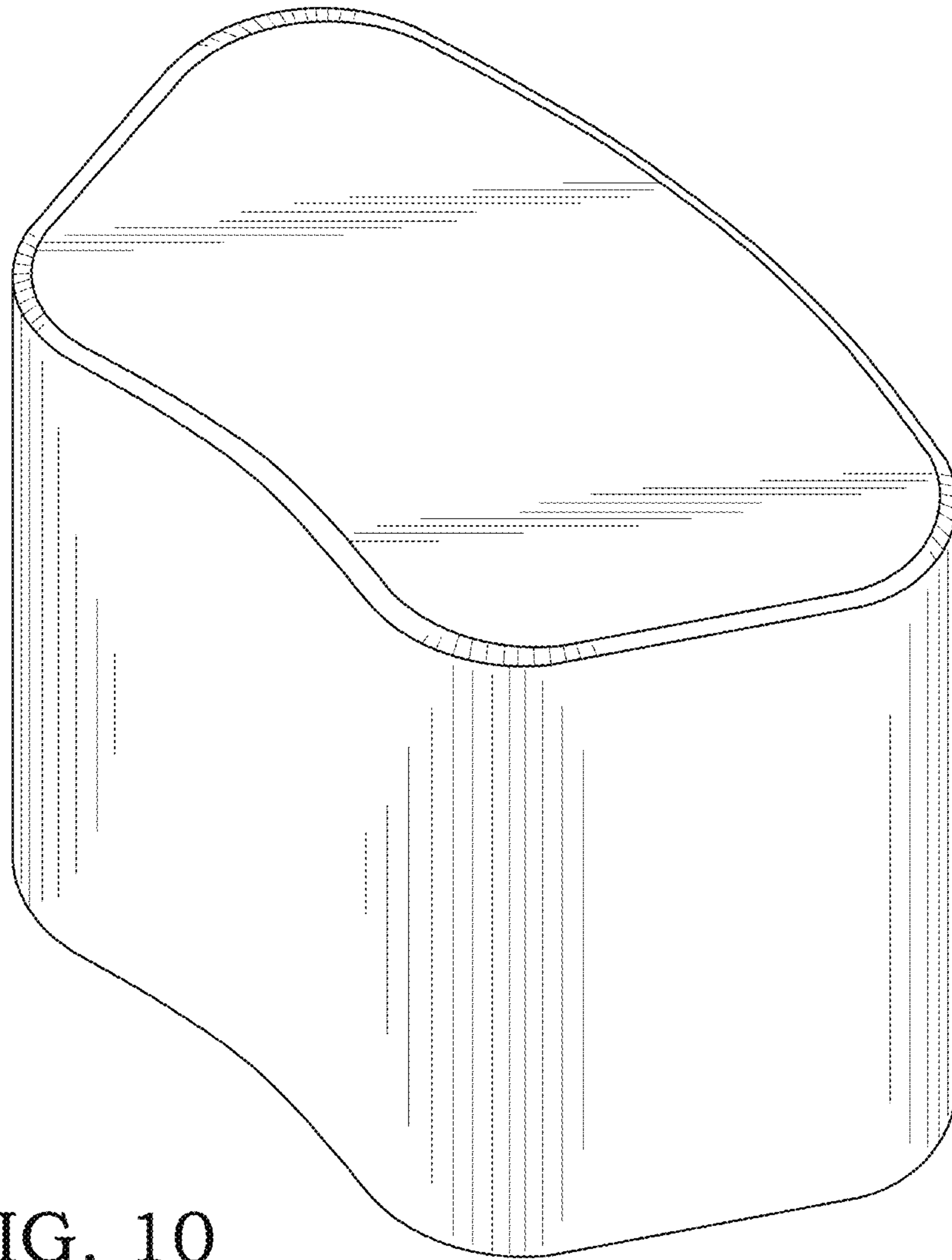


FIG. 10

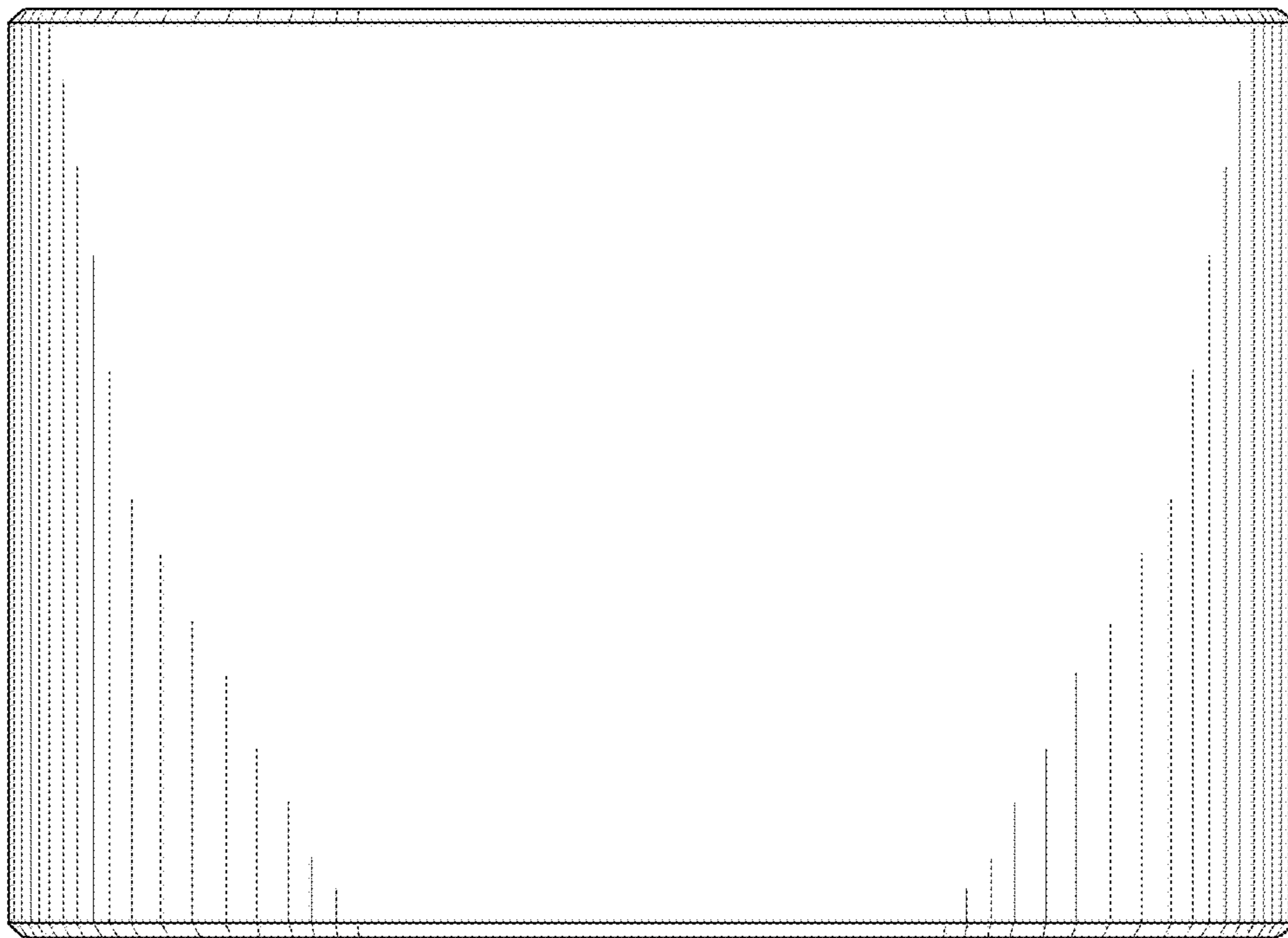


FIG. 11

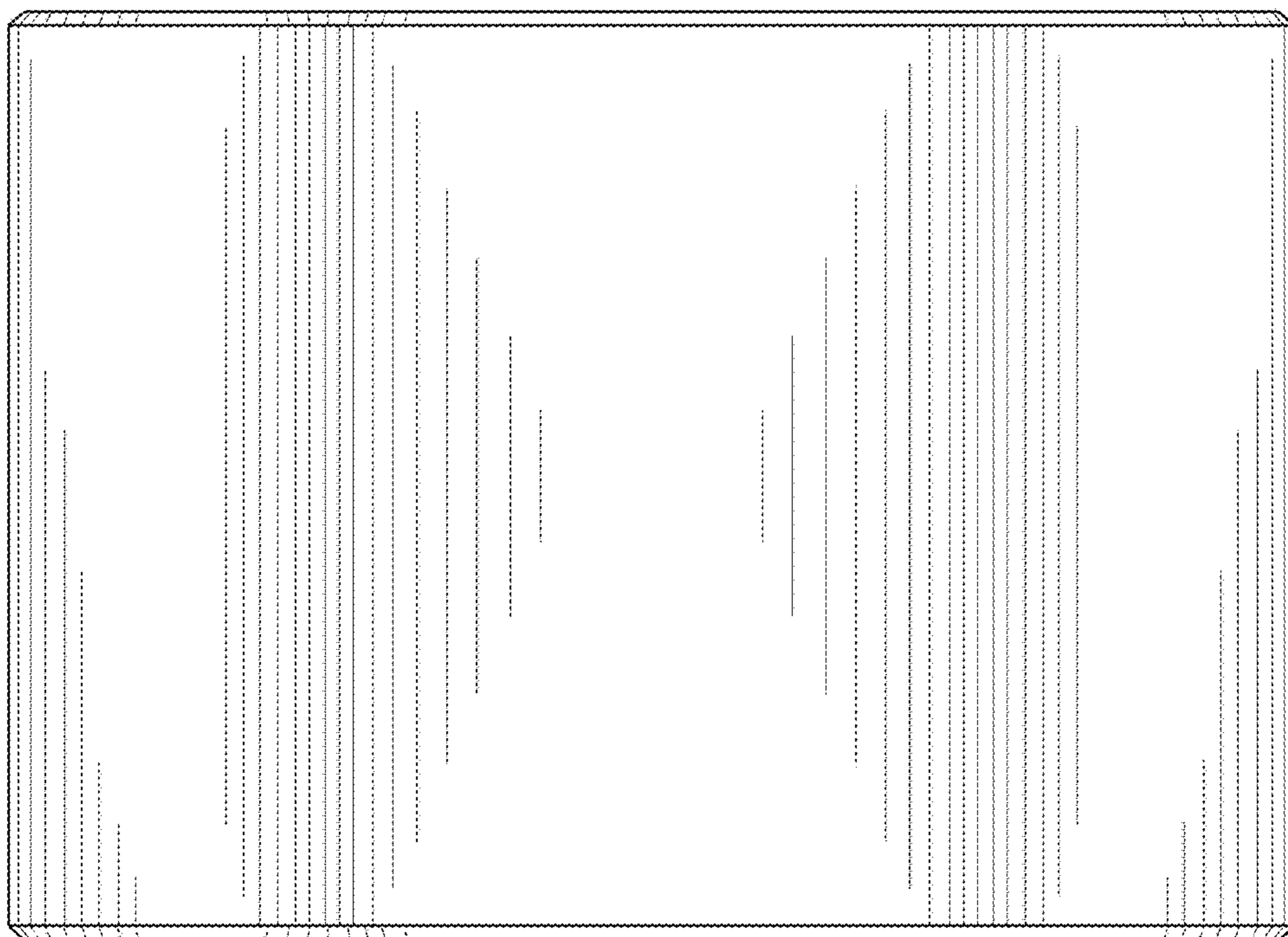


FIG. 12

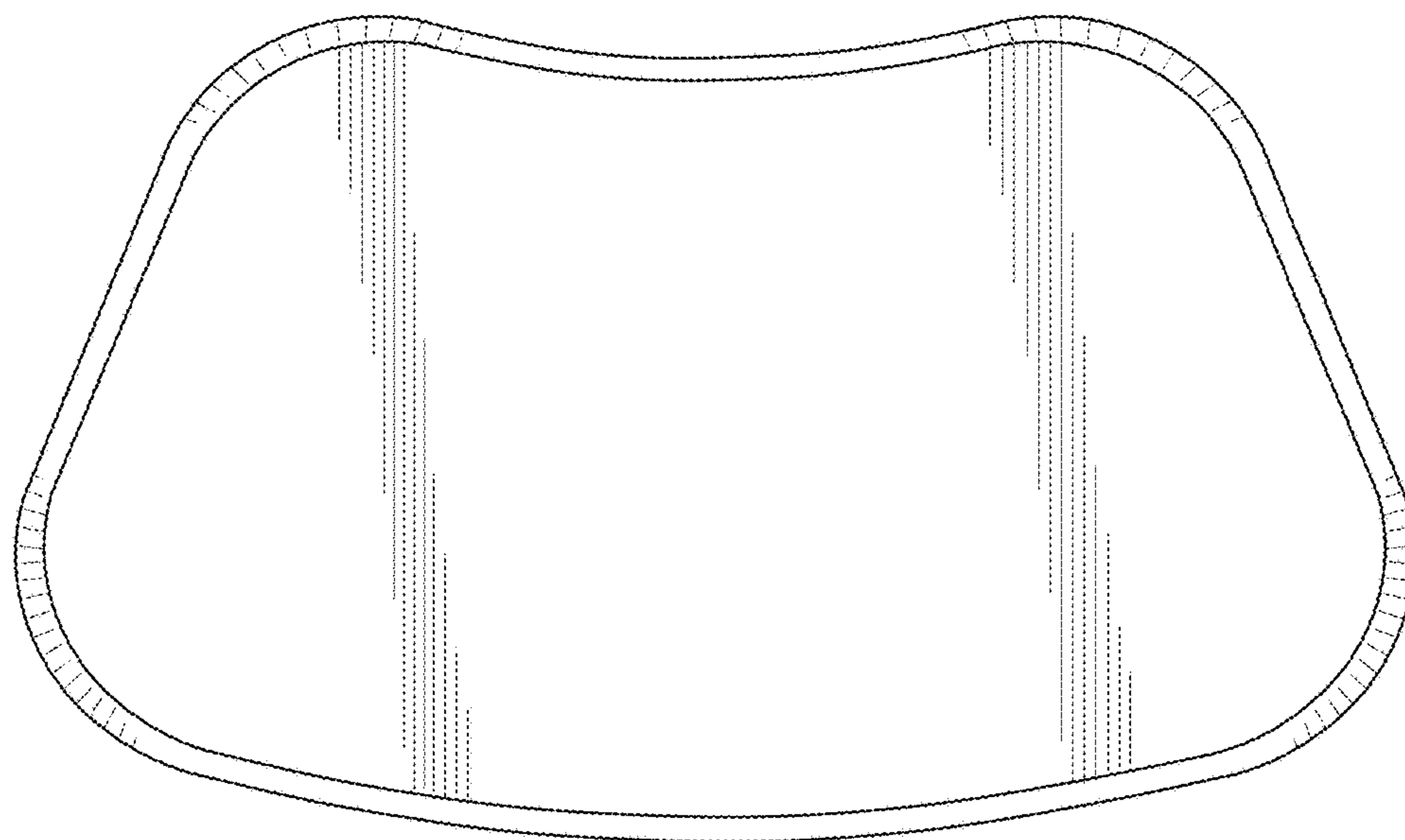


FIG. 13

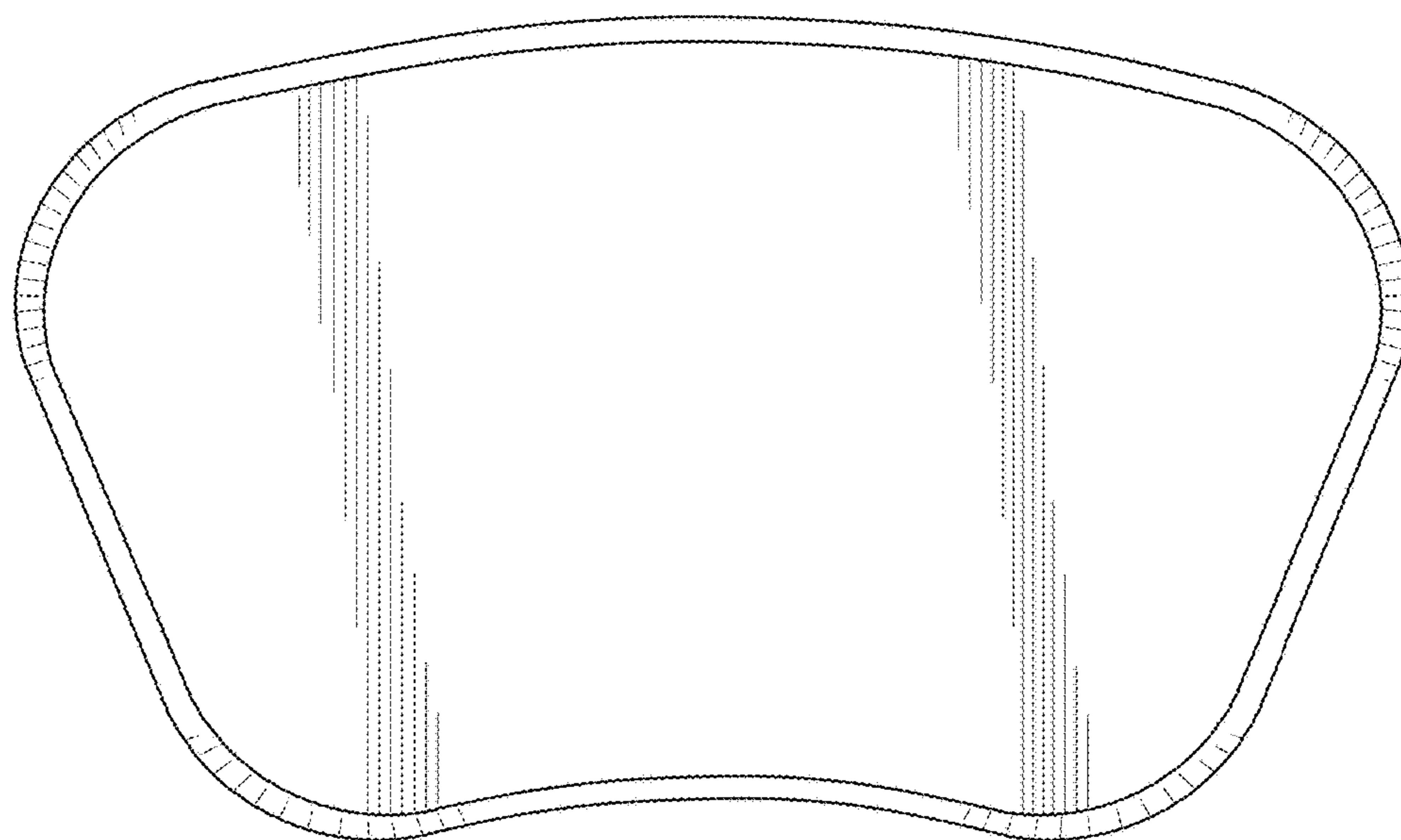


FIG. 14

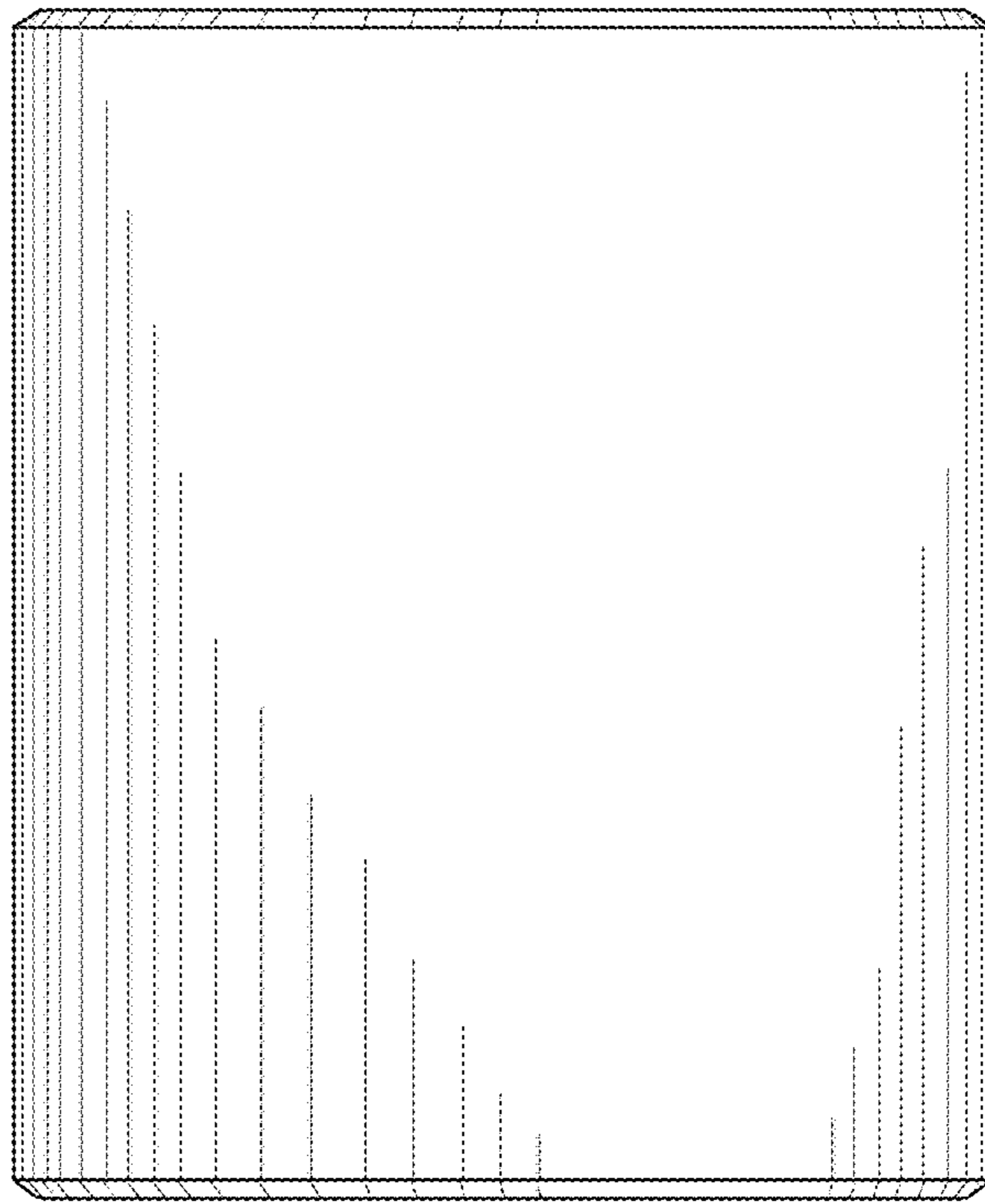


FIG. 15

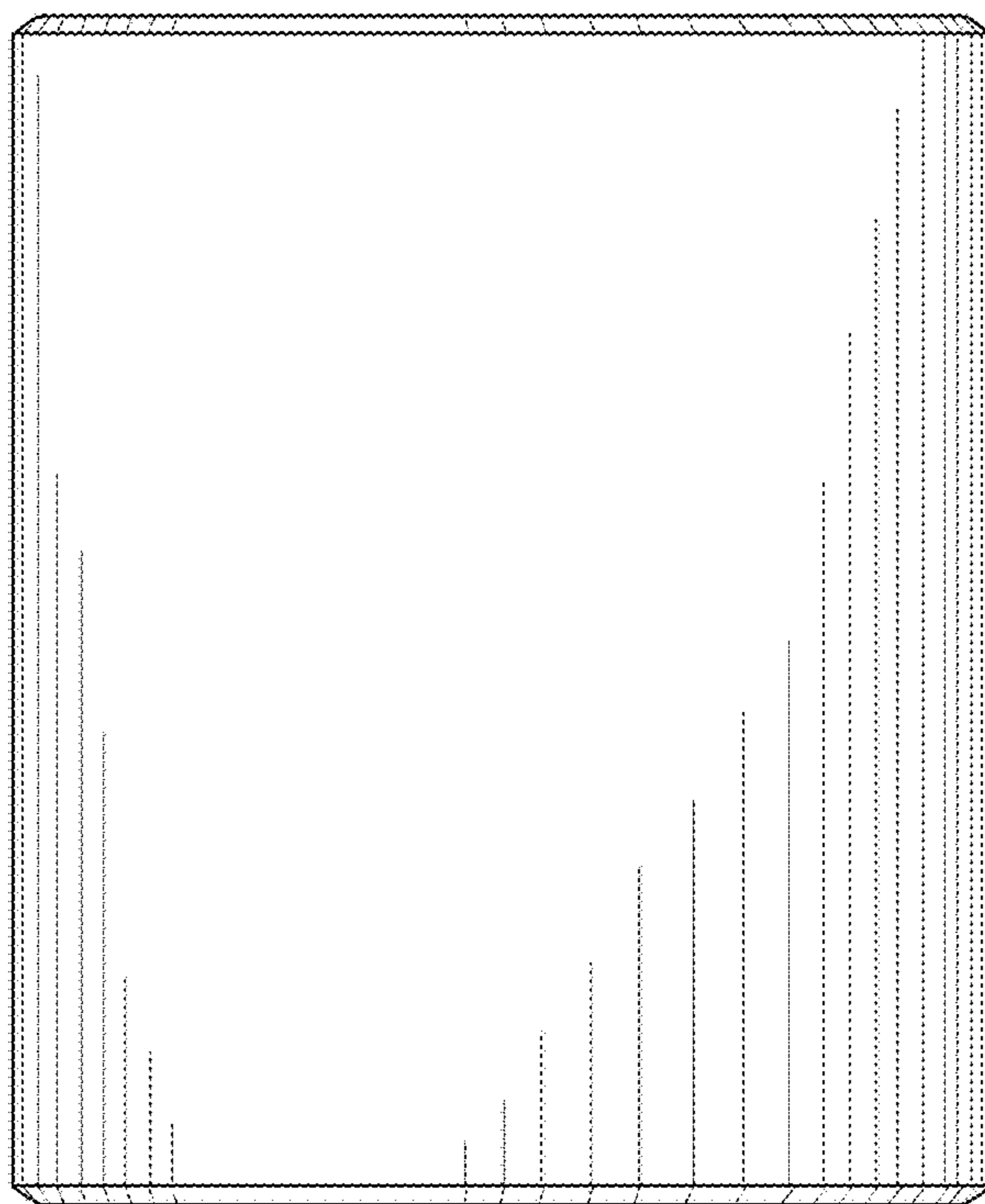


FIG. 16

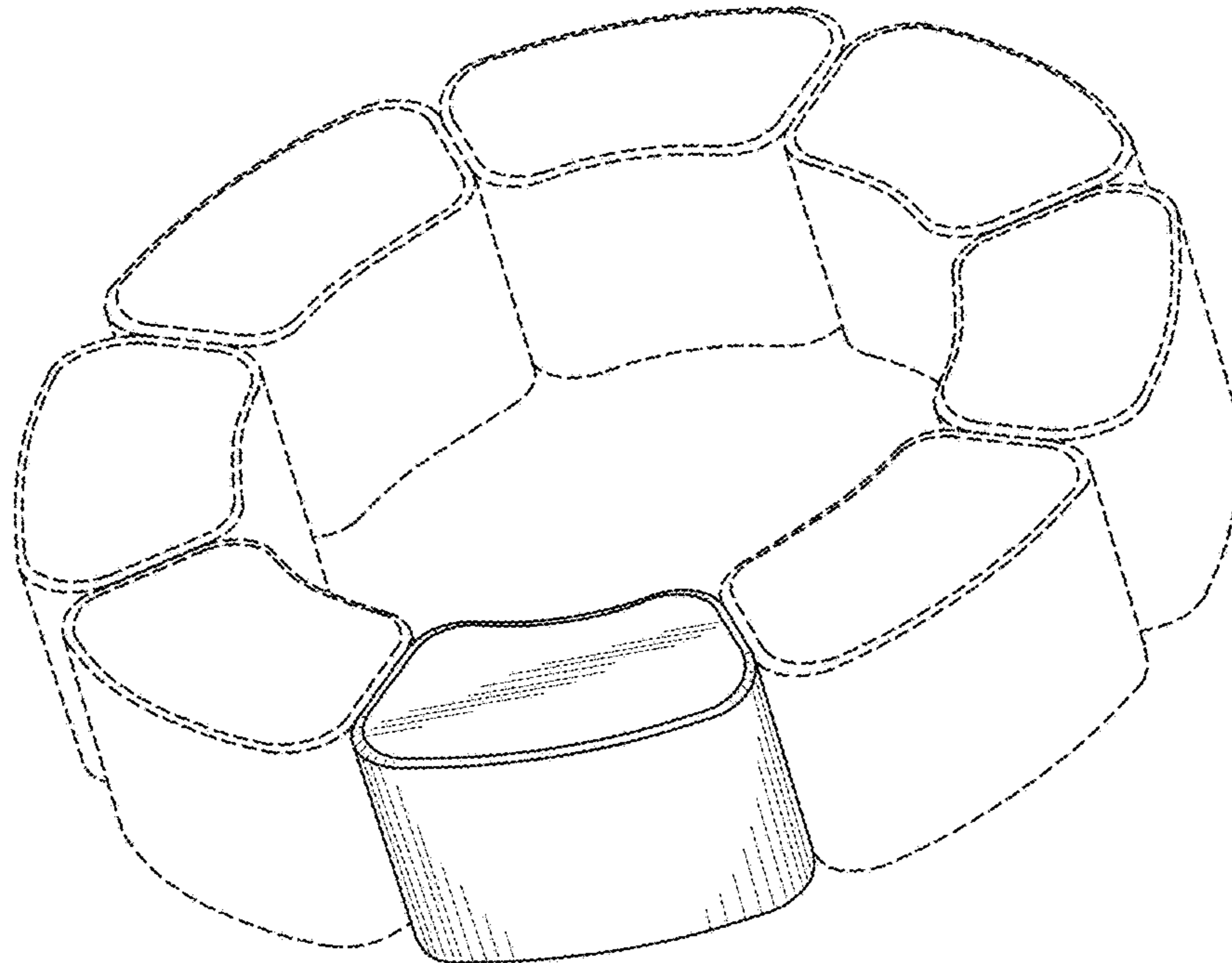


FIG. 17

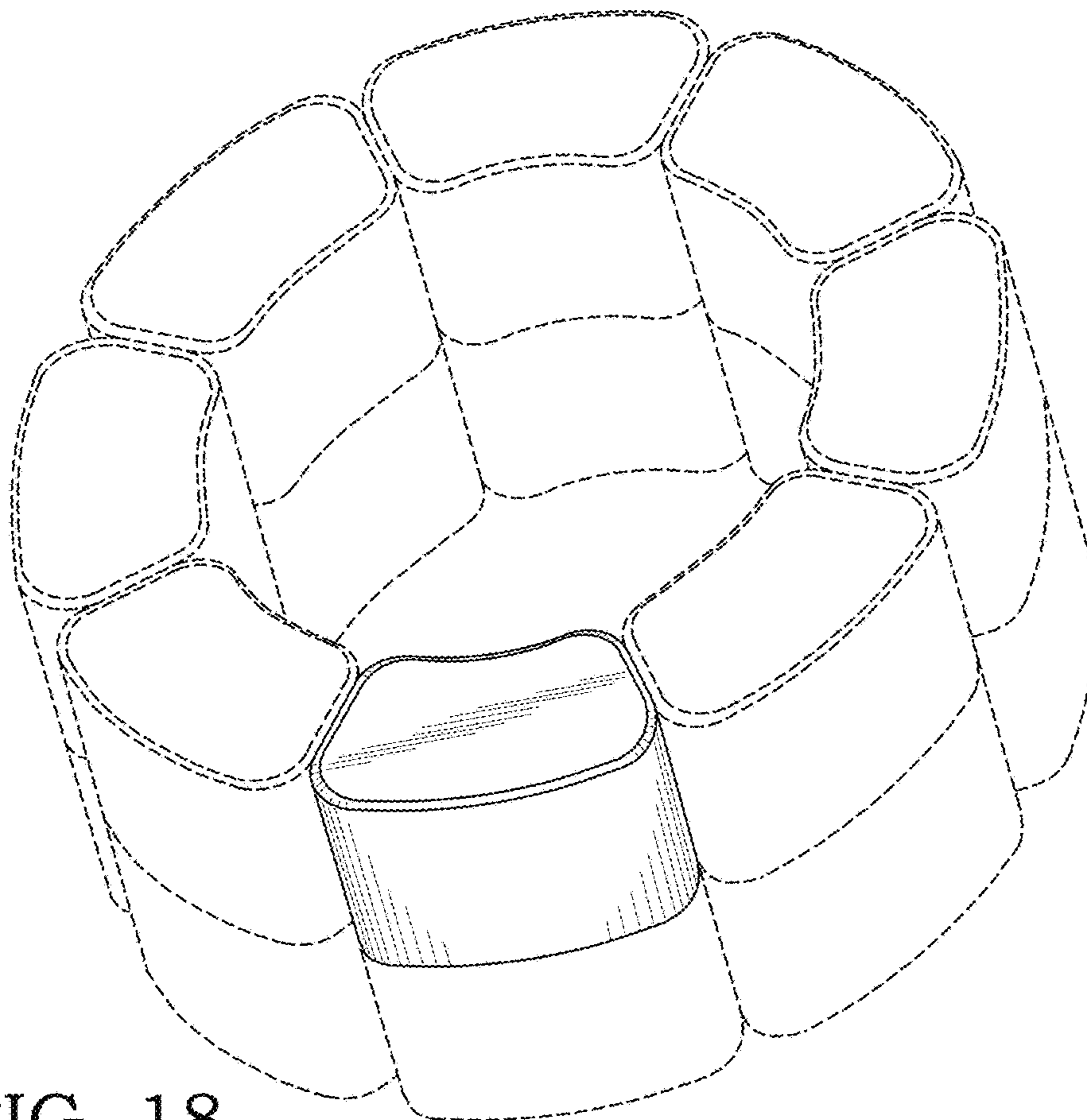


FIG. 18