



US00D826856S

(12) **United States Design Patent**
Schreiber et al.

(10) **Patent No.: US D826,856 S**

(45) **Date of Patent: ** Aug. 28, 2018**

(54) **ELECTRIC DRIVE UNIT**

(71) Applicant: **MELLOW BOARDS GMBH,**
Hamburg (DE)

(72) Inventors: **Christoph Philipp Schreiber,** Dresden
(DE); **Fabian Heinz Otto Neumüller,**
Uttenreuth (DE); **Andi Kern,** Hamburg
(DE)

(**) Term: **15 Years**

(21) Appl. No.: **35/501,816**

(22) Filed: **Sep. 7, 2016**

(80) **Hague Agreement Data**

Int. Filing Date: **Sep. 7, 2016**
Int. Reg. No.: **DM/093029**
Int. Reg. Date: **Sep. 7, 2016**
Int. Reg. Pub. Date: **Oct. 28, 2016**

(30) **Foreign Application Priority Data**

Apr. 21, 2016 (EM) 003077387

(51) **LOC (11) Cl.** **13-01**

(52) **U.S. Cl.**
USPC **D13/112**

(58) **Field of Classification Search**

USPC D13/112, 133; D15/149, 148; D21/504;
320/112; 340/384.2; 307/10.1; 335/132
CPC H01H 3/503; H01H 49/00; H01M 2/1016;
A01M 29/18

See application file for complete search history.

(56) **References Cited**

U.S. PATENT DOCUMENTS

4,376,896 A * 3/1983 Takeda H01H 3/503
307/10.1
5,347,250 A * 9/1994 Muske H01H 49/00
335/132

5,606,305 A * 2/1997 Jan A01M 29/18
340/384.2
8,054,041 B2 * 11/2011 Kim H01M 2/1016
320/112
D786,796 S * 5/2017 Frye D13/133
D794,561 S * 8/2017 Schroedel D13/112
D795,297 S * 8/2017 Luft D15/149

(Continued)

Primary Examiner — Rhea Shields

(57) **CLAIM**

The ornamental design for an electric drive unit, as shown and described.

DESCRIPTION

The file of this patent contains at least one drawing/photograph executed in color. Copies of this patent with color drawing(s)/photograph(s) will be provided by the Office upon request and payment of the necessary fee.

2.-3. Electric drive unit

Figure 2.1 is a top view of an electric drive unit showing the claimed design;

Figure 2.2 is a perspective view thereof;

Figure 2.3 is a bottom view thereof;

Figure 2.4 is a side view thereof;

Figure 2.5 is a side view thereof;

Figure 2.6 is a front view thereof;

Figure 2.7 is a rear view thereof;

Figure 3.1 is a top view of an electric drive unit showing the claimed design;

Figure 3.2 is a perspective view thereof;

Figure 3.3 is a bottom view thereof;

Figure 3.4 is a side view thereof;

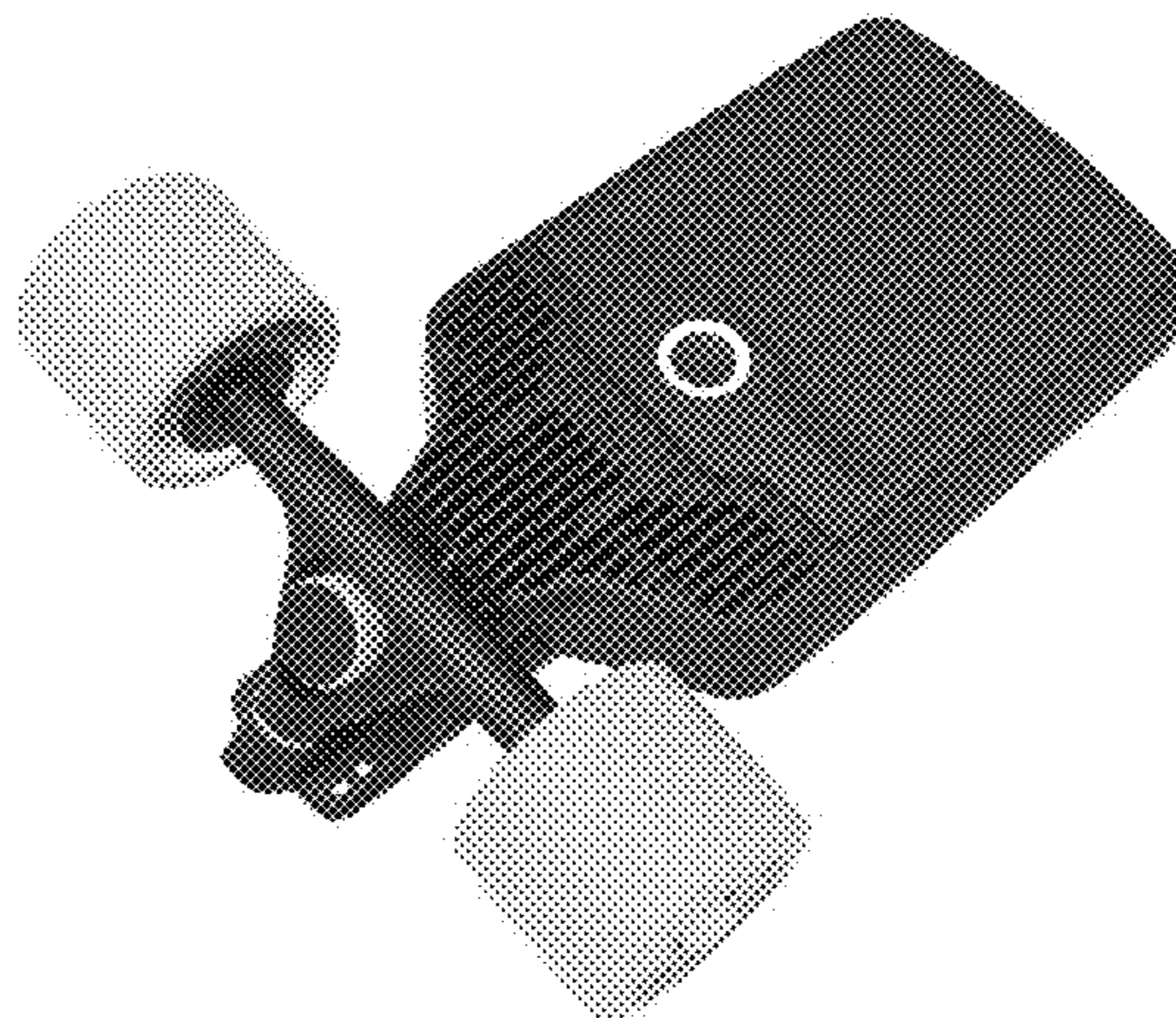
Figure 3.5 is a side view thereof;

Figure 3.6 is a front view thereof; and

Figure 3.7 is a rear view thereof.

The dot-dash lines in the figures and the area(s) within the dot-dash lines show portions of the electric drive unit that form no part of the claimed design.

1 Claim, 14 Drawing Sheets
(14 of 14 Drawing Sheet(s) Filed in Color)



(56)

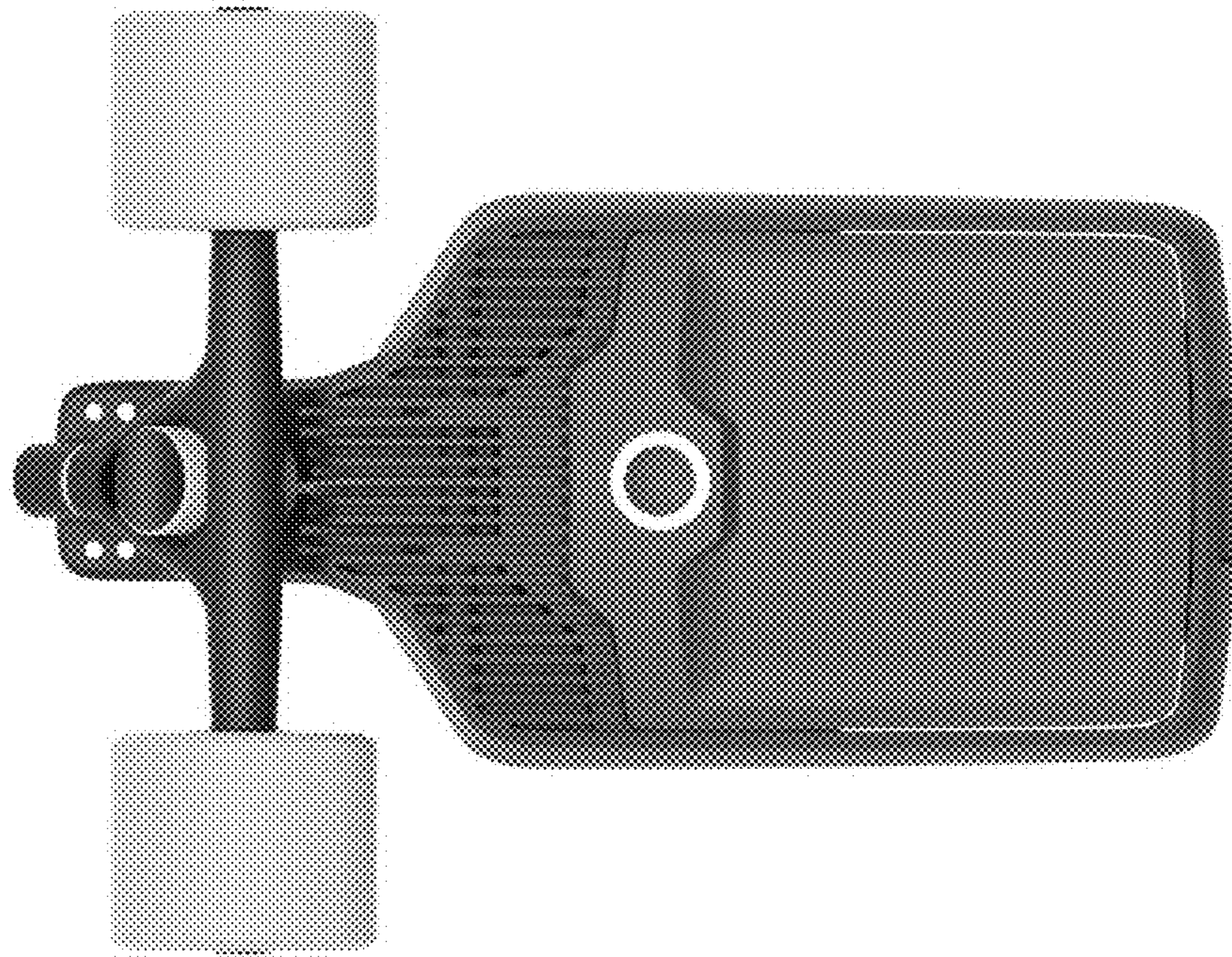
References Cited

U.S. PATENT DOCUMENTS

D795,935 S * 8/2017 Jorgensen D15/148
D797,204 S * 9/2017 Liu D21/504

* cited by examiner

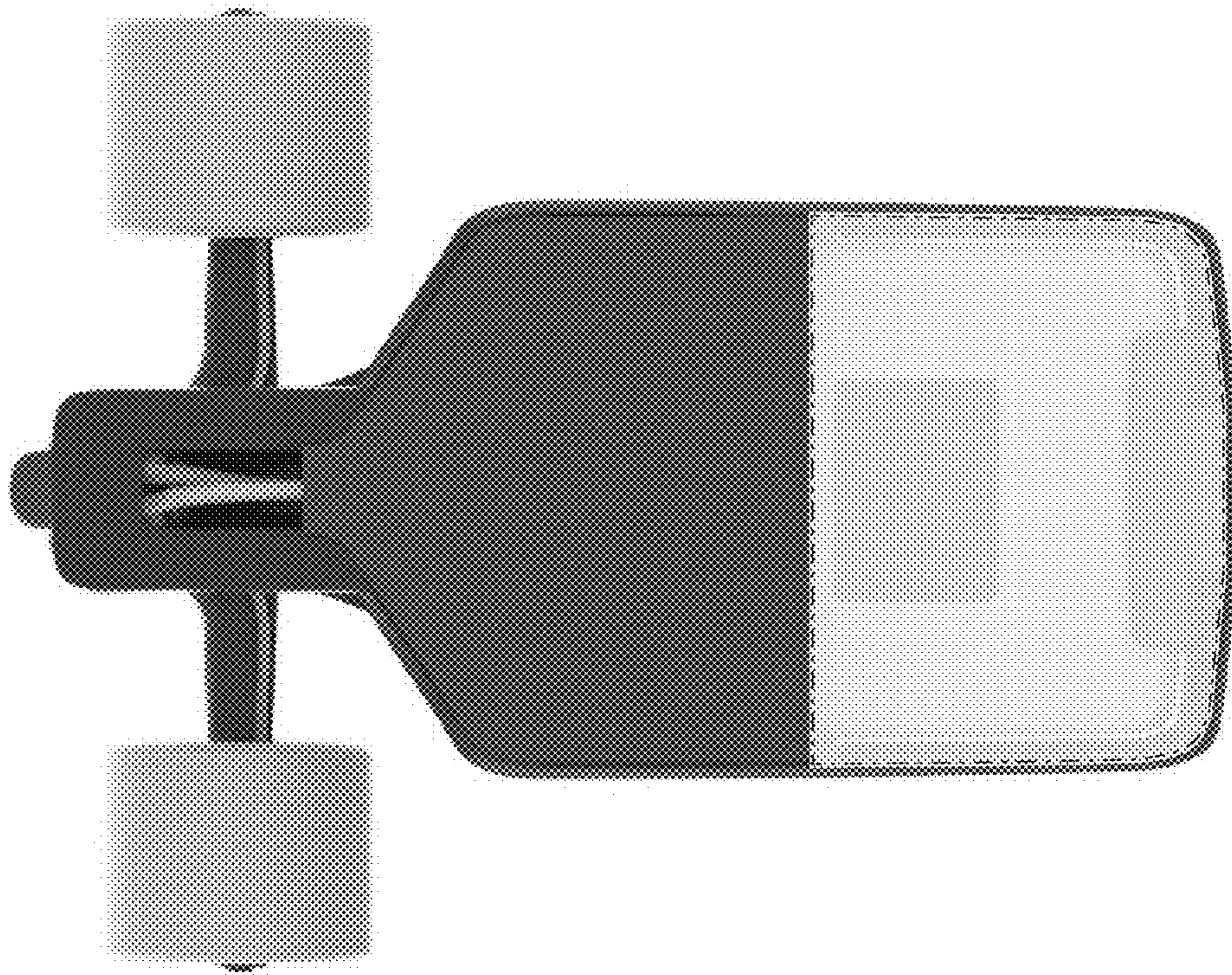
2.1



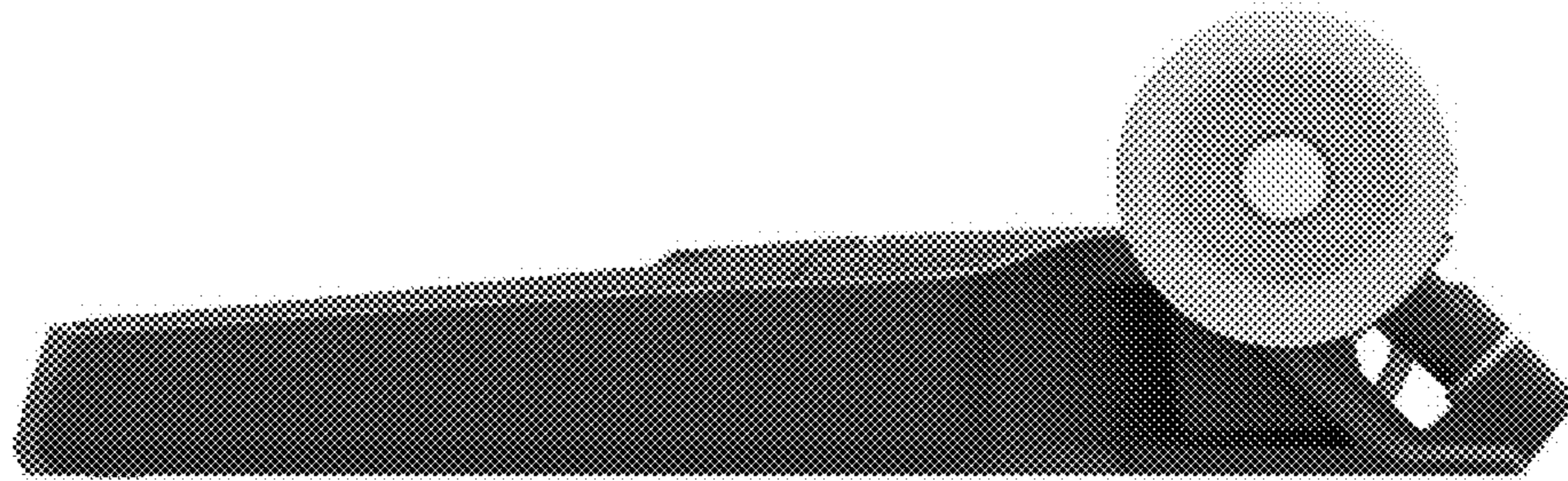
2.2



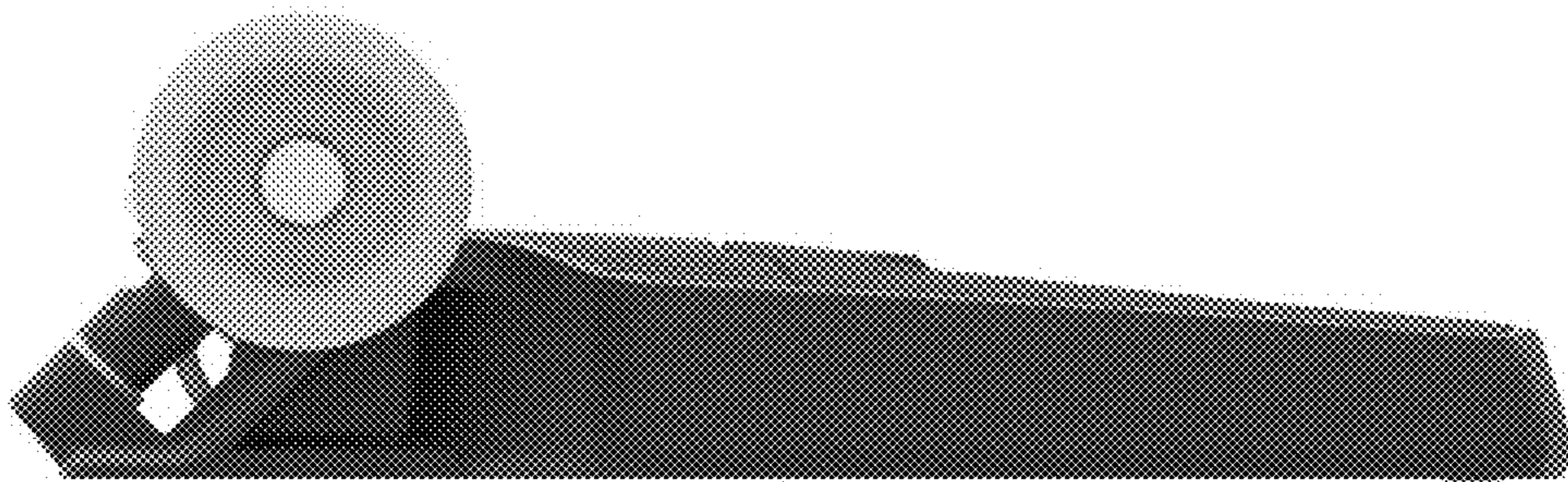
2.3



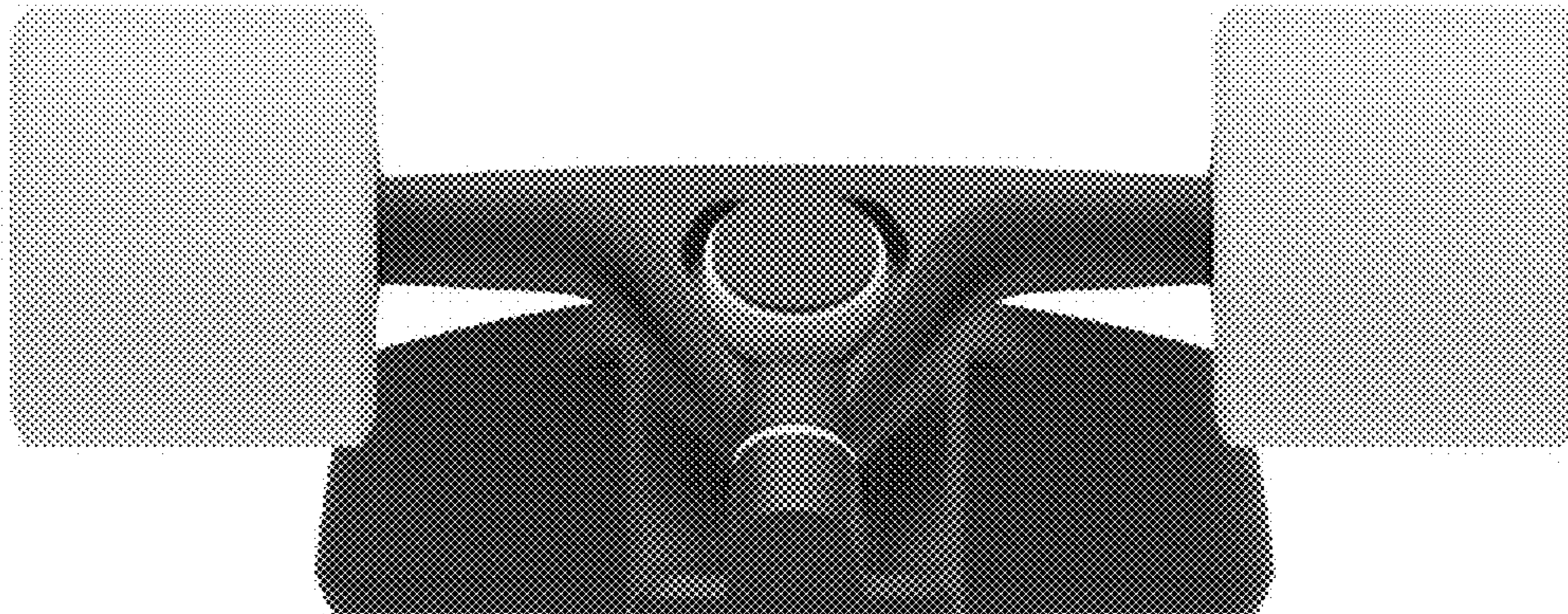
2.4

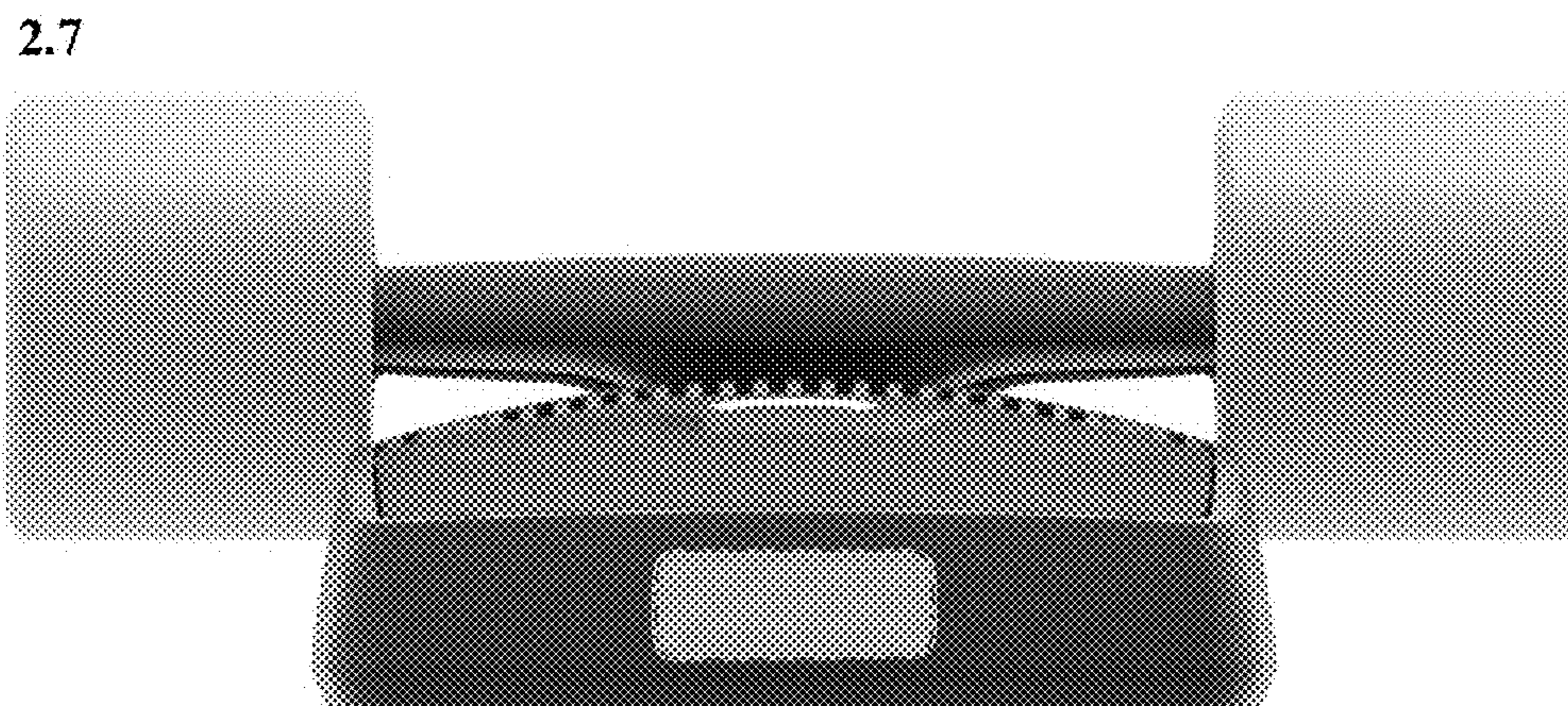


2.5

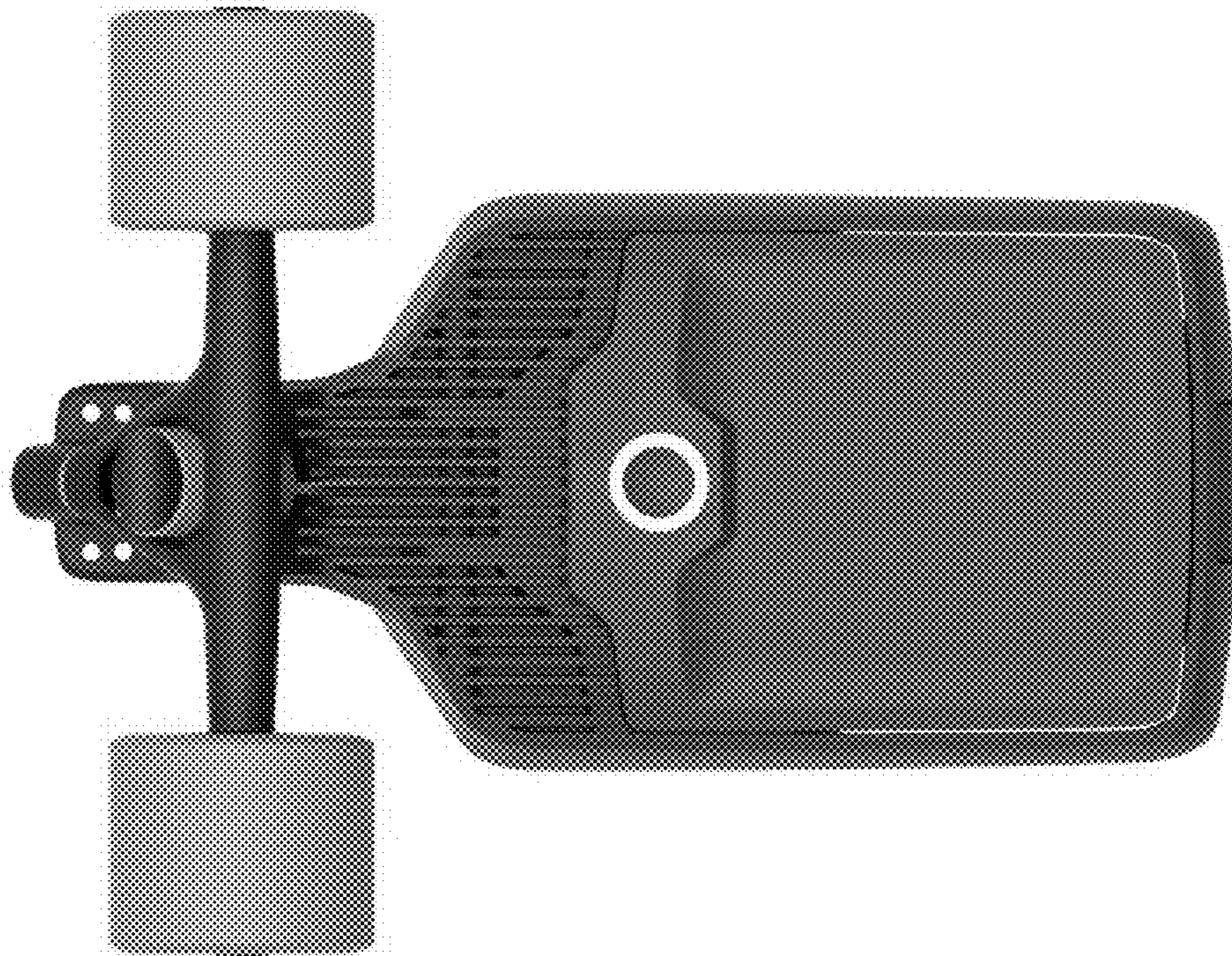


2.6





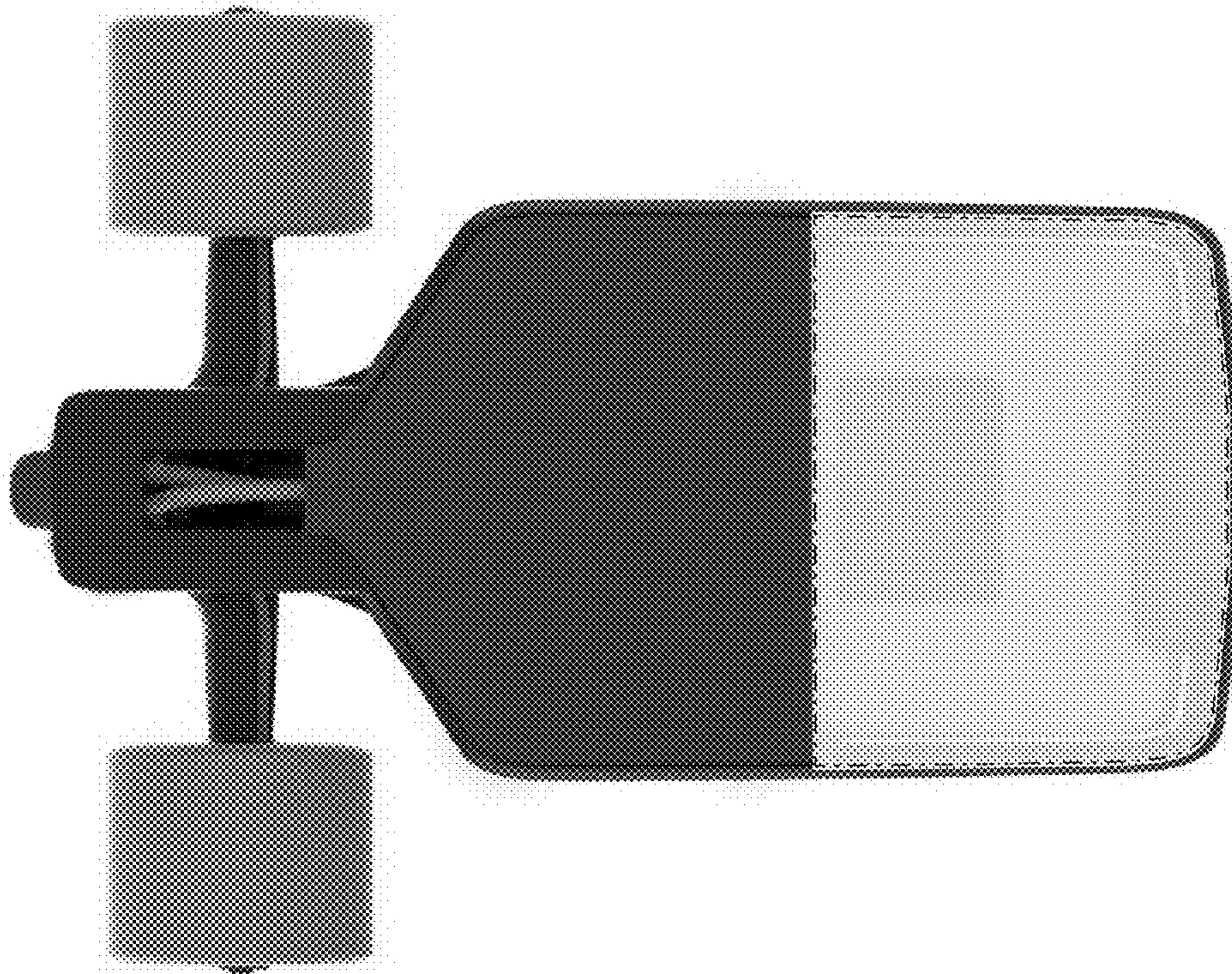
3.1



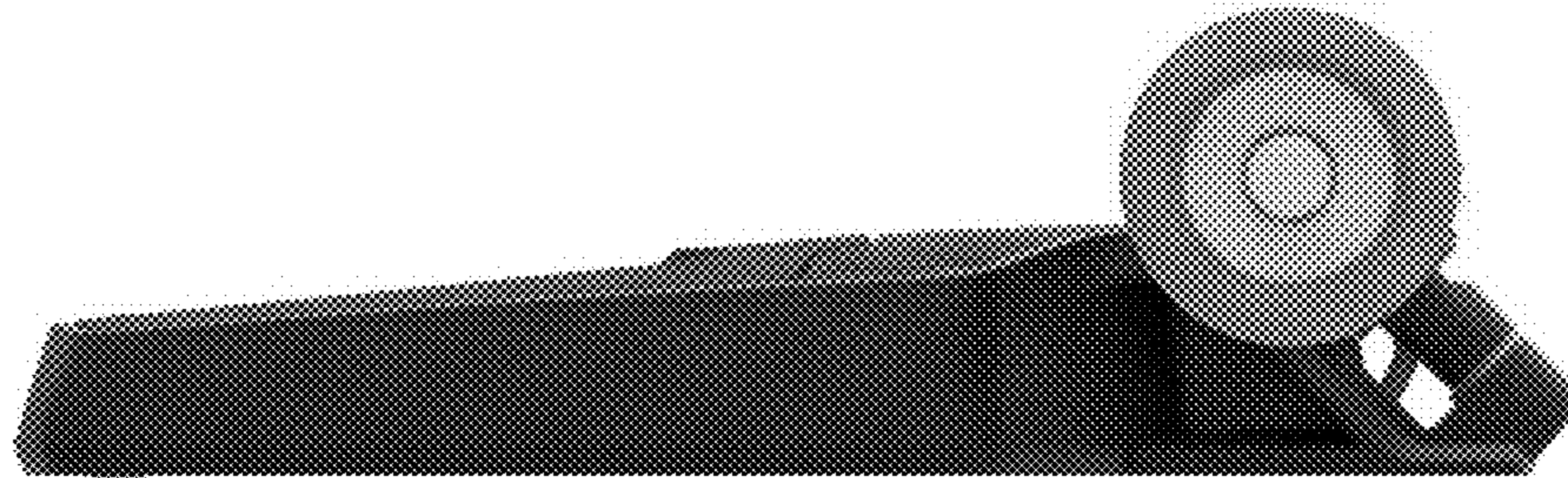
3.2



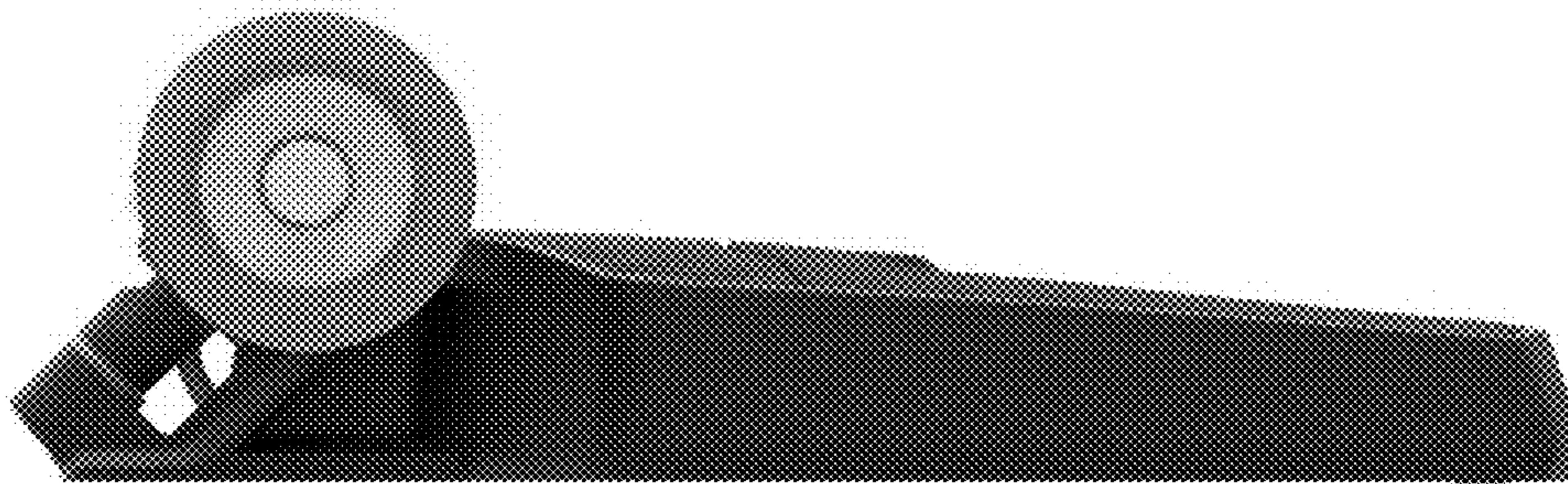
3.3



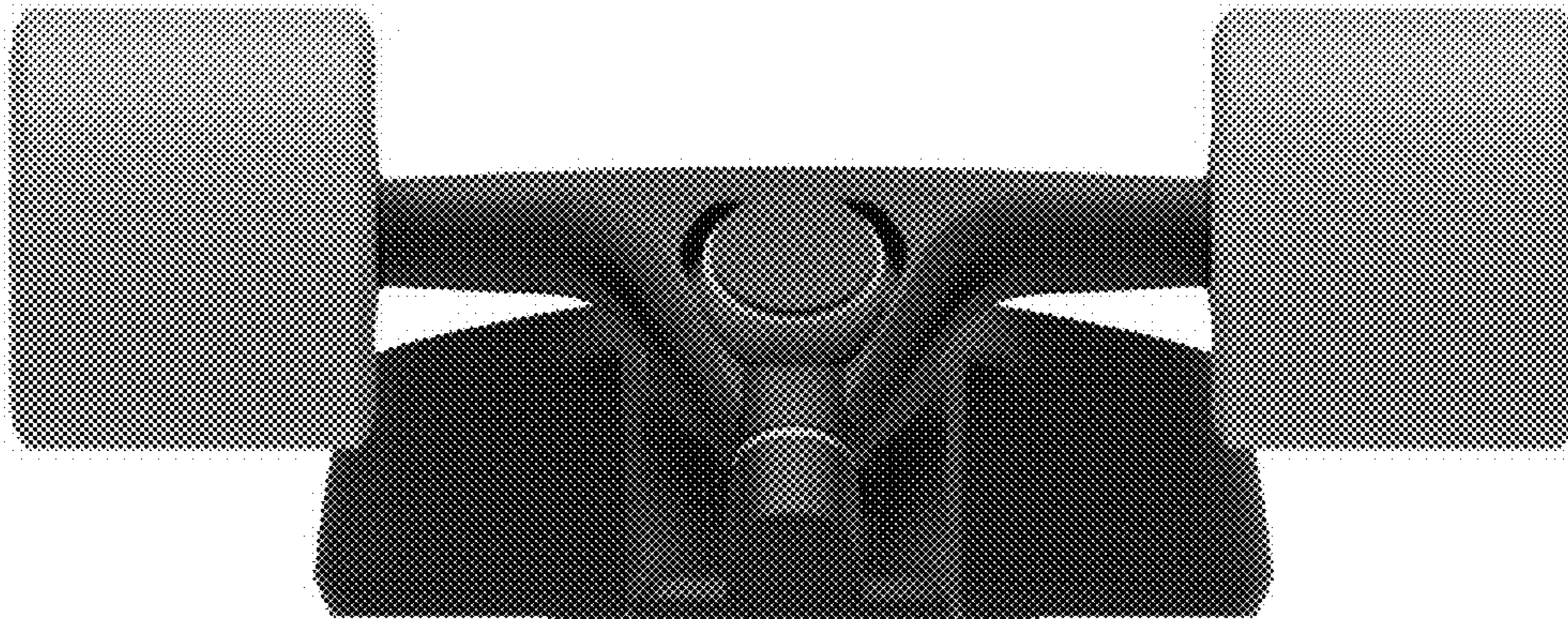
3.4



3.5



3.6



3.7

