



US00D826855S

(12) **United States Design Patent**  
**Xu**

(10) **Patent No.:** **US D826,855 S**

(45) **Date of Patent:** **\*\* Aug. 28, 2018**

(54) **POWER SOURCE STORAGE AND PROTECTION BOX**

(71) Applicant: **ShenZhen ORICO Technologies Co., Ltd**, Shenzhen (CN)

(72) Inventor: **Yeyou Xu**, Shenzhen (CN)

(\*\*) Term: **15 Years**

(21) Appl. No.: **29/600,353**

(22) Filed: **Apr. 11, 2017**

(51) **LOC (11) Cl.** ..... **13-03**

(52) **U.S. Cl.**  
USPC ..... **D13/110**

(58) **Field of Classification Search**

USPC ..... D13/101, 102, 103, 104, 105, 106, 107,  
D13/108, 109, 110, 118, 119, 184, 199;  
D14/432, 433, 435, 435.1, 436, 437, 438  
CPC ..... H02M 5/00; H02M 5/02; H02M 5/04;  
H02M 5/32; H02M 5/38; H02M 5/40;  
H02M 5/42; H02M 5/46; H02M 5/48;  
H02M 7/00; H02M 7/02; H02M 7/30;  
H02M 7/42; H02M 7/44; H02M 7/54;  
H02M 7/68; H02M 7/86  
See application file for complete search history.

(56) **References Cited**

**U.S. PATENT DOCUMENTS**

D411,201 S \* 6/1999 Munoz ..... D13/184  
D657,310 S \* 4/2012 Fahrendorff ..... D13/110

D658,581 S \* 5/2012 Reade ..... D13/110  
D733,051 S \* 6/2015 Wang ..... D13/103  
D736,159 S \* 8/2015 Byrne ..... D13/139.4  
D767,486 S \* 9/2016 Yu ..... D13/103

\* cited by examiner

*Primary Examiner* — Daniel Bui

(74) *Attorney, Agent, or Firm* — Wayne & Ken, LLC;  
Tony Hom

(57) **CLAIM**

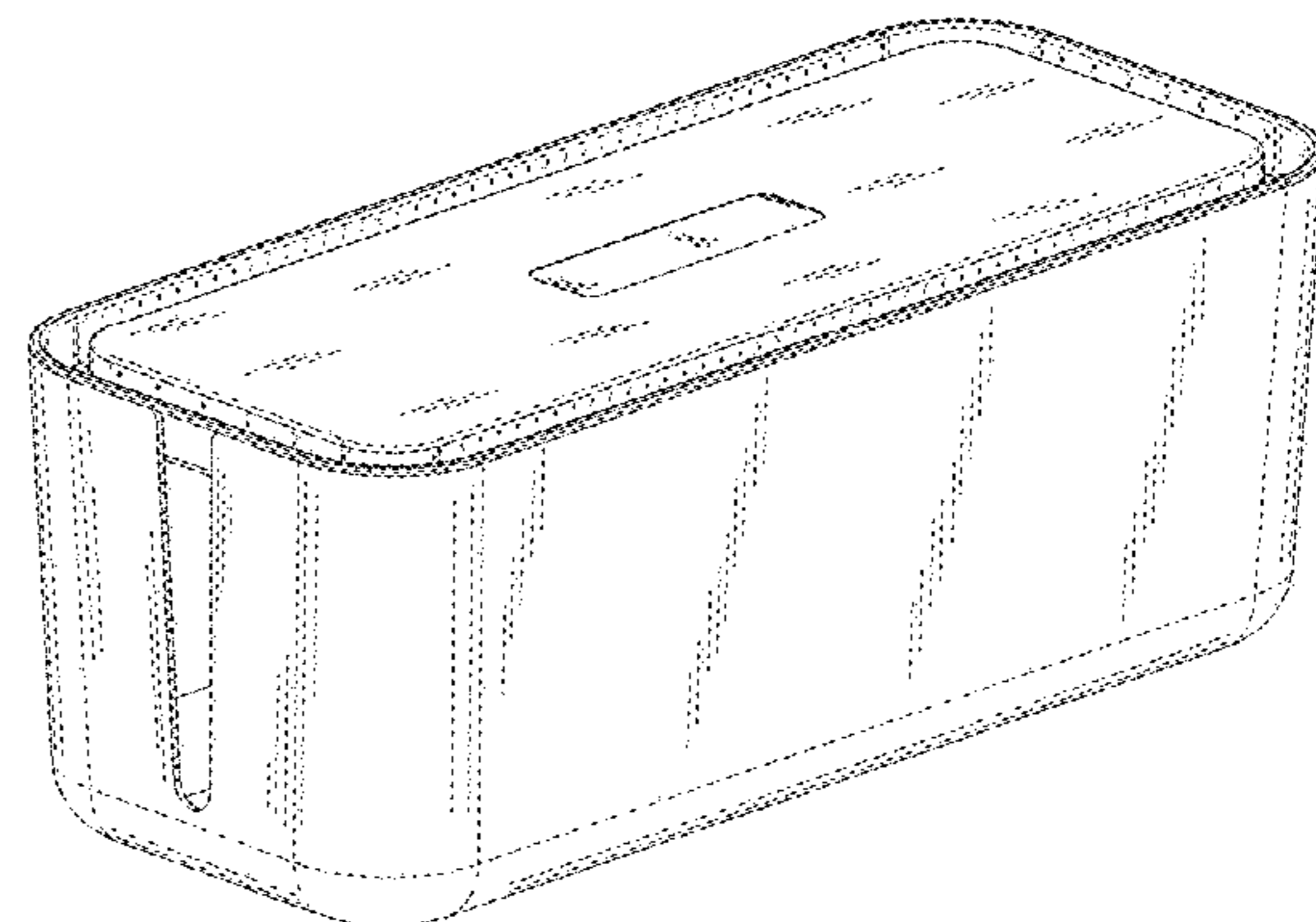
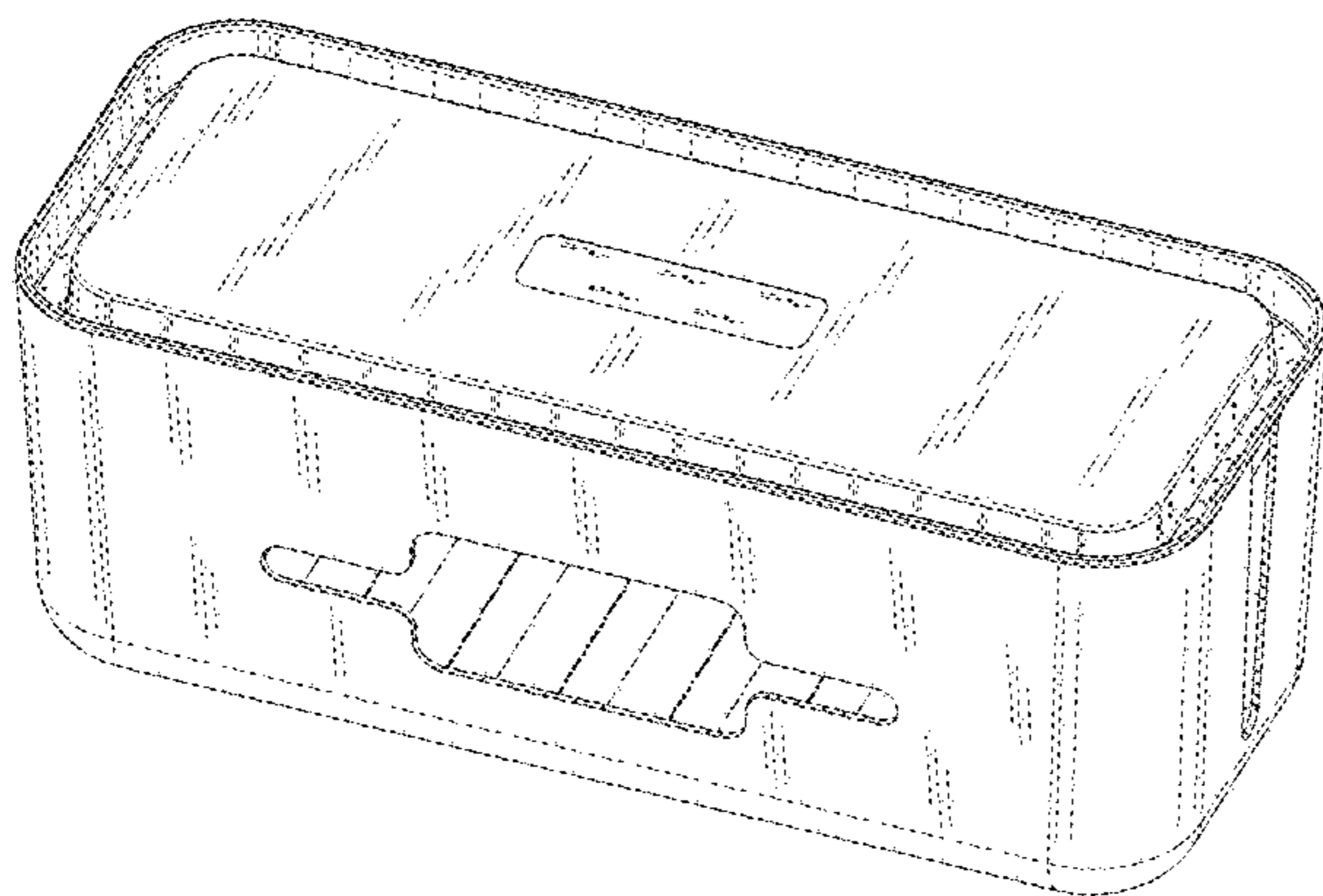
The ornamental design for a power source storage and protection box, as shown and described.

**DESCRIPTION**

FIG. 1 is a perspective view of a power source storage and protection box showing my new design; FIG. 2 is another perspective view thereof; FIG. 3 is a front elevational view thereof; FIG. 4 is a back elevational view thereof; FIG. 5 is a left elevational view thereof; FIG. 6 is a right elevational view thereof; FIG. 7 is a top plan view thereof; and, FIG. 8 is a bottom view thereof.

The broken lines in the drawing illustrate environmental structure that forms no part of the claimed design.

**1 Claim, 8 Drawing Sheets**



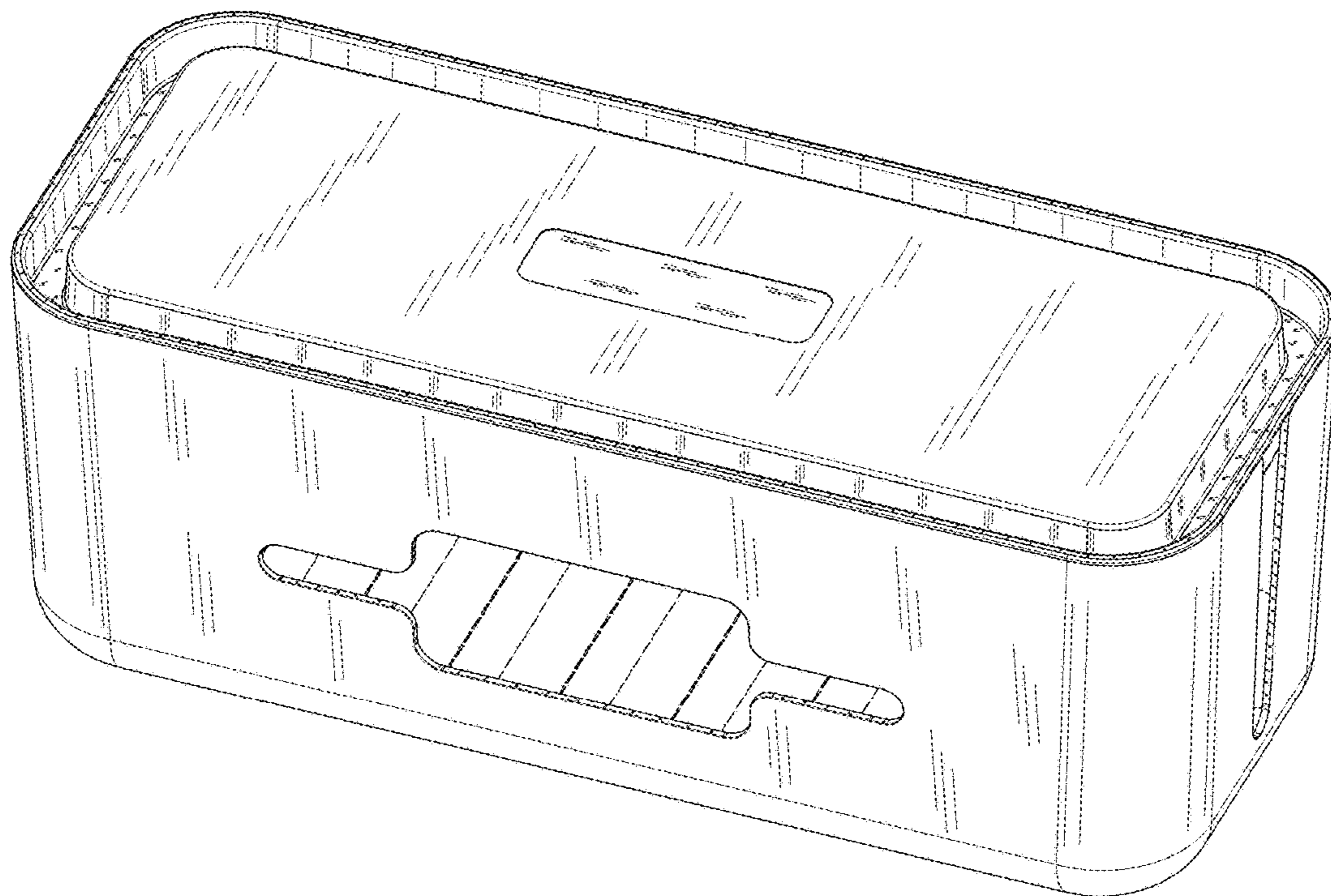


FIG. 1

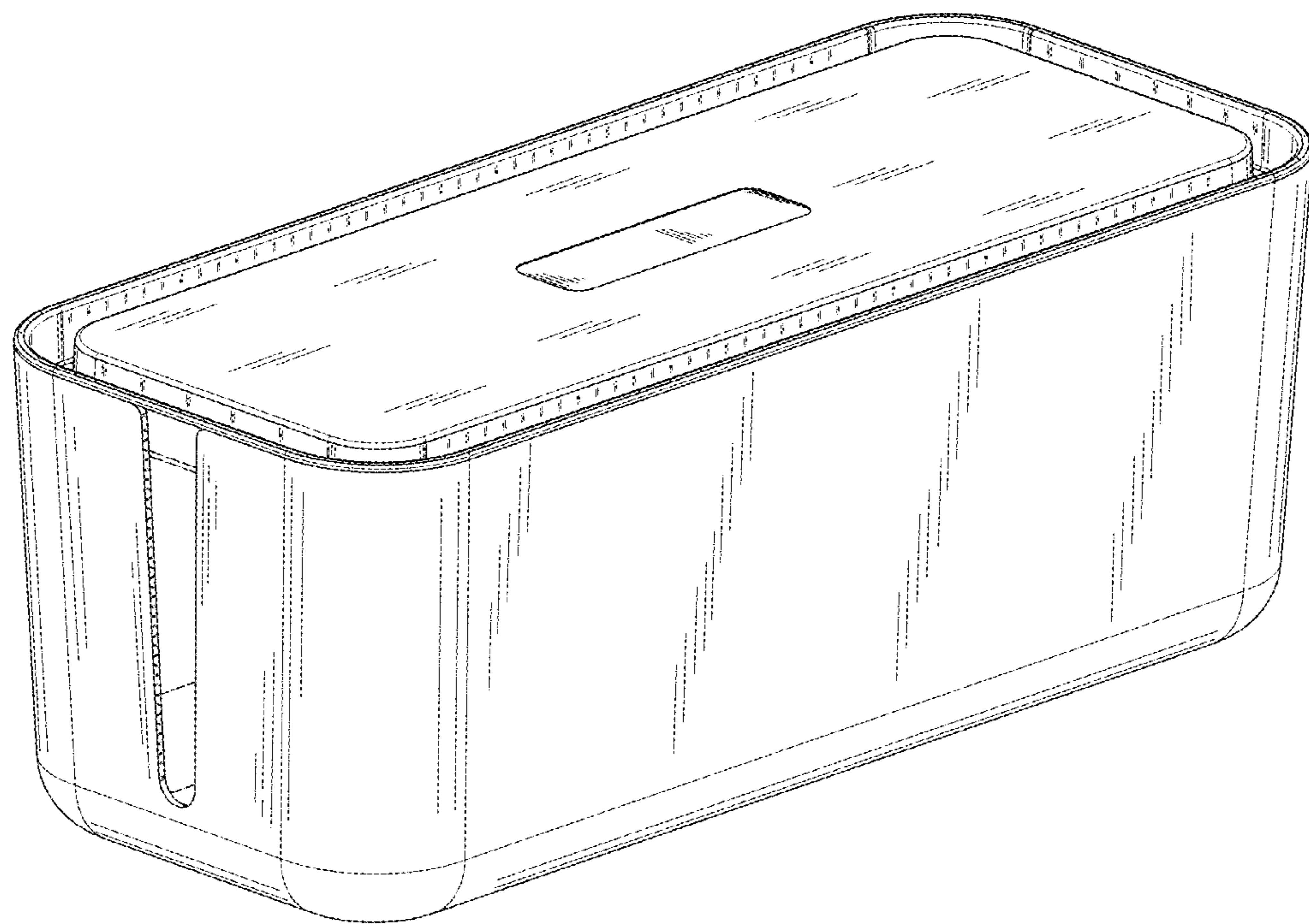


FIG. 2

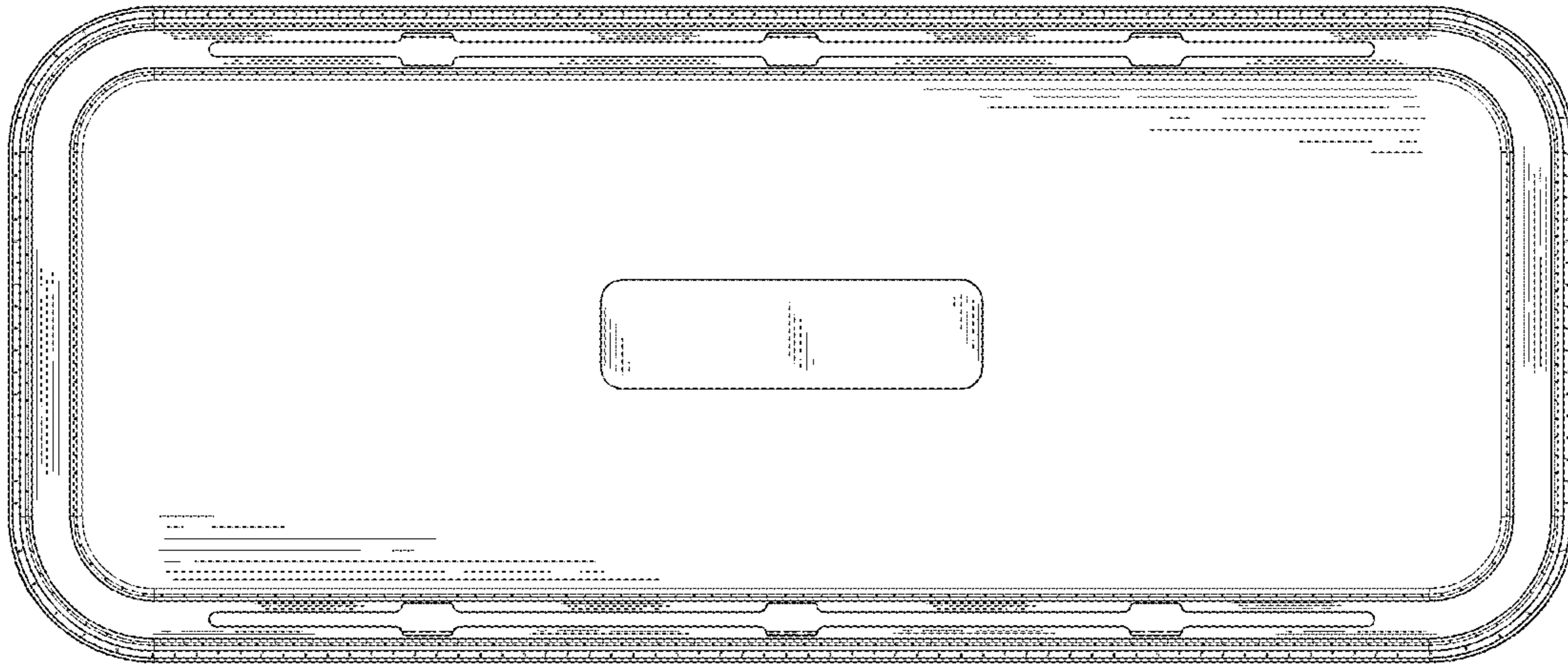


FIG. 3



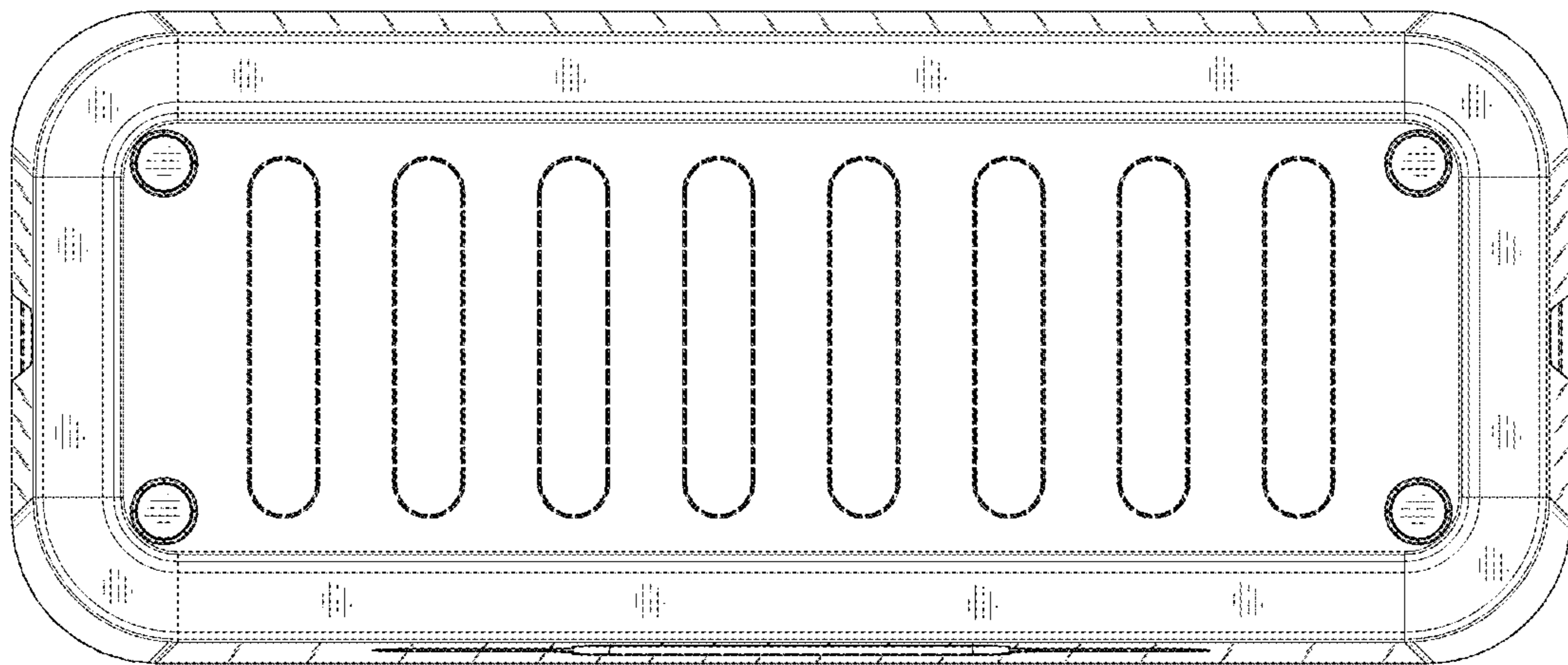


FIG. 4

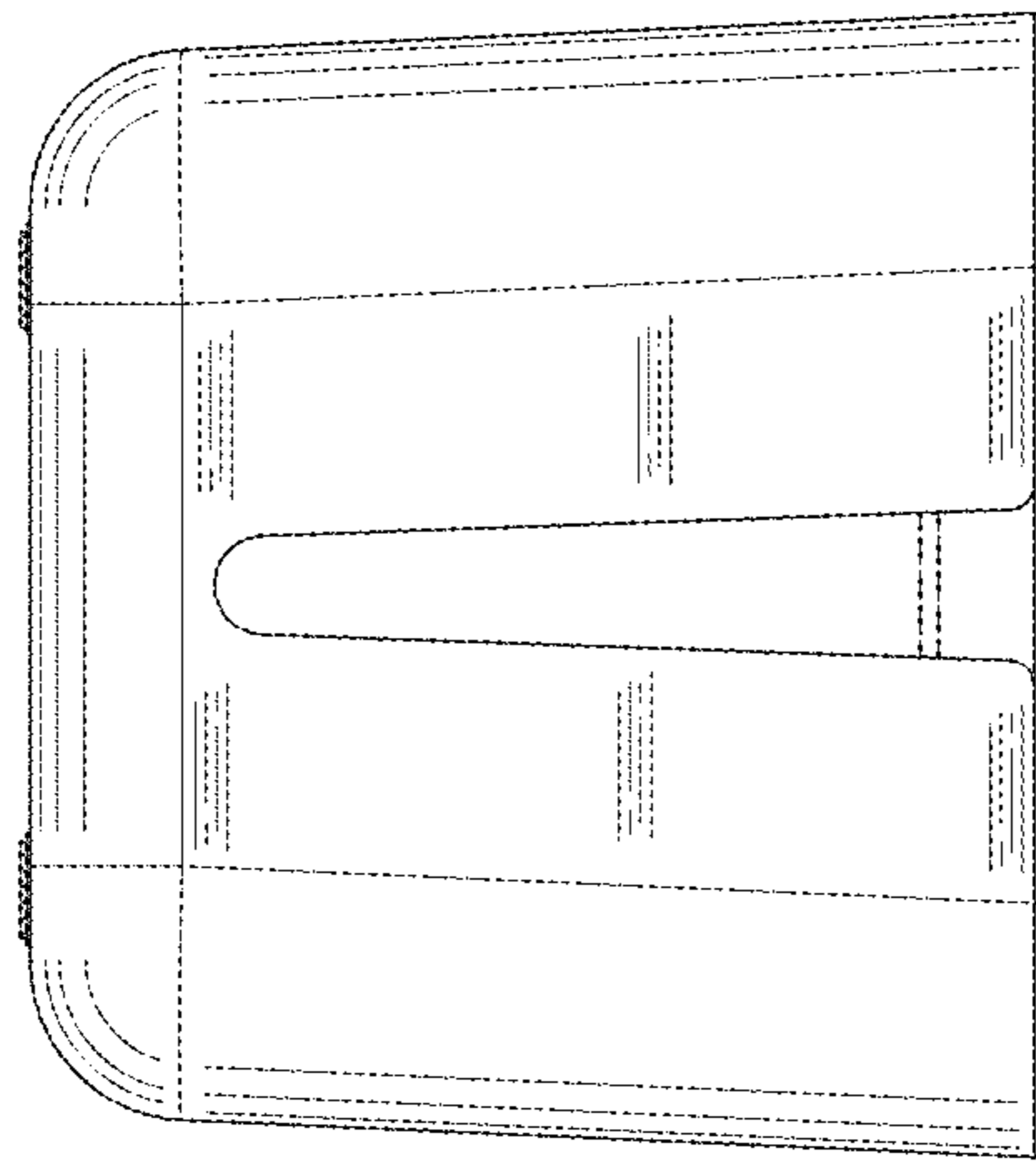


FIG. 5

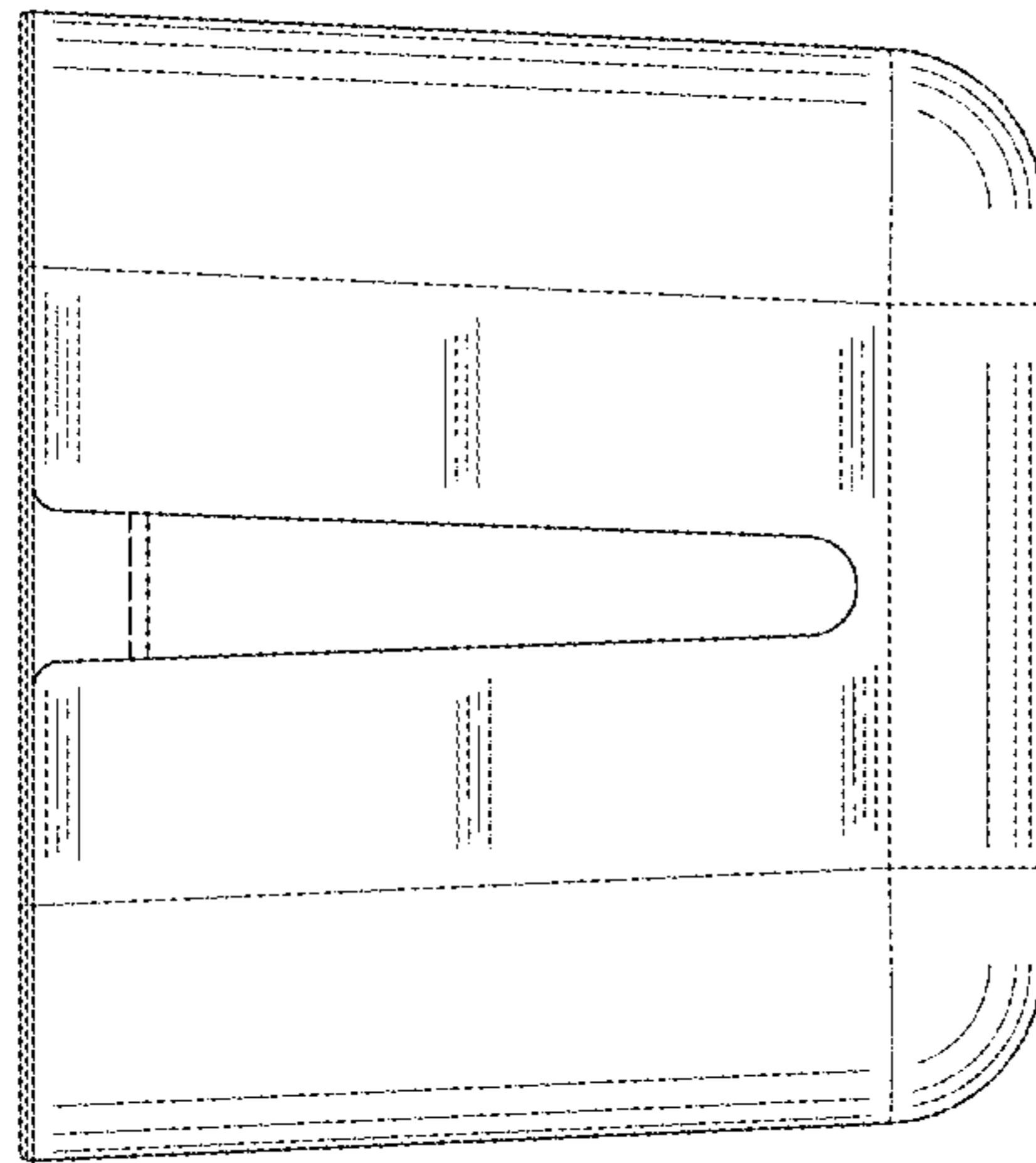


FIG. 6

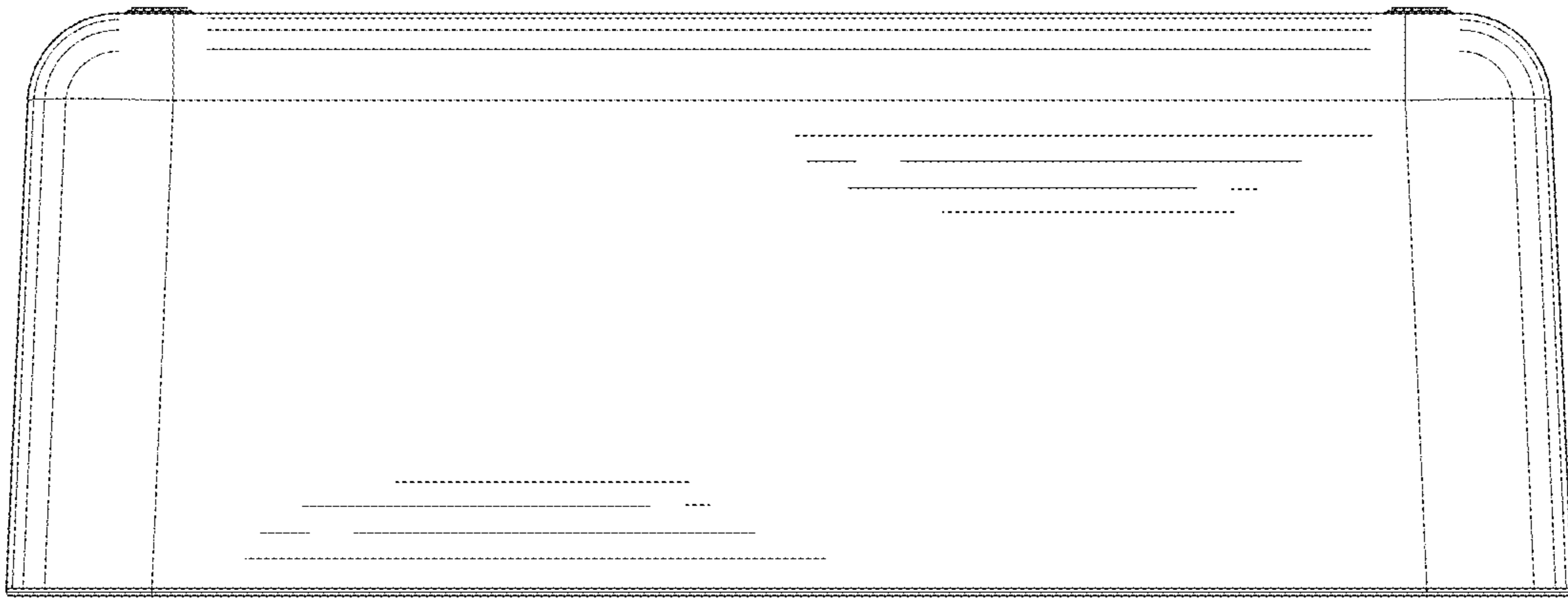


FIG. 7



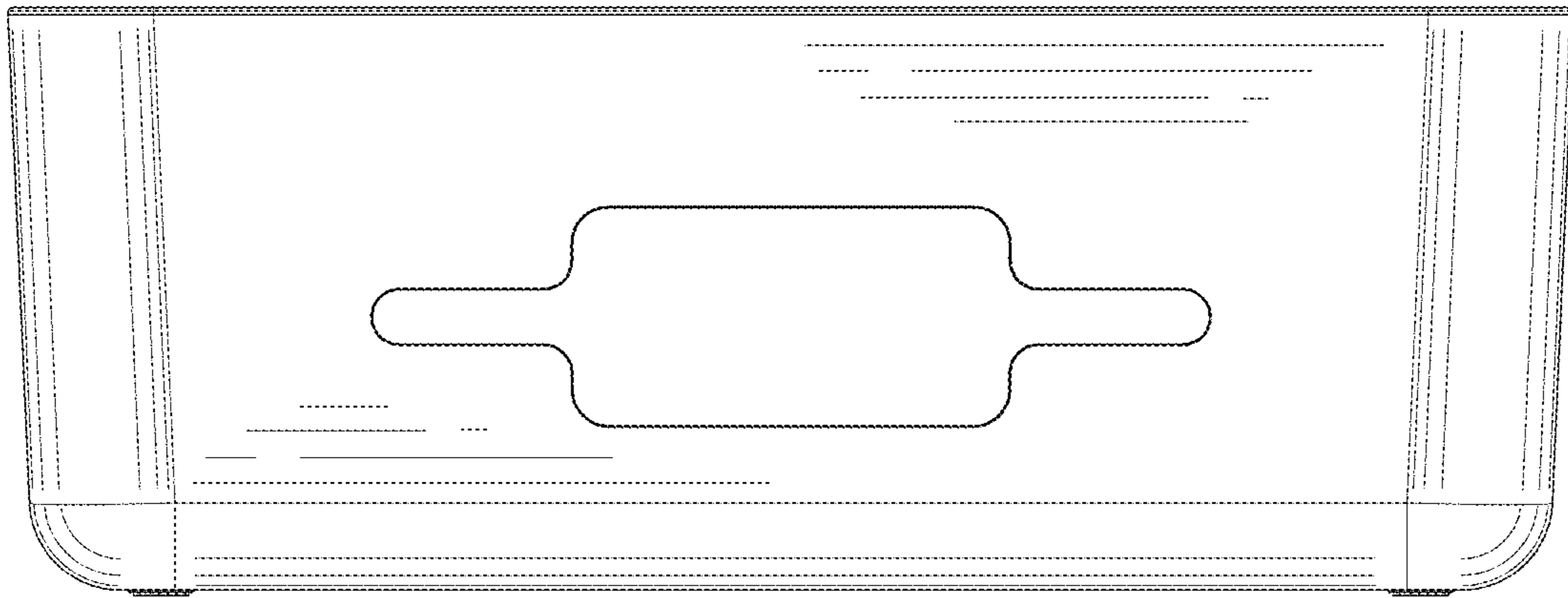


FIG. 8