



US00D826854S

(12) **United States Design Patent**  
**Roberts**

(10) **Patent No.:** **US D826,854 S**

(45) **Date of Patent:** **\*\* Aug. 28, 2018**

(54) **PORTABLE POWER BANK**

(71) Applicant: **James Christopher Roberts**, St Martin (JE)

(72) Inventor: **James Christopher Roberts**, St Martin (JE)

(73) Assignee: **Flashbay Electronics Hong Kong Limited**, Hong Kong (HK)

(\*\*) Term: **15 Years**

(21) Appl. No.: **29/616,576**

(22) Filed: **Sep. 7, 2017**

(51) **LOC (11) Cl.** ..... **13-02**

(52) **U.S. Cl.**  
USPC ..... **D13/108; D13/103**

(58) **Field of Classification Search**  
USPC ..... D13/102–110, 118, 119, 184, 199;  
D14/356, 432  
See application file for complete search history.

(56) **References Cited**

**U.S. PATENT DOCUMENTS**

D520,502 S \* 5/2006 Xu ..... D14/356  
D575,729 S \* 8/2008 Nomi ..... D13/107

D665,734 S \* 8/2012 Fitch ..... D13/107  
D733,043 S \* 6/2015 Hasbrook ..... D13/103  
D787,443 S \* 5/2017 Chiang ..... D13/110  
D814,405 S \* 4/2018 Hahn ..... D13/107  
D815,037 S \* 4/2018 Chen ..... D13/108

\* cited by examiner

*Primary Examiner* — Rosemary K Tarcza

*Assistant Examiner* — Christy M Nemeth

(57) **CLAIM**

The ornamental design for a portable power bank, as shown and described.

**DESCRIPTION**

FIG. 1 is a top plan view of a portable power bank;  
FIG. 2 is a right side elevation view, the left side elevation view being a mirror image thereof;  
FIG. 3 is a rear elevation view thereof;  
FIG. 4 is a front elevation view thereof;  
FIG. 5 is a front, top, right side perspective view thereof;  
and,  
FIG. 6 is a rear, bottom, left side perspective view thereof.

**1 Claim, 2 Drawing Sheets**

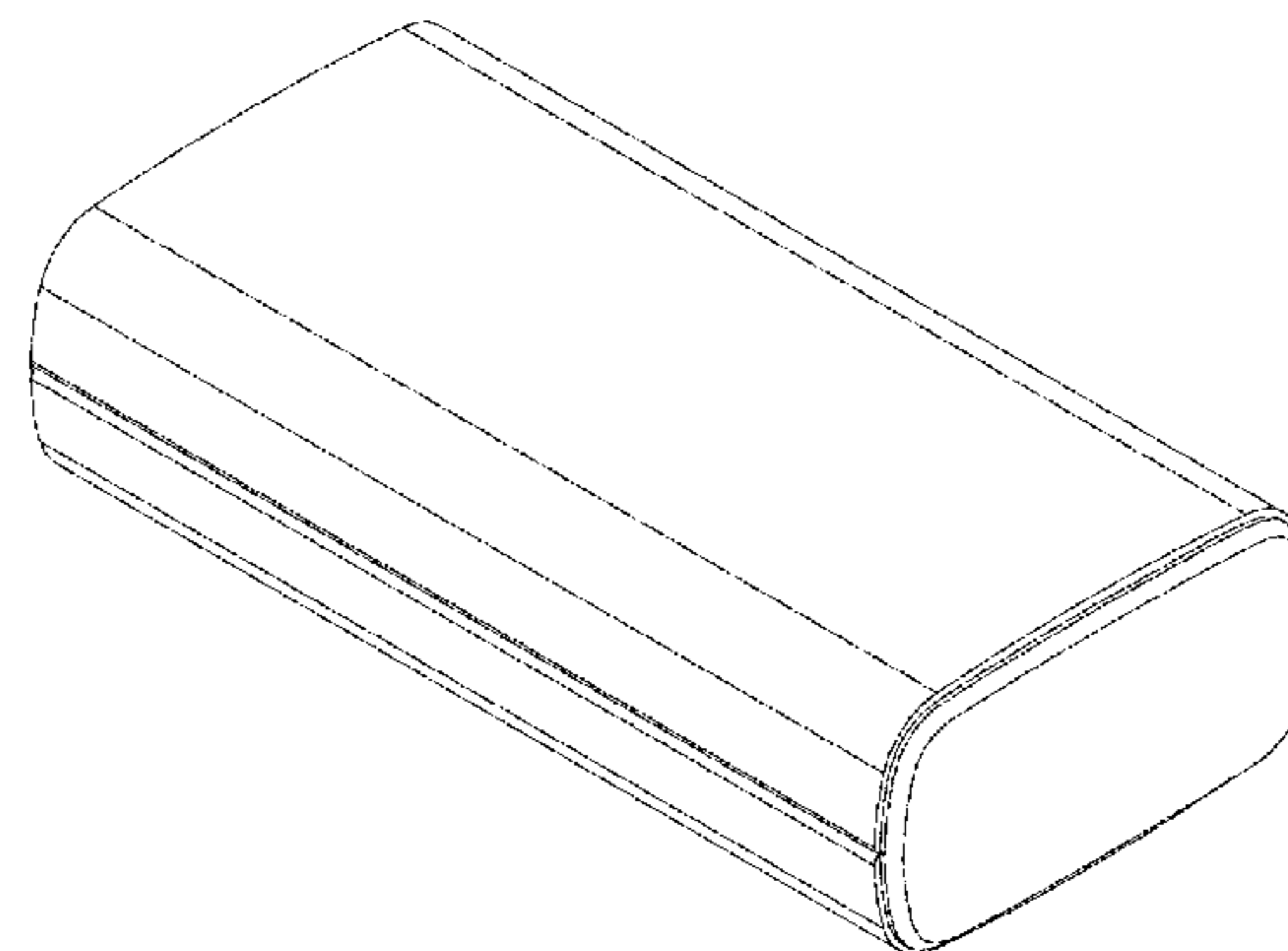
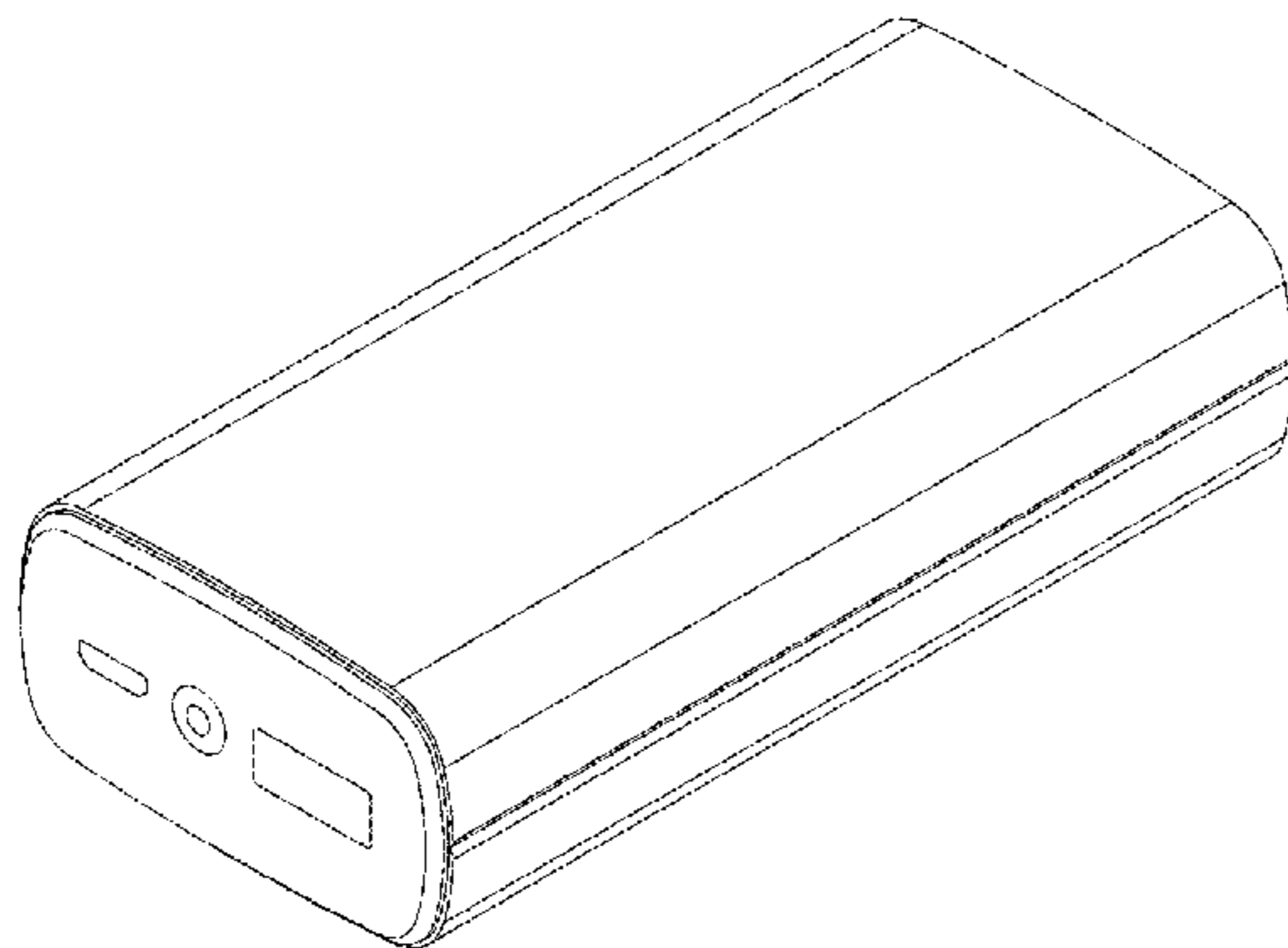


FIG.1

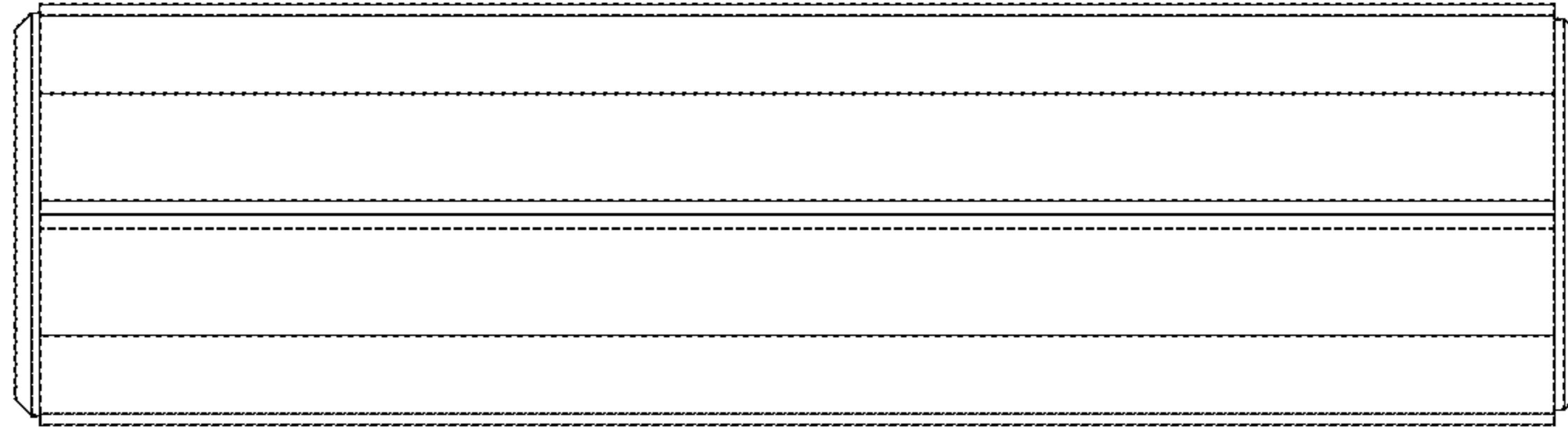


FIG.2

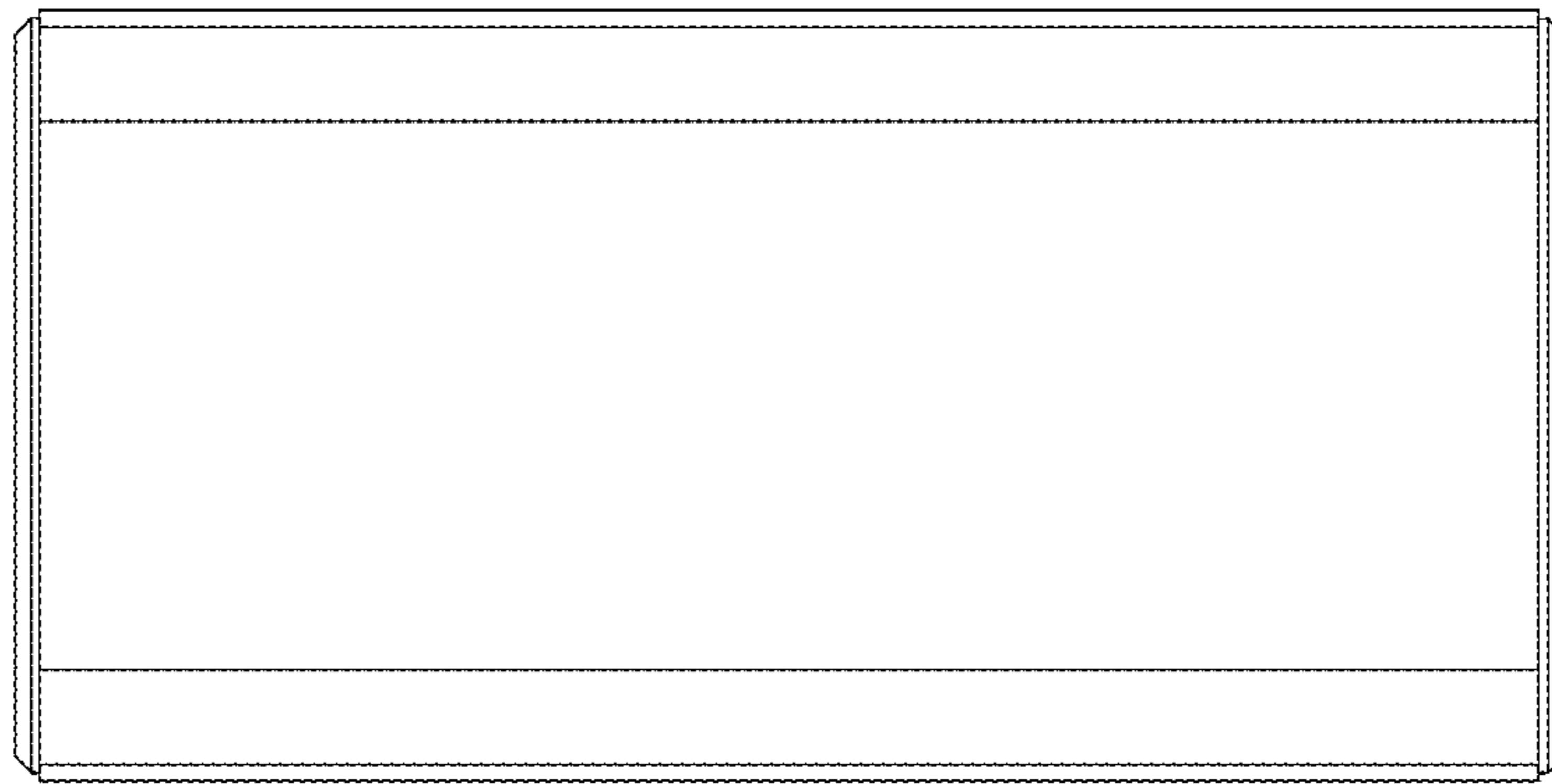


FIG.3

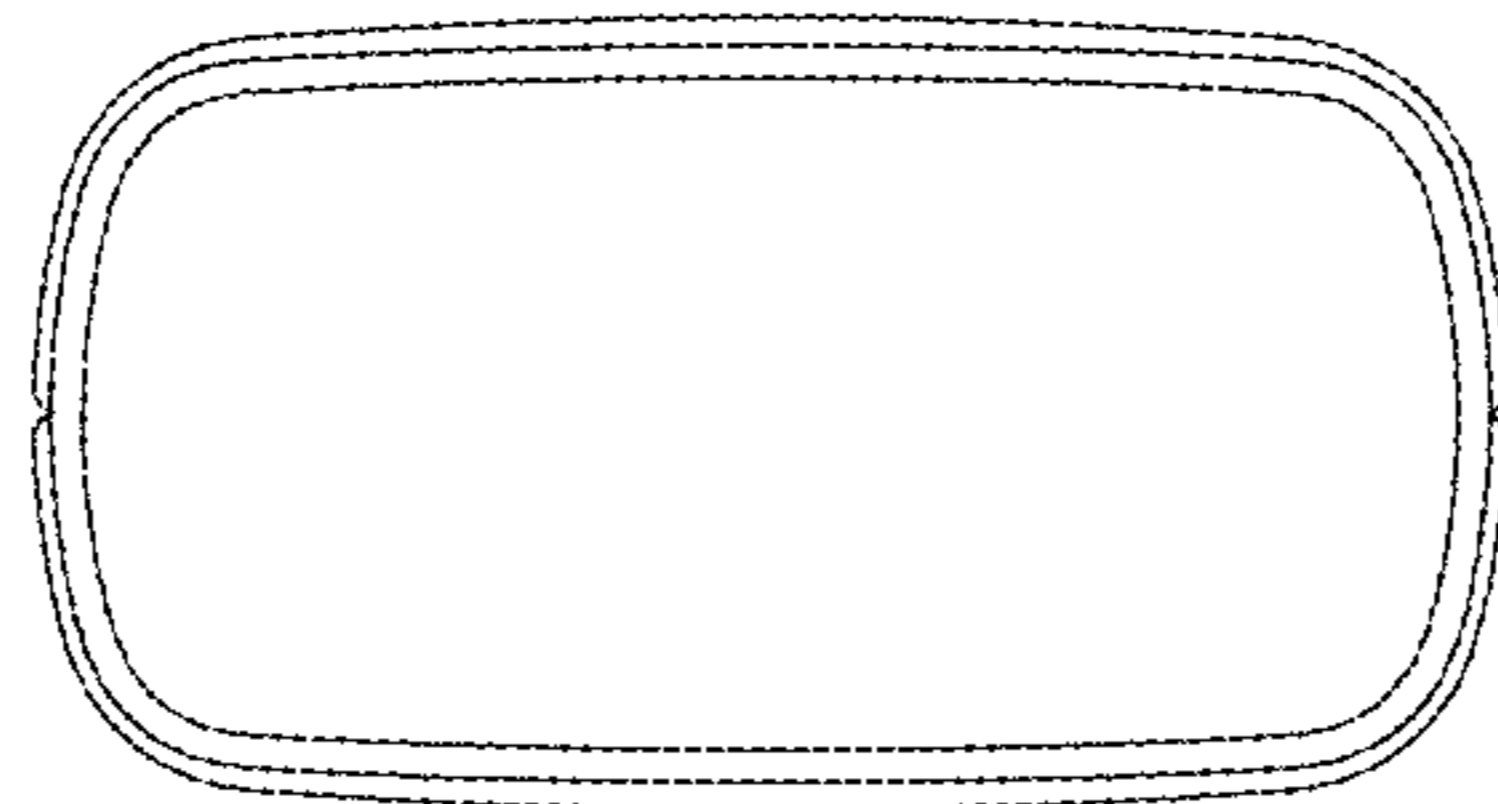


FIG.4

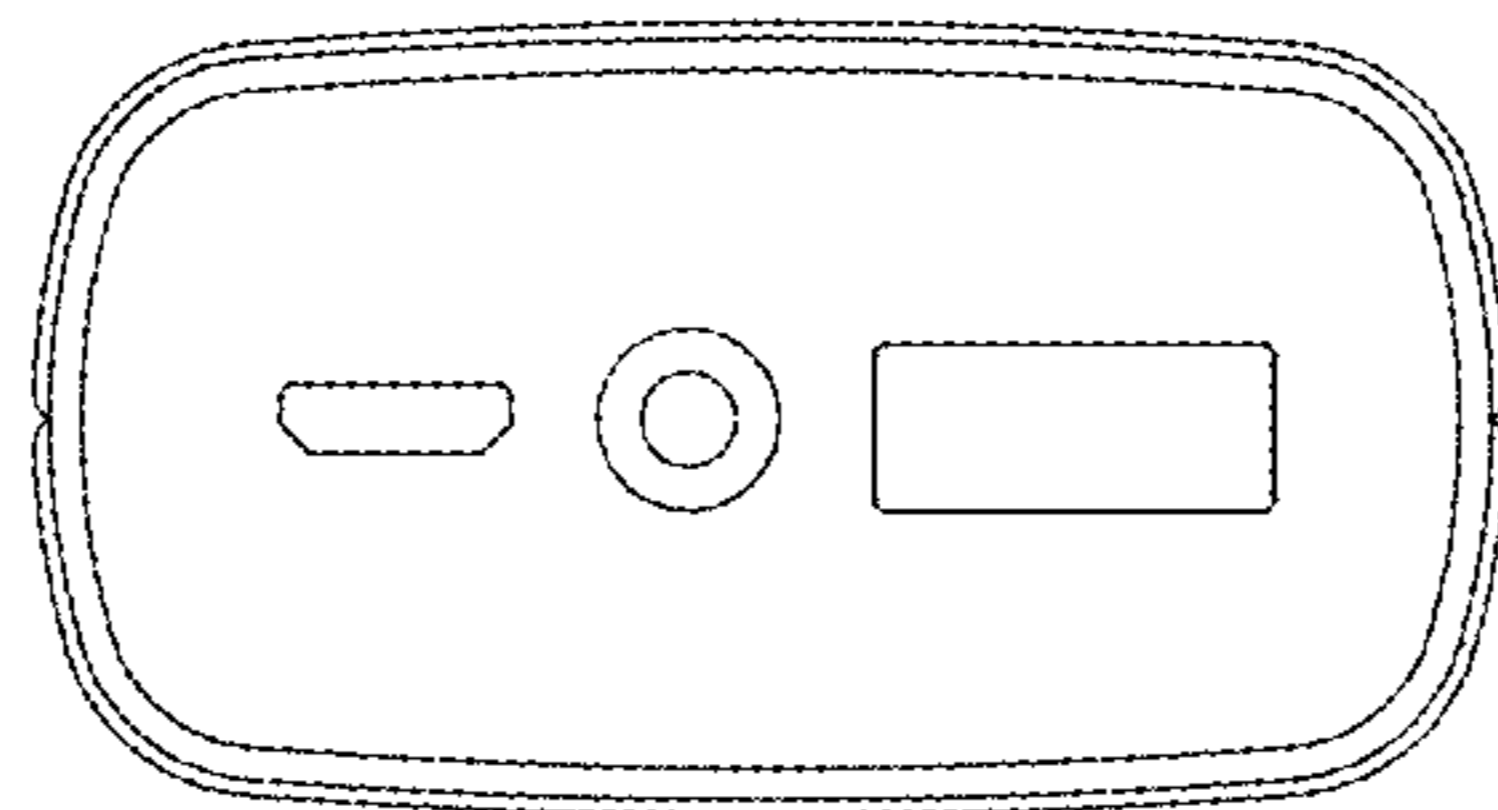


FIG.5

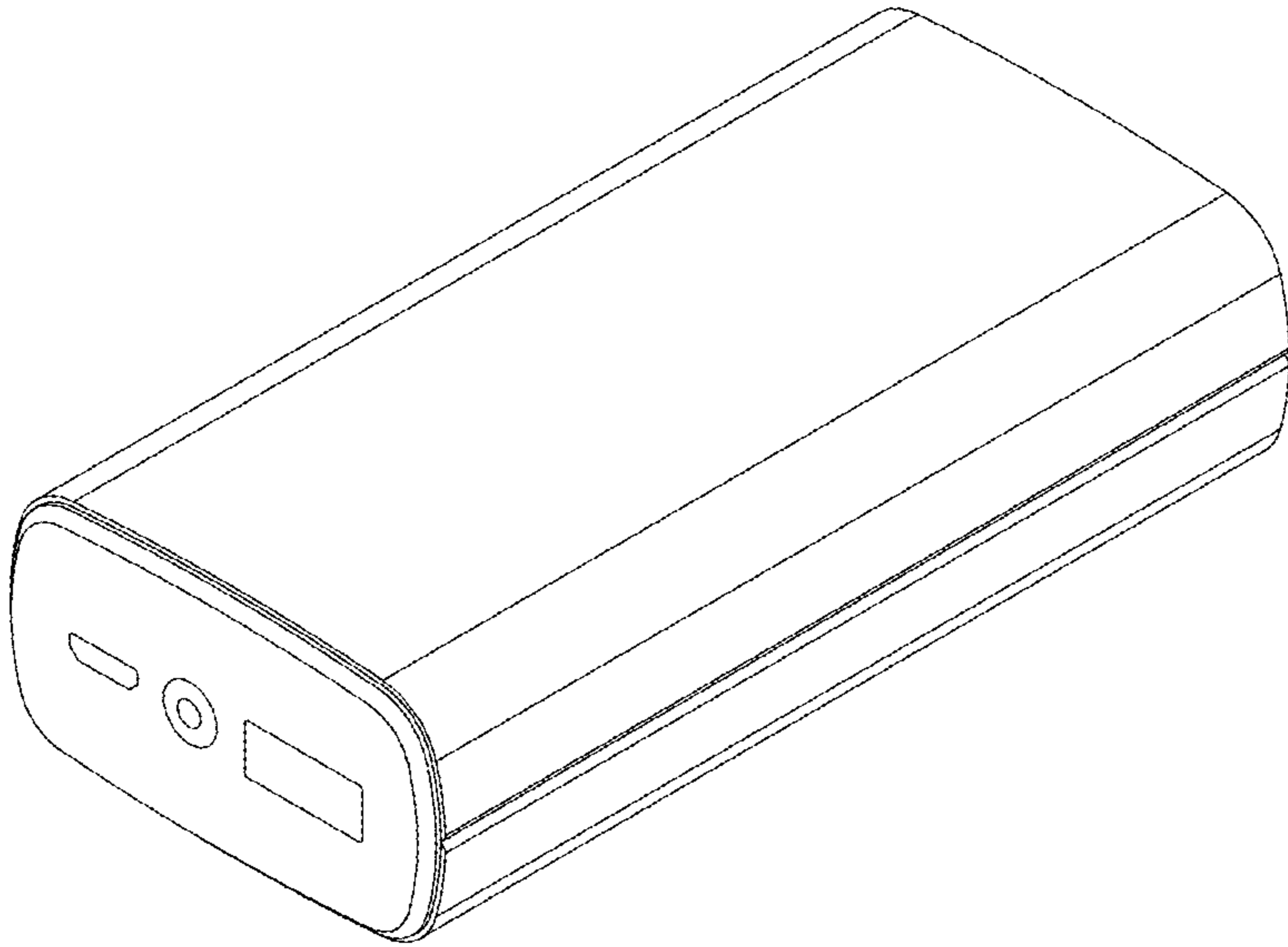


FIG.6

