



US00D826852S

(12) **United States Design Patent**
Hung

(10) **Patent No.:** **US D826,852 S**

(45) **Date of Patent:** **** Aug. 28, 2018**

(54) **CHARGE BOX FOR A HEADSET**
(71) Applicant: **MAVIN TECHNOLOGY INC.,**
Zhubei, Hsinchu County (TW)
(72) Inventor: **Su-Yu Hung,** Zhubei (TW)
(73) Assignee: **MAVIN TECHNOLOGY INC.,**
Zhubei (TW)

(**) Term: **15 Years**
(21) Appl. No.: **29/604,303**
(22) Filed: **May 16, 2017**

(30) **Foreign Application Priority Data**
Mar. 10, 2017 (TW) 106301228
(51) **LOC (11) Cl.** **13-02**
(52) **U.S. Cl.**
USPC **D13/108**
(58) **Field of Classification Search**
USPC D13/107-110, 118-119, 184; D14/251,
D14/253, 432, 434
CPC Y02E 60/12; Y02T 90/14; Y02T 90/122;
Y02T 90/128; Y02T 90/163; H02J 7/025;
H02J 7/0042; H02J 7/0044; H02J 7/0045;
H02J 7/0003; H01F 38/14; H01R
13/6675; H01M 2/1022; H01M 2/1055;
H01M 10/44; H01M 10/46; H01M
10/425; B60L 11/182
See application file for complete search history.

(56) **References Cited**
U.S. PATENT DOCUMENTS
D562,761 S * 2/2008 Ueda D13/107
D634,269 S * 3/2011 Griffin, Jr. D13/103

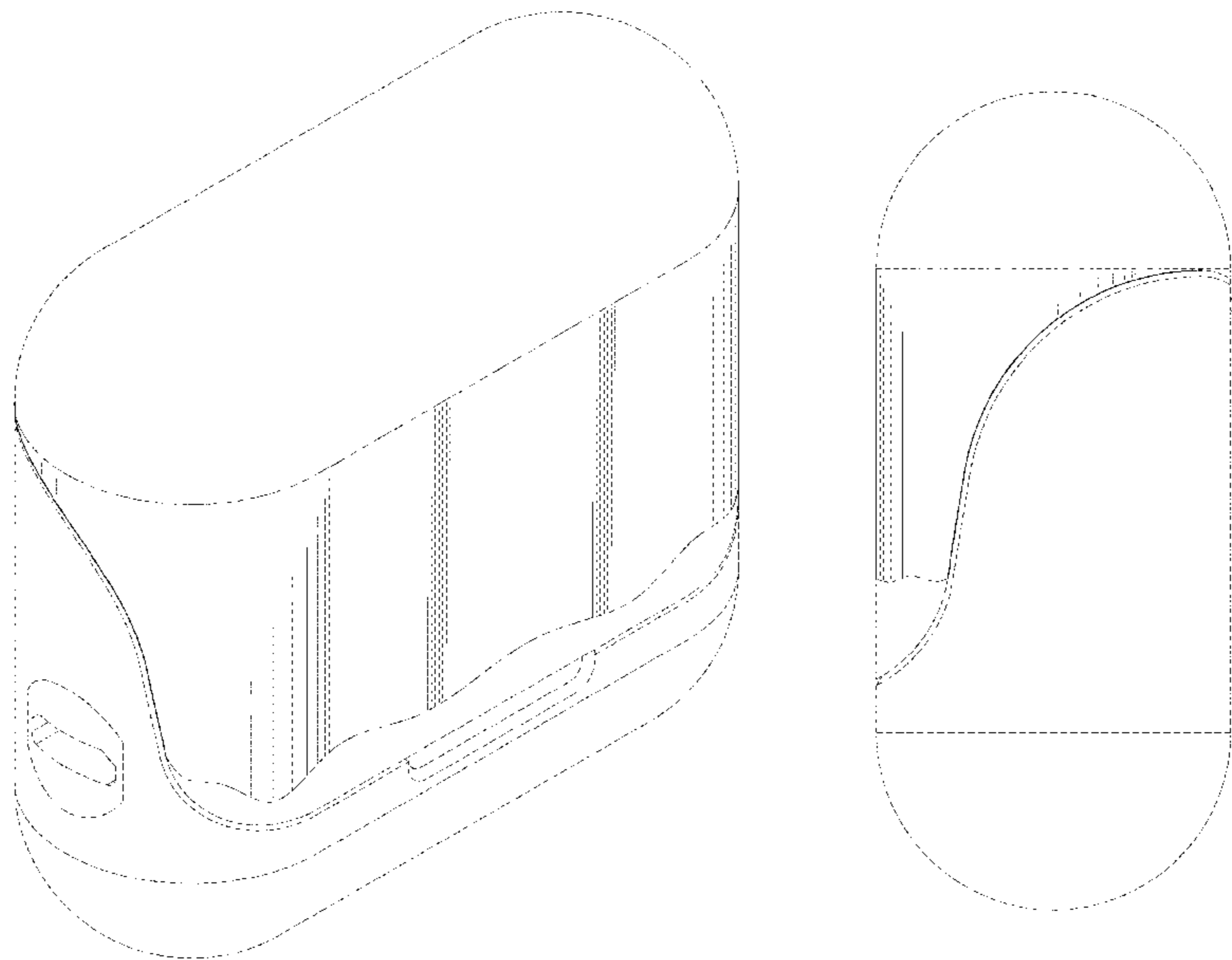
D638,355 S * 5/2011 Chen D13/110
D641,693 S * 7/2011 Akana D13/107
D656,093 S * 3/2012 Nomi D13/107
D677,000 S * 2/2013 Liu D27/189
D733,961 S * 7/2015 Wu D27/189
D737,506 S * 8/2015 Liu D27/189
D779,726 S * 2/2017 Bennett D27/189
D780,725 S * 3/2017 Kim D13/110
D788,037 S * 5/2017 Hung D13/110
D791,077 S * 7/2017 Tsou D13/108
D808,793 S * 1/2018 Angeloni D9/420

* cited by examiner
Primary Examiner — Rosemary K Tarca
Assistant Examiner — Nathaniel D. Buckner
(74) *Attorney, Agent, or Firm* — Maschoff Brennan

(57) **CLAIM**
The ornamental design for a charge box for a headset, as shown and described.

DESCRIPTION
FIG. 1 is a top front left perspective view of a charge box for a headset showing my new design;
FIG. 2 is a bottom rear right perspective view thereof;
FIG. 3 is a front view thereof;
FIG. 4 is a rear view thereof;
FIG. 5 is a left side view thereof;
FIG. 6 is a right side view thereof;
FIG. 7 is a top view thereof;
FIG. 8 is a bottom view thereof; and,
FIG. 9 is a perspective view thereof in an open state.
The dashed broken lines illustrate environmental structure and form no part of the claimed design. The dot-dash broken lines represent a boundary that forms no part of the claimed design.

1 Claim, 9 Drawing Sheets



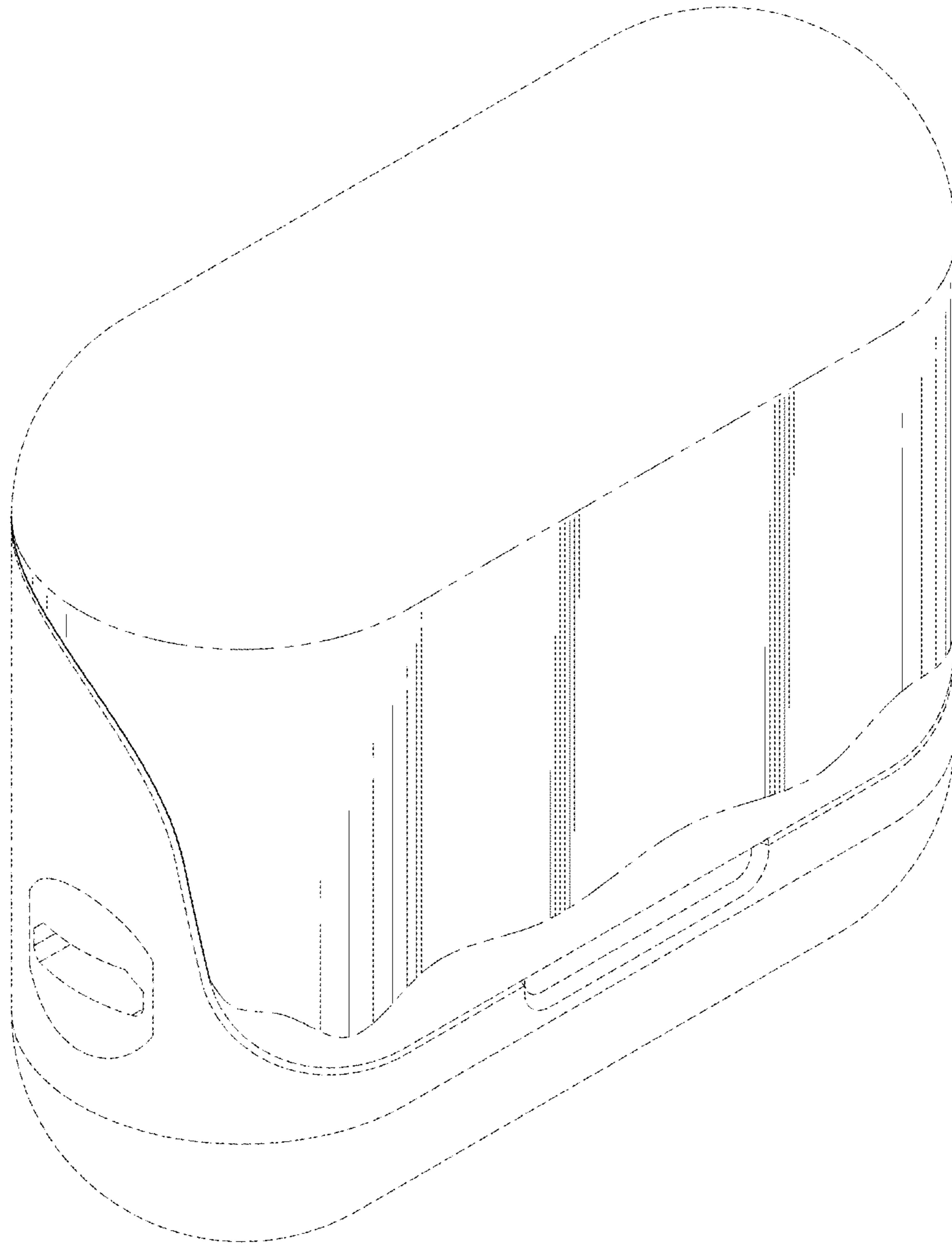


FIG. 1

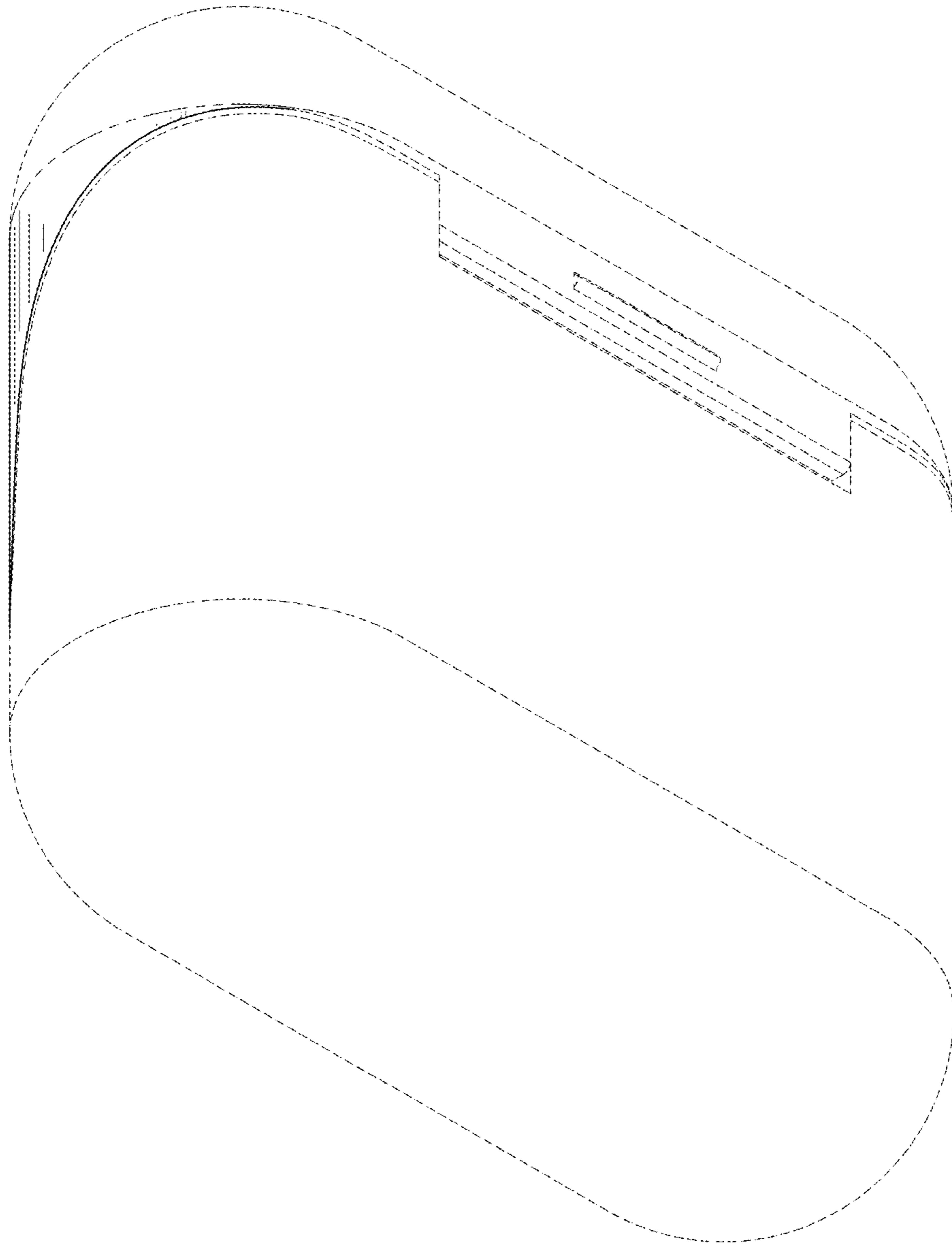


FIG. 2

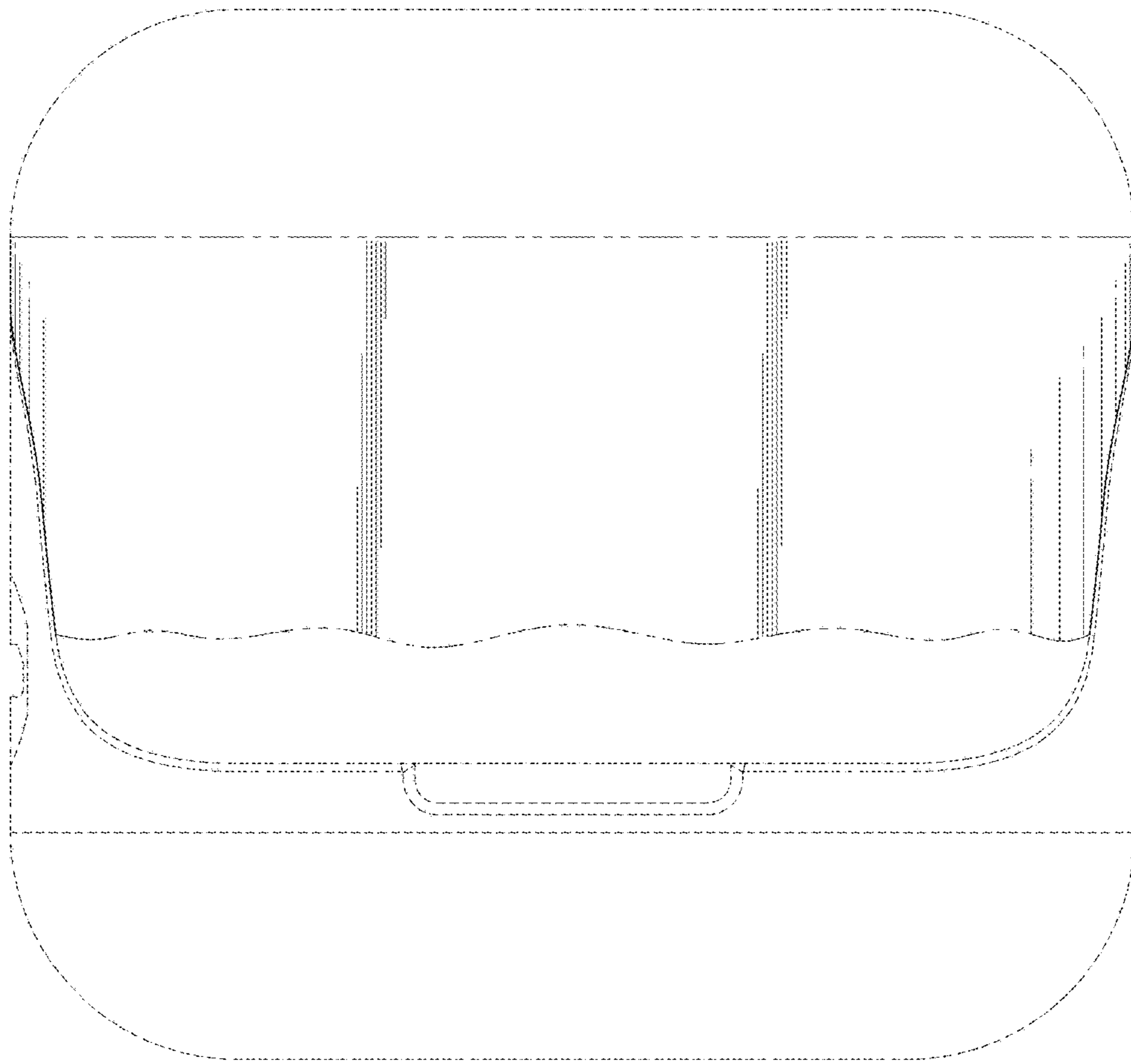


FIG. 3

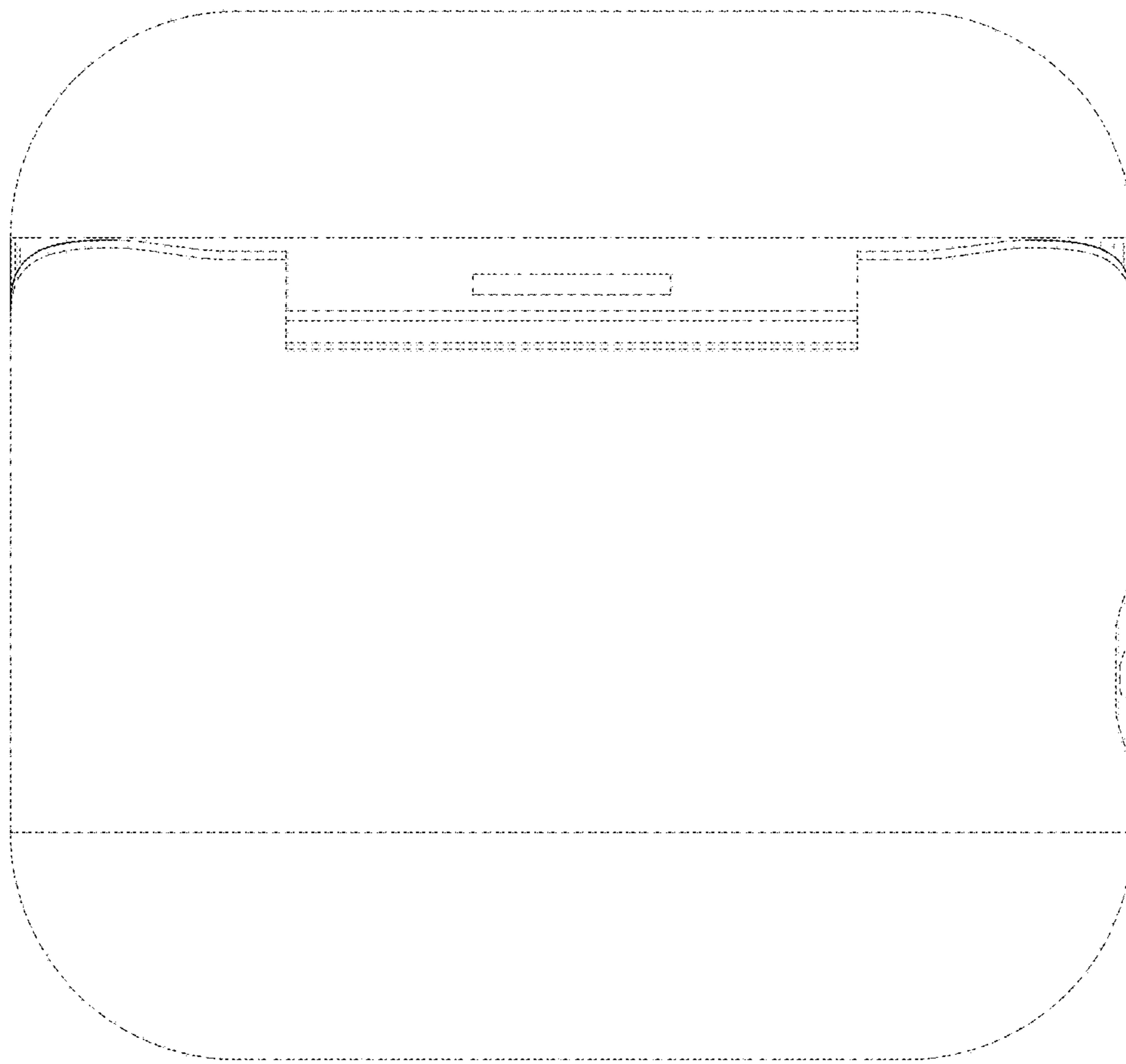


FIG. 4

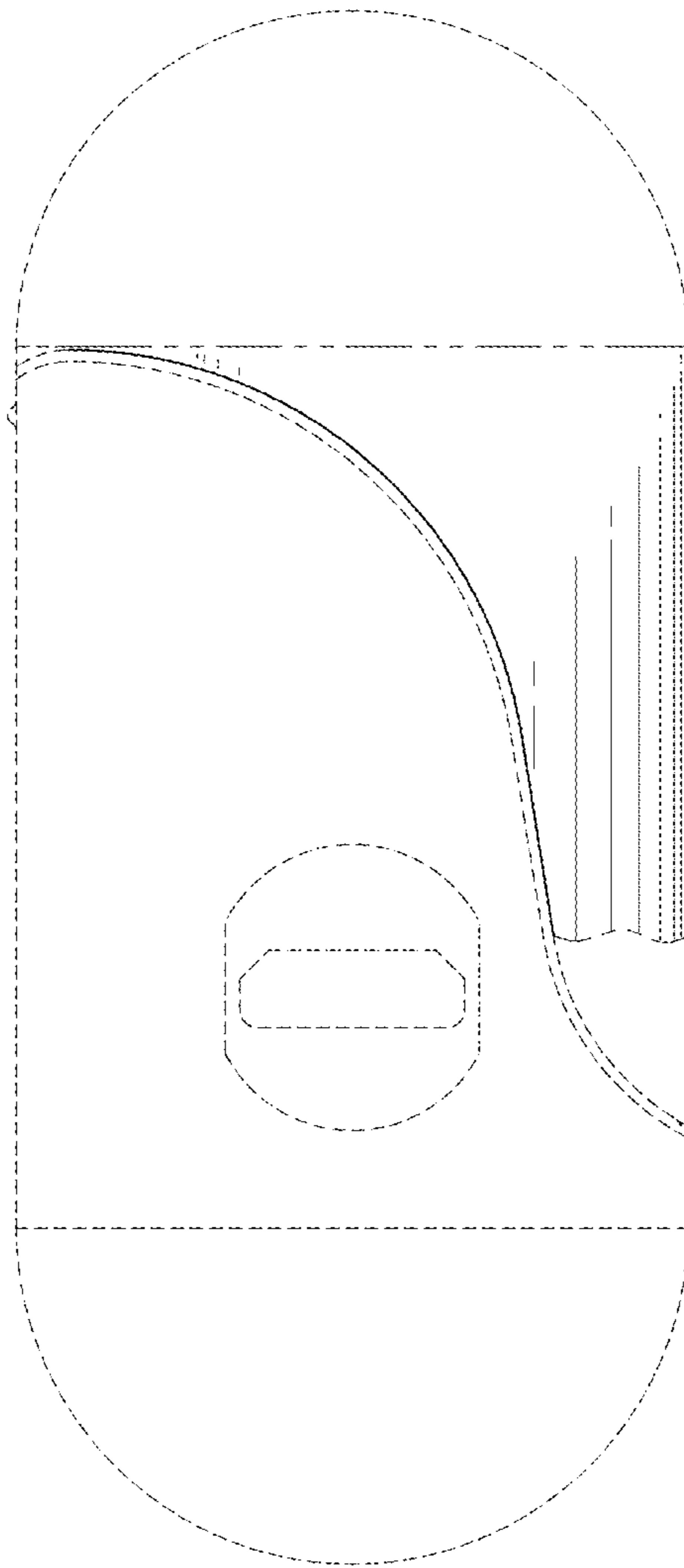


FIG. 5

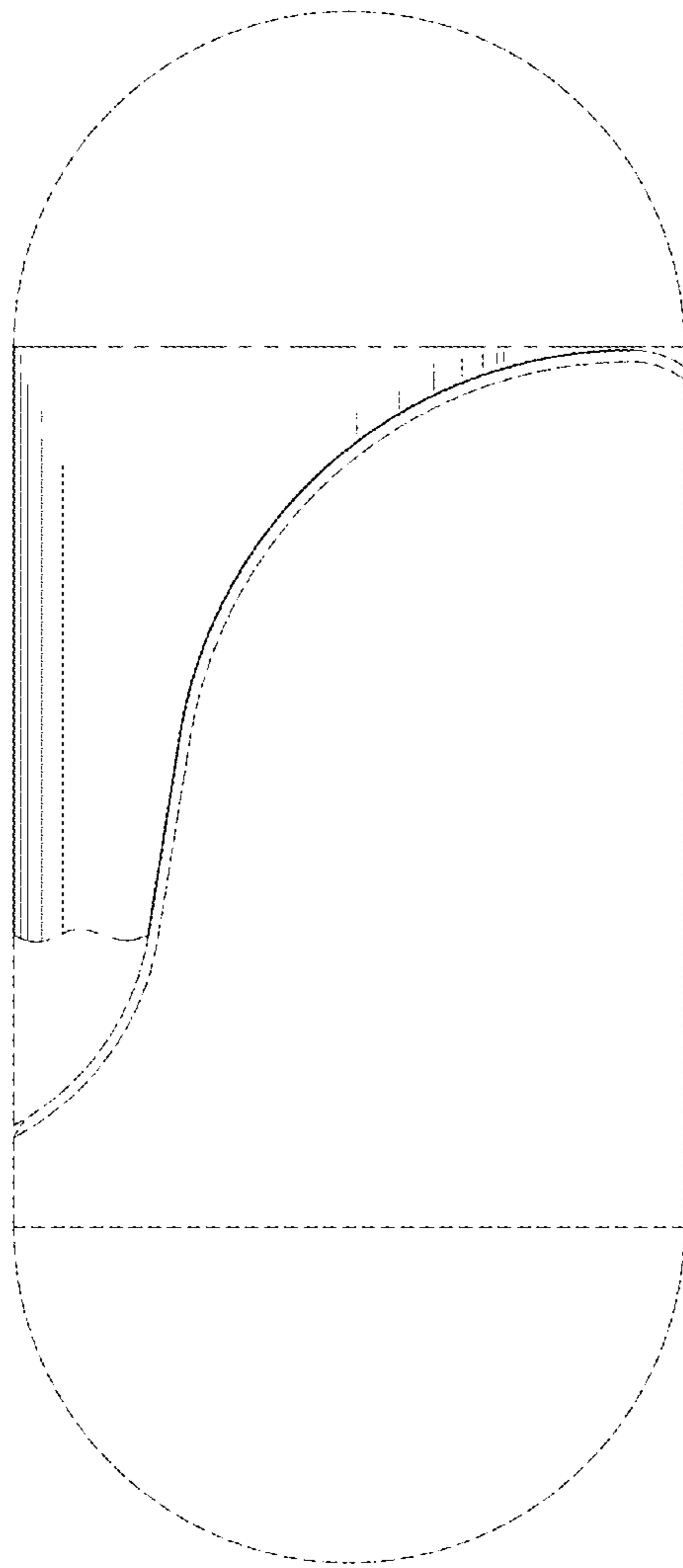


FIG. 6



FIG. 7



FIG. 8

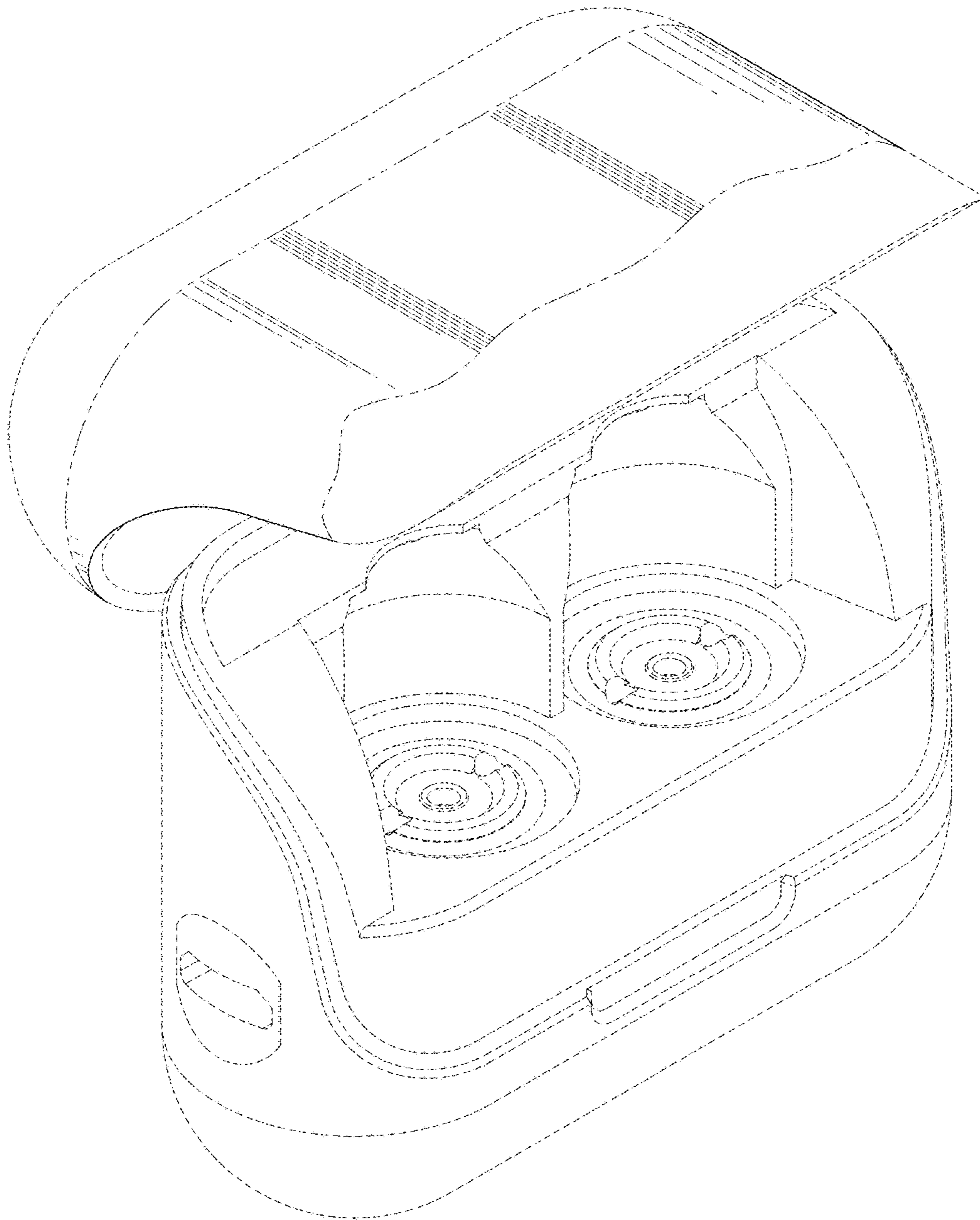


FIG. 9