



US00D826851S

(12) **United States Design Patent** (10) **Patent No.:** **US D826,851 S**
Wang (45) **Date of Patent:** **** Aug. 28, 2018**

(54) **CHARGING STATION**

(71) Applicant: **SHENZHEN YONGFENGWANG TECHNOLOGY LIMITED**, Shenzhen (CN)

(72) Inventor: **Hongbin Wang**, Wugang (CN)

(73) Assignee: **SHENZHEN YONGFENGWANG TECHNOLOGY LIMITED**, Shenzhen (CN)

(**) Term: **15 Years**

(21) Appl. No.: **29/603,599**

(22) Filed: **May 11, 2017**

(51) **LOC (11) Cl.** **13-02**

(52) **U.S. Cl.**
USPC **D13/108**

(58) **Field of Classification Search**
USPC D13/107-110, 118-119, 184; D14/251, D14/253, 432, 434
CPC Y02E 60/12; Y02T 90/14; Y02T 90/122; Y02T 90/128; Y02T 90/163; H02J 7/025; H02J 7/0042; H02J 7/0044; H02J 7/0045; H02J 7/0003; H01F 38/14; H01R 13/6675; H01M 2/1022; H01M 2/1055; H01M 10/44; H01M 10/46; H01M 10/425; B60L 11/182
See application file for complete search history.

(56) **References Cited**

U.S. PATENT DOCUMENTS

D319,061 S * 8/1991 Powell D13/107
D367,651 S * 3/1996 Hellier D13/108

D554,107 S * 10/2007 Calco D14/217
D713,399 S * 9/2014 Green D14/253
D717,783 S * 11/2014 Gelsomini D14/253
D727,329 S * 4/2015 Johnson D14/434
D762,650 S * 8/2016 Dang D14/434
D772,216 S * 11/2016 Lau D13/108
D788,699 S * 6/2017 Hoehn D13/107
D789,294 S * 6/2017 Yue D13/108
D799,463 S * 10/2017 Deng D14/252
D804,488 S * 12/2017 Burns D14/447
2016/0261139 A1* 9/2016 Kidakarn H02J 7/025

* cited by examiner

Primary Examiner — Rosemary K Tarca
Assistant Examiner — Nathaniel D. Buckner
(74) *Attorney, Agent, or Firm* — JiangIP LLC; Yanling Jiang

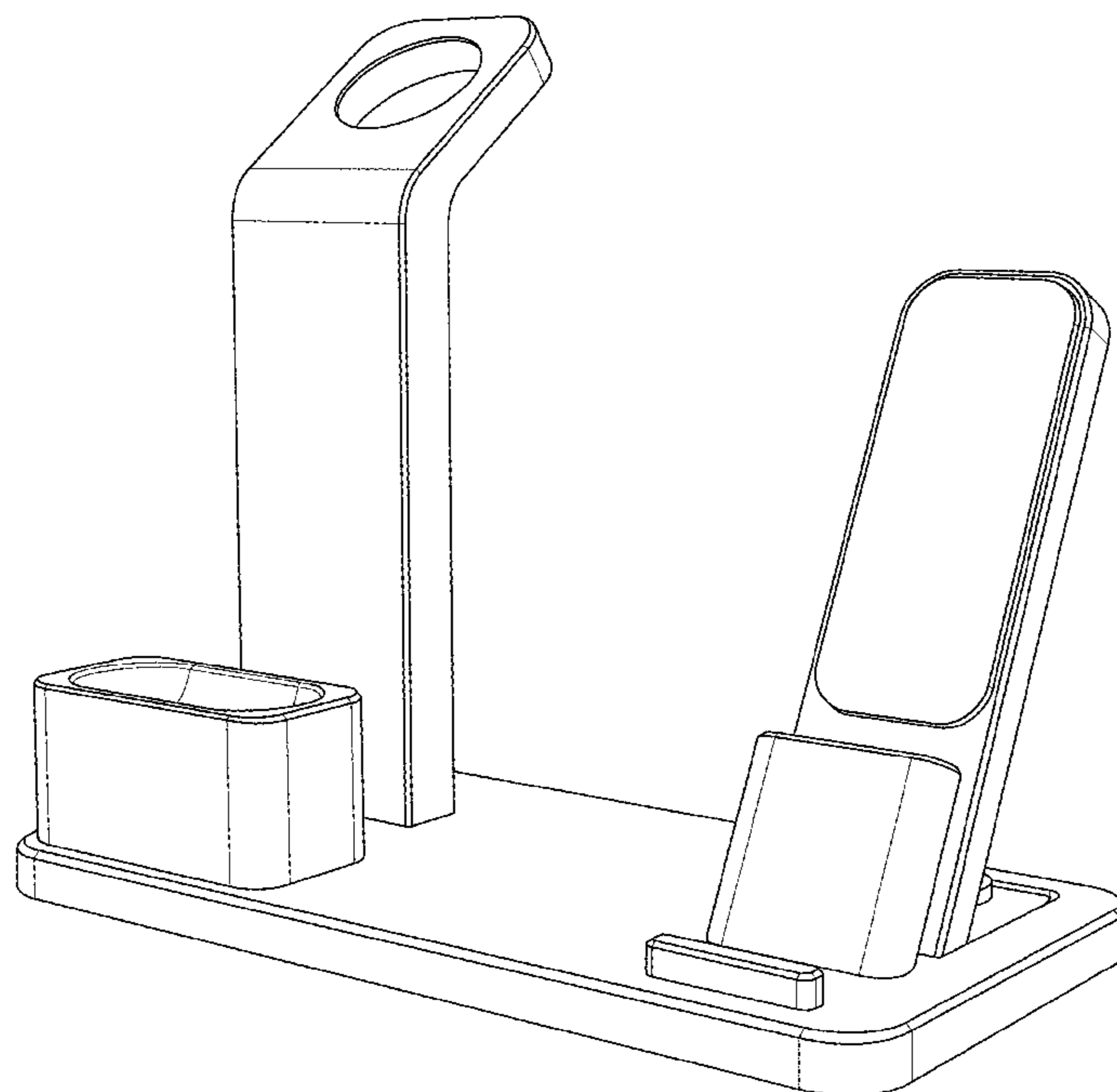
(57) **CLAIM**

The ornamental design for a charging station, as shown and described.

DESCRIPTION

FIG. 1 is a perspective view showing a charging station. FIG. 2 is a top plan view thereof; FIG. 3 is a bottom plan view thereof; FIG. 4 is a front elevation view thereof; FIG. 5 is a right side view thereof; FIG. 6 is a rear elevation view thereof; and, FIG. 7 is a left side view of thereof. The broken lines in the figures depict portions of the article which form no part of the claimed design.

1 Claim, 7 Drawing Sheets



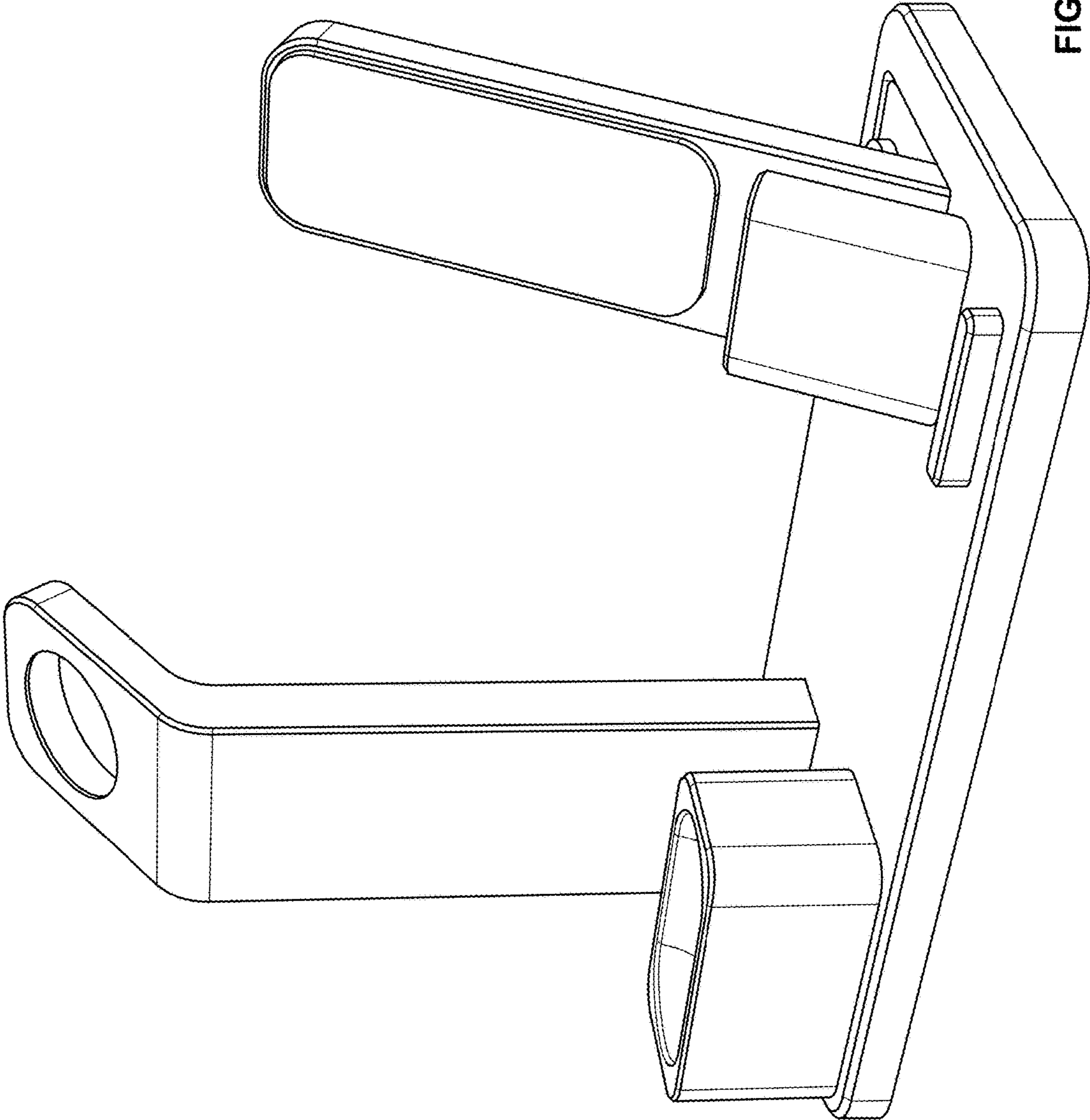


FIG. 1

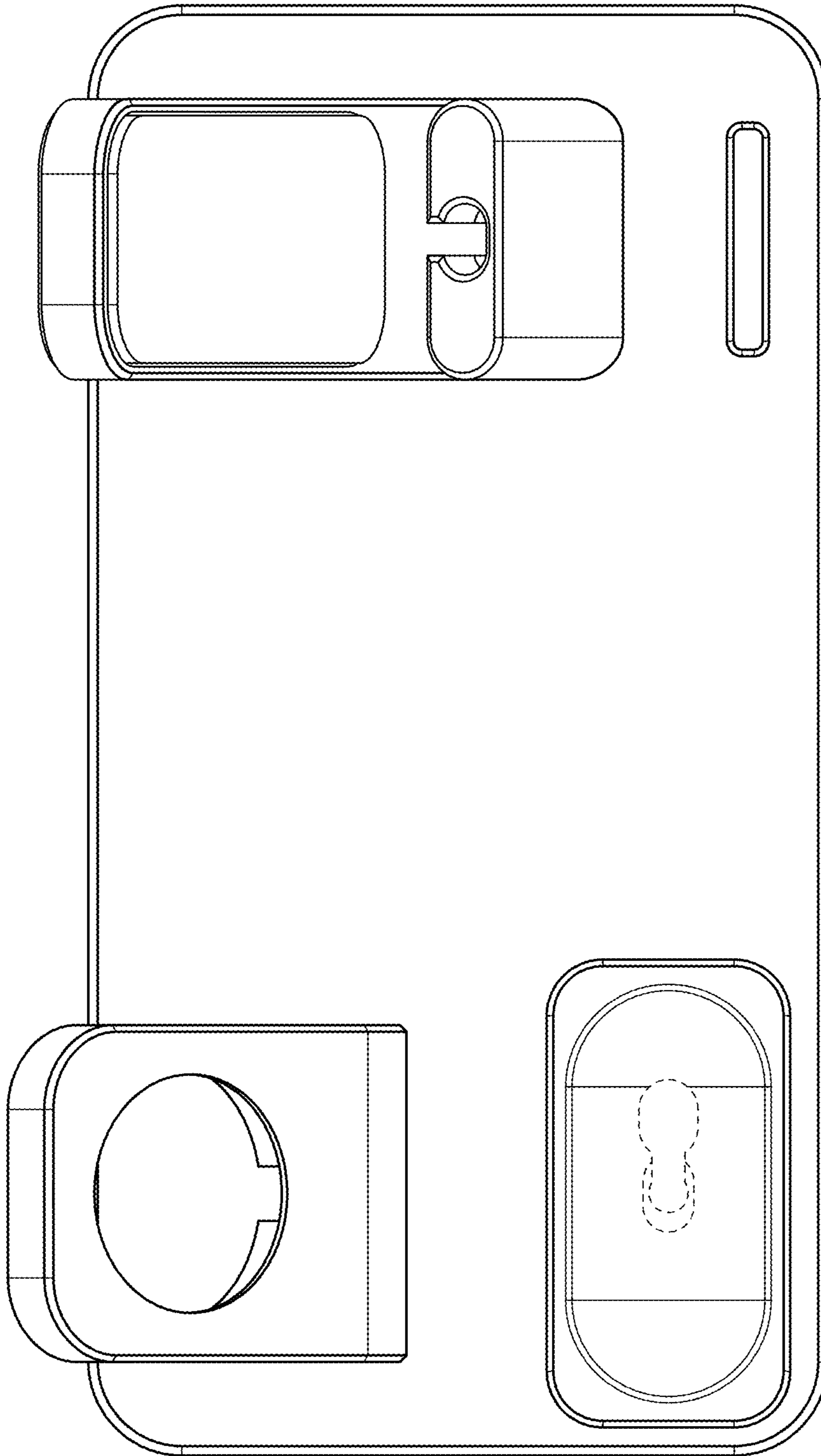


FIG. 2

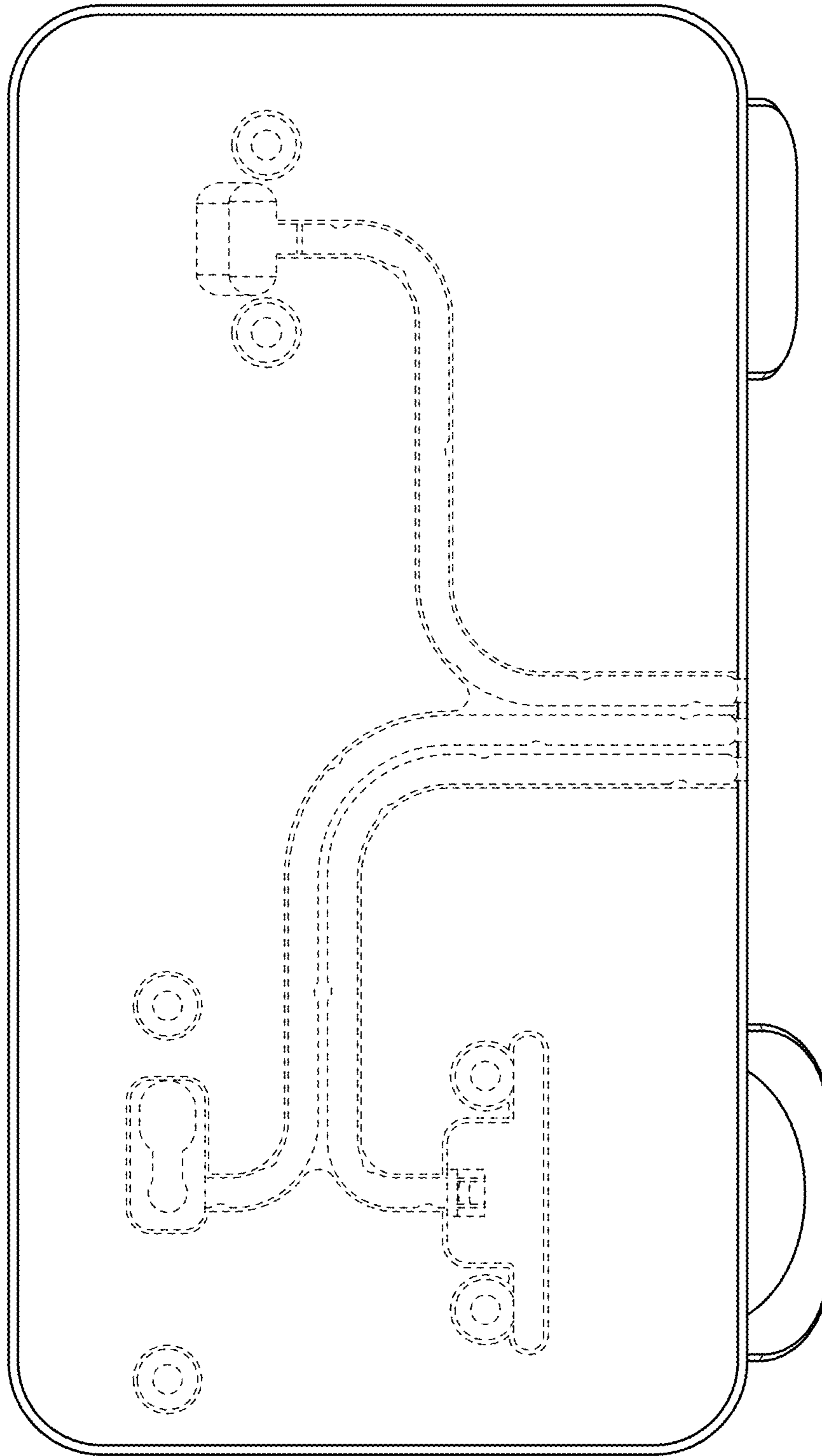


FIG. 3

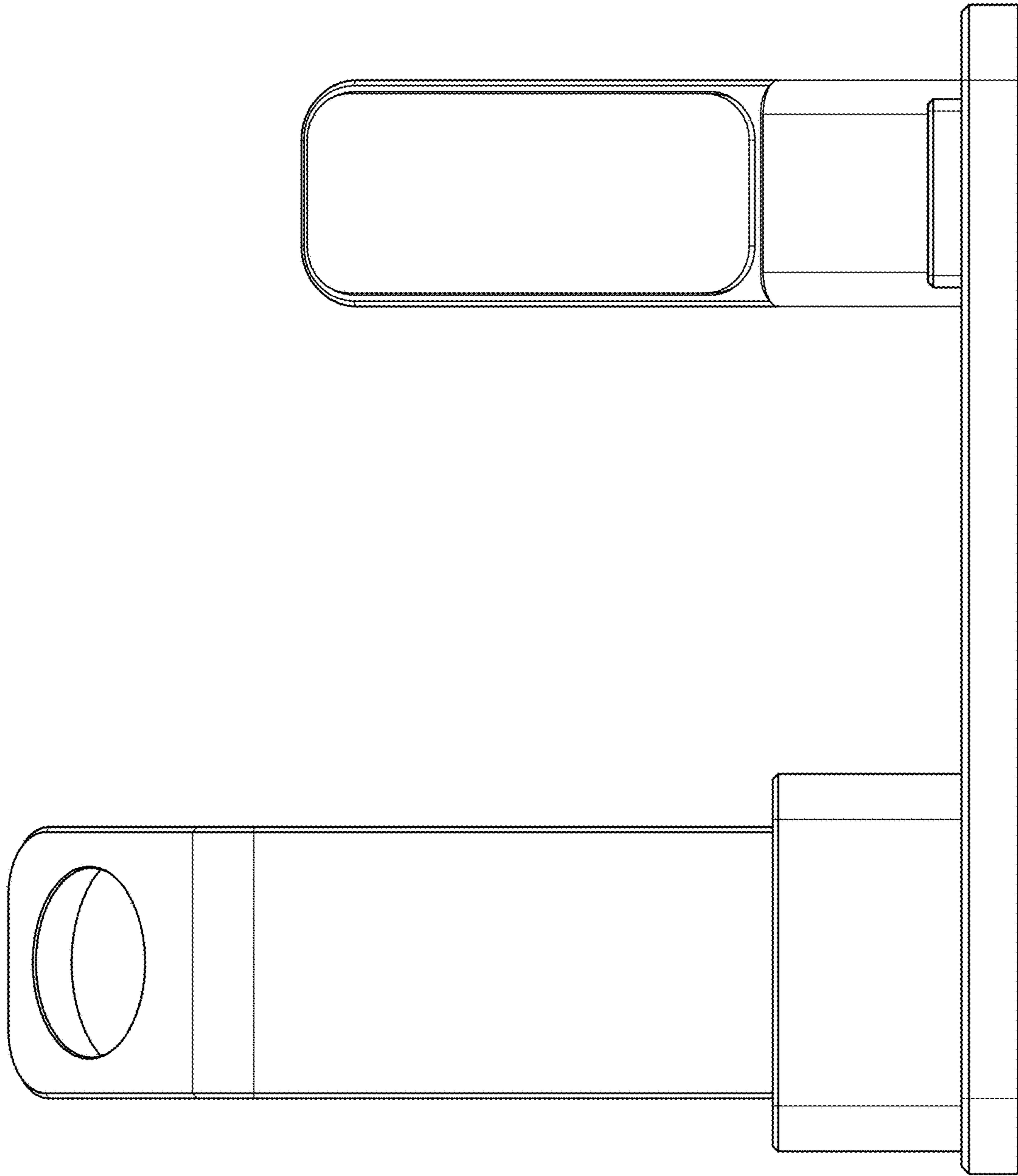


FIG. 4

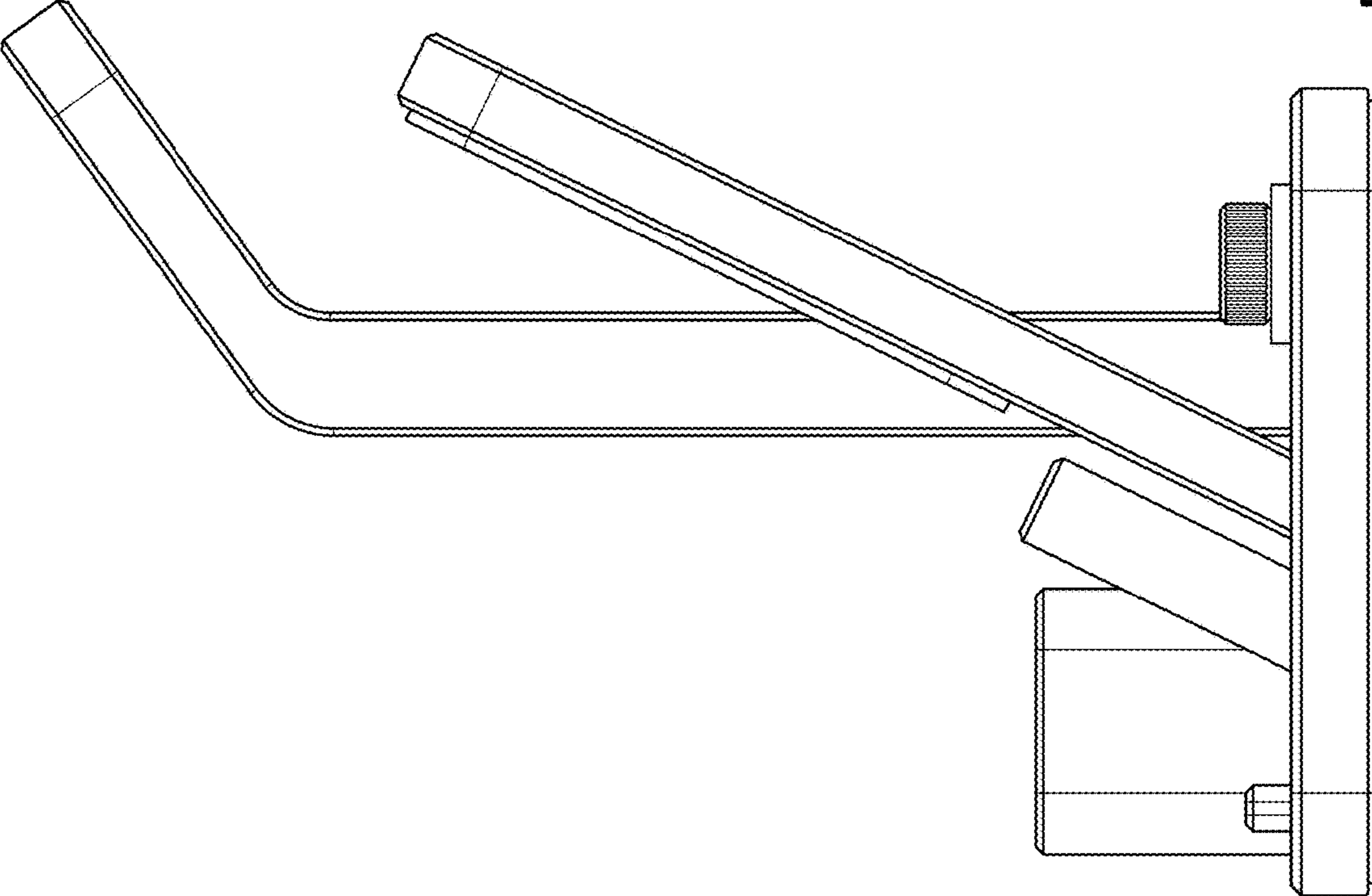


FIG. 5

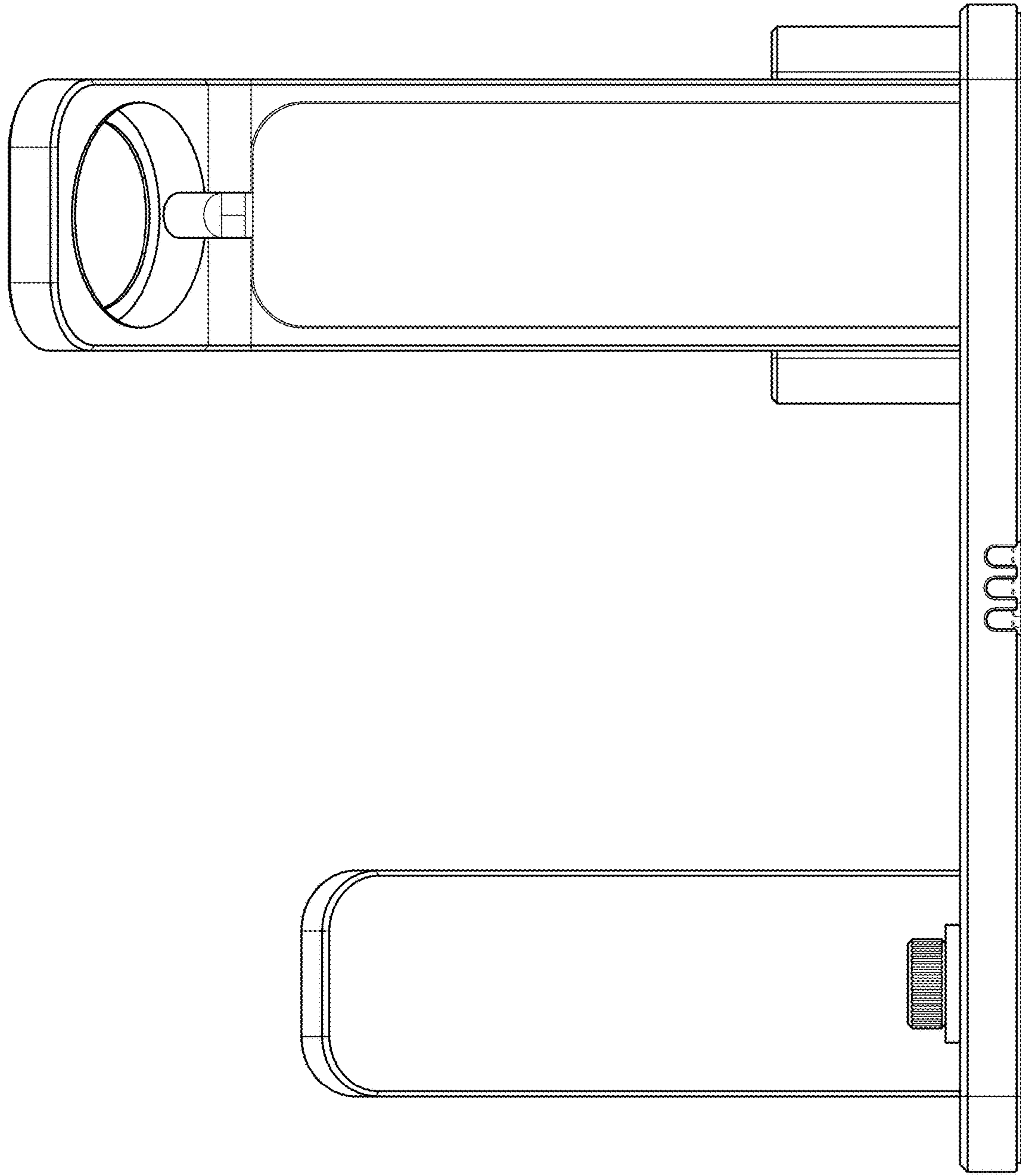


FIG. 6

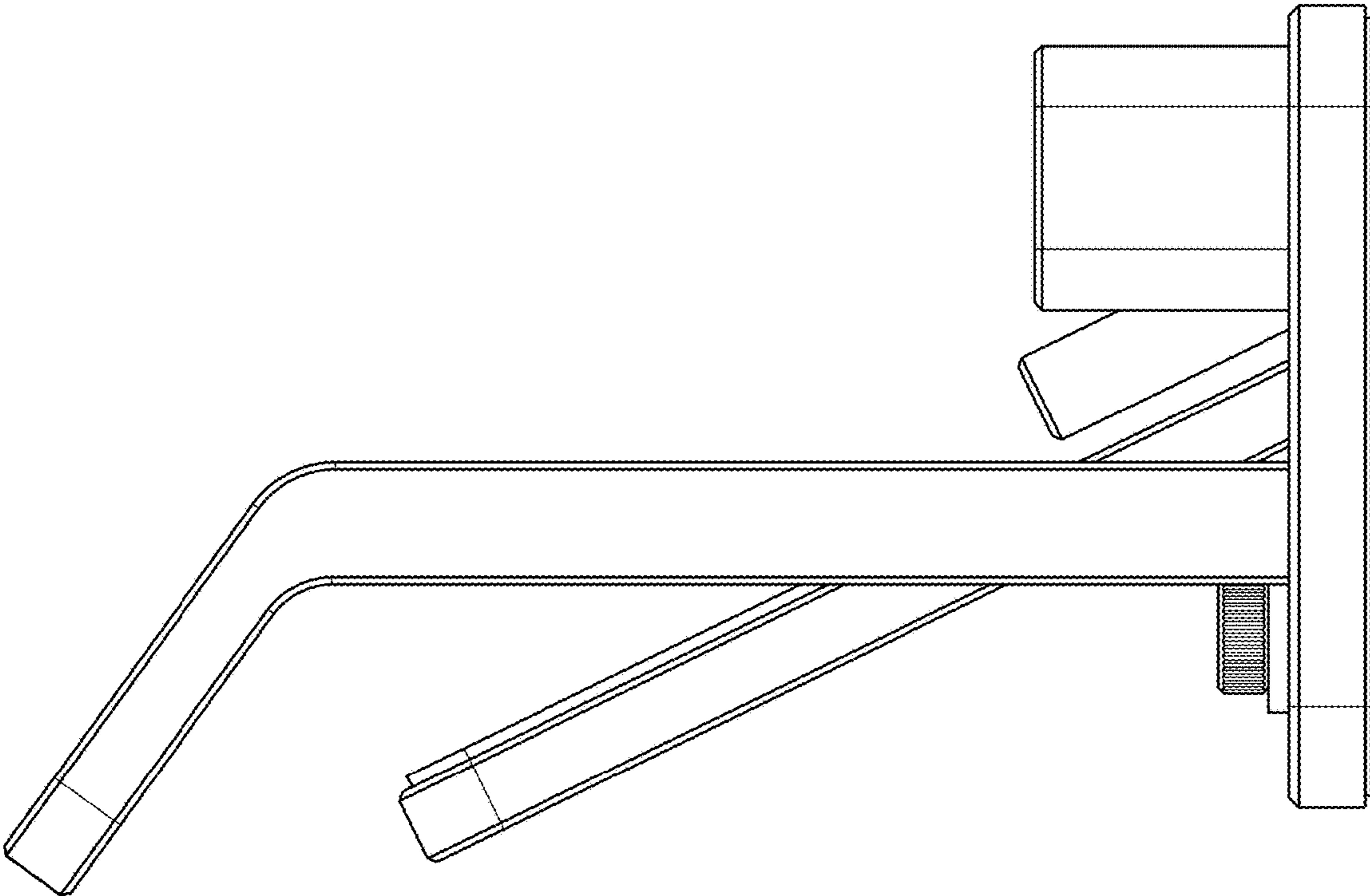


FIG. 7