



US00D826850S

(12) **United States Design Patent** (10) **Patent No.:** **US D826,850 S**
Ehara et al. (45) **Date of Patent:** **** Aug. 28, 2018**

(54) **CHARGING STATION FOR ELECTRONIC DEVICE**

2201/26; H01M 2/1022; H01M 2/1055;
H01M 10/44; H01M

(Continued)

(71) Applicant: **NINTENDO CO., LTD.**, Kyoto (JP)

(56) **References Cited**

(72) Inventors: **Yui Ehara**, Kyoto (JP); **Yuko Zenri**,
Kyoto (JP); **Junichiro Miyatake**, Kyoto
(JP); **Tetsuya Akama**, Kyoto (JP);
Hitoshi Tsuchiya, Kyoto (JP)

U.S. PATENT DOCUMENTS

D782,974 S * 4/2017 Ju D13/108
D790,463 S * 6/2017 Lai D13/110

(Continued)

(73) Assignee: **Nintendo Co., Ltd.**, Kyoto (JP)

OTHER PUBLICATIONS

(**) Term: **15 Years**

Amazon.com: Nintendo Switch Dock Set. Published May 19, 2017.
Retrieved from the internet at <<https://www.amazon.com/Nintendo-Switch-Dock-Set/dp/B06ZZ6FGGL/>>, Feb. 22, 2018. 1 page.*

(21) Appl. No.: **29/600,553**

Primary Examiner — Rosemary K Tarcza

Assistant Examiner — Christy M Nemeth

(22) Filed: **Apr. 13, 2017**

(74) *Attorney, Agent, or Firm* — Nixon & Vanderhye PC

(30) **Foreign Application Priority Data**

(57) **CLAIM**

Oct. 19, 2016 (JP) 2016-022754

The ornamental design for a charging station for electronic device, as shown and described.

(51) **LOC (11) Cl.** **13-02**

(52) **U.S. Cl.**

USPC **D13/108**

DESCRIPTION

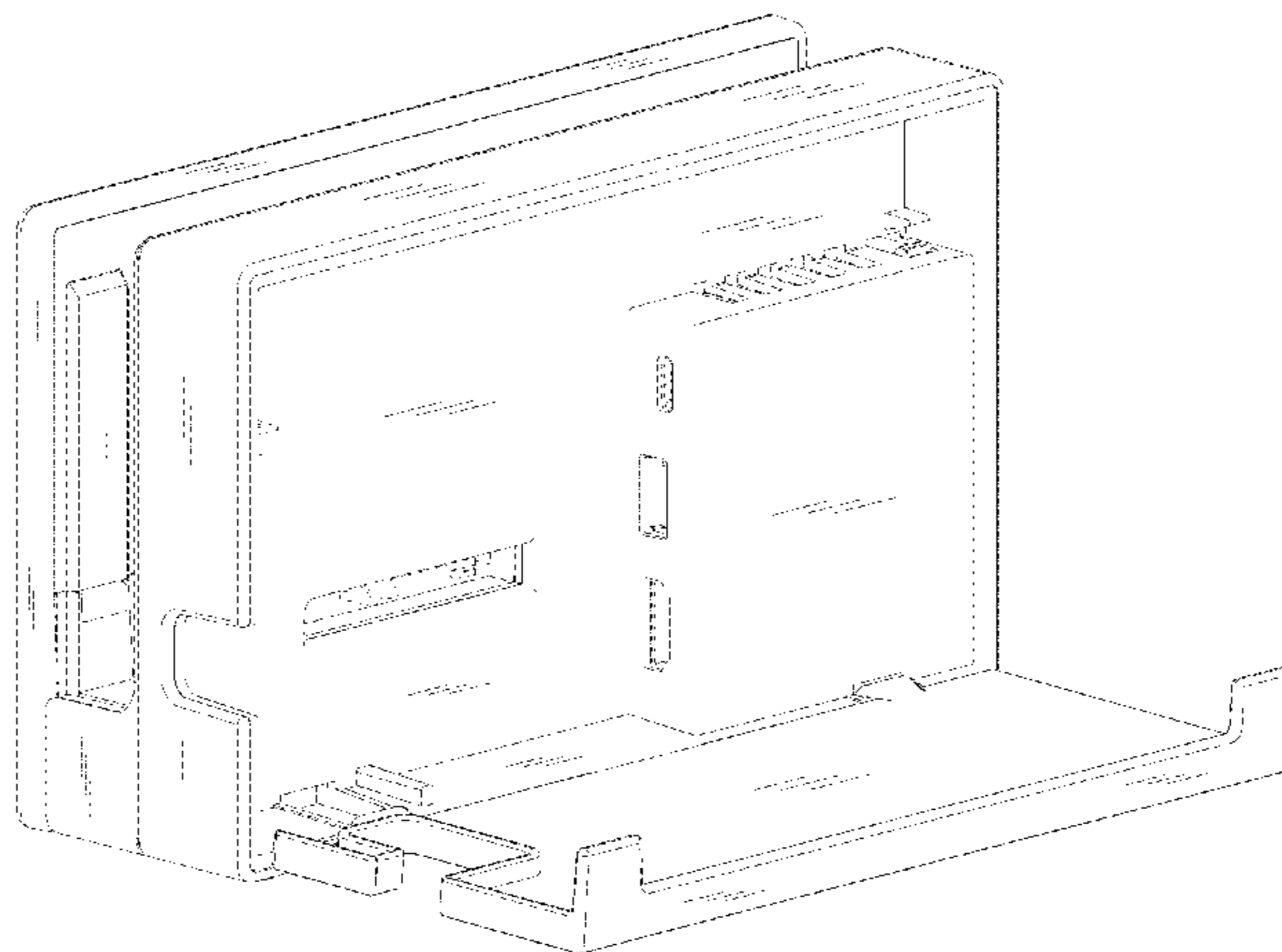
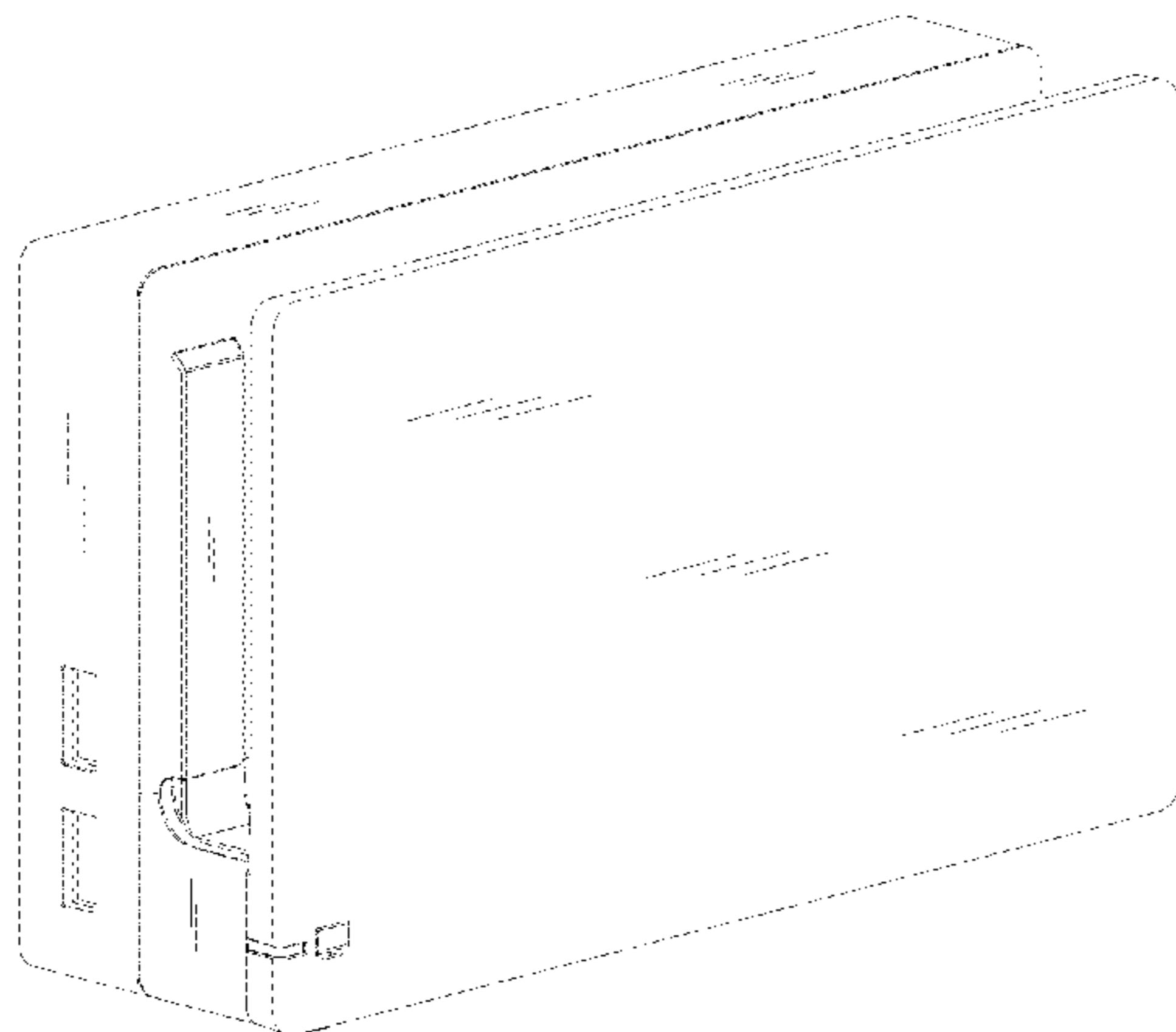
(58) **Field of Classification Search**

USPC D13/102, 103, 104, 105, 106, 107, 108,
D13/109, 110, 118, 119, 184, 199;
D14/203.3–203.8, 217, 248, 250–253,
D14/432, 434, 440, 450, 496; D3/201,
D3/218, 269, 301, 273, 303

CPC H02J 2001/008; H02J 3/32; H02J 3/008;
H02J 7/0027; H02J 7/0013; H02J 7/0054;
H02J 7/00; H02J 7/025; H02J 7/0042;
H02J 7/0044; H02J 7/0045; H02J 7/0003;
H02J 7/0055; H02J 7/0057; B60R 16/03;
B60L 11/1809; B60L 11/1861; B60L
11/182; H01R 13/6675; H01R 13/70;
H01R 13/71; H01R 13/66; H01R

FIG. 1 is a front, left side perspective view of a charging station for electronic device showing our new design; FIG. 2 is a back right side perspective view thereof; FIG. 3 is a front view thereof; FIG. 4 is a top view thereof; FIG. 5 is a back view thereof; FIG. 6 is a bottom view thereof; FIG. 7 is a right view thereof; FIG. 8 is a left view thereof; FIG. 9 is a back, right side perspective view of the charging station for electronic device, with the lid in an open state; and, FIG. 10 is a front, left side perspective view of the charging station for electronic device showing an electronic device therein, for reference.

(Continued)



The broken lines shown in FIGS. 3-4 and 6-9 show portions of the charging station that form no part of the claimed design. The broken lines shown in FIG. 10 show environmental structure and form no part of the claimed design.

1 Claim, 10 Drawing Sheets

(58) **Field of Classification Search**

CPC 10/46; H01M 10/425; H01M 2/02; H01M 2/022; H01M 2/0202; H01M 2/0207; H01M 2/0212; H01M 10/4257; H01M 10/0436; H01M 10/48; H01M 2200/30; H01M 2250/30; H01M 2250/40; H01F 38/14; Y02E 60/12; Y02E 60/122; Y02E 60/124; Y02E 60/50; Y02T 90/14; Y02T 90/122; Y02T 90/128; Y02T 90/163; H05K 11/02

See application file for complete search history.

(56) **References Cited**

U.S. PATENT DOCUMENTS

D806,023	S	*	12/2017	Xu	D13/108
D809,455	S	*	2/2018	Perez	D13/108
2013/0271067	A1	*	10/2013	Yu	H02J 7/0044 320/107

* cited by examiner

Fig.1

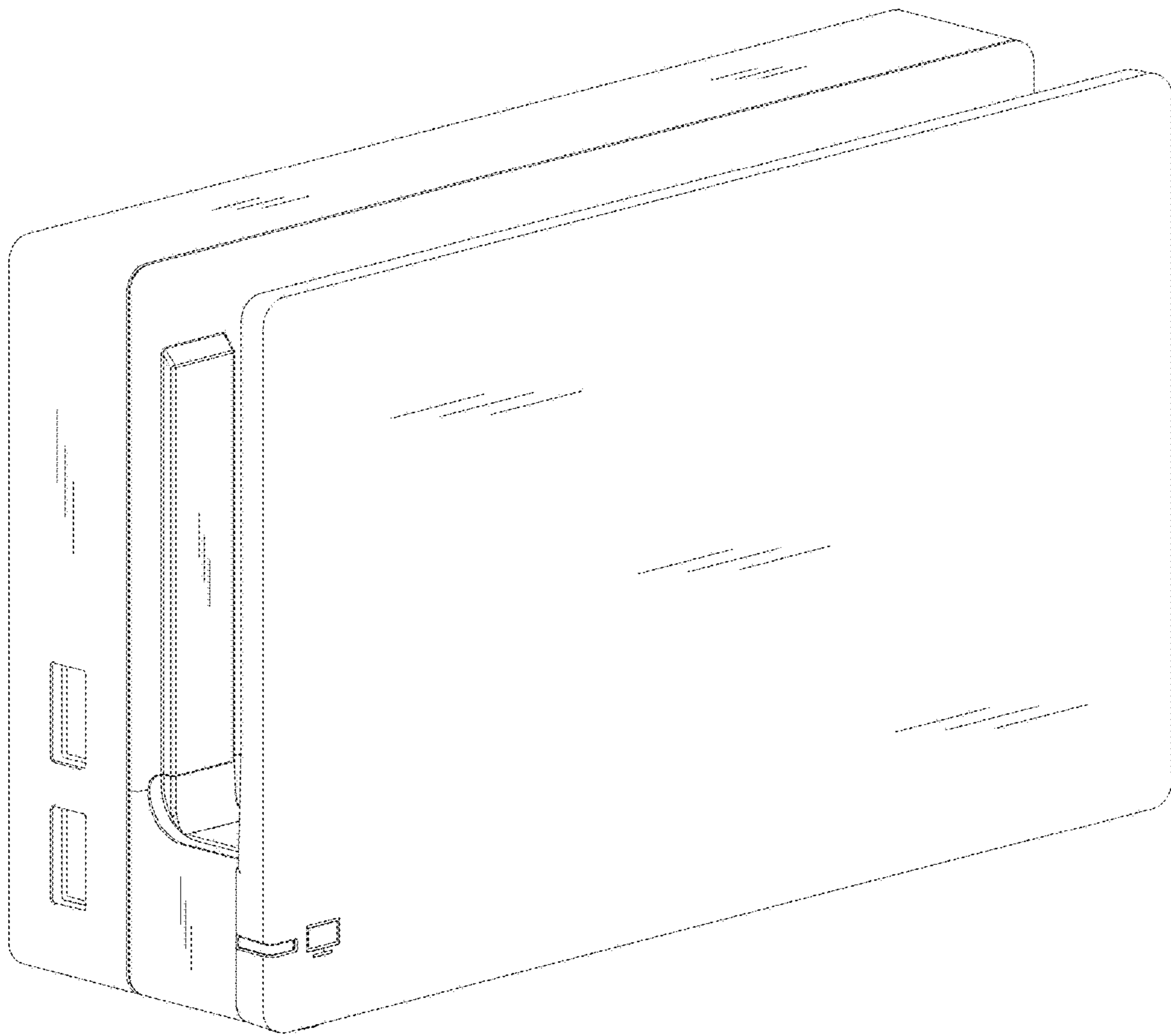


Fig. 2

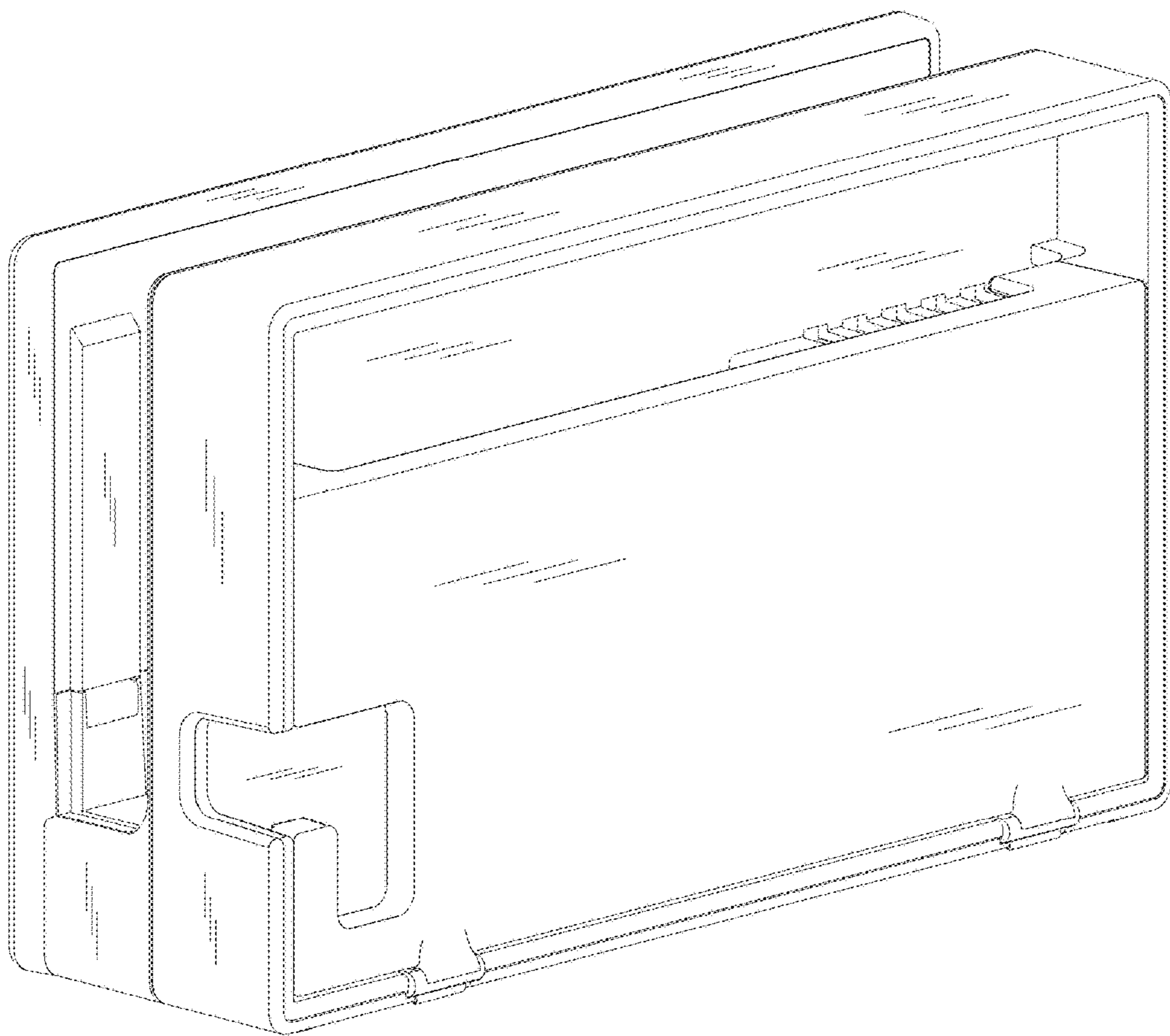


Fig. 3



Fig. 4

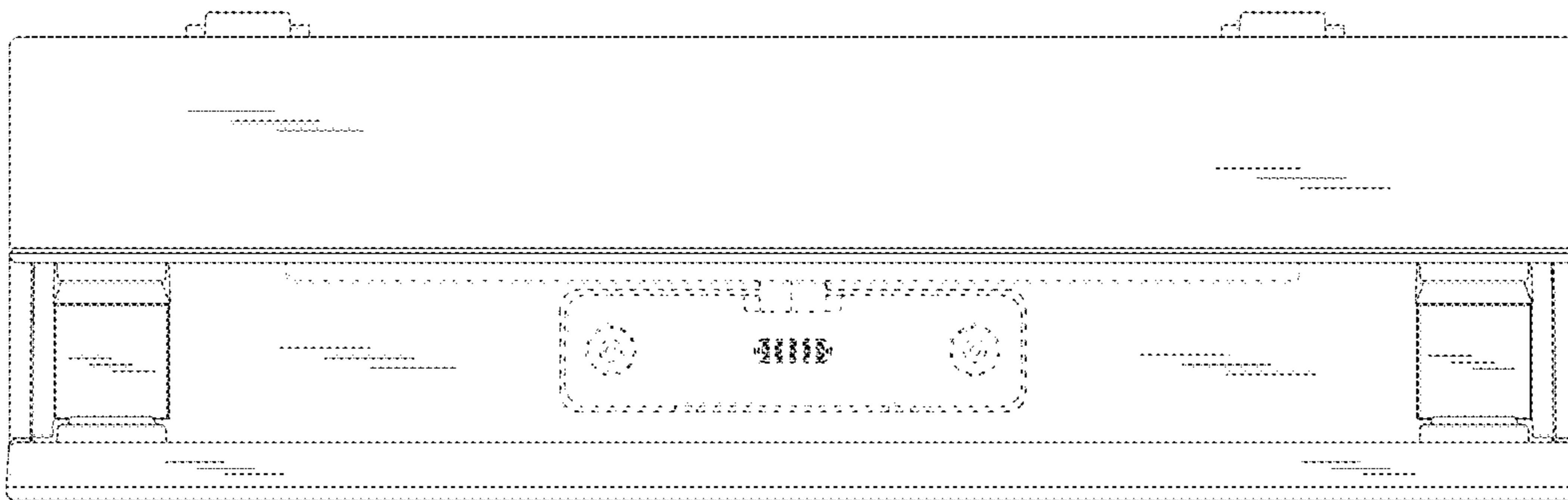


Fig. 5

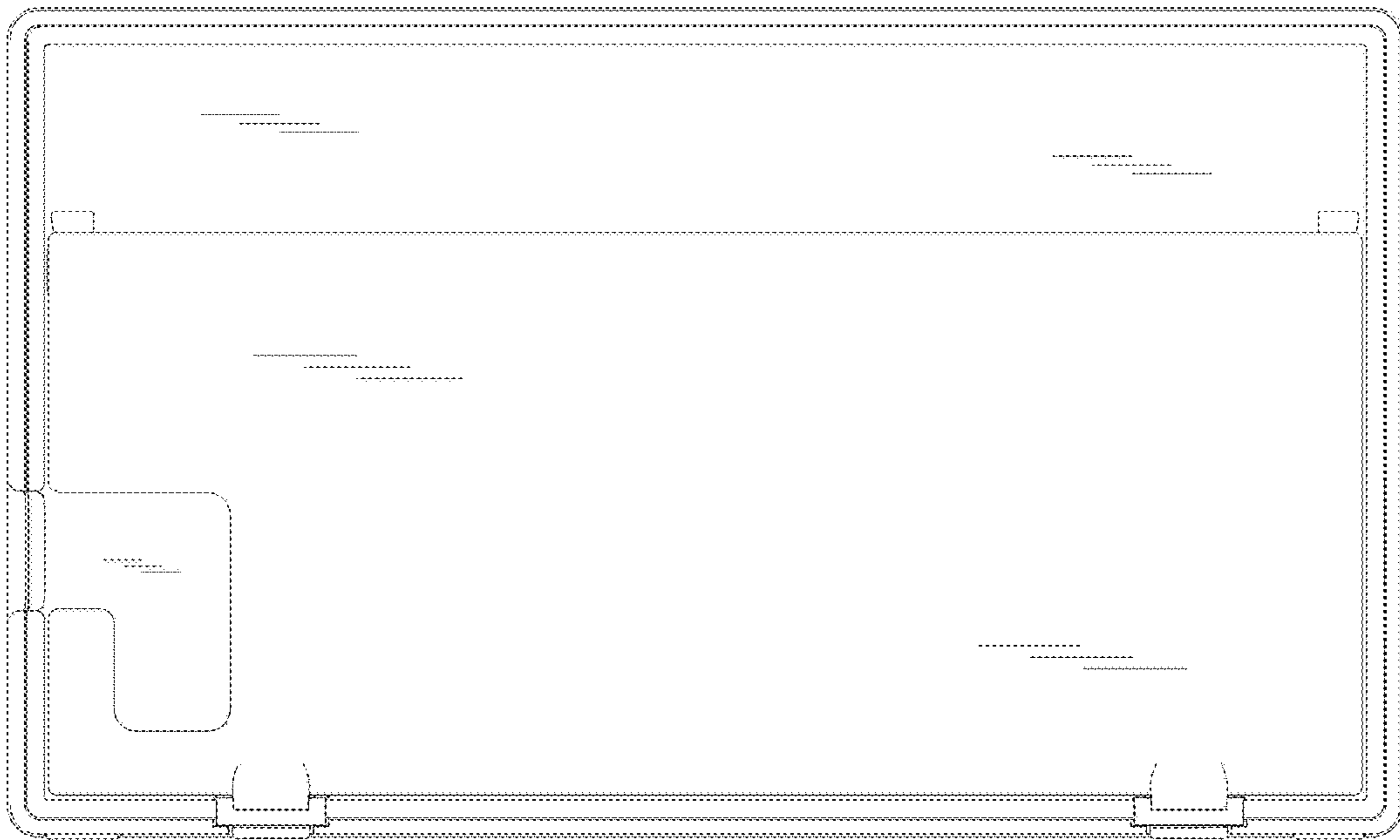


Fig. 6

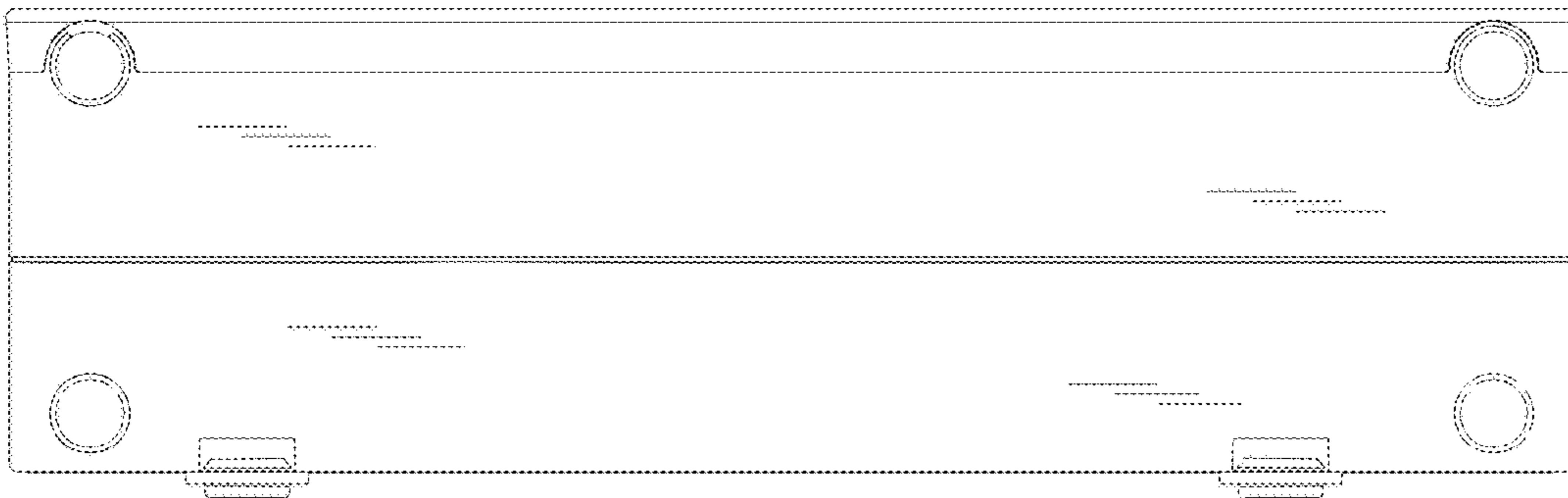


Fig. 7

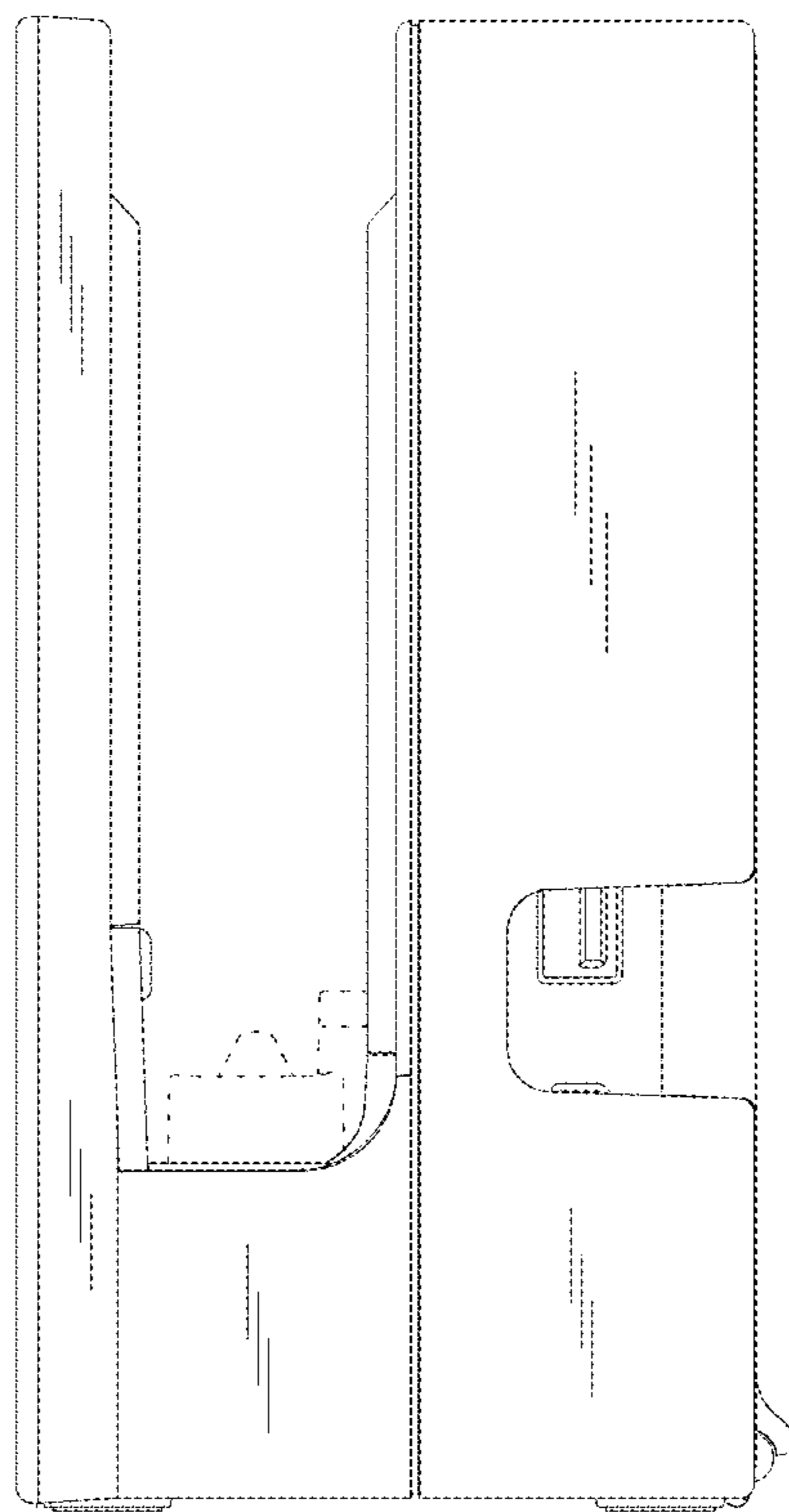


Fig. 8

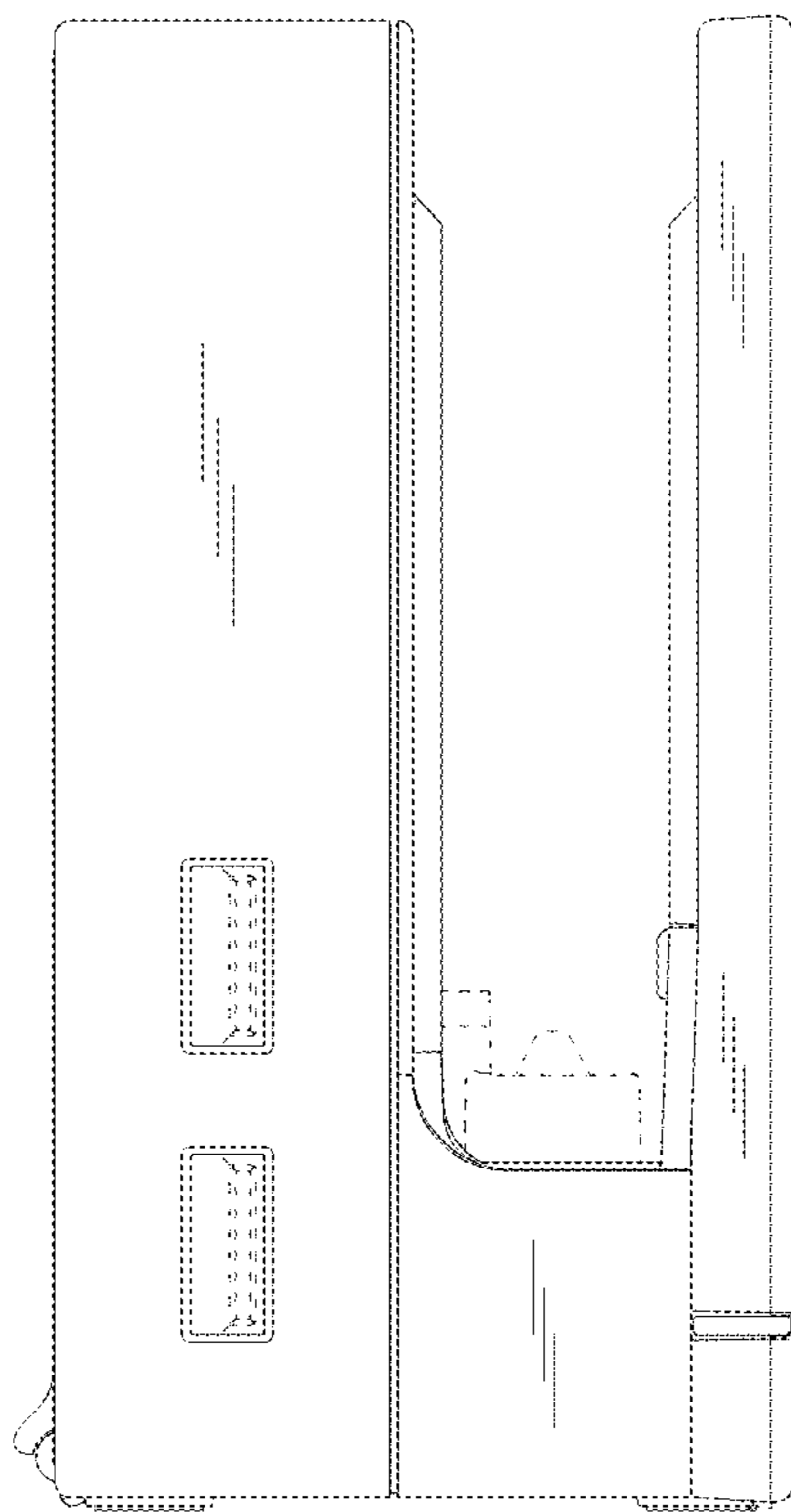


Fig. 9

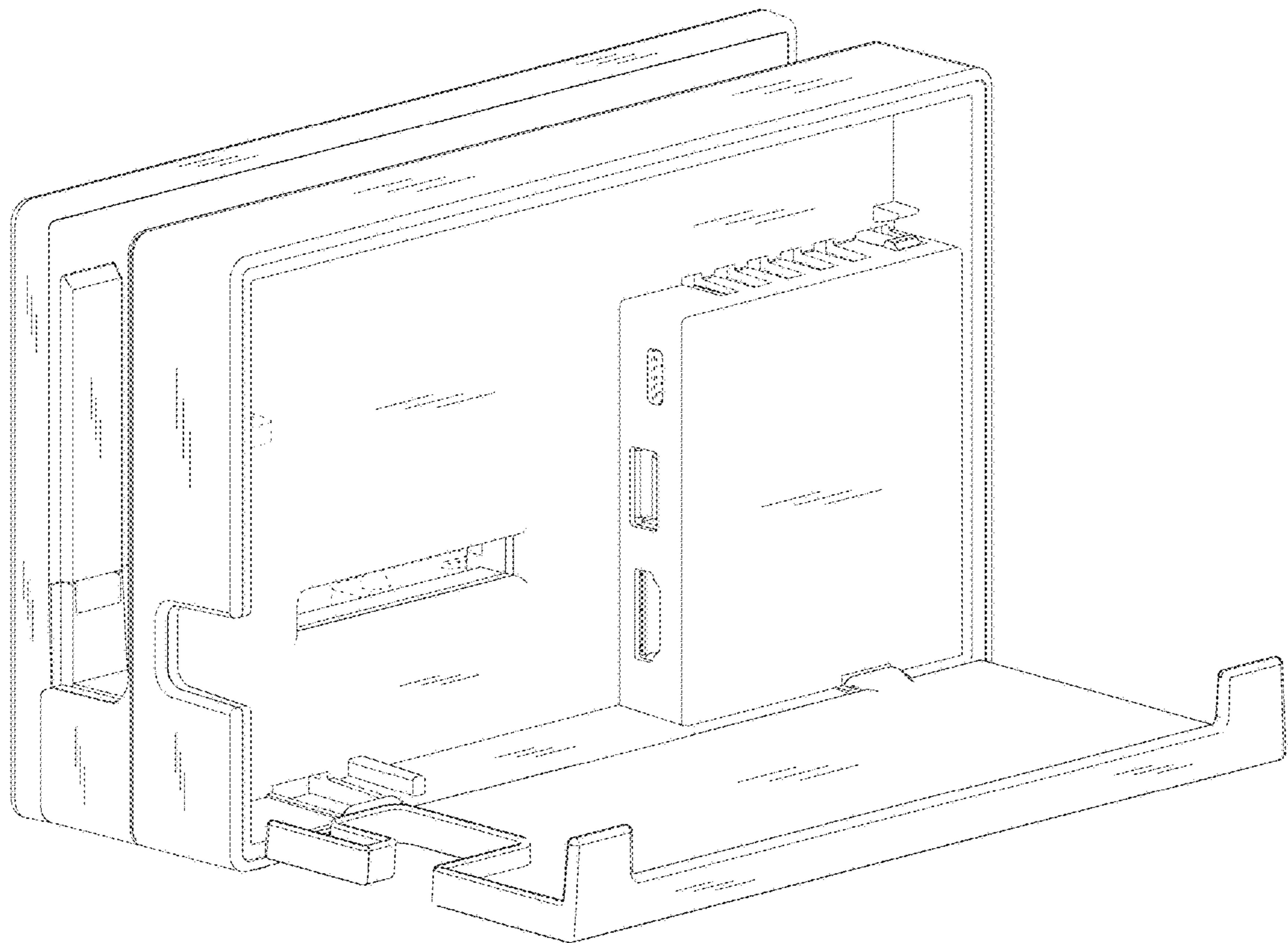


Fig.10

