



US00D826849S

(12) **United States Design Patent** (10) **Patent No.:** **US D826,849 S**
Maibach et al. (45) **Date of Patent:** **** Aug. 28, 2018**

- (54) **PORTABLE POWER SUPPLY**
- (71) Applicant: **MTD PRODUCTS INC**, Valley City, OH (US)
- (72) Inventors: **Ryan W. Maibach**, Medina, OH (US); **Jay E. Maggard**, Seven Hills, OH (US)
- (73) Assignee: **MTD PRODUCTS INC**, Valley City, OH (US)
- (**) Term: **15 Years**
- (21) Appl. No.: **29/585,363**
- (22) Filed: **Nov. 23, 2016**
- (51) **LOC (11) Cl.** **13-02**
- (52) **U.S. Cl.**
USPC **D13/108**
- (58) **Field of Classification Search**
USPC D13/102-110, 118-119, 184, 199; D14/356, 432
CPC Y02E 60/10; Y02E 60/12; Y02E 60/122; Y02E 60/124; Y02E 60/50; H01M 2/02; H01M 2/022; H01M 2/0202; H01M 2/0207; H01M 2/0212; H01M 2/1061; H01M 2/1022; H01M 2/1055; H01M 2/1066; H01M 2/105; H01M 2/20; H01M 2/204; H01M 2/206; H01M 10/44; H01M 10/46; H01M 10/465; H01M 10/482; H01M 2200/30; H01M 2250/30; H01M 2250/40; H02J 7/00; H02J 7/0003; H02J 7/0011; H02J 7/0013; H02J 7/0054; H02J 7/0055; H02J 7/0057; H02J 2007/0062
See application file for complete search history.

(56) **References Cited**
U.S. PATENT DOCUMENTS

- D234,851 S * 4/1975 Tyson et al. D14/149
- D302,511 S * 8/1989 Porcelli D7/317

- D466,077 S 11/2002 Wang
- D480,357 S 10/2003 Miao
- D484,852 S 1/2004 James et al.
- D486,446 S 2/2004 Hriscu et al.
- D502,356 S * 3/2005 Smaldone D7/321
- D541,215 S * 4/2007 Vu D13/108
- D542,221 S 5/2007 Hriscu et al.
- D543,144 S 5/2007 Hussaini et al.
- D611,406 S 3/2010 Oikawa
- D642,521 S * 8/2011 Markowitz D13/108
- D654,852 S 2/2012 Hansen
- D657,740 S * 4/2012 Prat-Pfister D13/108
- D658,581 S 5/2012 Reade et al.
- D660,791 S * 5/2012 Murata D13/107
- D662,051 S 6/2012 Saunders et al.
- D667,788 S 9/2012 Mai
- D673,113 S 12/2012 Fowler
- D674,748 S 1/2013 Ferber et al.
- D676,378 S * 2/2013 Kim D13/108
- D694,704 S 12/2013 Cottle et al.

(Continued)

Primary Examiner — Rosemary K Tarcza
Assistant Examiner — Nathaniel D. Buckner
(74) *Attorney, Agent, or Firm* — Wegman, Hessler & Vanderburg

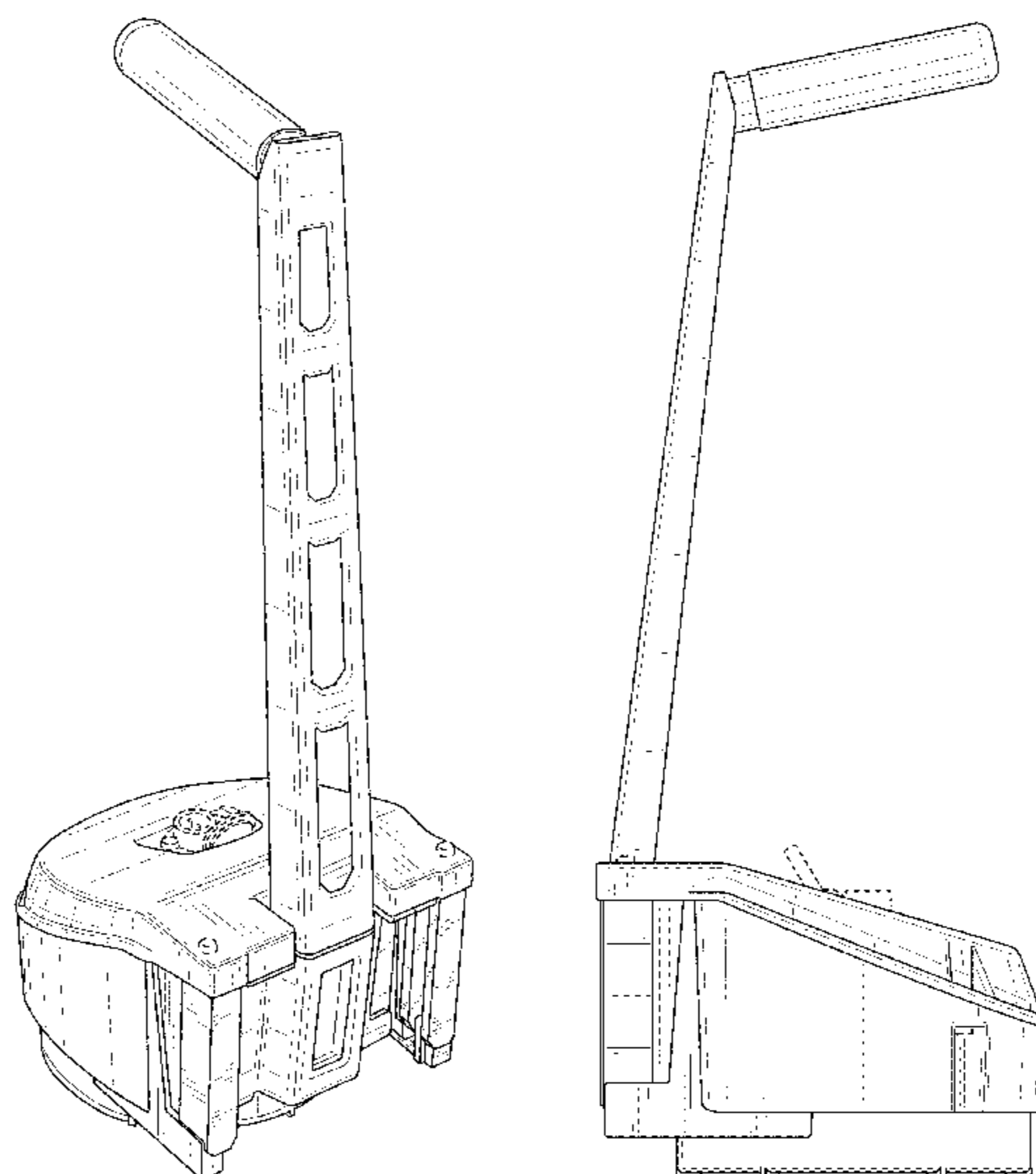
(57) **CLAIM**

The ornamental design for a portable power supply, as shown and described.

DESCRIPTION

FIG. 1 is a perspective view of a portable power supply showing our new design;
FIG. 2 is a front view thereof;
FIG. 3 is a rear view thereof;
FIG. 4 is a left side view thereof;
FIG. 5 is a right side view thereof;
FIG. 6 is a top view; and,
FIG. 7 is a bottom view.
The broken lines in the figures depict portions of the article which form no part of the claimed design.

1 Claim, 7 Drawing Sheets



(56)

References Cited

U.S. PATENT DOCUMENTS

D701,490 S 3/2014 Inskip
D704,626 S 5/2014 Li
D716,787 S * 11/2014 Takabatake D14/252
D727,846 S 4/2015 Wen
D737,759 S 9/2015 Liu
D742,961 S * 11/2015 Backs D18/50
D743,335 S 11/2015 Chang
D751,985 S 3/2016 Matthew
D753,642 S * 4/2016 Imuro D14/253
D760,164 S 6/2016 Aida et al.
D763,185 S 8/2016 Wen
D772,965 S 11/2016 Westlake et al.
9,730,500 B1 * 8/2017 Provost A45D 27/29
D806,024 S * 12/2017 Swen D13/108

* cited by examiner

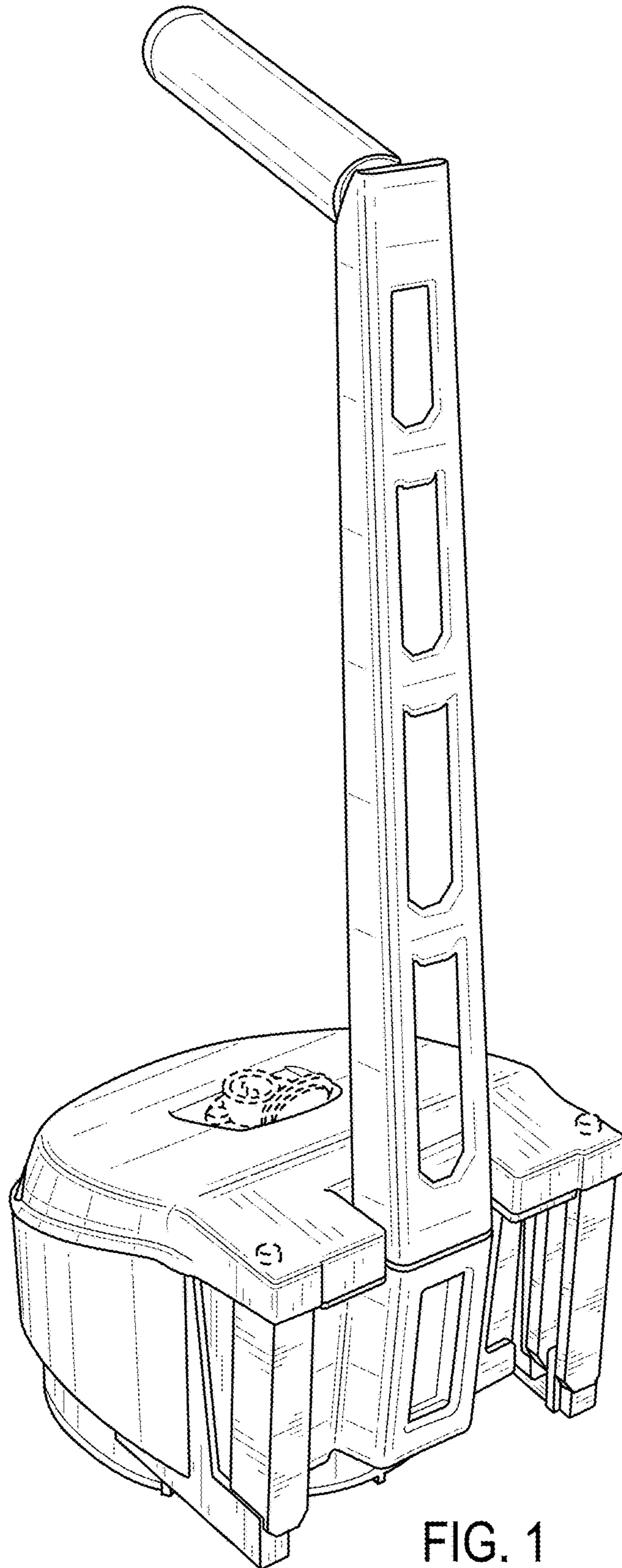


FIG. 1

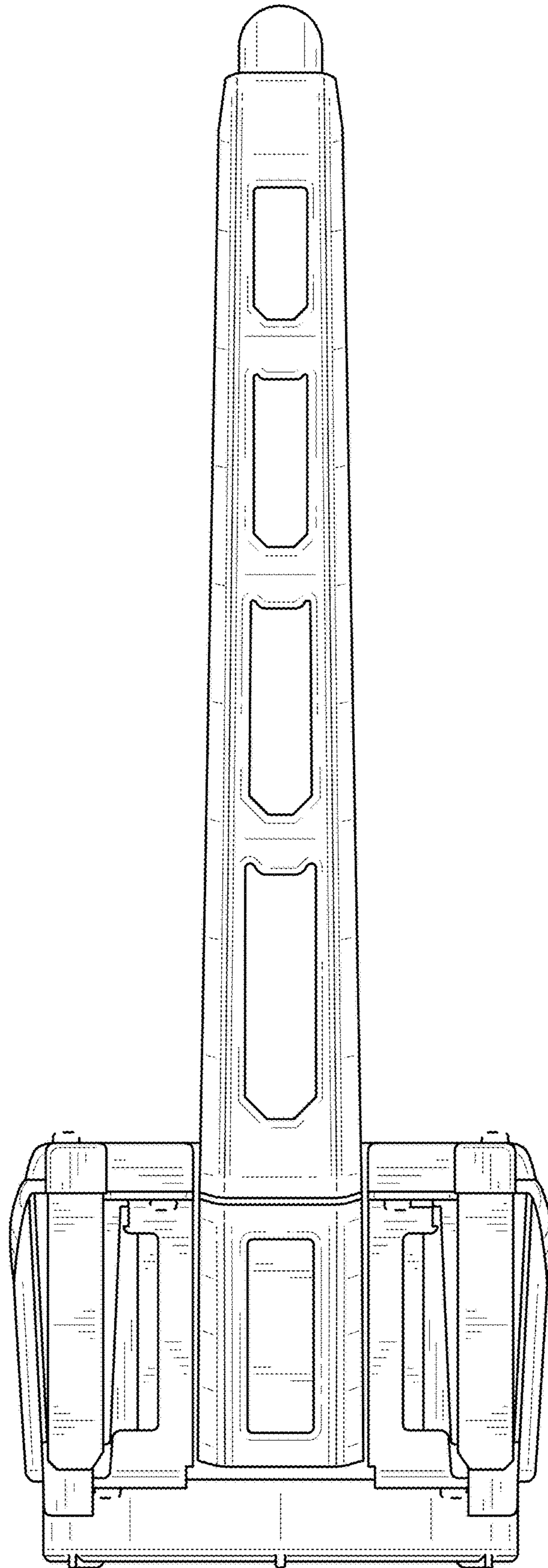


FIG. 2

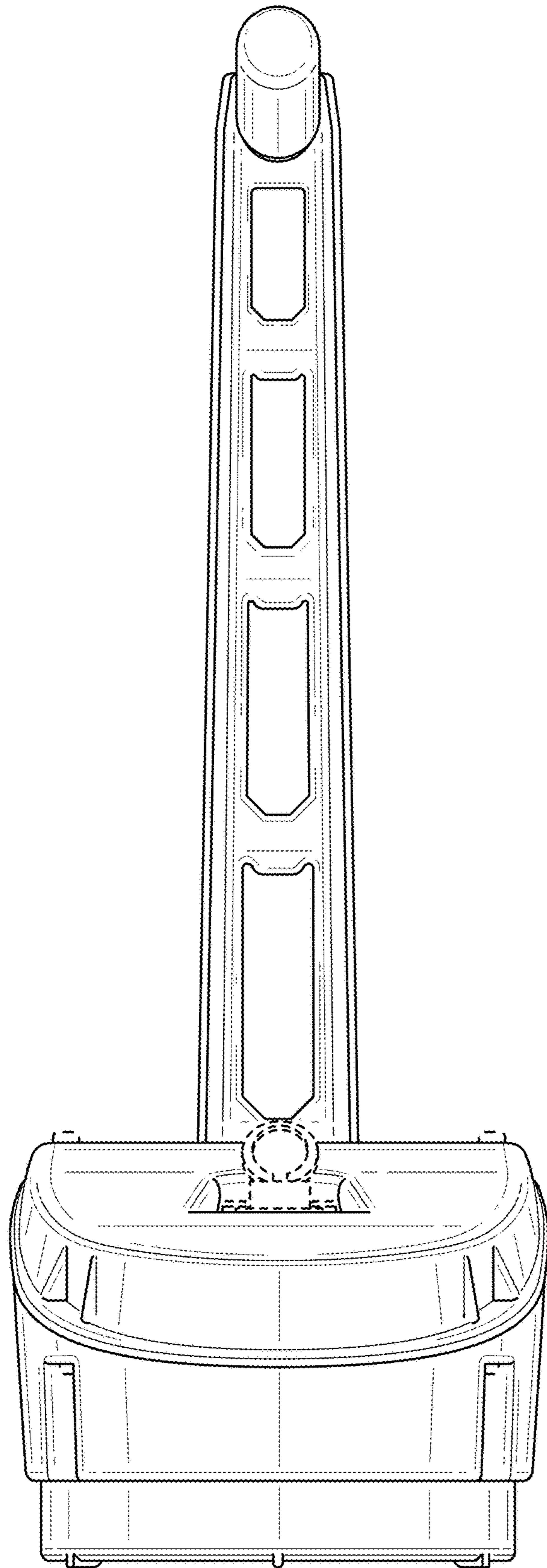


FIG. 3

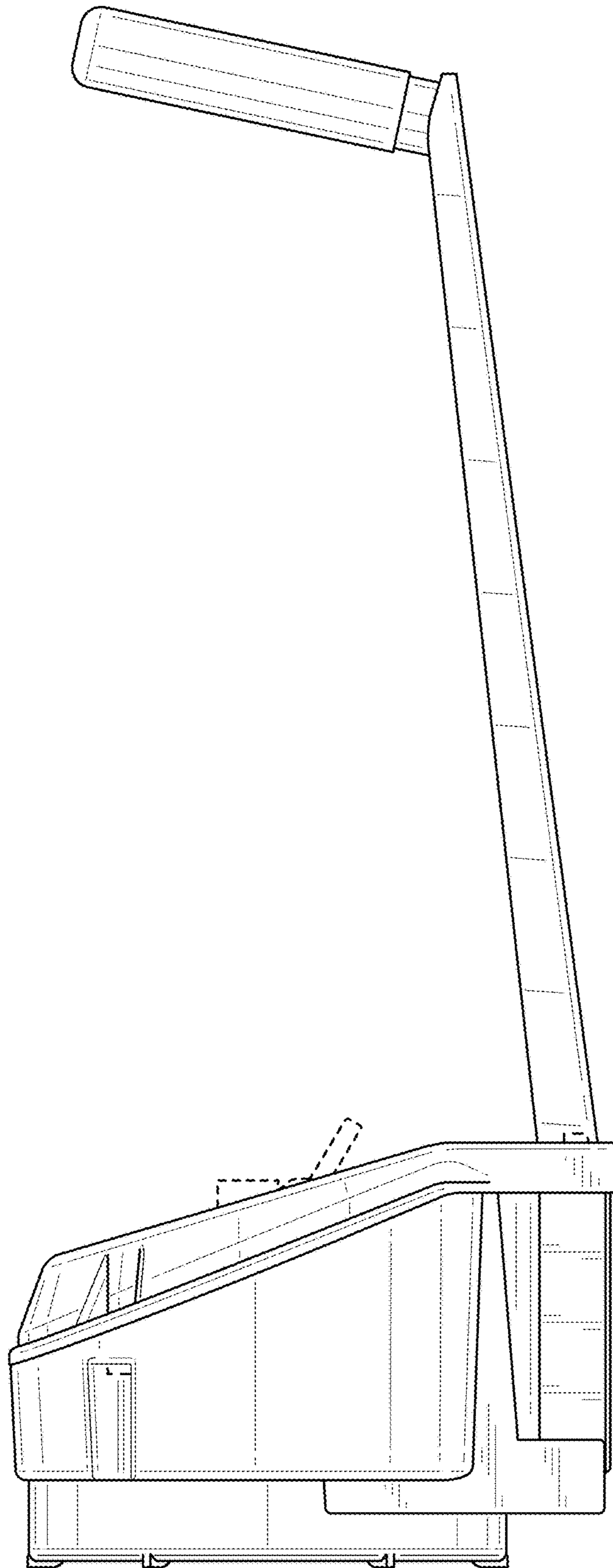


FIG. 4

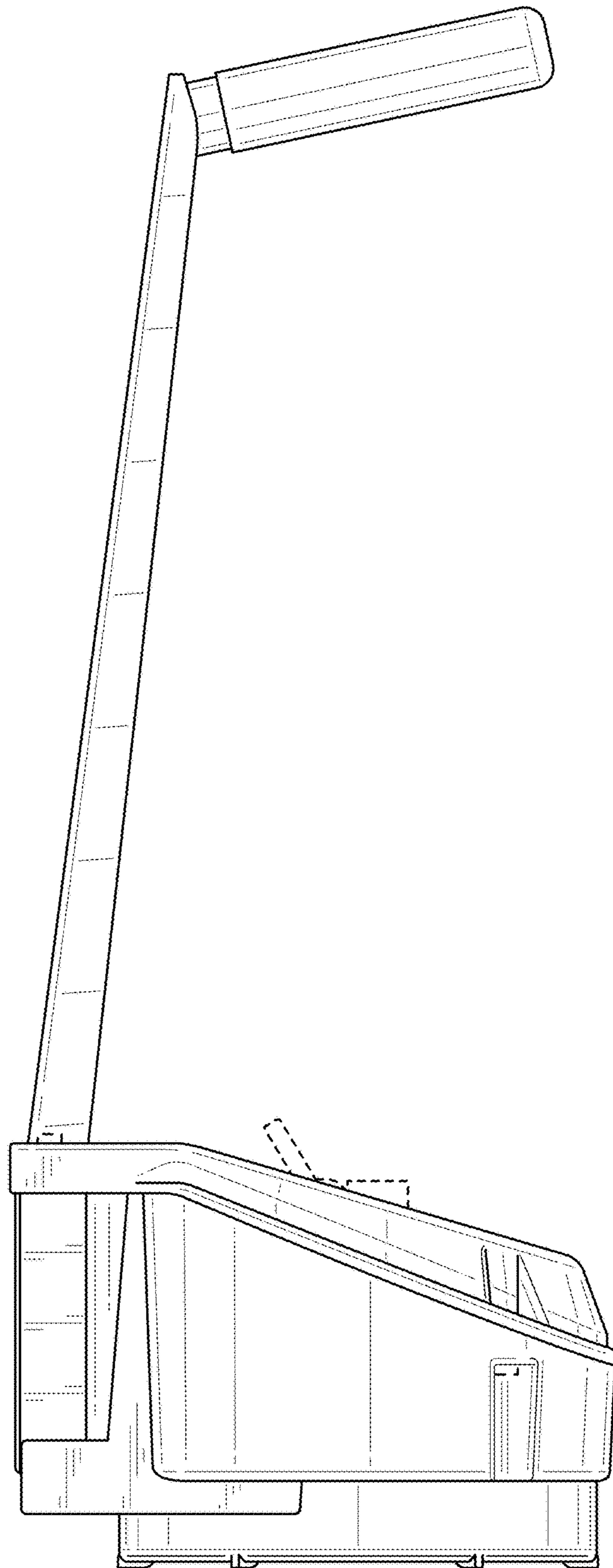


FIG. 5

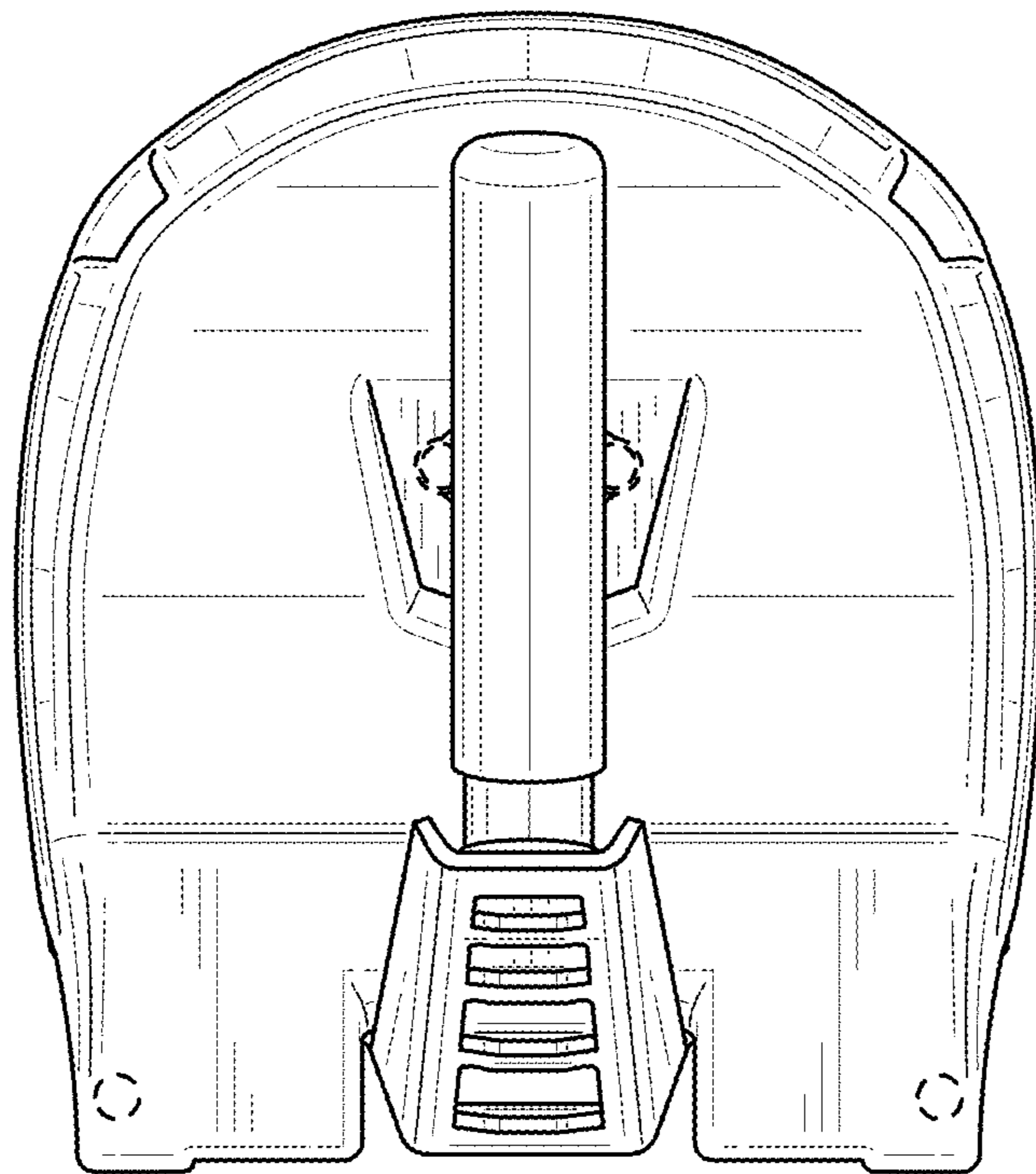


FIG. 6

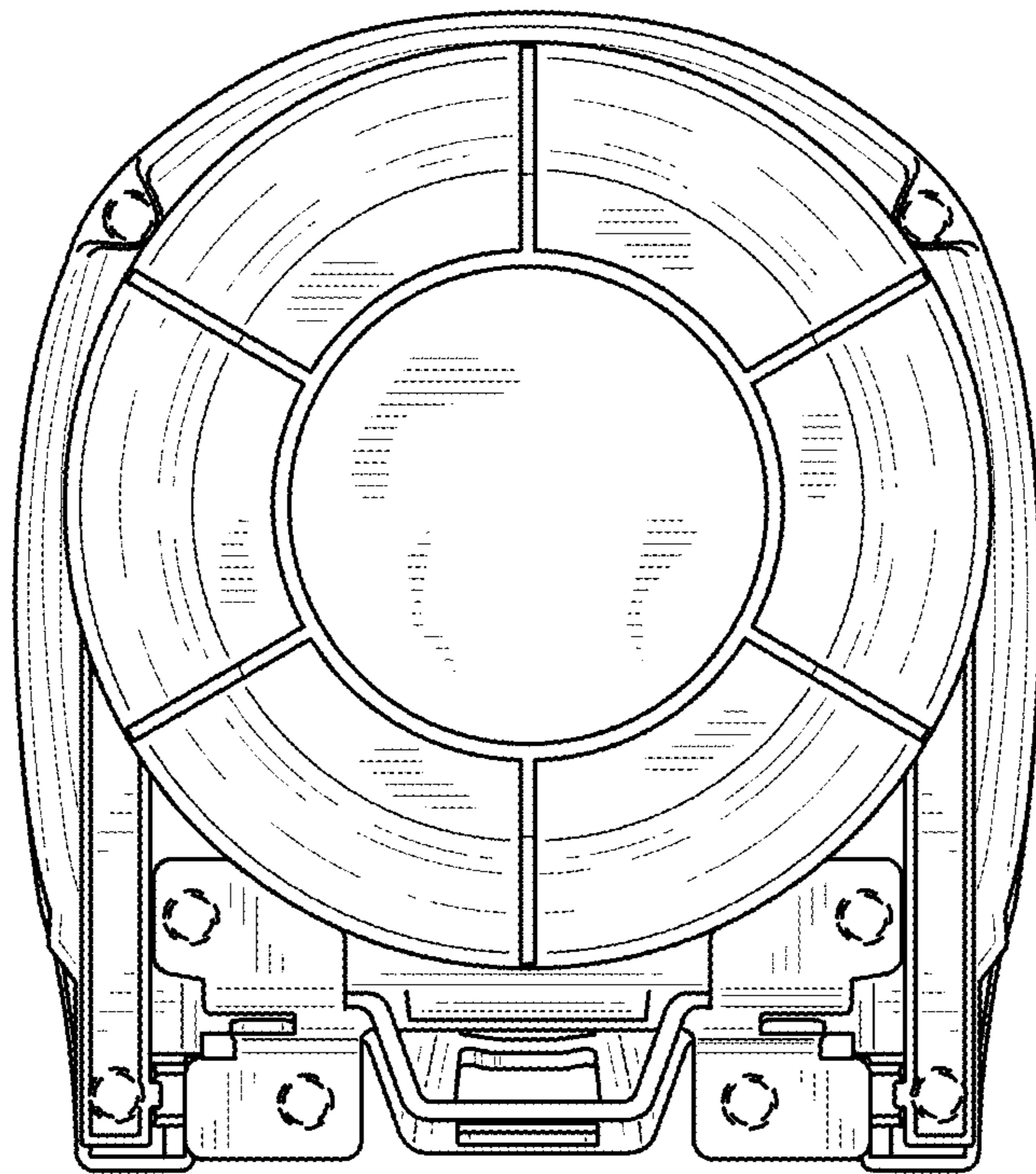


FIG. 7