



US00D826847S

(12) **United States Design Patent** (10) **Patent No.:** **US D826,847 S**
Kim et al. (45) **Date of Patent:** **** Aug. 28, 2018**

(54) **BATTERY PACK**

(71) Applicant: **LG CHEM, LTD.**, Seoul (KR)

(72) Inventors: **Hyeon Kyu Kim**, Daejeon (KR); **Ki Youn Kim**, Daejeon (KR); **Jae Jung Seol**, Daejeon (KR); **Bum Hyun Lee**, Daejeon (KR); **Jae Ki Lee**, Daejeon (KR); **Yeo Joo Choi**, Daejeon (KR)

(73) Assignee: **LG CHEM, LTD.**, Seoul (KR)

(**) Term: **15 Years**

(21) Appl. No.: **29/577,537**

(22) Filed: **Sep. 13, 2016**

(30) **Foreign Application Priority Data**

Mar. 15, 2016 (KR) 30-2016-0012005

(51) **LOC (11) Cl.** **13-02**

(52) **U.S. Cl.**
USPC **D13/103**

(58) **Field of Classification Search**
USPC D13/102-110, 118, 199, 184;
D14/203.3-203.8, 217, 240, 248,
D14/250-253, 432, 434, 440, 450, 496;
D3/201, 207-209, 218, 269, 212, 301,
D3/273, 303

CPC Y02E 60/12; Y02E 60/122; Y02E 60/124;
Y02E 60/50; H01M 2/02; H01M 2/022;
H01M 2/0202; H01M 2/0207; H01M
2/0212; H01M 2/1061; H01M 2/1022;
H01M 2/1055; H01M 2/1066; H01M
2/105; H01M 2/204; H01M 10/4257;
H01M 10/0436; H01M 10/48

See application file for complete search history.

(56) **References Cited**

U.S. PATENT DOCUMENTS

D347,210 S * 5/1994 Sharpe D13/164
D362,003 S * 9/1995 Claudio D13/184

D363,722 S * 10/1995 Aldridge D13/184
D509,184 S * 9/2005 Schuttler D13/110
D602,859 S * 10/2009 Kaiser D13/101
D731,412 S * 6/2015 Gao D13/103

(Continued)

FOREIGN PATENT DOCUMENTS

JP 201218073 * 7/2013
KR 3020160011997 * 3/2016

(Continued)

OTHER PUBLICATIONS

LG Chem Range of Battery posted by Solar Choice Staff, posted date Oct. 25, 2015, © SolarChoice.com, [online], [site visited Jun. 30, 2017]. Available from Internet, <URL: <https://www.solarchoice.net.au/blog/lg-chem-range-battery-storage-products-australia>>.*

(Continued)

Primary Examiner — Cynthia Ramirez

Assistant Examiner — Laura H Yu

(74) *Attorney, Agent, or Firm* — Dentons US LLP

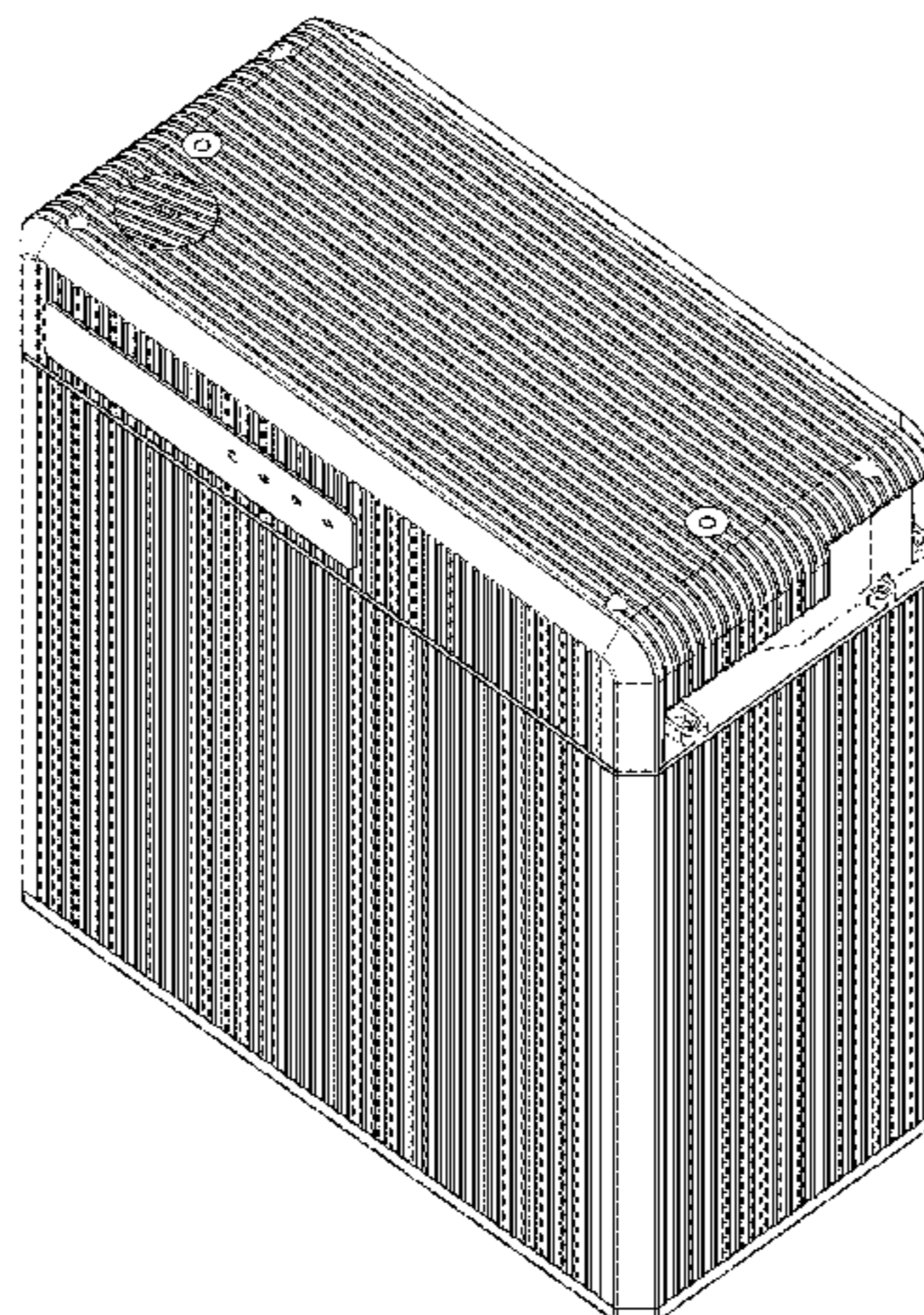
(57) **CLAIM**

We claim the ornamental design for a battery pack, as shown and described.

DESCRIPTION

FIG. 1 is a perspective view of the battery pack showing our new design;
FIG. 2 is a front view of the battery pack;
FIG. 3 is a rear view of the battery pack;
FIG. 4 is a left-side view of the battery pack;
FIG. 5 is a right-side view of the battery pack;
FIG. 6 is a top plan view of the battery pack; and,
FIG. 7 is a bottom plan view of the battery pack.
The broken lines in the figures illustrating portions of the battery pack form no part of the claimed design.

1 Claim, 6 Drawing Sheets



(56)

References Cited

U.S. PATENT DOCUMENTS

D768,070	S	*	10/2016	Kim	D13/103
D768,071	S	*	10/2016	Kim	D13/103
D768,072	S	*	10/2016	Kim	D13/103
D768,073	S	*	10/2016	Kim	D13/103
D789,899	S	*	6/2017	von der Lippe	D13/184
2013/0316212	A1	*	11/2013	Lee	H01M 2/0245 429/99
2013/0323551	A1	*	12/2013	Lee	H01M 2/1077 429/83
2017/0069892	A1	*	3/2017	Bohney	H01M 2/14

FOREIGN PATENT DOCUMENTS

KR	3020160012000	*	3/2016
KR	3020160012005	*	3/2016

OTHER PUBLICATIONS

Everything you Need to know about Tesla posted by Danielle Muoio, posted date Nov. 19, 2016, © BusinessInsider.com, [online], [site visited Jun. 30, 2017]. Available from Internet, <URL: <http://www.businessinsider.com/everything-about-tesla-powerwall-2-battery-2016-11>>.*

Battery Chemistry Types posted by Solar Choice Staff, posted date Jul. 6, 2016, © SolarChoice.com, [online], [site visited Jun. 30, 2017]. Available from Internet, <URL: <https://www.solarchoice.net.au/blog/battery-types-home-energy-storage>>.*

LG Chem Home Storage, posted date Sep. 8, 2016 © PV Europe, [online], [site visited Jun. 30, 2017]. Available from Internet, <URL: <http://www.pveurope.eu/Products/Storage/Batteries/LG-Chem-presents-home-storage-series-with-48-and-400-Volts>>.*

Power Option Panasonic, posted date Mar. 3, 2016 © Newsroom Global, [online], [site visited Jun. 30, 2017]. Available from Internet, <URL: <http://news.panasonic.com/global/topics/2016/44857.html>>.*

Award 2016 Winner, posted by Intersolar posted date Jun. 29, 2016 © YouTube.com, [online], [site visited Jun. 30, 2017]. Available from Internet, <URL: <https://www.youtube.com/watch?v=7zsgUXeFBfE>>.*

Panasonic Tests Solar Battery, posted by Lindsay Handmer posted date Jun. 3, 2015 © Gizmodo.com, [online], [site visited Jun. 30, 2017]. Available from Internet, <URL: <https://www.gizmodo.com.au/2015/06/panasonic-tests-solar-battery-storage-system-in-australia/>>.*

LG Chem Manual, posted by LG CHEM posted date unknown © LGCHEM.com, [online], [site visited Jun. 30, 2017]. Available from Internet, <URL: [http://www.lgchem.com/upload/file/product/ESS_LGChem_ENG\[0\].pdf](http://www.lgchem.com/upload/file/product/ESS_LGChem_ENG[0].pdf)>.*

* cited by examiner

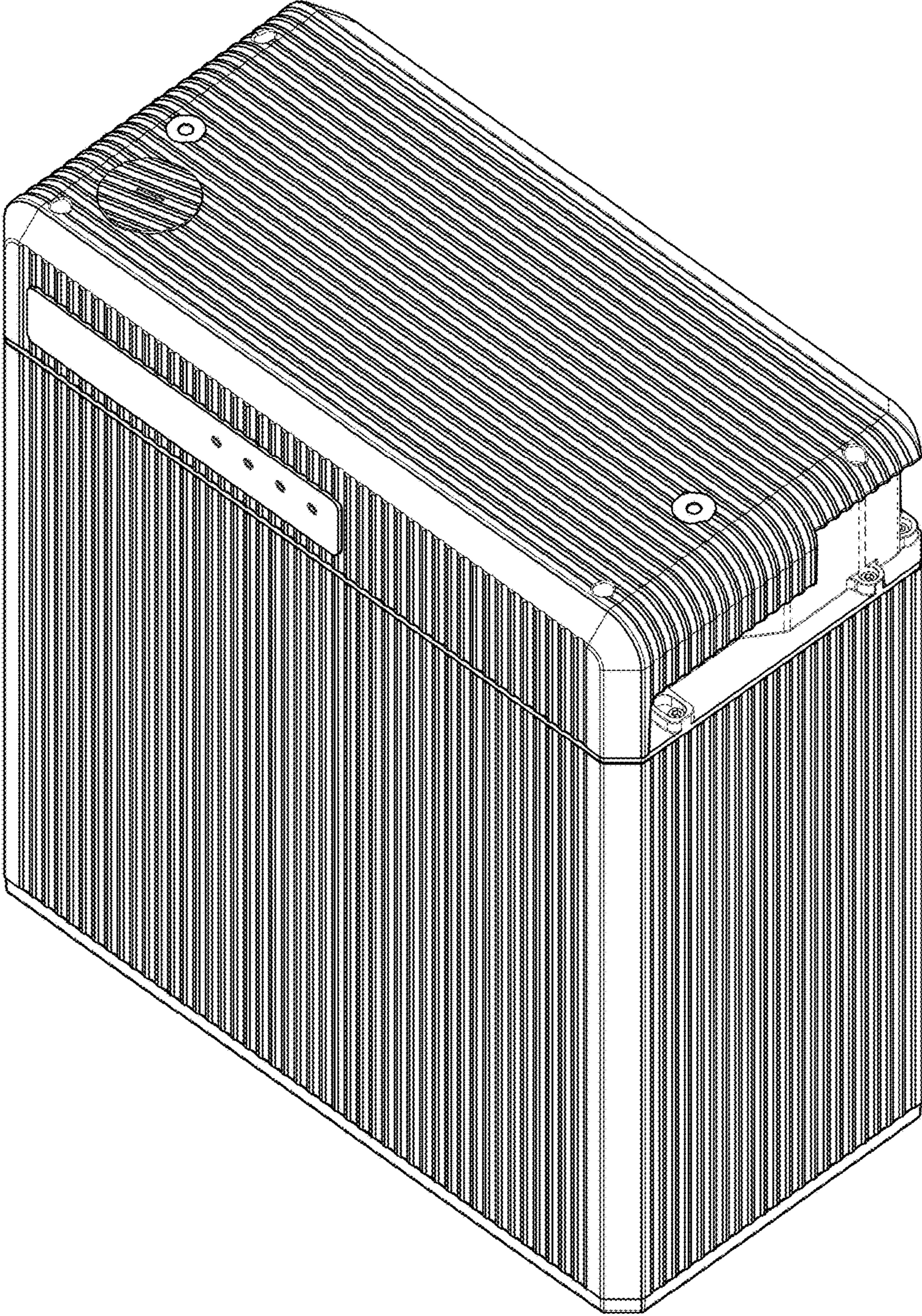


FIG. 1

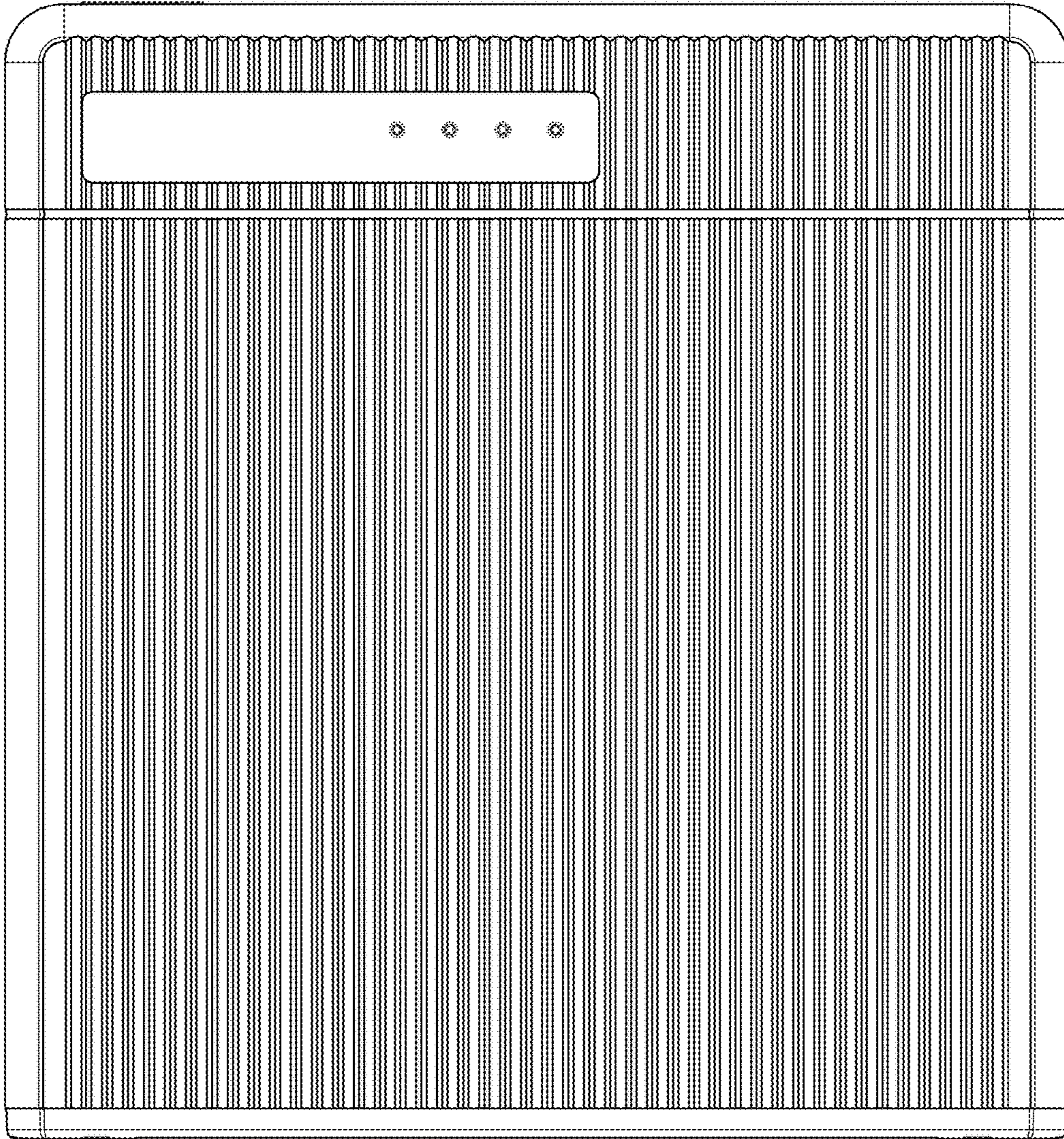


FIG. 2

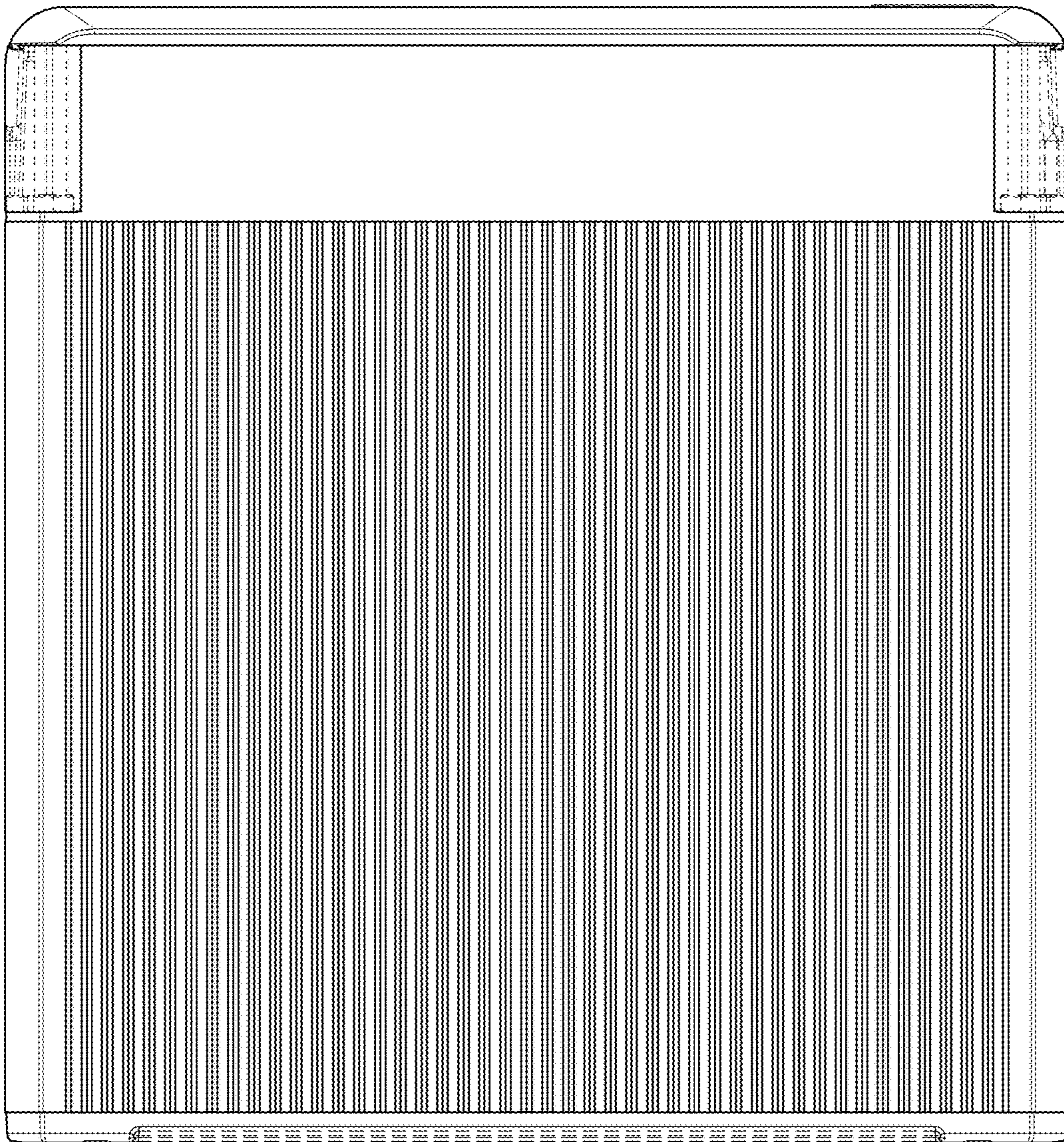


FIG. 3

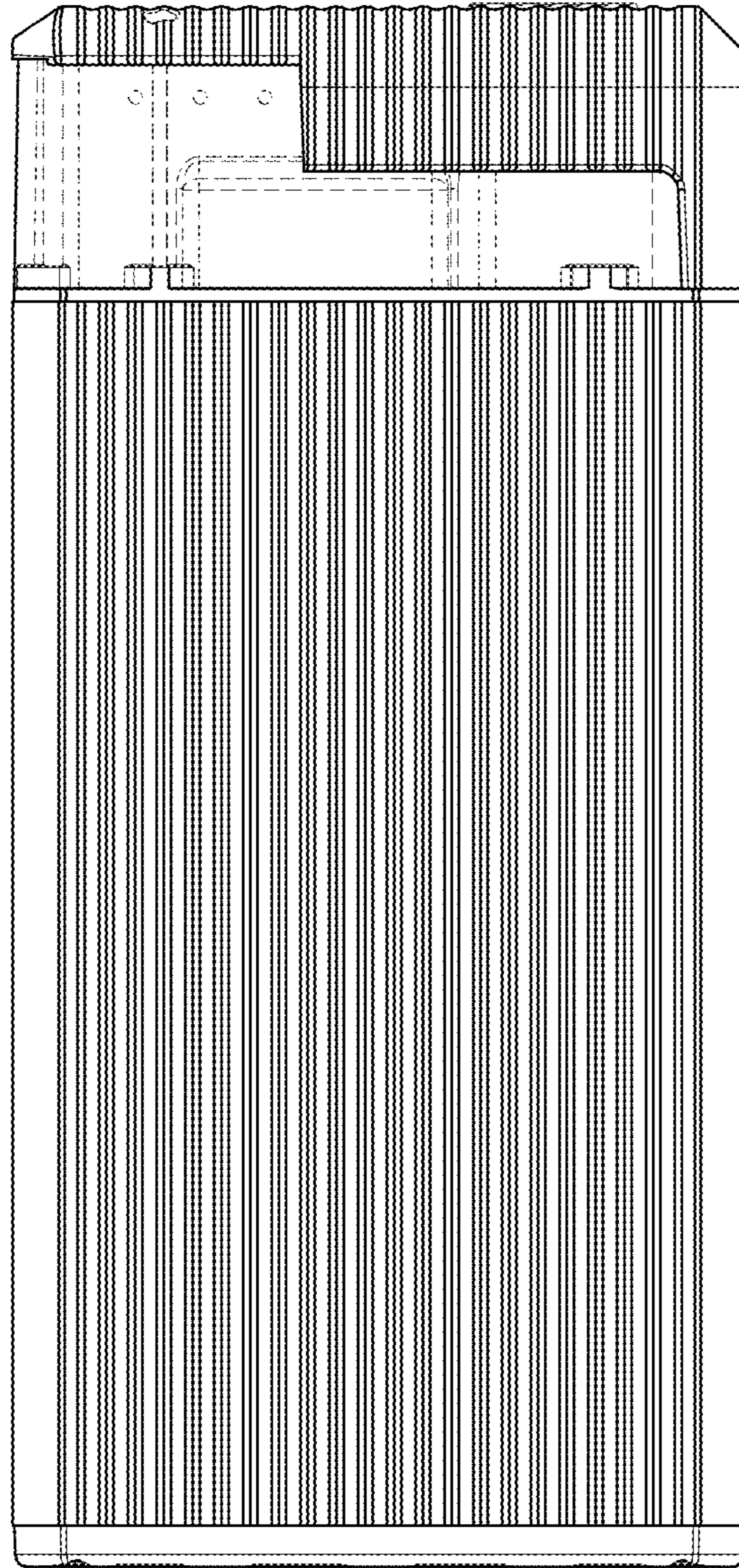


FIG. 4

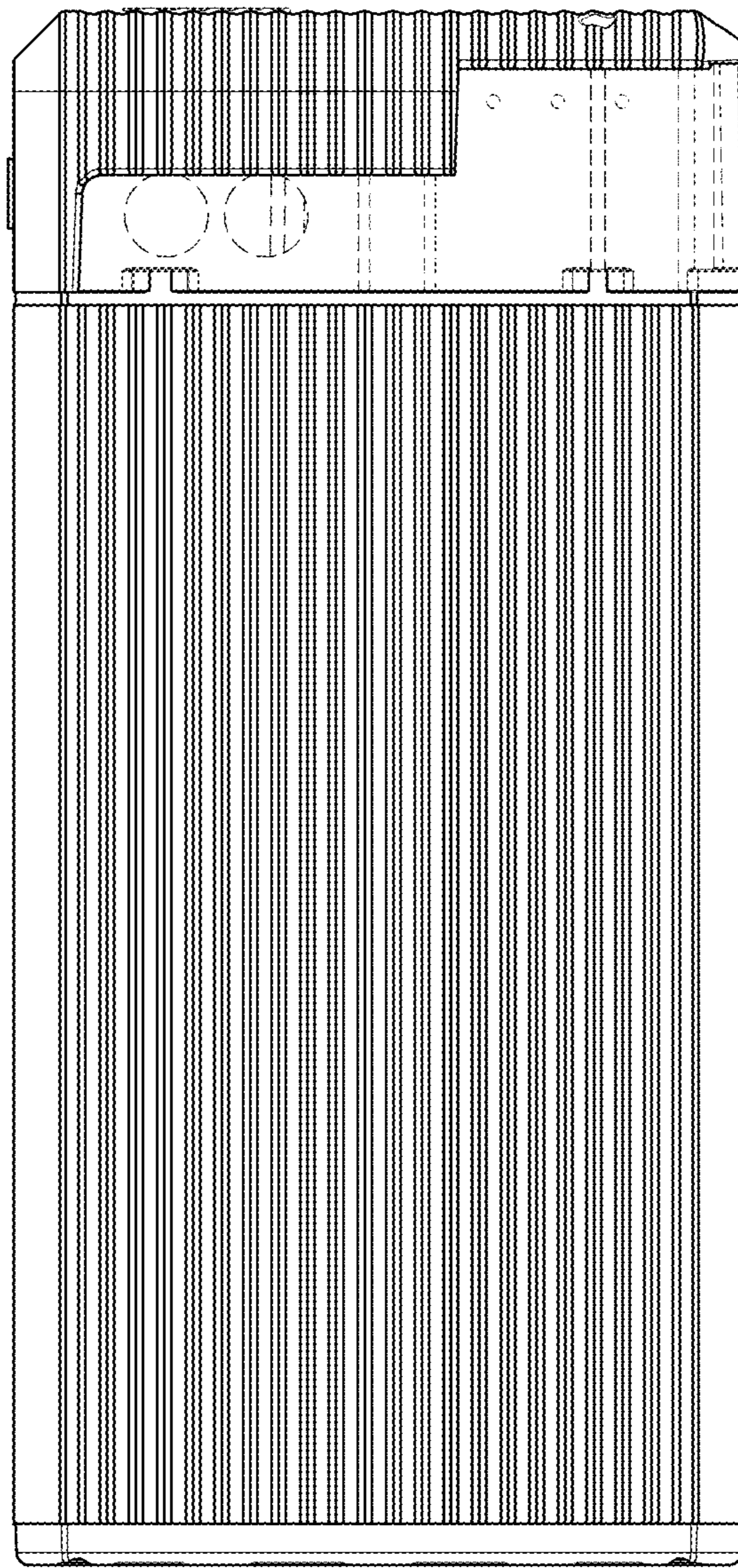


FIG. 5

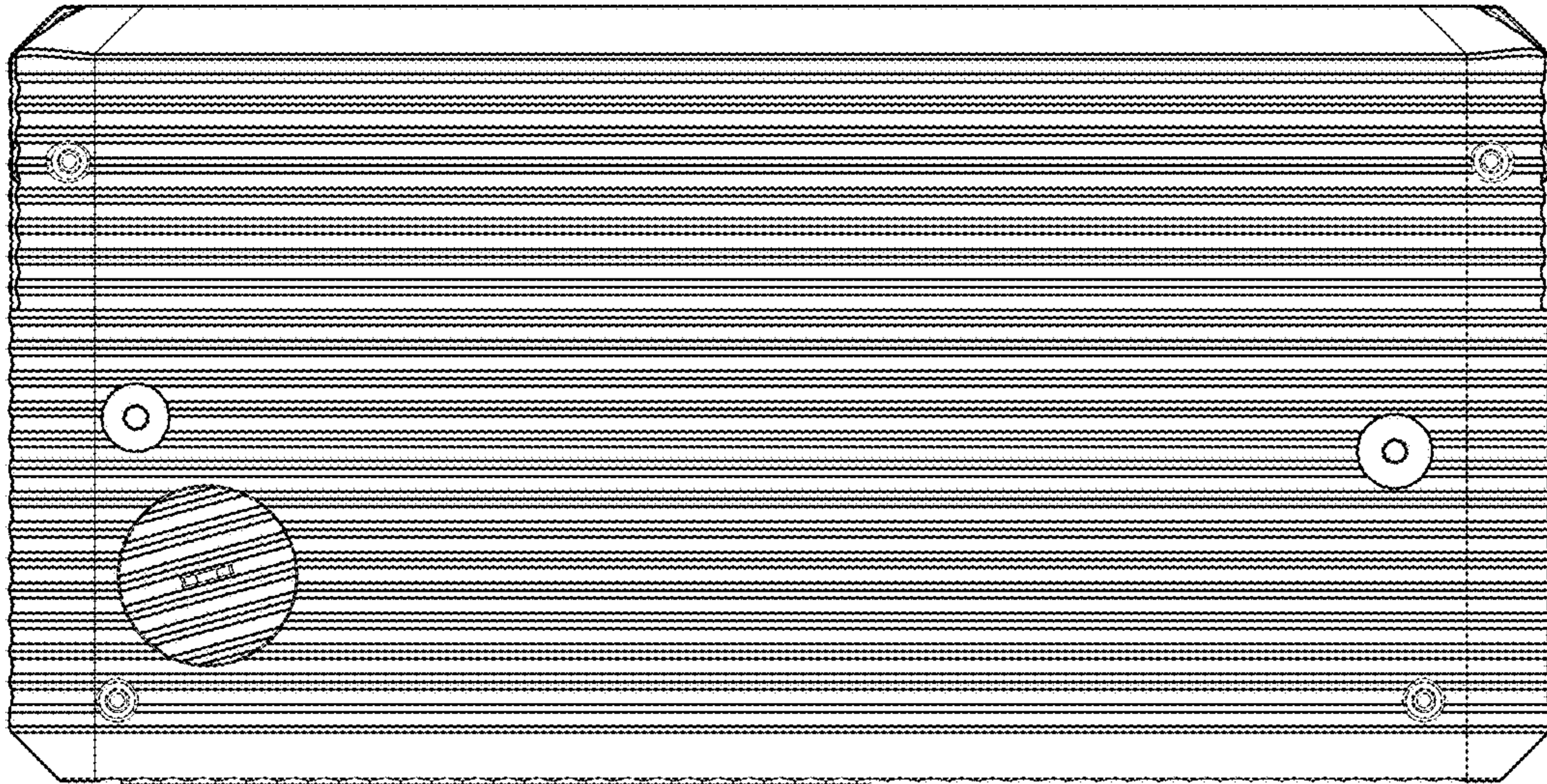


FIG. 6

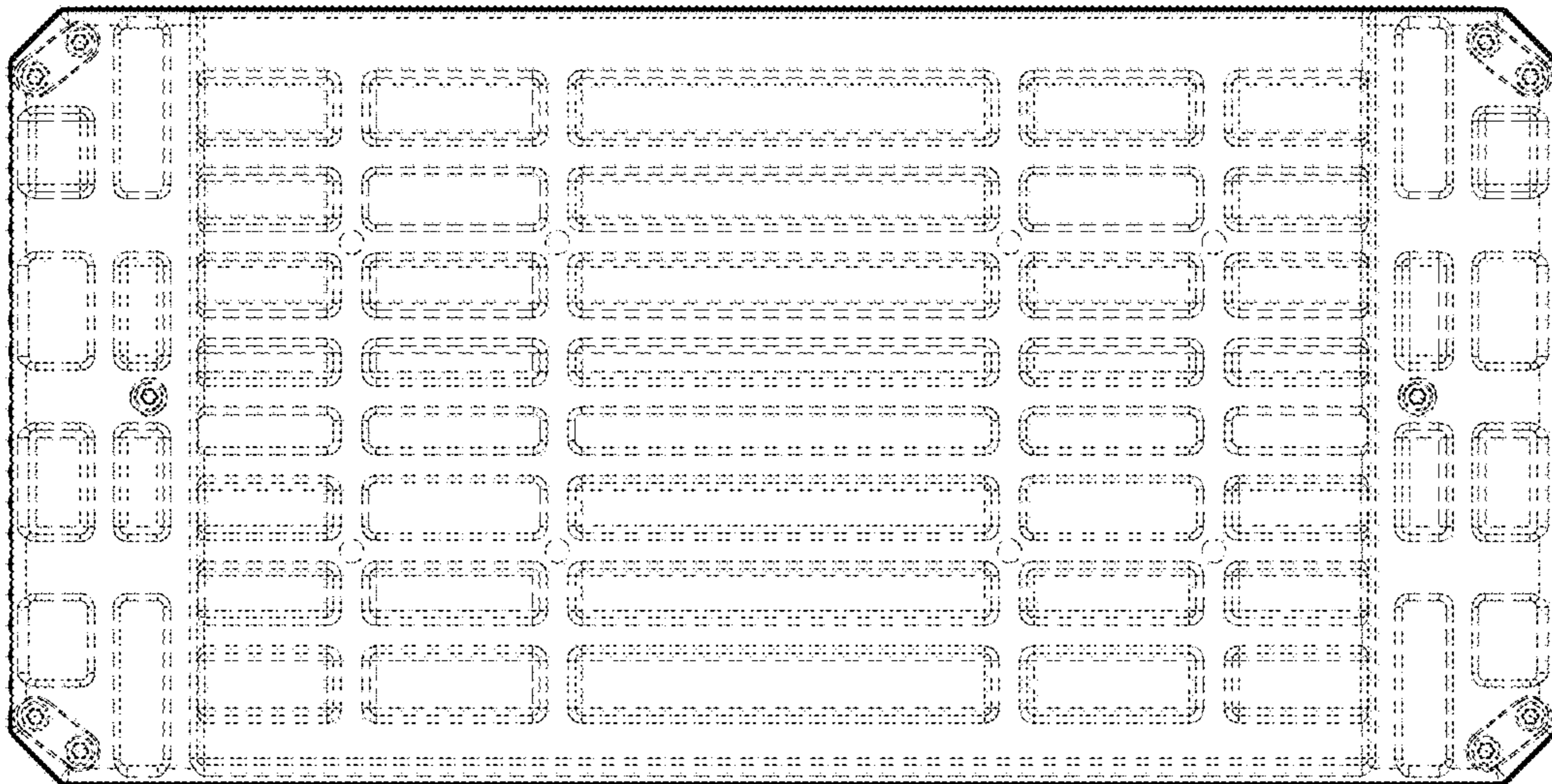


FIG. 7