



US00D826840S

(12) **United States Design Patent**
Pratt

(10) **Patent No.:** **US D826,840 S**

(45) **Date of Patent:** **** Aug. 28, 2018**

(54) **WHEEL**

(71) Applicant: **Railblaza Limited**, Silverdale,
Auckland (NZ)

(72) Inventor: **Ross Gregory Pratt**, Auckland (NZ)

(73) Assignee: **Railblaza Limited** (NZ)

(**) Term: **15 Years**

(21) Appl. No.: **29/563,341**

(22) Filed: **May 4, 2016**

(30) **Foreign Application Priority Data**

Nov. 5, 2015 (AU) 201515892

(51) **LOC (11) Cl.** **12-15**

(52) **U.S. Cl.**
USPC **D12/501**

(58) **Field of Classification Search**
USPC D34/12, 15-27, 30; D12/128-133, 201,
D12/204-205, 209, 211, 500-501
CPC B62B 1/00; B62B 1/18; B62B 1/20; B62B
1/22; B62B 1/186; B62B 1/206; B62B
7/00; B62B 3/02; B62B 3/005; B62B
5/00; B62K 3/005; B62K 9/02
See application file for complete search history.

(56) **References Cited**

U.S. PATENT DOCUMENTS

D176,220 S * 11/1955 Klingberg D34/24
4,811,968 A * 3/1989 Bolden B62B 1/208
16/422
5,040,807 A * 8/1991 Snover B62B 1/20
280/30
D349,796 S * 8/1994 Wimberley D34/15
D362,103 S * 9/1995 Schnoll D34/15
D450,902 S * 11/2001 Liao D34/15
D476,129 S * 6/2003 Witt D34/23
D649,321 S * 11/2011 Hatcher D34/27

D723,762 S * 3/2015 Treadwell D34/17
D783,921 S * 4/2017 Malengo D34/19
D796,147 S * 8/2017 Anderson D34/27
2009/0058047 A1 * 3/2009 Brosh B62B 1/12
280/653
2012/0326407 A1 * 12/2012 Albert B62B 1/18
280/47.31
2015/0027794 A1 * 1/2015 Vandelinde B62B 5/0066
180/19.1

(Continued)

FOREIGN PATENT DOCUMENTS

CN 201136904 * 10/2008
EP 2030863 A2 * 3/2009

OTHER PUBLICATIONS

Off-road tyre guide, posted at 4x4australia.com, posted on Jul. 20,
2016, site visited Nov. 7, 2017, <<https://www.4x4australia.com.au/gear/wheels-tyres/1607/off-road-tyre-guide>>.*

(Continued)

Primary Examiner — Barbara Fox
Assistant Examiner — Messina L Smith
(74) *Attorney, Agent, or Firm* — Gloria Tsui-Yip;
Gottlieb, Rackman & Reisman, P.C.

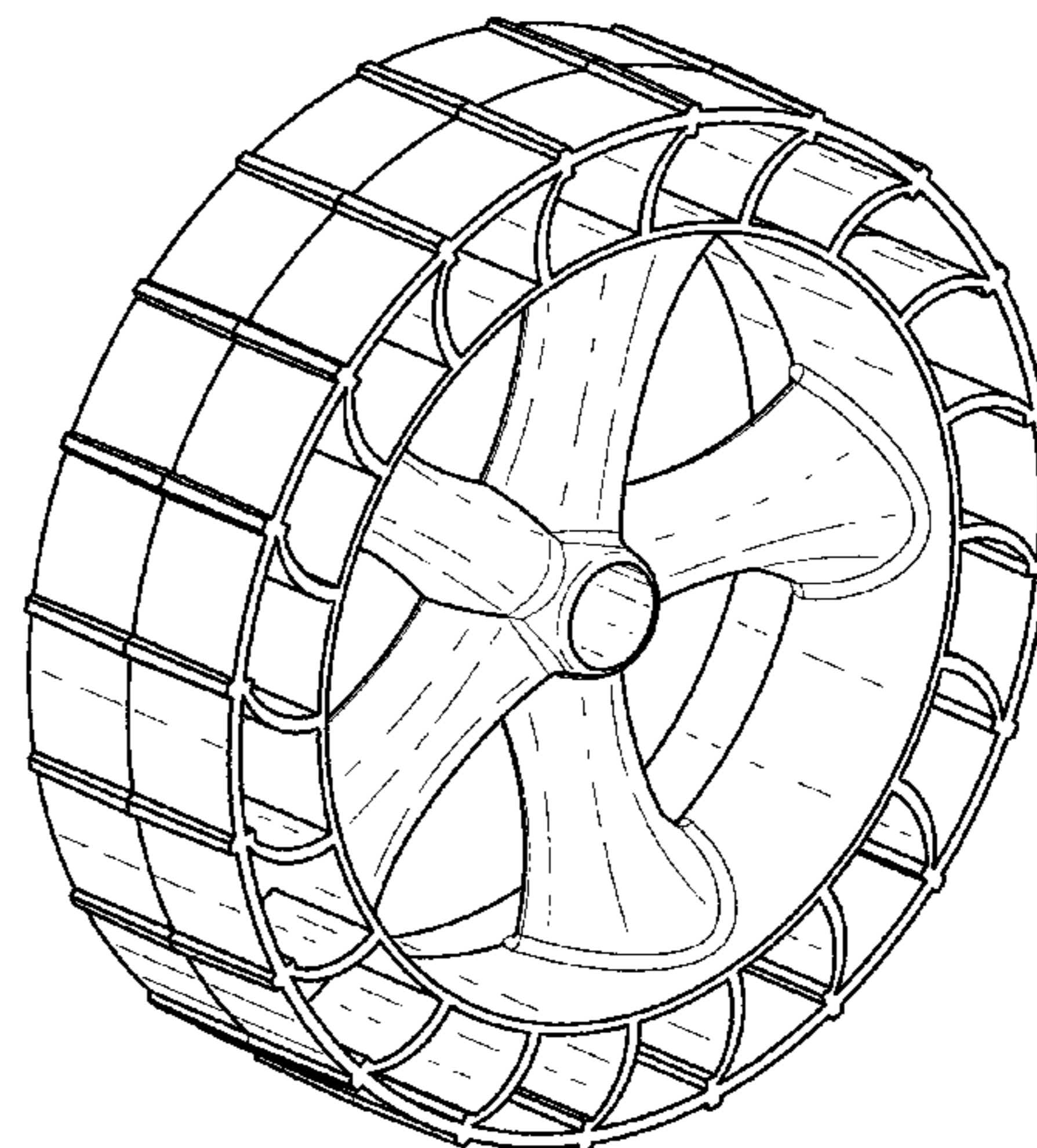
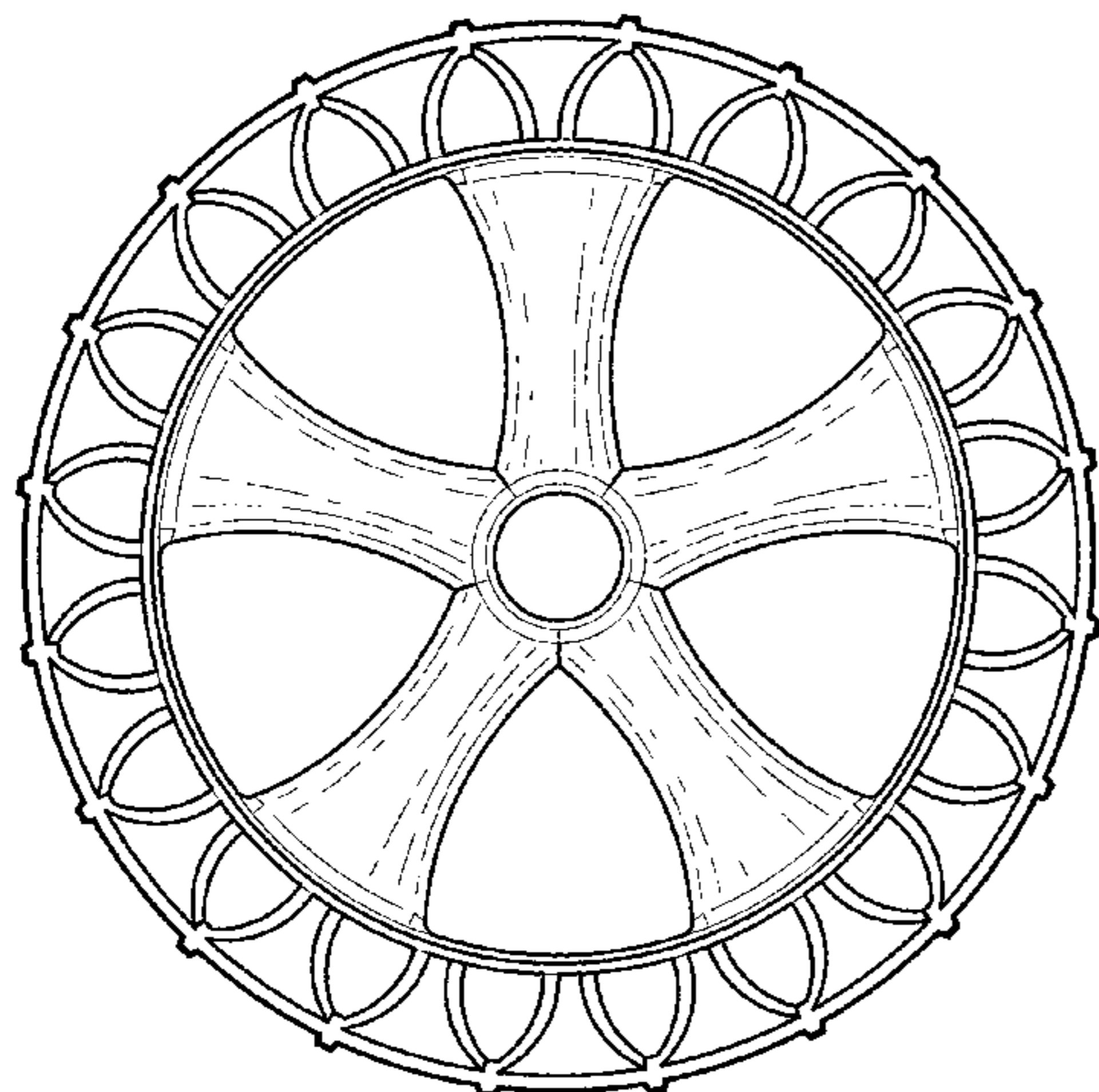
(57) **CLAIM**

The ornamental design for a wheel, as shown and described.

DESCRIPTION

FIG. 1 is a left side view of a wheel showing my new design,
the right side view being identical;
FIG. 2 is a top plan view thereof, the bottom plan view being
identical;
FIG. 3 is a front elevational view thereof;
FIG. 4 is a rear elevational view thereof;
FIG. 5 is a perspective view thereof; and,
FIG. 6 is another perspective view thereof.

1 Claim, 5 Drawing Sheets



(56)

References Cited

U.S. PATENT DOCUMENTS

2015/0291195 A1* 10/2015 Cooke B62B 1/18
280/47.26
2017/0057289 A1* 3/2017 Pratt B60C 7/143

OTHER PUBLICATIONS

C-TUG With Sandtrakz Wheels, posted at Amazon.com, posted on Jul. 3, 2016, site visited Nov. 7, 2017, <<https://www.amazon.com/C-Tug-C-TUG-With-Sandtrakz-Wheels/dp/B01CSJ866K>>.*

SandTrakz Wheels, posted at C-tug.com, posted on © 2015, site visited Nov. 7, 2017, <<https://www.c-tug.com/products/sandtrakz/>>.*

SandTrakz Wheels C Tug Canoe & Kayak Trolley, posted at Youtube.com, posted on Dec. 3, 2015, site visited Nov. 7, 2017, <<https://www.youtube.com/watch?v=1vuUjNzUXN4&feature=youtu.be>>.*

C-Tug Kayak Cart with Puncture-Free SandTrakz Wheels, posted at Sustuu.com, posted on © 2014, site visited Nov. 7, 2017, <<https://www.sustuu.com/890-50000671-c-tug-kayak-cart-with-puncture-free-sandtrakz-wheels---green.html>>.*

* cited by examiner

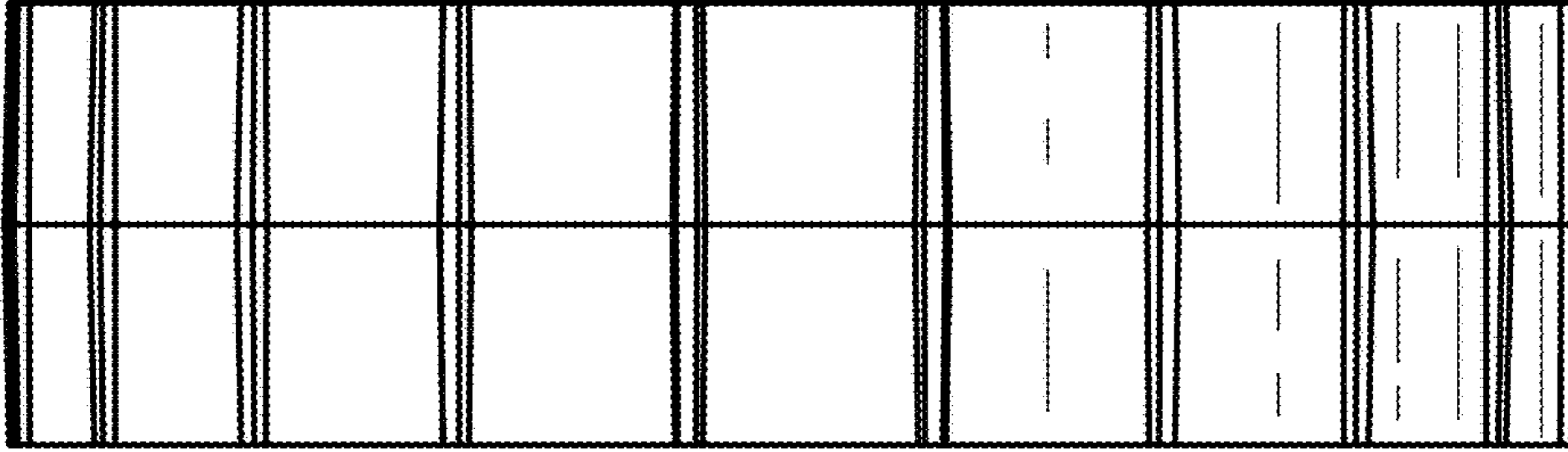


Fig.2

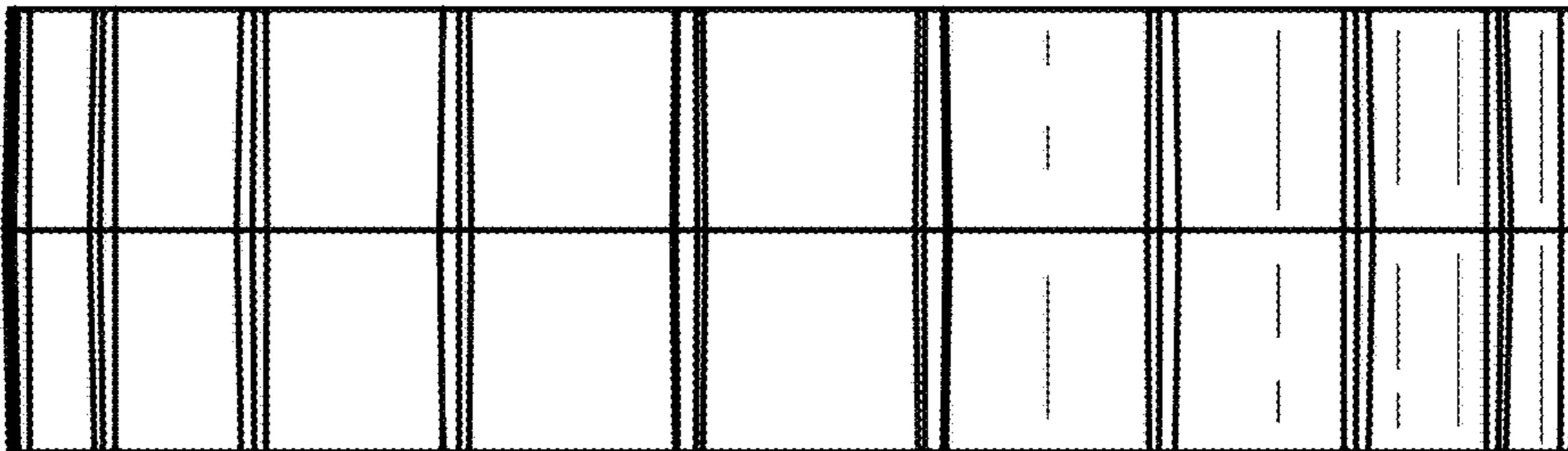


Fig.1

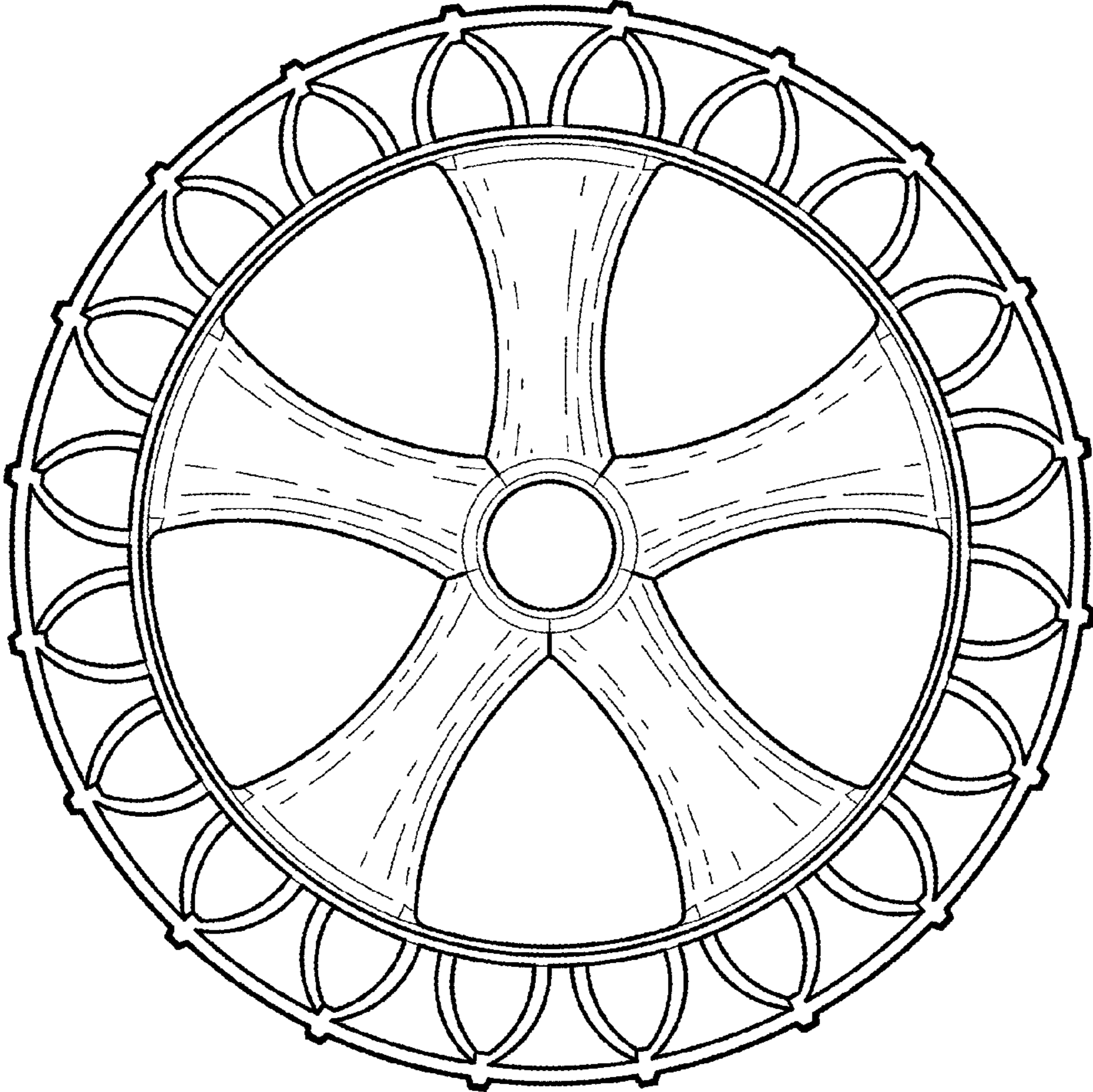


Fig.3

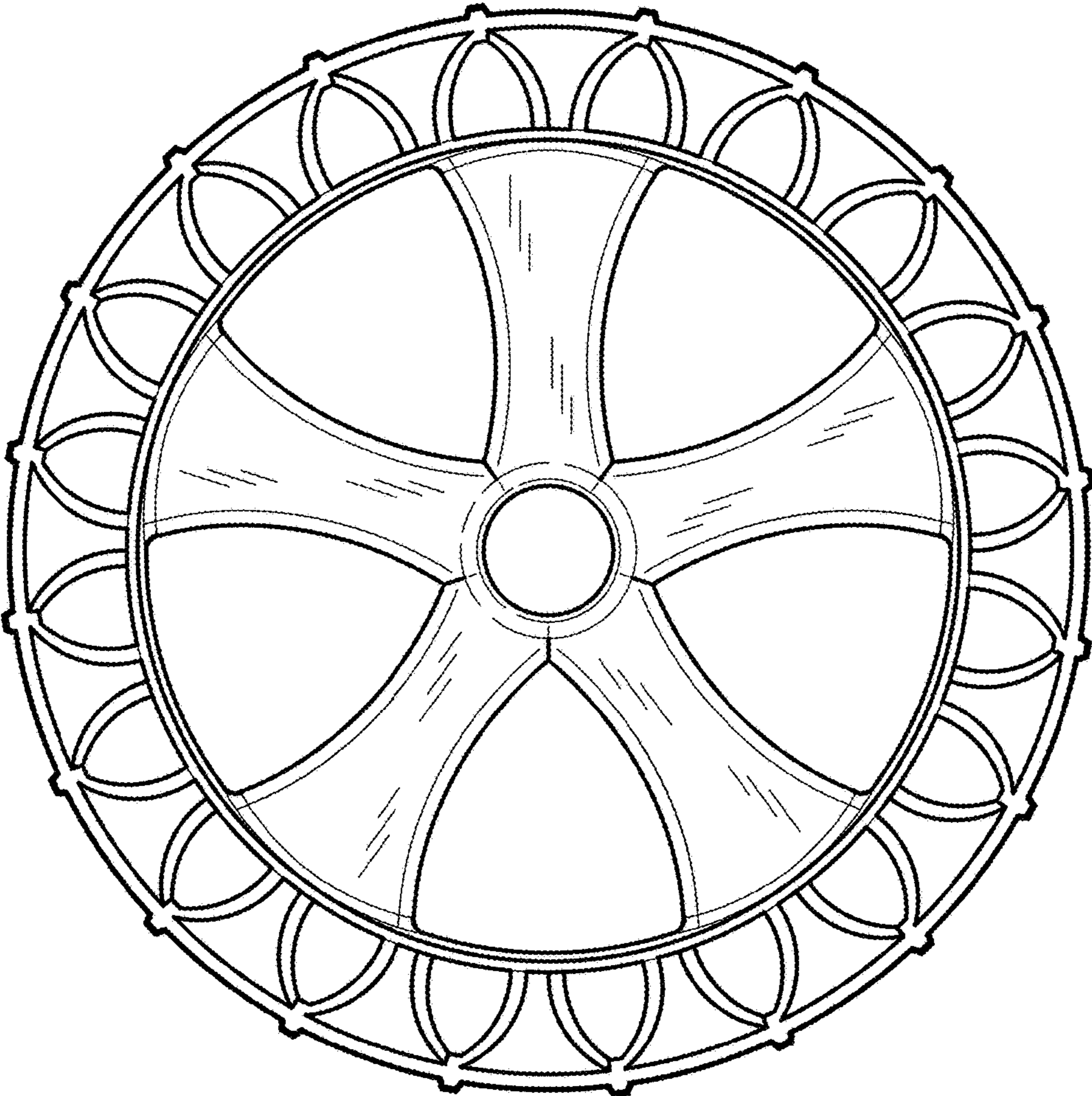


Fig.4

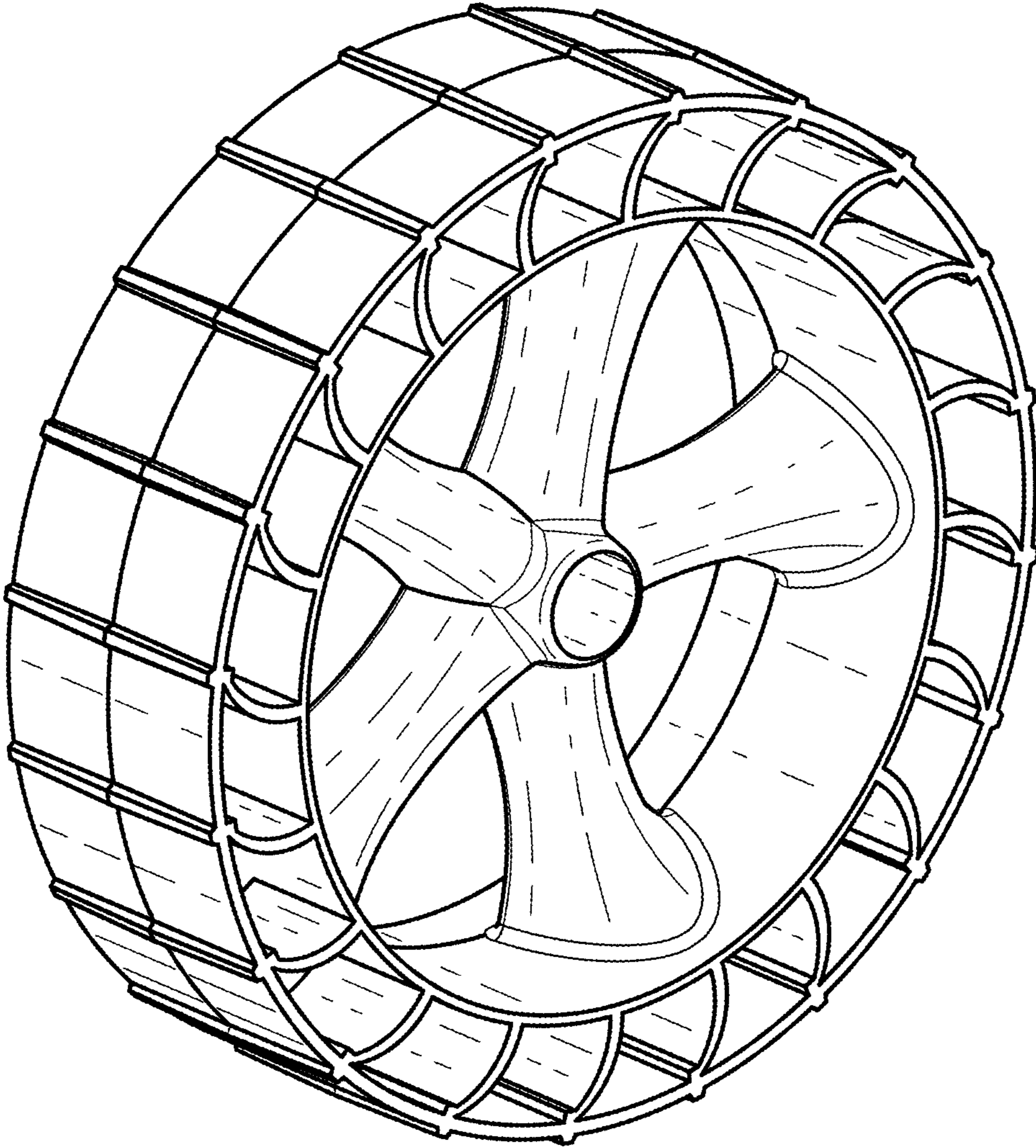


Fig.5

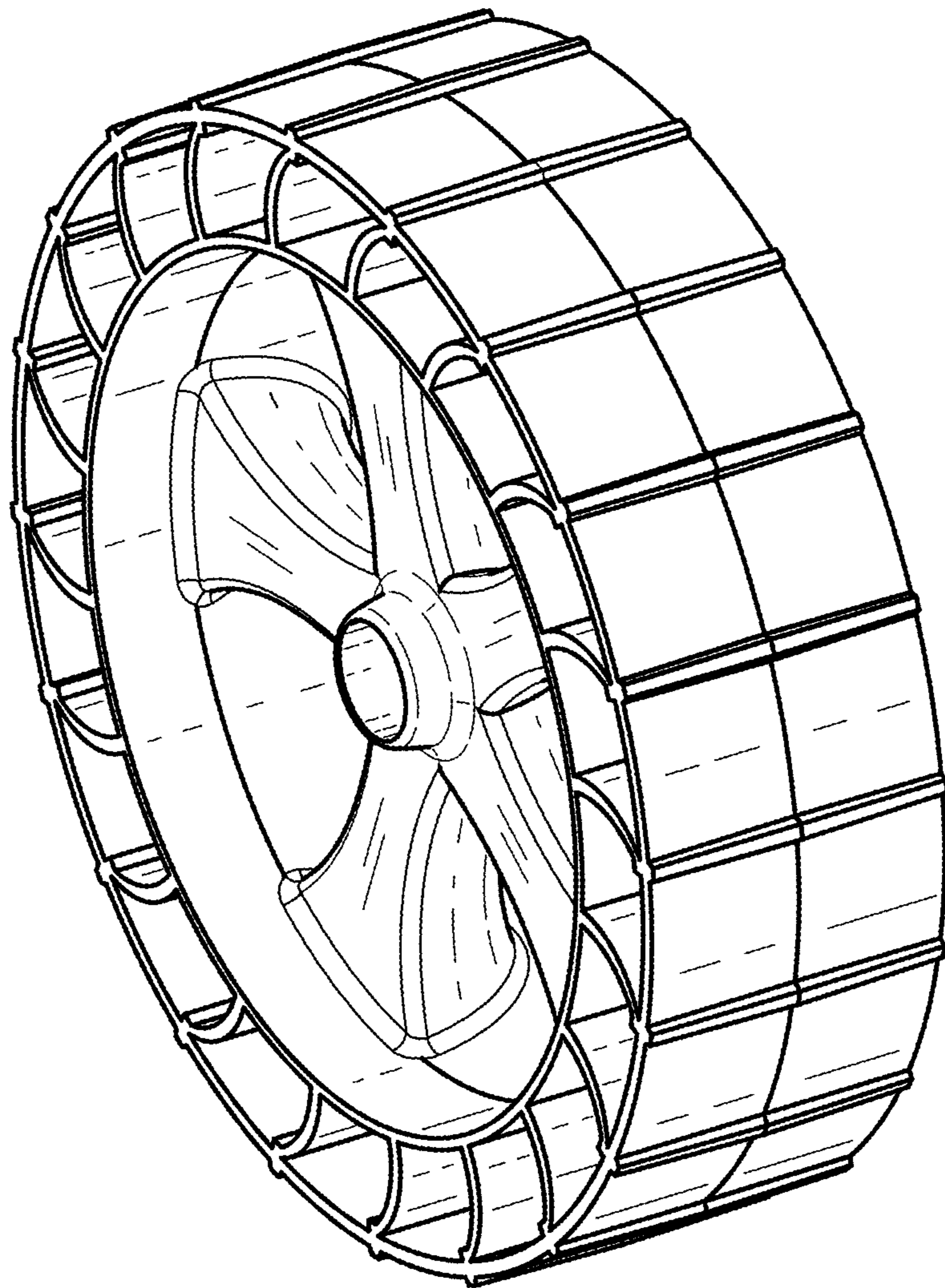


Fig.6