



US00D826839S

(12) **United States Design Patent** (10) **Patent No.:** **US D826,839 S**
Trim (45) **Date of Patent:** **** Aug. 28, 2018**

(54) **STOWAGE POCKET FOR A VEHICLE**

(71) Applicant: **Jaguar Land Rover Limited**, Whitley, Coventry (GB)

(72) Inventor: **James Trim**, Coventry (GB)

(73) Assignee: **Jaguar Land Rover Limited**, Whitley, Coventry (GB)

(**) Term: **15 Years**

(21) Appl. No.: **29/604,908**

(22) Filed: **May 22, 2017**

(51) **LOC (11) Cl.** **12-16**

(52) **U.S. Cl.**
USPC **D12/415**

(58) **Field of Classification Search**
USPC D12/416, 415, 417, 418, 419, 423;
D6/513, 514, 611, 553, 556, 559;
D3/216, 217, 319; D7/601, 602, 605-607
CPC B65D 33/00; B64D 11/0636; B60N 3/004
See application file for complete search history.

(56) **References Cited**

U.S. PATENT DOCUMENTS

D282,883 S *	3/1986	Kiiski	D3/304
D299,186 S *	1/1989	Sills	D12/425
D338,780 S *	8/1993	Rance	D12/416
D346,402 S *	4/1994	Hassel	D19/75
D362,685 S *	9/1995	Perkitny	D19/75

D382,534 S *	8/1997	Green	D12/406
D424,805 S *	5/2000	Green	D3/304
D430,090 S *	8/2000	Walterscheid	D12/195
D525,308 S *	7/2006	Lara	D19/92
D548,156 S *	8/2007	Elwell	D12/195
D612,153 S *	3/2010	Liao	D3/304
D793,948 S *	8/2017	Nunez	D12/415

* cited by examiner

Primary Examiner — Katrina A Betton

(74) *Attorney, Agent, or Firm* — Wood Herron & Evans LLP

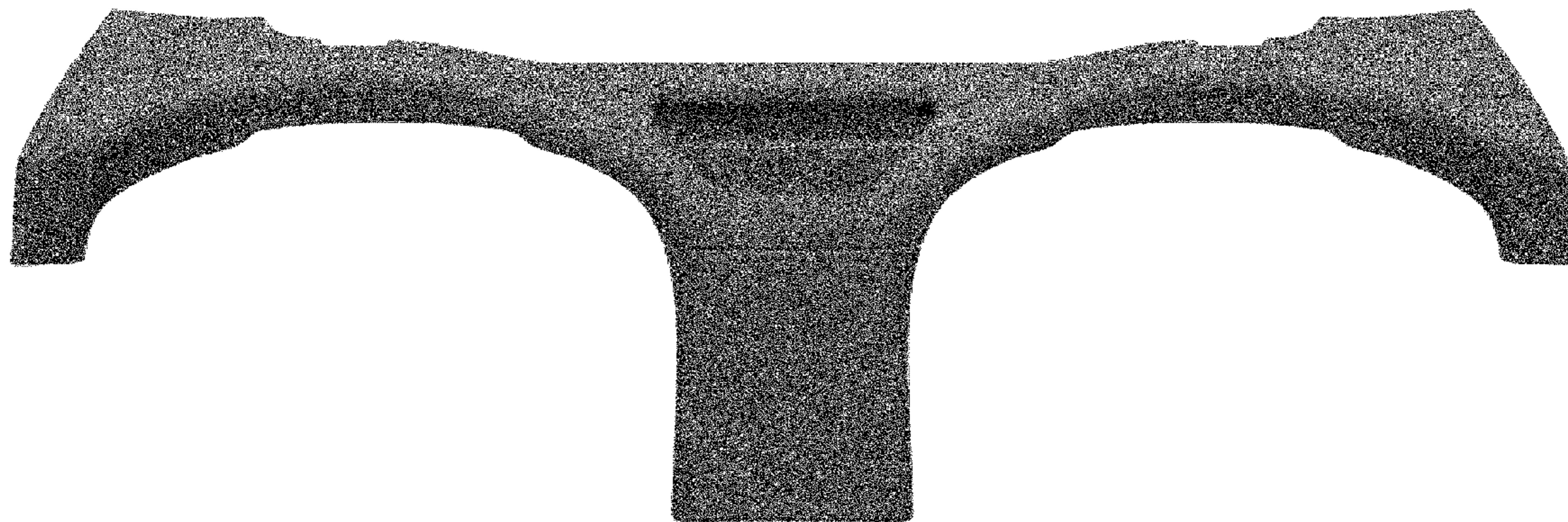
(57) **CLAIM**

The ornamental design for a stowage pocket for a vehicle, as shown and described.

DESCRIPTION

FIG. 1 is a front right perspective view of a stowage pocket for a vehicle according to the present invention.
FIG. 2 is a front left perspective view of the stowage pocket shown in FIG. 1.
FIG. 3 is a rear left perspective view thereof.
FIG. 4 is a rear right perspective view thereof.
FIG. 5 is a front view thereof, partially elevated.
FIG. 6 is a rear view thereof.
FIG. 7 is a left side view thereof, partially elevated.
FIG. 8 is a right side view thereof, partially elevated; and, FIG. 9 is a top view thereof.

1 Claim, 9 Drawing Sheets



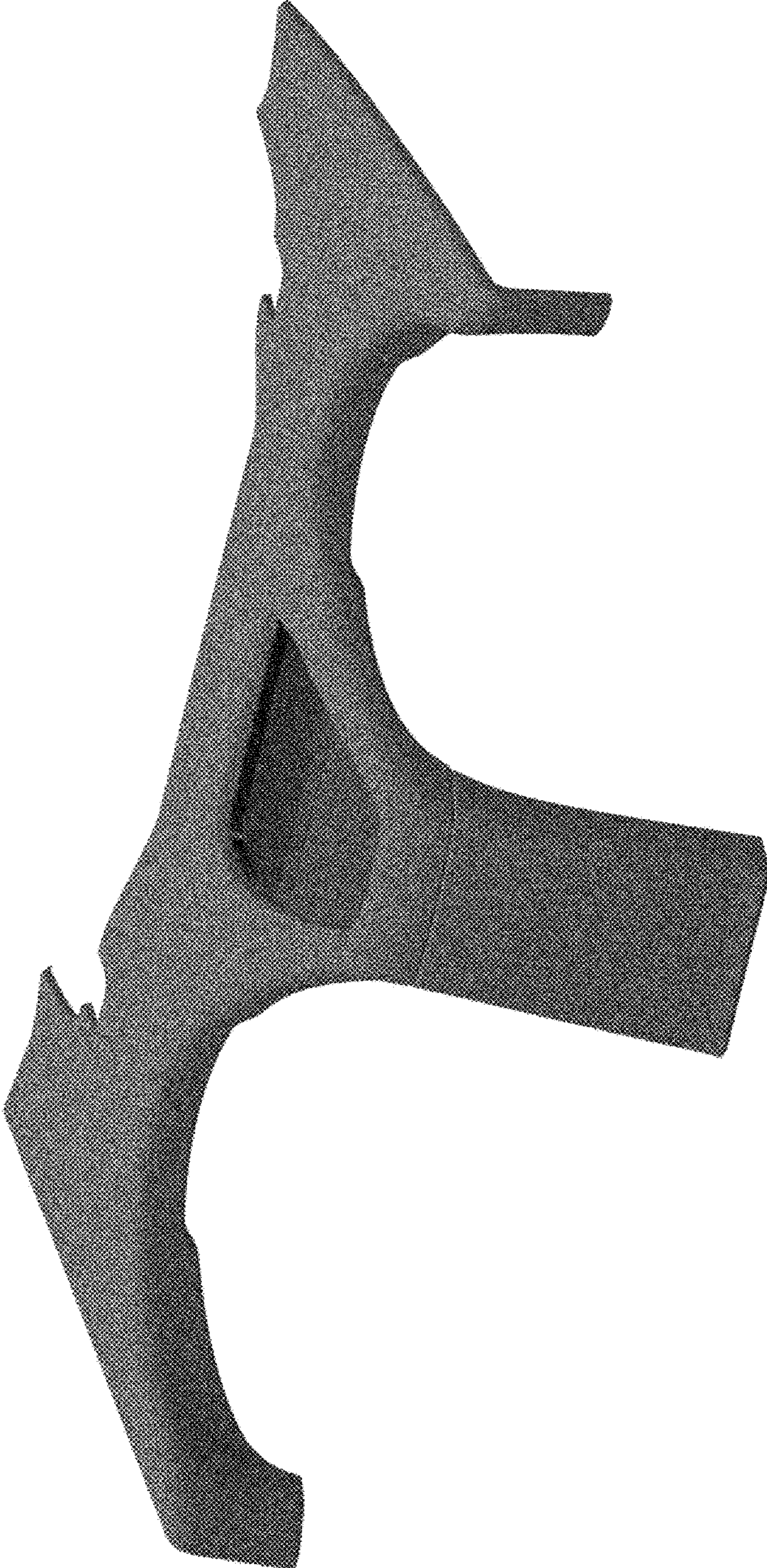


FIG. 1

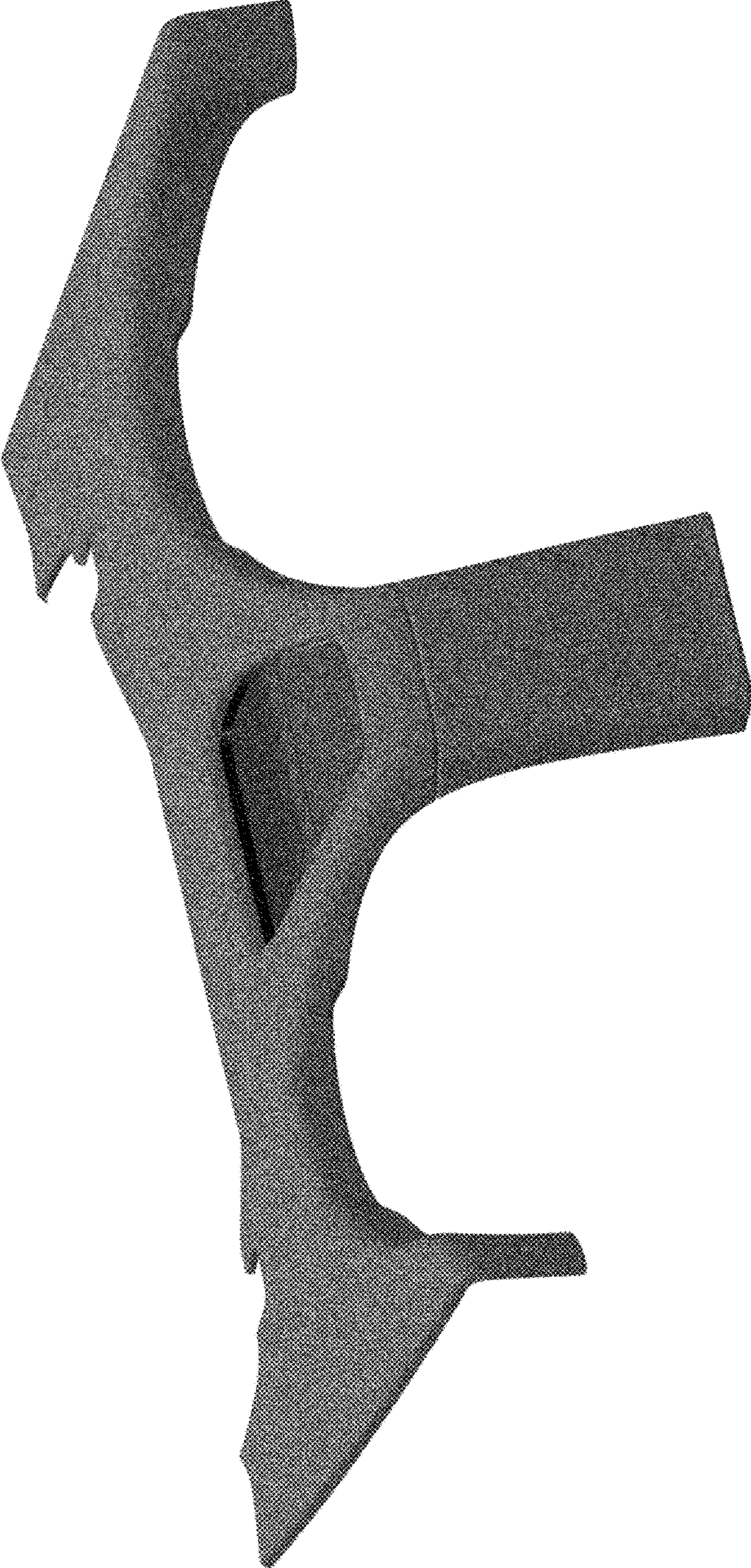


FIG. 2

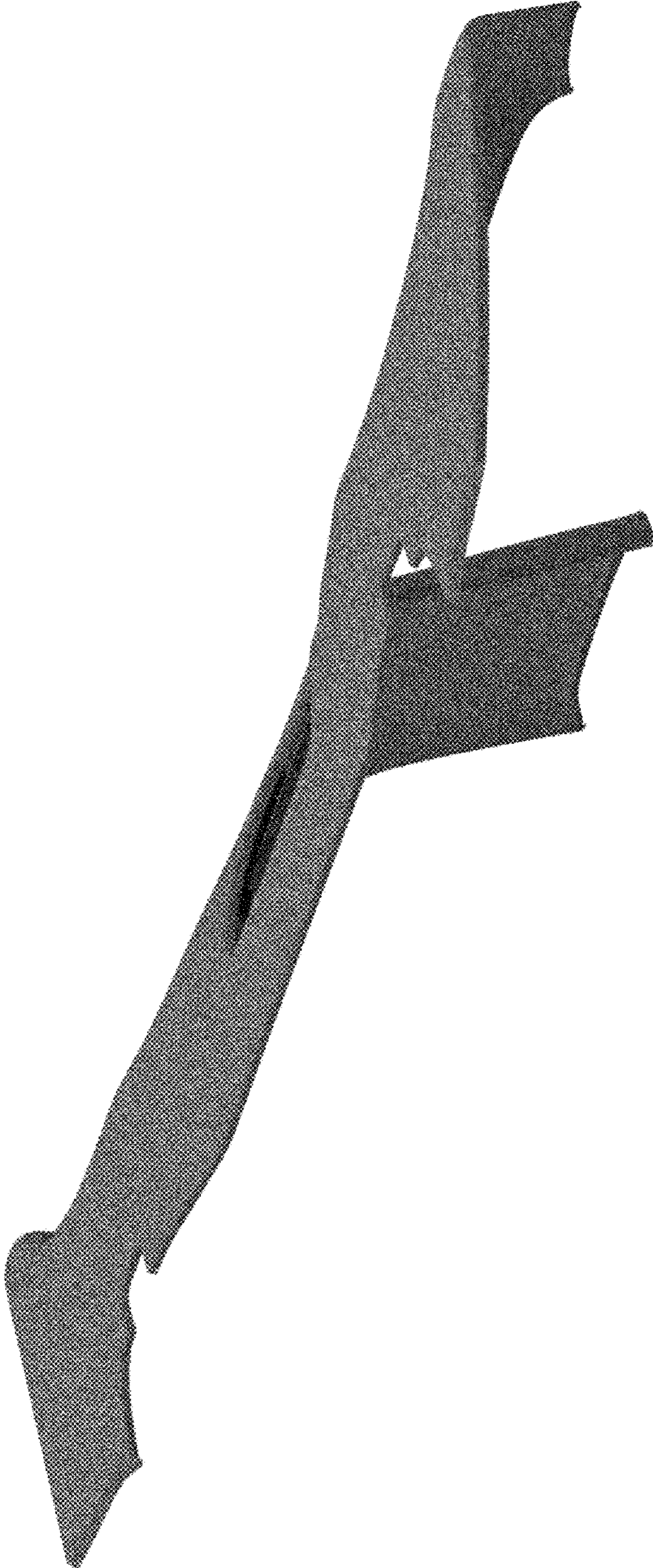


FIG. 3

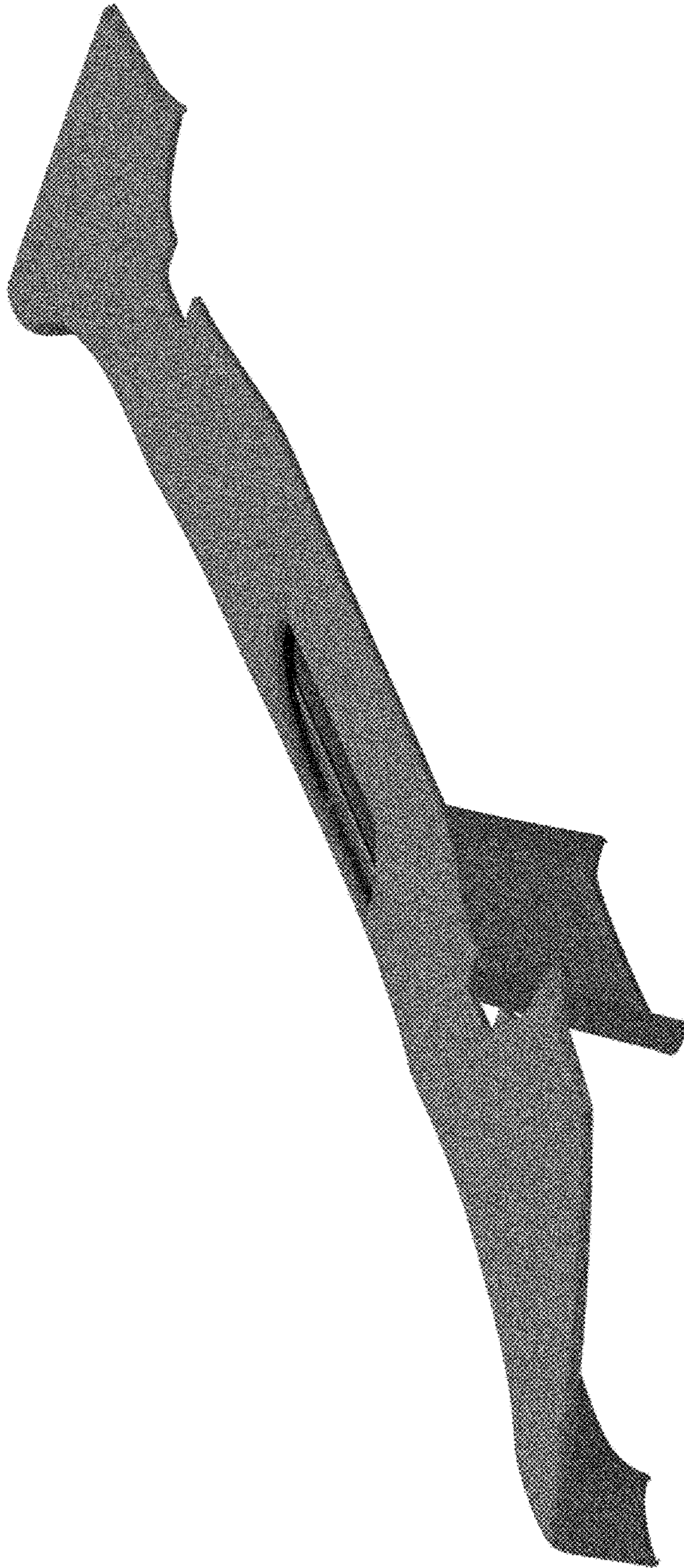


FIG. 4

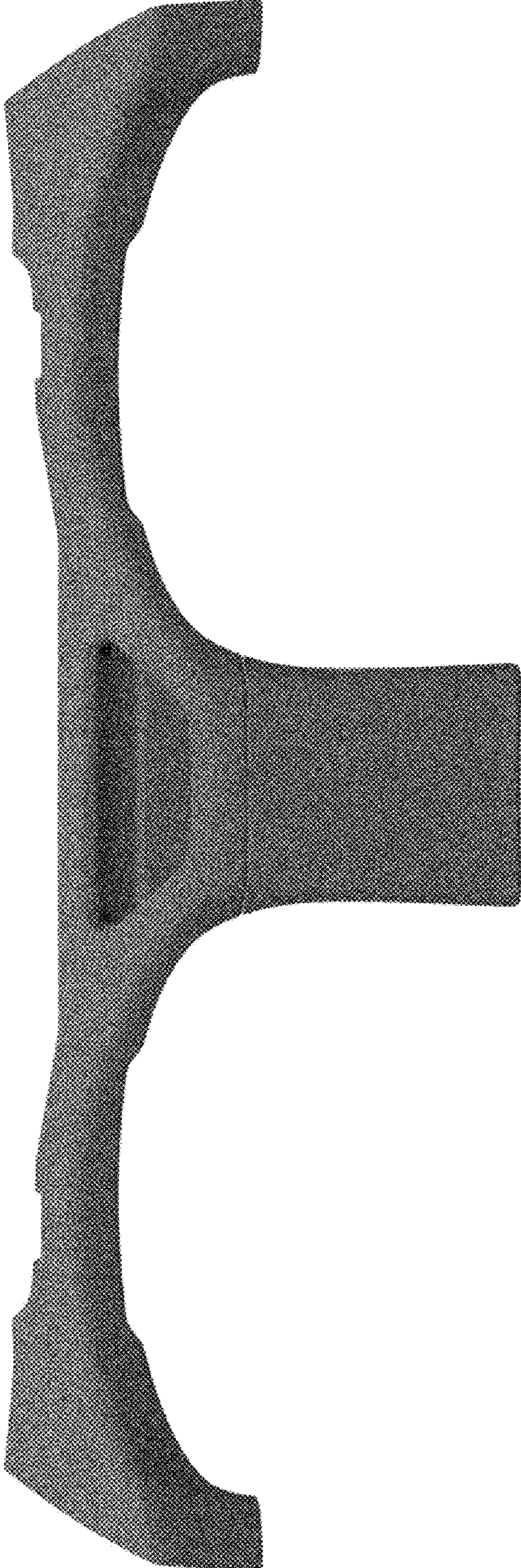


FIG. 5

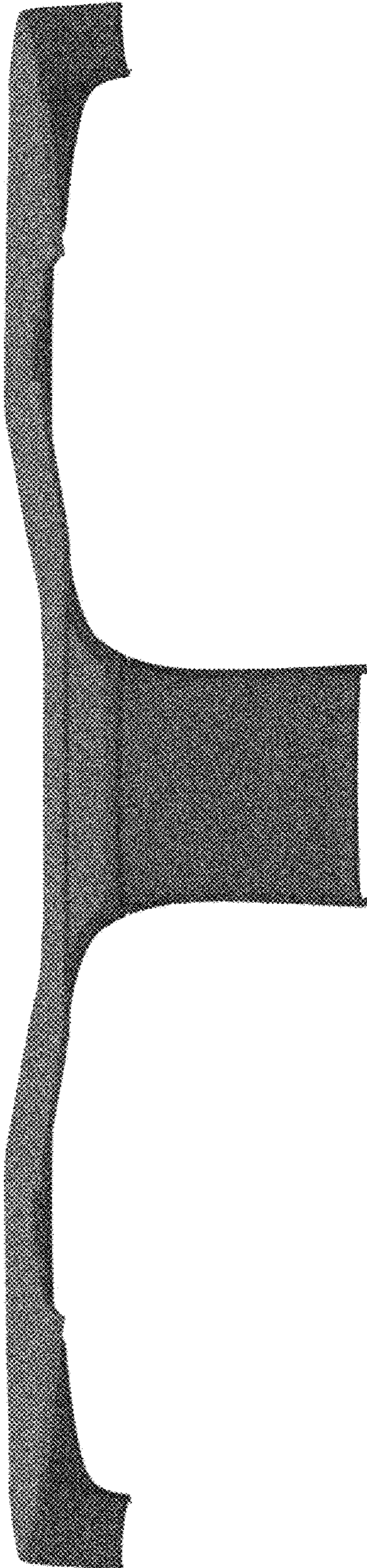


FIG. 6

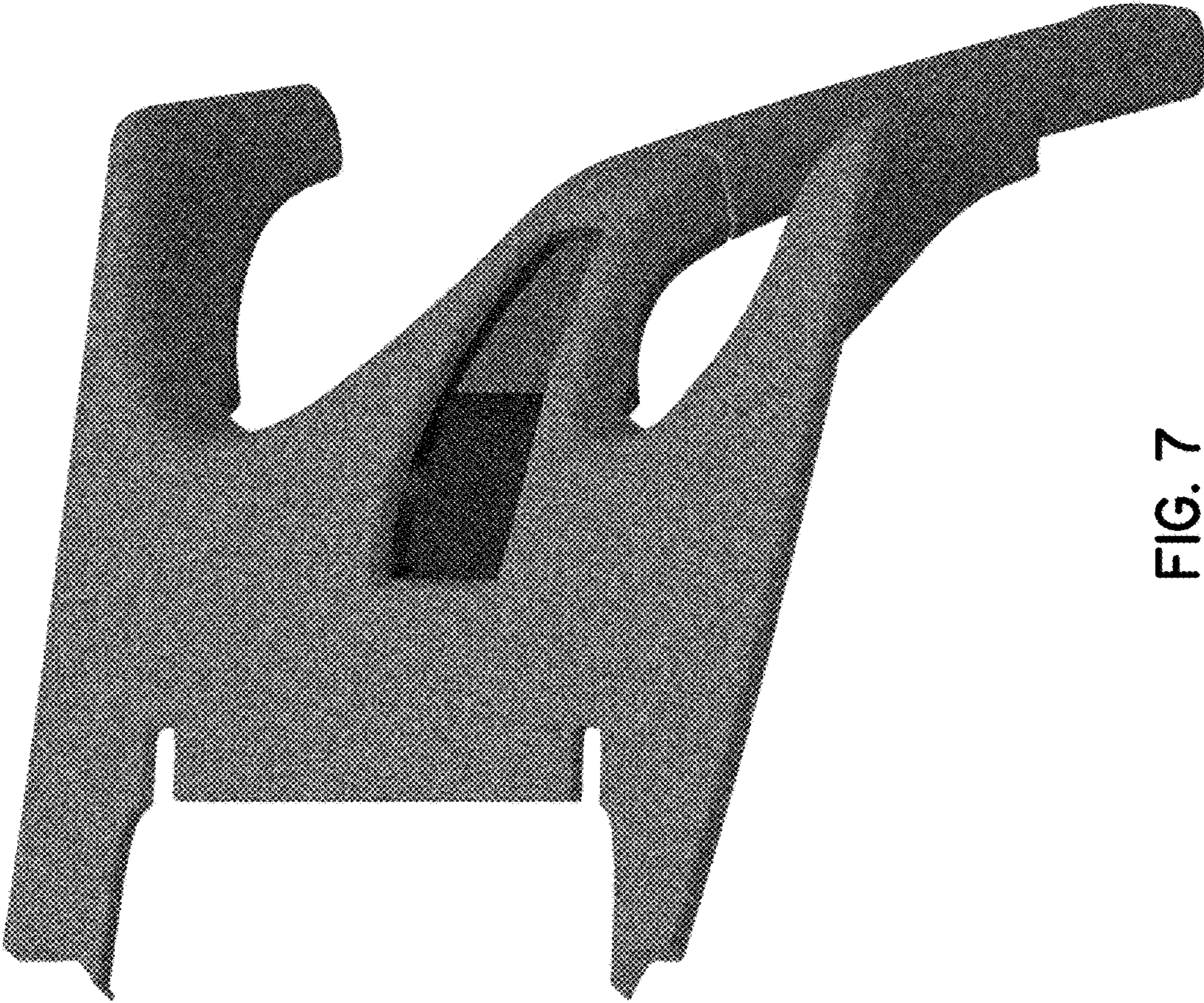


FIG. 7

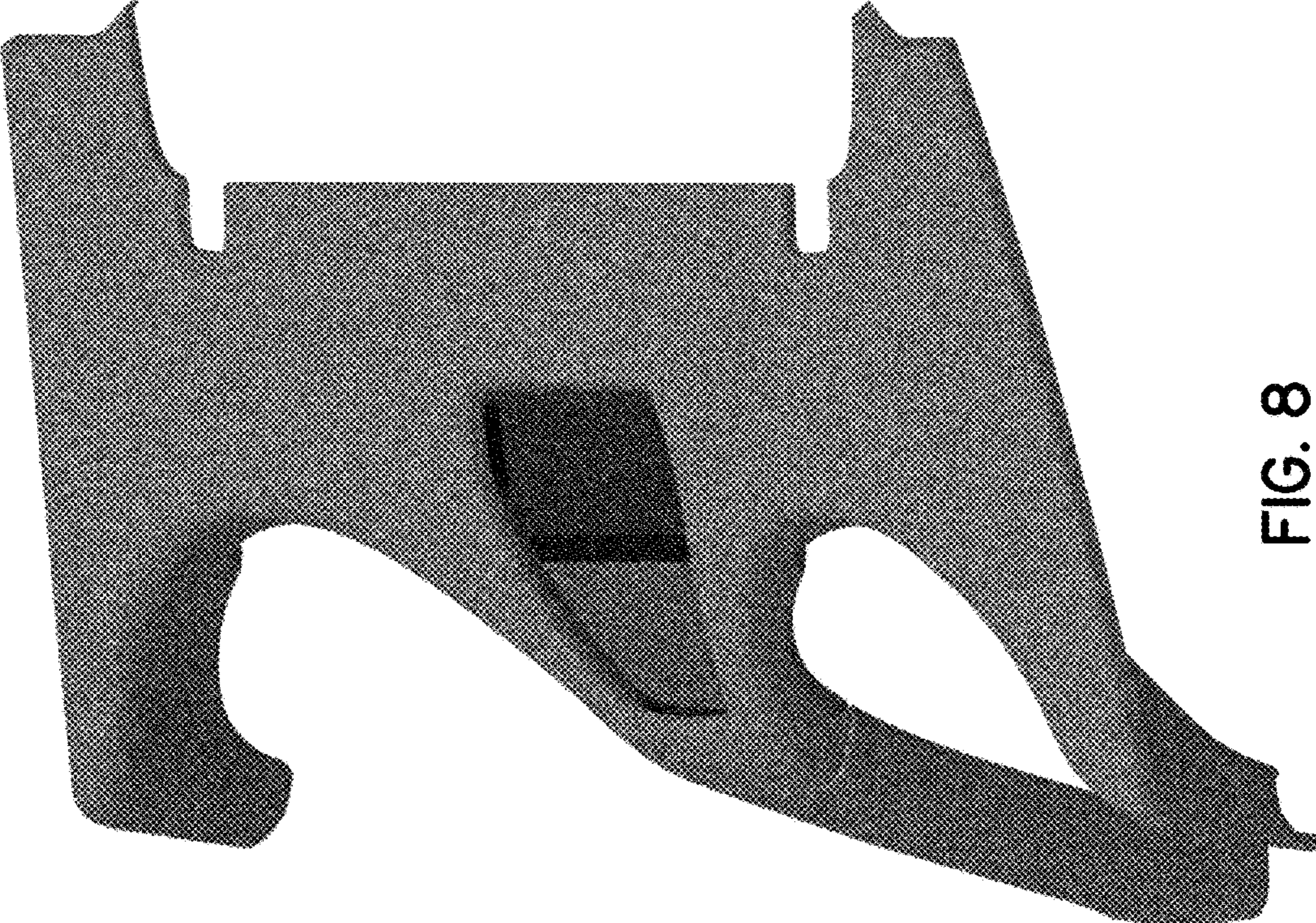


FIG. 8

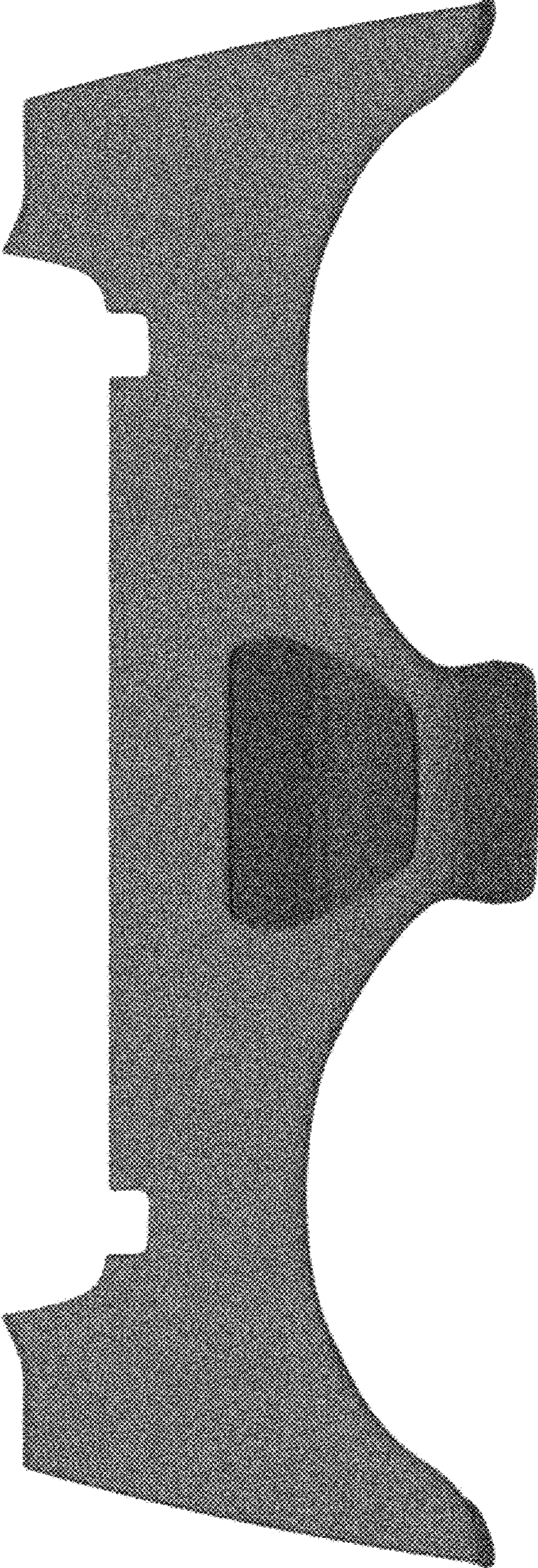


FIG. 9

UNITED STATES PATENT AND TRADEMARK OFFICE
CERTIFICATE OF CORRECTION

PATENT NO. : D826,839 S
APPLICATION NO. : 29/604908
DATED : August 28, 2018
INVENTOR(S) : James Trim

Page 1 of 1

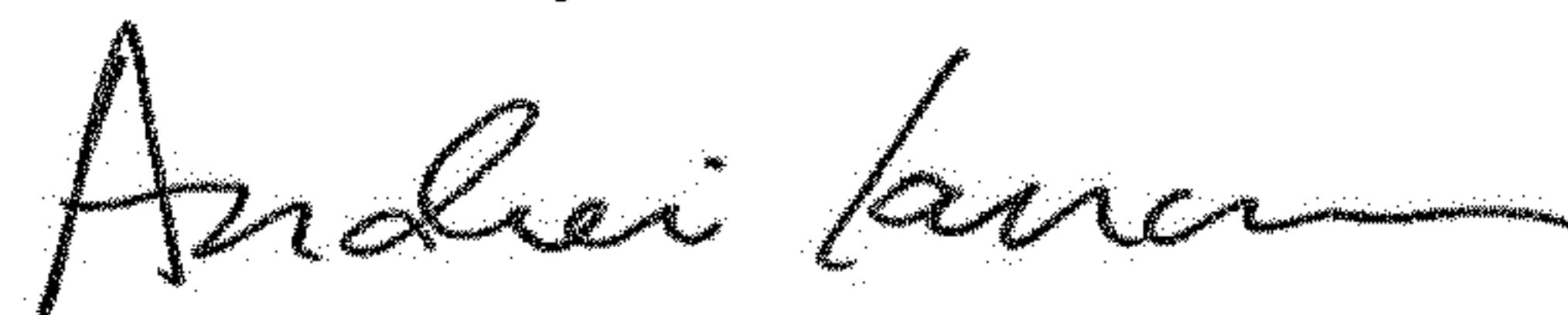
It is certified that error appears in the above-identified patent and that said Letters Patent is hereby corrected as shown below:

On the Title Page

Item (30), the heading "Foreign Application Priority Data" and the information are missing. It should read as follows:

--(30) Foreign Application Priority Data
November 30, 2016 (EM).....003492891-0011.--

Signed and Sealed this
Fourth Day of December, 2018



Andrei Iancu
Director of the United States Patent and Trademark Office