



US00D826836S

(12) **United States Design Patent** (10) **Patent No.:** **US D826,836 S**
Mattila (45) **Date of Patent:** **** Aug. 28, 2018**

(54) **BOAT**
(71) Applicant: **Axopar Holdings Oy**, Helsinki (FI)
(72) Inventor: **Sakari Mattila**, Helsinki (FI)
(73) Assignee: **Axopar Holdings Oy**, Helsinki (FI)
(**) Term: **15 Years**
(21) Appl. No.: **29/630,286**
(22) Filed: **Dec. 20, 2017**

6,474,253 B1 11/2002 Molz
D488,841 S 4/2004 Yuen
D506,430 S 6/2005 de Rover
D524,714 S 7/2006 Barbeito
D553,071 S 10/2007 de Rover
D587,641 S 3/2009 Bouckaert
D700,127 S * 2/2014 Fuller, IV D12/300
D762,156 S * 7/2016 Braver D12/317
D763,776 S 8/2016 Braver et al.
D764,376 S 8/2016 Braver et al.
D770,963 S * 11/2016 Demaria D12/300
(Continued)

Related U.S. Application Data

(62) Division of application No. 29/549,923, filed on Dec. 29, 2015.
(51) **LOC (11) Cl.** **12-06**
(52) **U.S. Cl.**
USPC **D12/300**
(58) **Field of Classification Search**
USPC D12/300, 302, 303, 304, 307, 310-314,
D12/316, 317; 114/39.11-39.15,
114/39.21-39.32, 61.1, 61.2, 61.32,
114/61.33, 62, 355-358, 271, 273, 283,
114/288-292, 343, 363; 440/27, 35
CPC B63B 17/00; B63B 17/02; B63B 35/81;
B63B 35/816; B62B 21/04
See application file for complete search history.

(56) **References Cited**

U.S. PATENT DOCUMENTS

D288,087 S * 2/1987 Hegg D12/315
4,742,795 A * 5/1988 DePrey B63B 19/08
114/343
D315,137 S 3/1991 Runte
D315,892 S 4/1991 Tollefson et al.
D329,038 S 9/1992 Dekker et al.
D393,443 S * 4/1998 Cassell D12/314
D429,682 S 8/2000 Garland et al.

OTHER PUBLICATIONS

Axopar Boats Brochure: pp. 1-20, published Sep. 24, 2014, Axopar Boats 2014.

(Continued)

Primary Examiner — Cynthia M Chin

(74) *Attorney, Agent, or Firm* — Banner & Witcoff, Ltd.

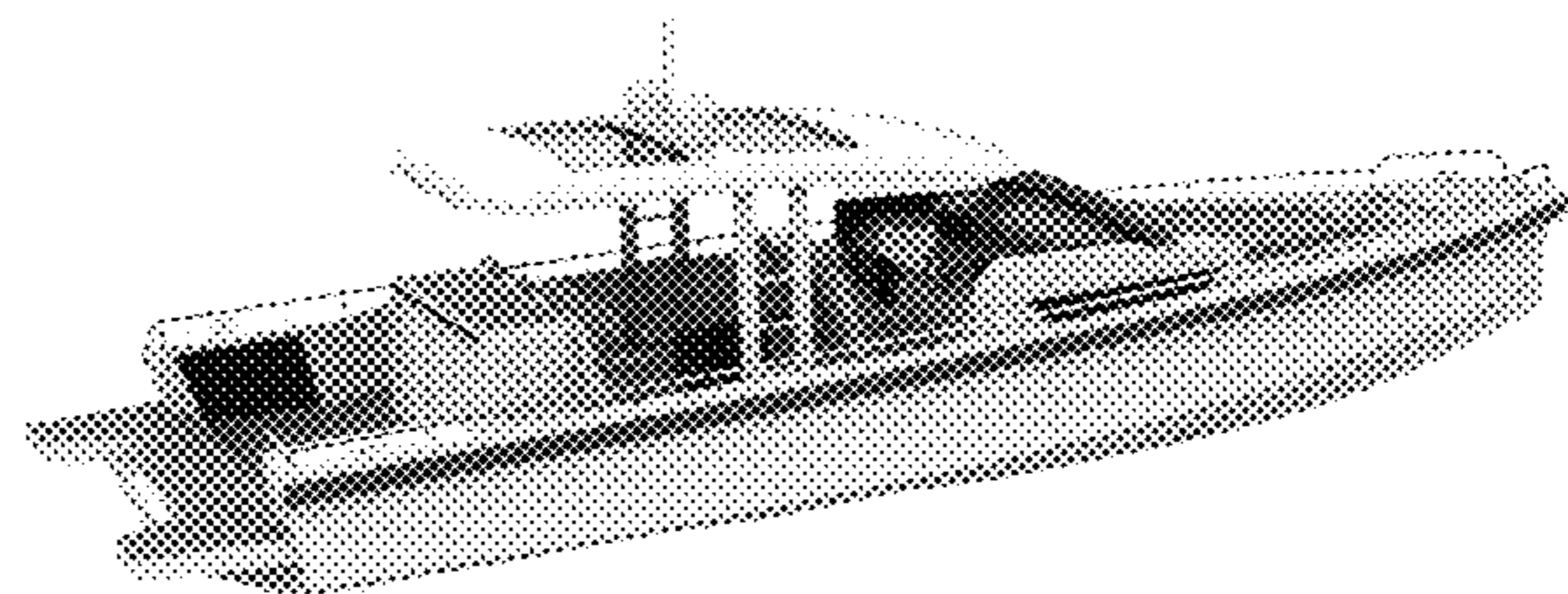
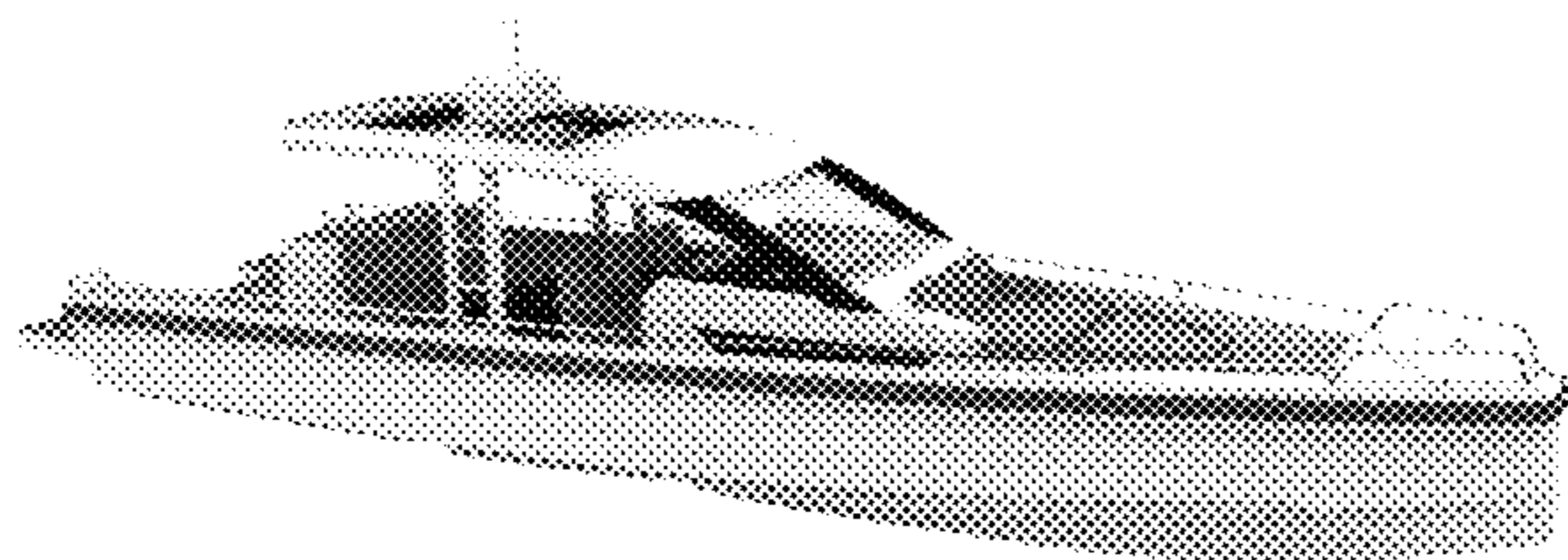
(57) **CLAIM**

The ornamental design for a boat, as shown and described.

DESCRIPTION

FIG. 1 is a perspective front view of a boat showing my new design;
FIG. 2 is a perspective rear view thereof;
FIG. 3 is a right side view thereof;
FIG. 4 is a left side view thereof;
FIG. 5 is a top plan view thereof;
FIG. 6 is a front view thereof;
FIG. 7 is a rear view thereof; and,
FIG. 8 is a bottom view thereof.
Gray scale images of a boat are shown in the figures. The contrast in gray scale represents a contrast in appearance only and does not represent any particular color, material, texture or finish.

1 Claim, 4 Drawing Sheets



(56)

References Cited

U.S. PATENT DOCUMENTS

2014/0202372 A1* 7/2014 de Basto B63B 3/48
114/77 R

OTHER PUBLICATIONS

Elias Johansson, Axopar 28—prisad och prispressad designdröm [online], [retrieved Mar. 29, 2016], Retrieved from Internet <URL: <http://www.hamnen.se/artiklar/motorbatar/axopar-28-prispressad-designdroem.html>>, published Feb. 24, 2014; 5 color sheets. Photograph of product, publication date unknown but prior to the filing date of the present application.

* cited by examiner

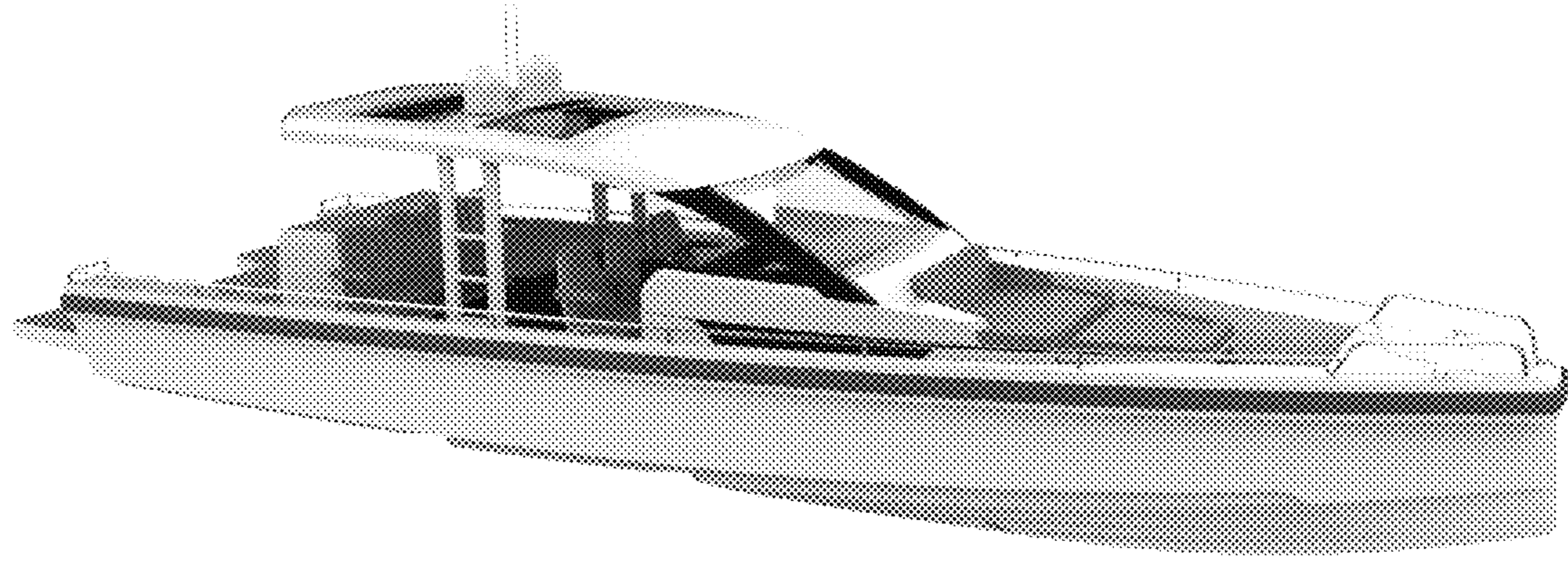


FIG. 1

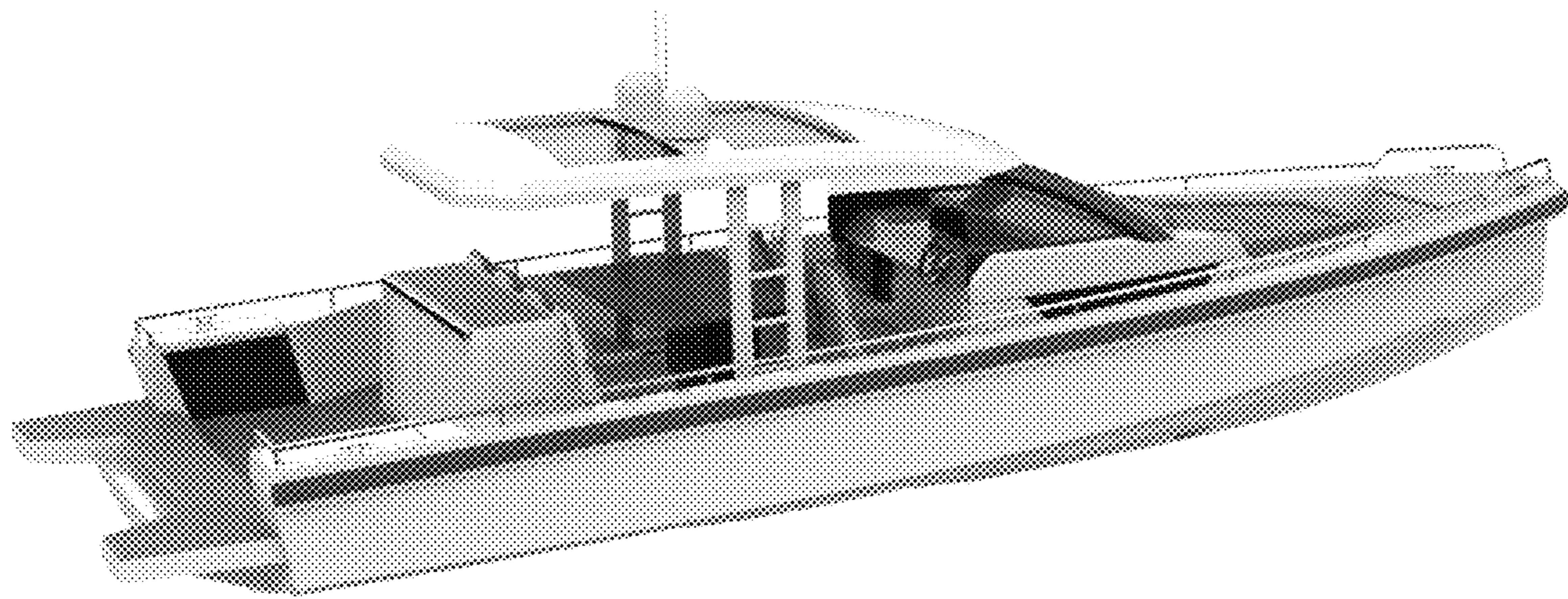


FIG. 2

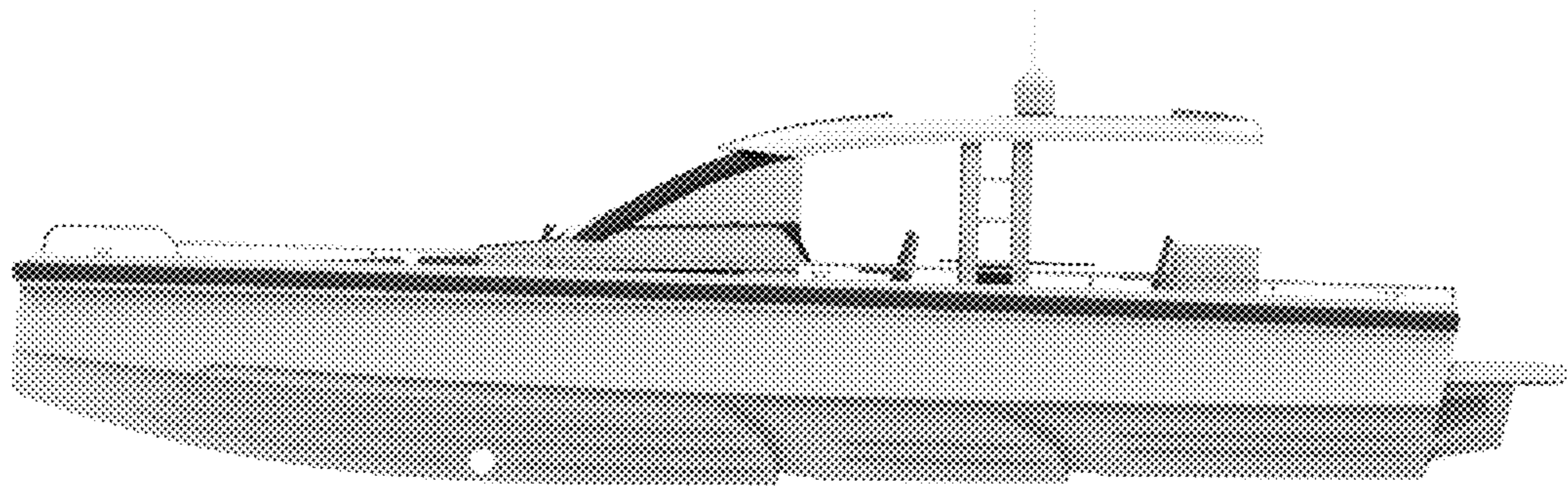


FIG. 3

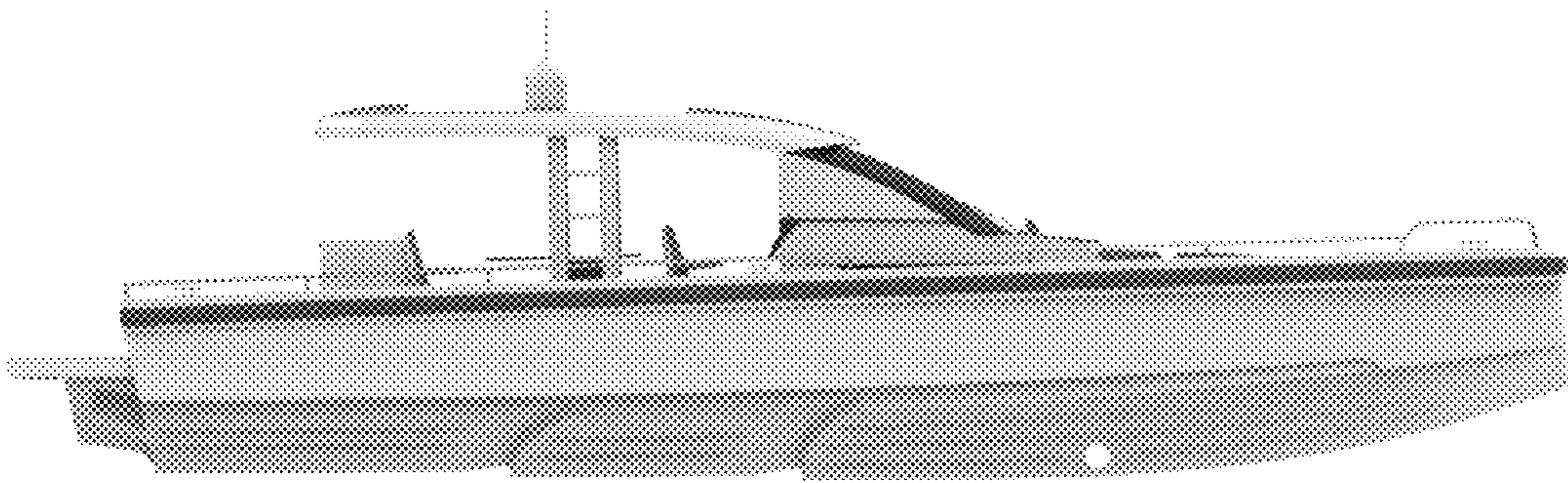


FIG. 4

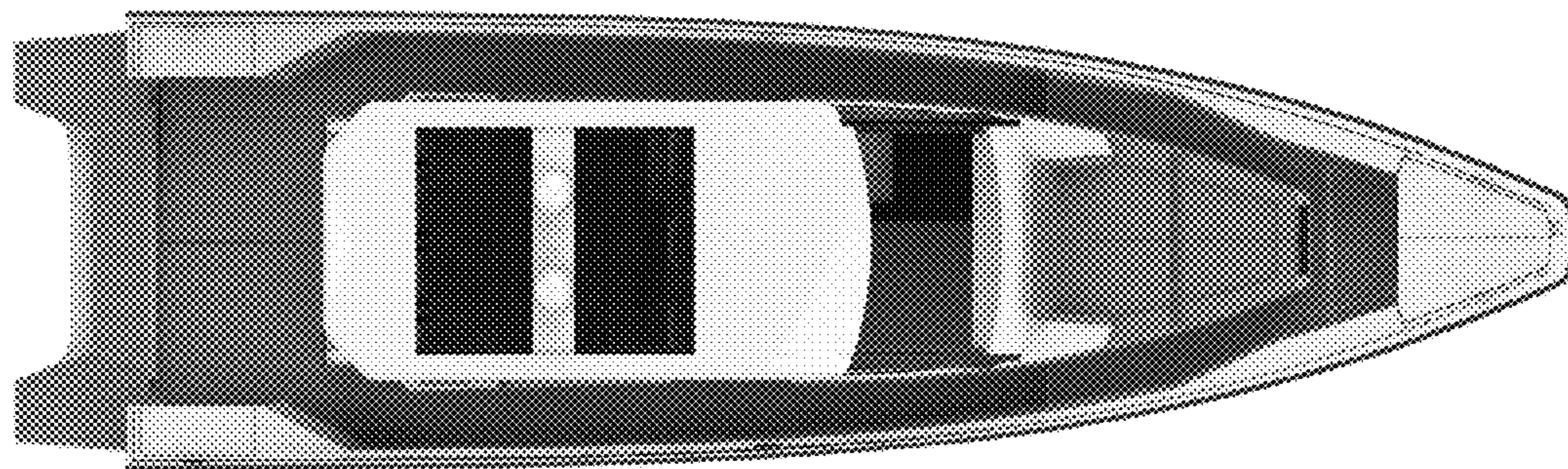


FIG. 5

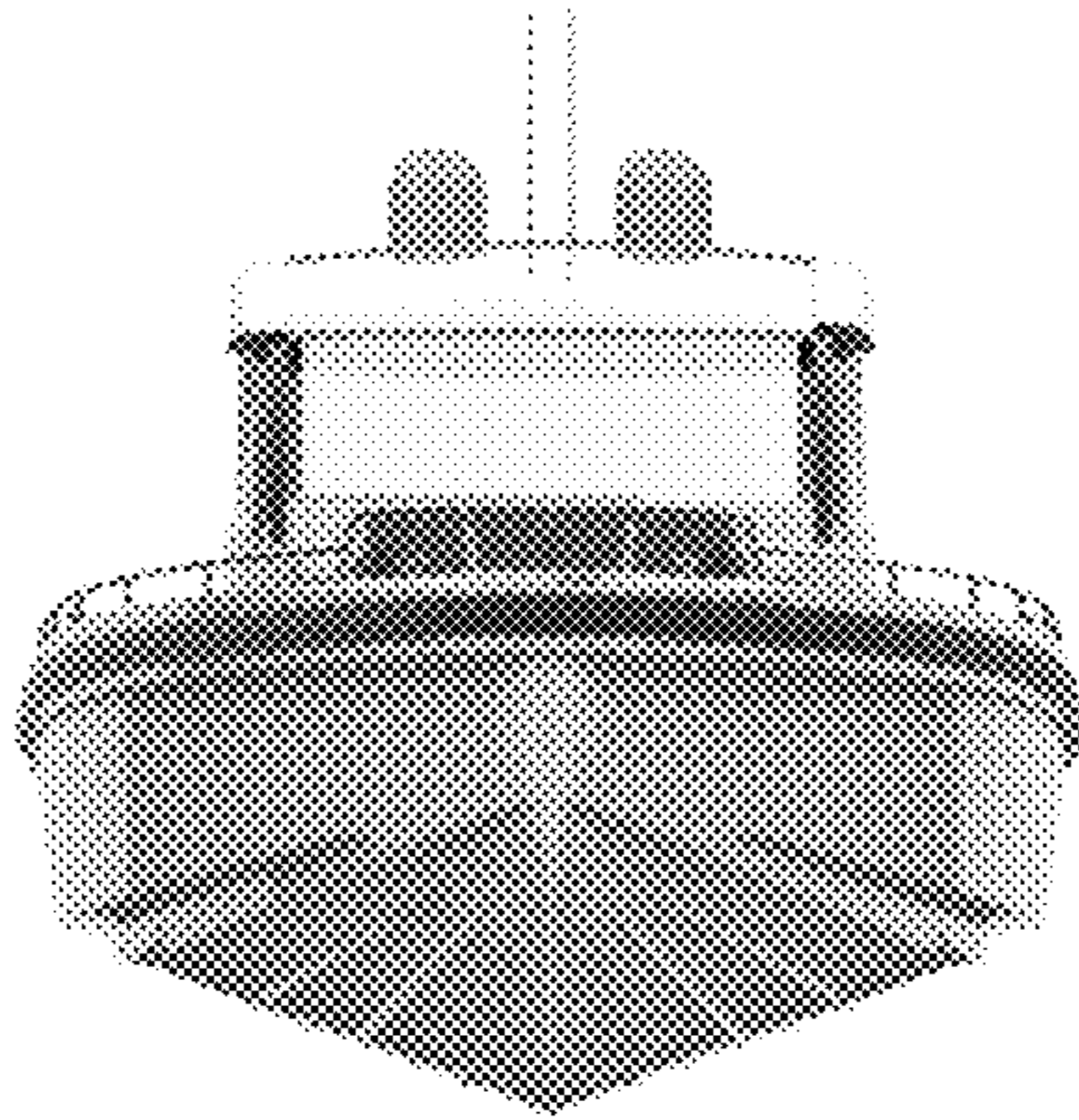


FIG. 6

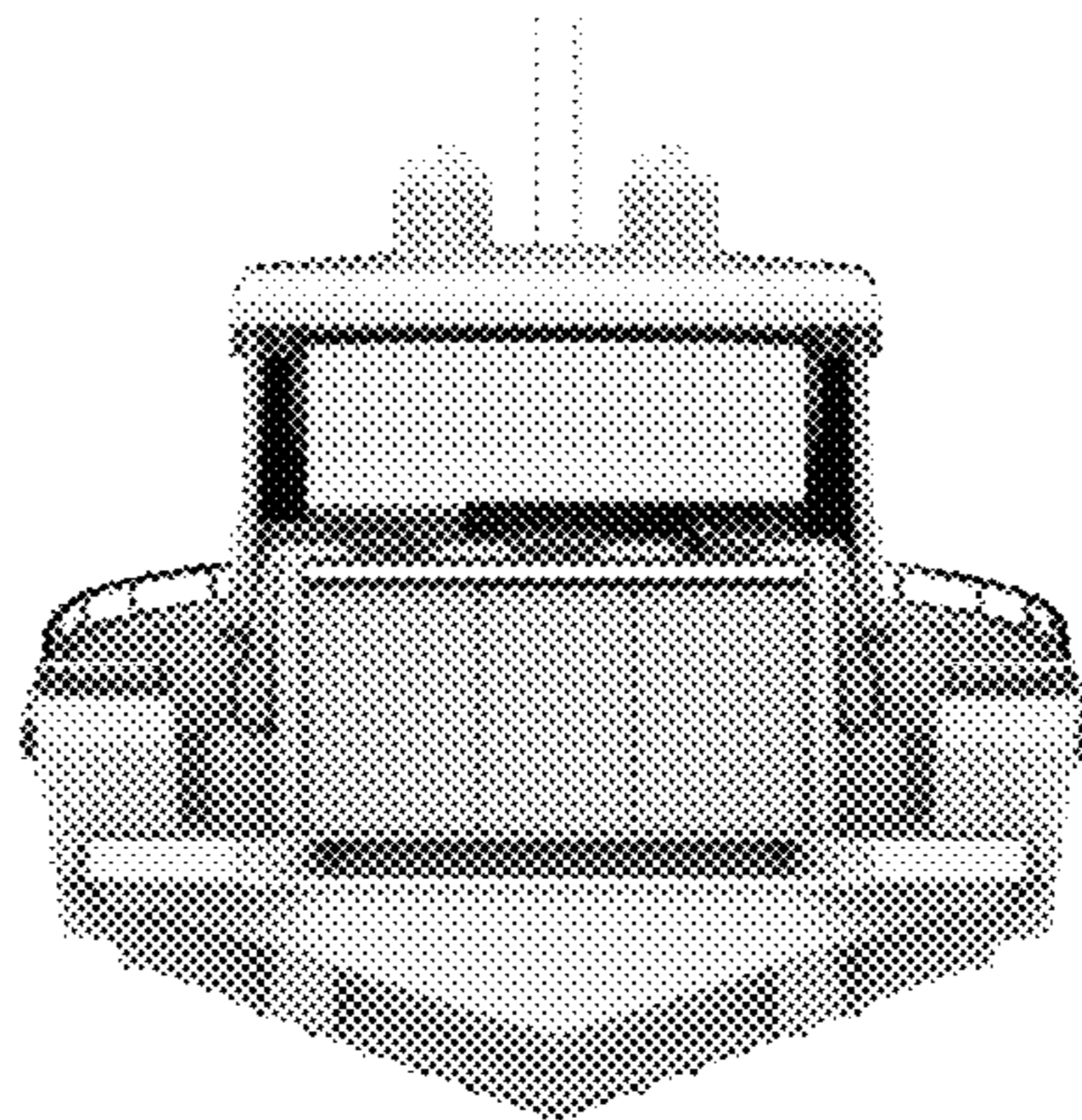


FIG. 7

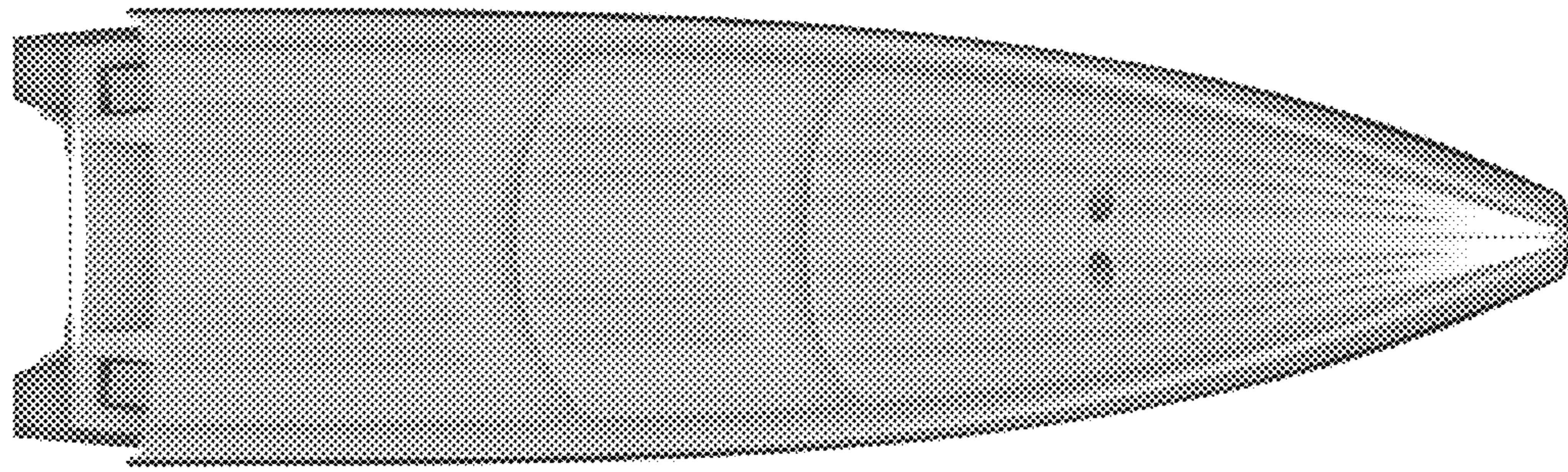


FIG. 8