



US00D826835S

(12) **United States Design Patent**  
**Mattila**

(10) **Patent No.:** **US D826,835 S**

(45) **Date of Patent:** **\*\* Aug. 28, 2018**

- (54) **BOAT**
- (71) Applicant: **Axopar Holdings Oy**, Helsinki (FI)
- (72) Inventor: **Sakari Mattila**, Helsinki (FI)
- (73) Assignee: **Axopar Holdings Oy**, Helsinki (FI)
- (\*\*) Term: **15 Years**
- (21) Appl. No.: **29/630,283**
- (22) Filed: **Dec. 20, 2017**

- D429,682 S 8/2000 Garland et al.
- D464,925 S \* 10/2002 Bassani Antivari ..... D12/300
- 6,474,253 B1 11/2002 Molz
- D488,841 S 4/2004 Yuen
- 6,860,222 B2 \* 3/2005 Himmel ..... B63B 17/02  
114/361
- D506,430 S 6/2005 de Rover
- D524,714 S 7/2006 Barbeito
- D553,071 S 10/2007 de Rover
- D587,641 S 3/2009 Bouckaert
- D739,332 S \* 9/2015 Can ..... D12/315
- D763,776 S 8/2016 Braver et al.

(Continued)

**Related U.S. Application Data**

- (62) Division of application No. 29/549,923, filed on Dec. 29, 2015.
- (51) **LOC (11) Cl.** ..... **12-06**
- (52) **U.S. Cl.**  
USPC ..... **D12/300**
- (58) **Field of Classification Search**  
USPC ..... D12/300, 302, 303, 304, 307, 310-314,  
D12/316, 317; 114/39.11-39.15,  
114/39.21-39.32, 61.1, 61.2, 61.32,  
114/61.33, 62, 355-358, 271, 273, 283,  
114/288-292, 343, 363; 440/27, 35  
CPC ..... B63B 17/00; B63B 17/02; B63B 35/81;  
B63B 35/816; B62B 21/04  
See application file for complete search history.

(56) **References Cited**

**U.S. PATENT DOCUMENTS**

- 4,000,712 A \* 1/1977 Erikson ..... B63B 1/38  
114/284
- 4,383,828 A \* 5/1983 Wynne ..... B63B 1/08  
114/343
- D290,949 S \* 7/1987 Scarboro ..... D12/315
- D315,137 S 3/1991 Runte
- D315,892 S 4/1991 Tollefson et al.
- D329,038 S 9/1992 Dekker et al.

**OTHER PUBLICATIONS**

Axopar Boats Brochure: pp. 1-20, published Sep. 24, 2014, Axopar Boats 2014.

(Continued)

*Primary Examiner* — Cynthia M Chin

(74) *Attorney, Agent, or Firm* — Banner & Witcoff, Ltd.

(57) **CLAIM**

The ornamental design for a boat, as shown and described.

**DESCRIPTION**

FIG. 1 is a perspective front view of a boat showing my new design;

FIG. 2 is a perspective rear view thereof;

FIG. 3 is a right side view thereof;

FIG. 4 is a left side view thereof;

FIG. 5 is a top plan view thereof;

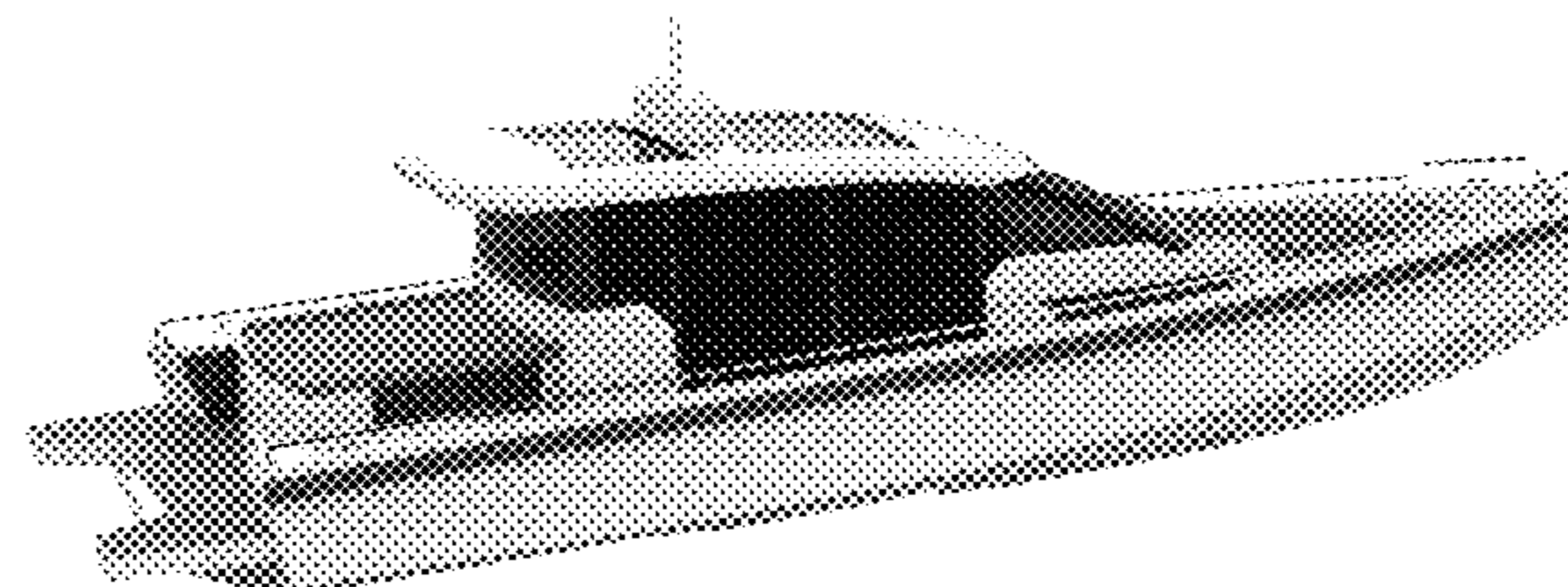
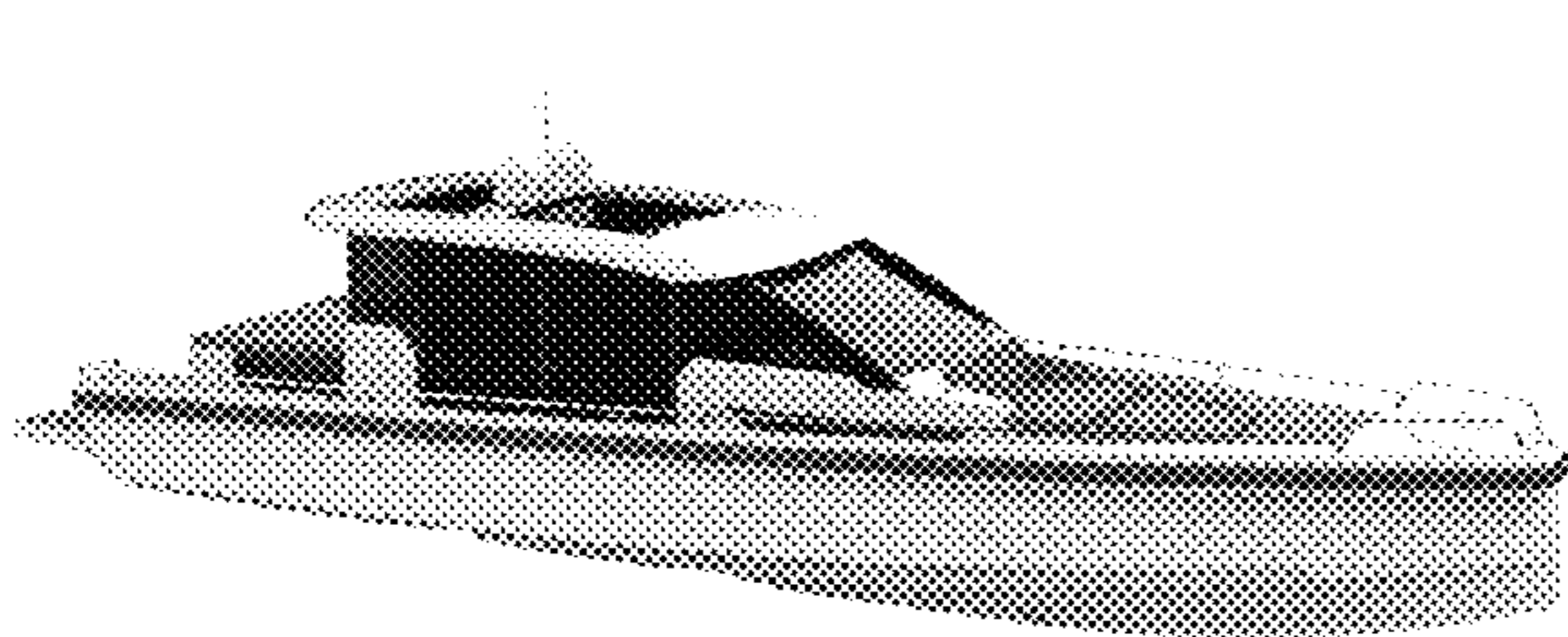
FIG. 6 is a front view thereof;

FIG. 7 is a rear view thereof; and,

FIG. 8 is a bottom view thereof.

Gray scale images of a boat are shown in the figures. The contrast in gray scale represents a contrast in appearance only and does not represent any particular color, material, texture or finish.

**1 Claim, 4 Drawing Sheets**



(56)

**References Cited**

U.S. PATENT DOCUMENTS

D764,376 S      8/2016 Braver et al.  
D770,963 S \* 11/2016 Demaria ..... D12/300

OTHER PUBLICATIONS

Elias Johansson, Axopar 28—prisad och prispressad designdröm [online], [retrieved Mar. 29, 2016], Retrieved from Internet <URL: <http://www.hamnen.se/artiklar/motorbatar/axopar-28-prispressad-designdroem.html>>, published Feb. 24, 2014; 5 color sheets. Photograph of product, publication date unknown but prior to the filing date of the present application.

\* cited by examiner

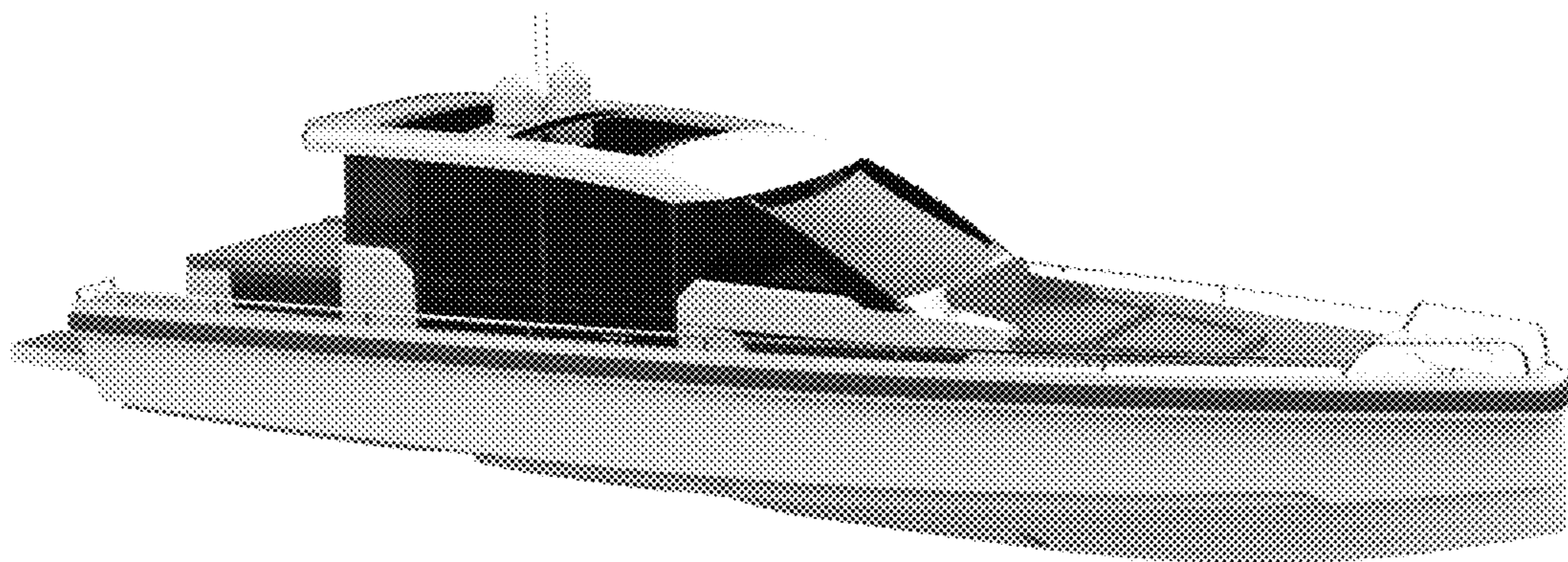


FIG. 1

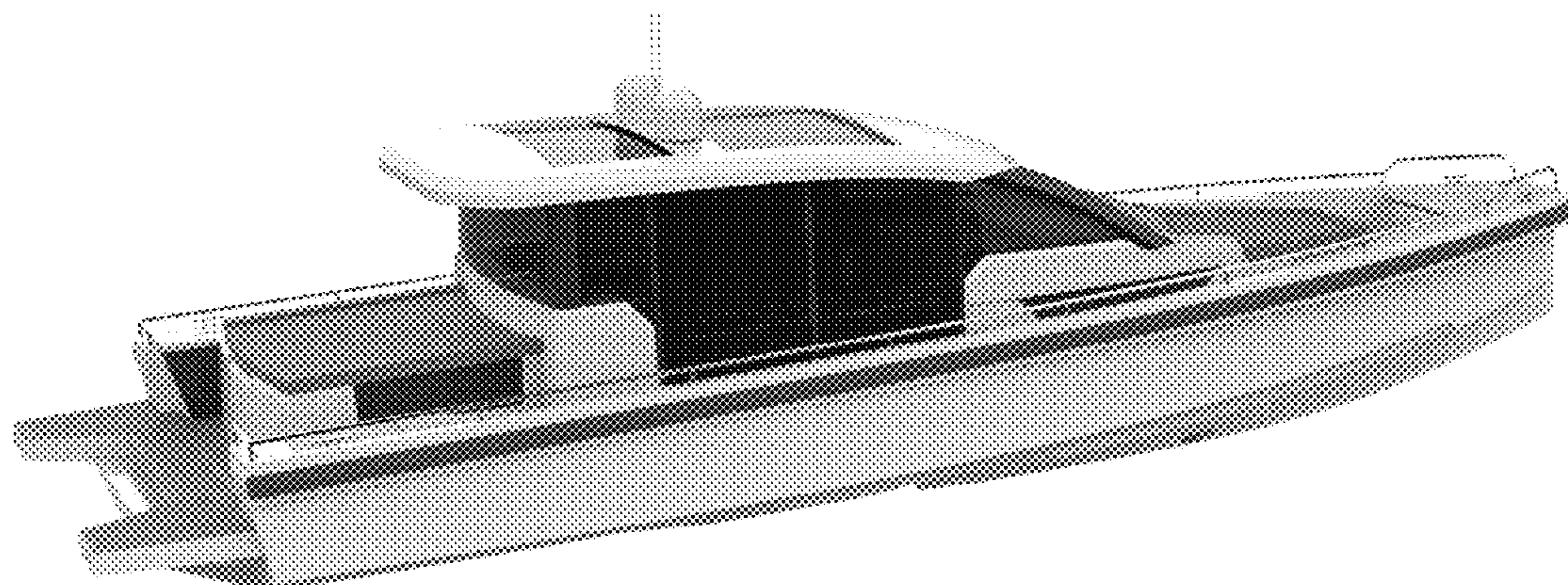


FIG. 2

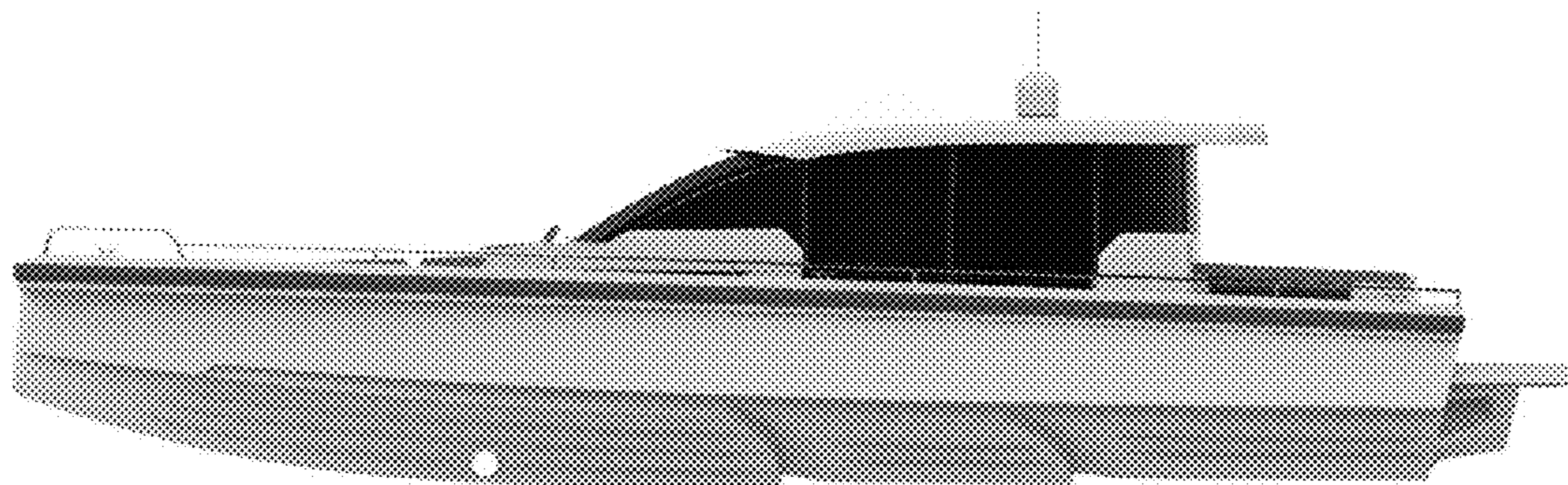


FIG. 3

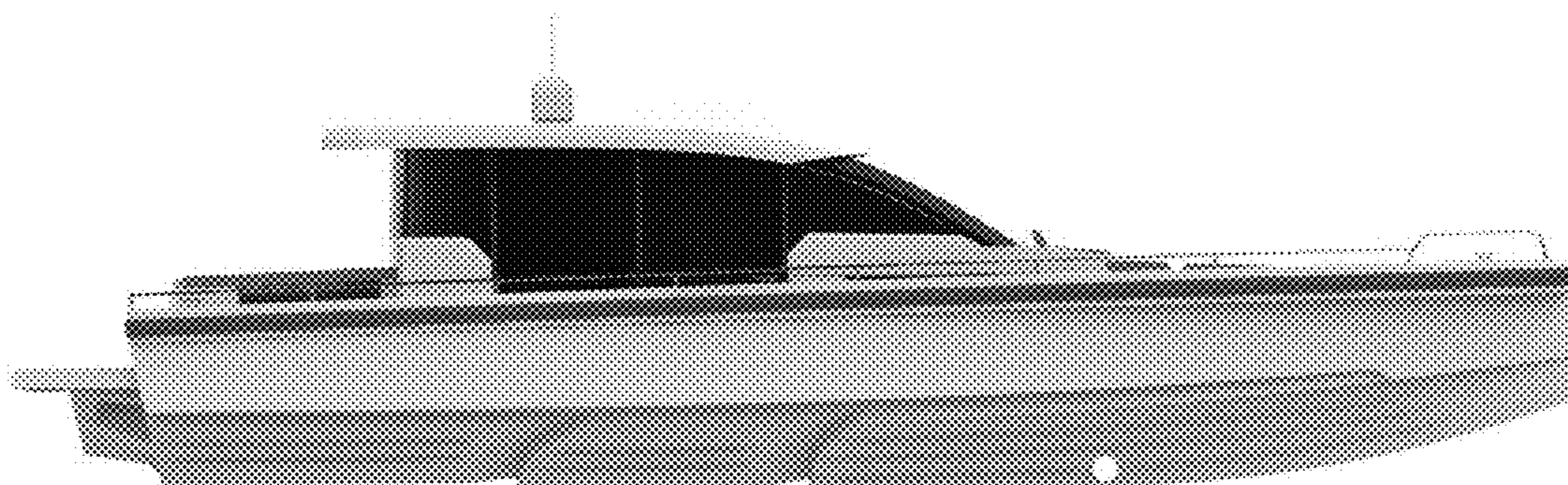


FIG. 4

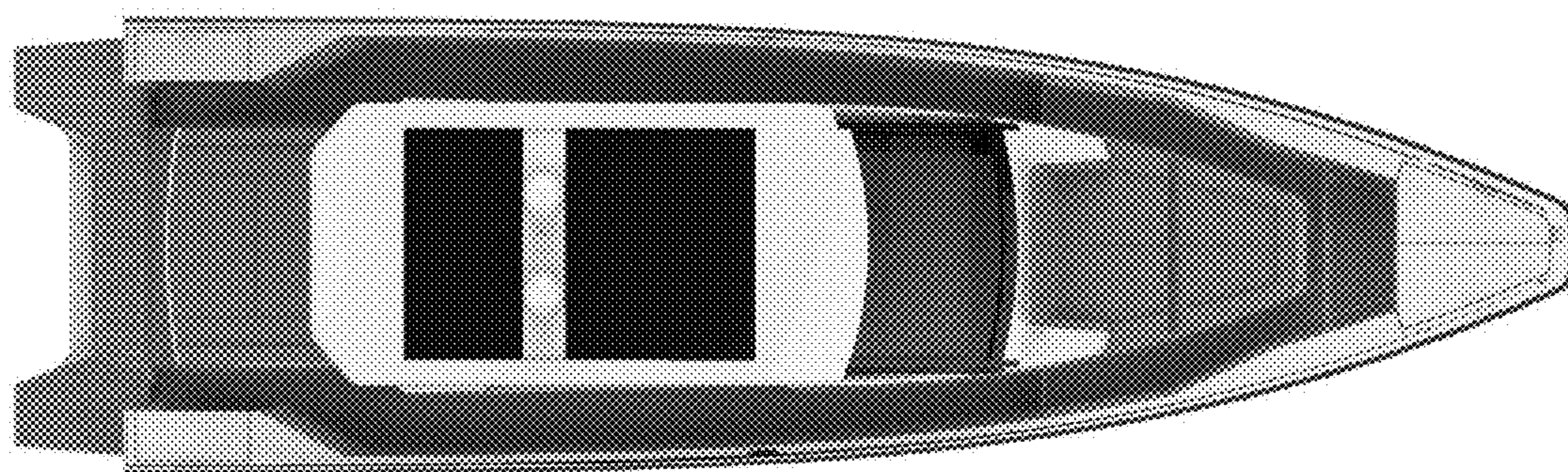


FIG. 5

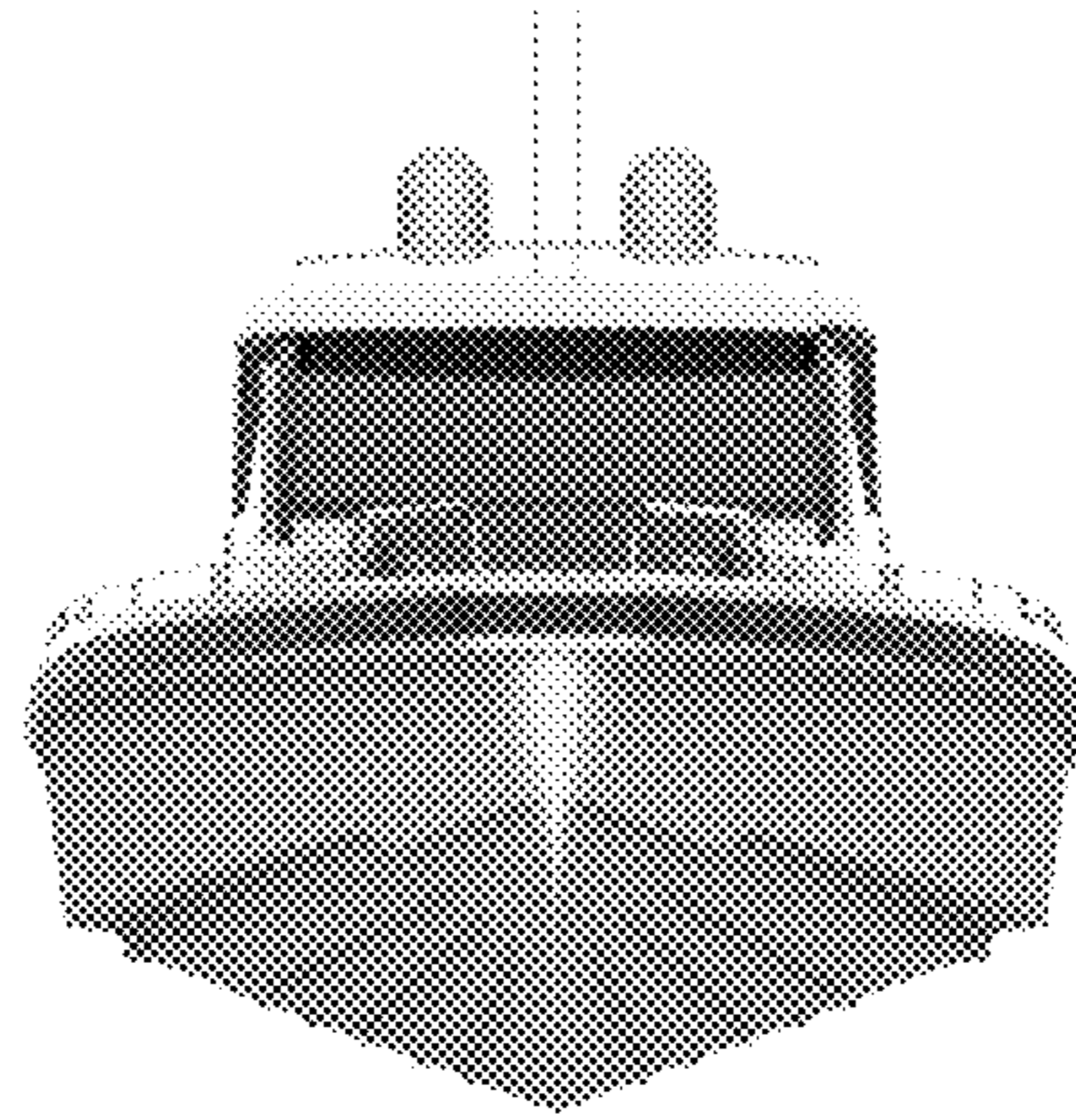


FIG. 6

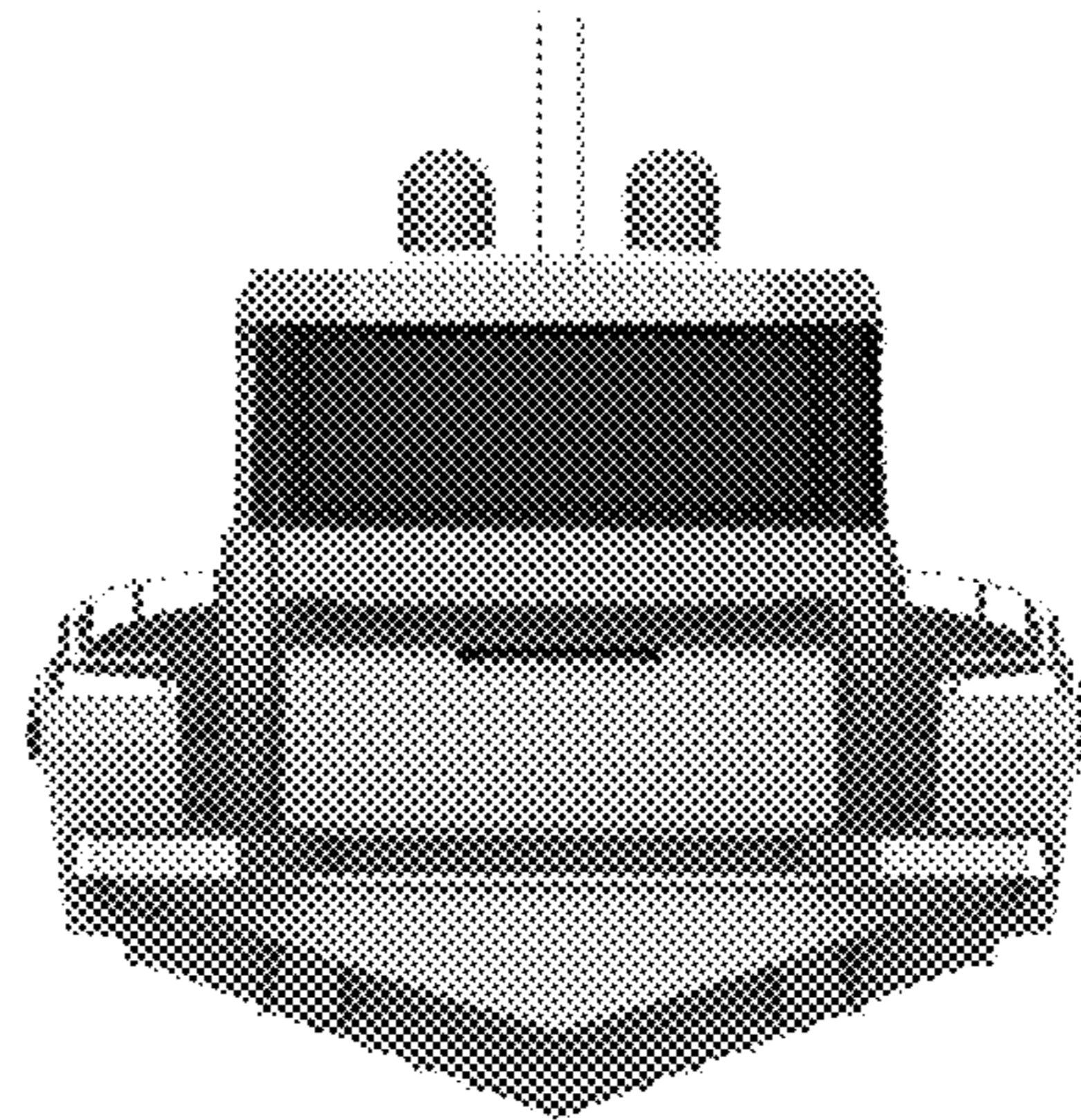


FIG. 7

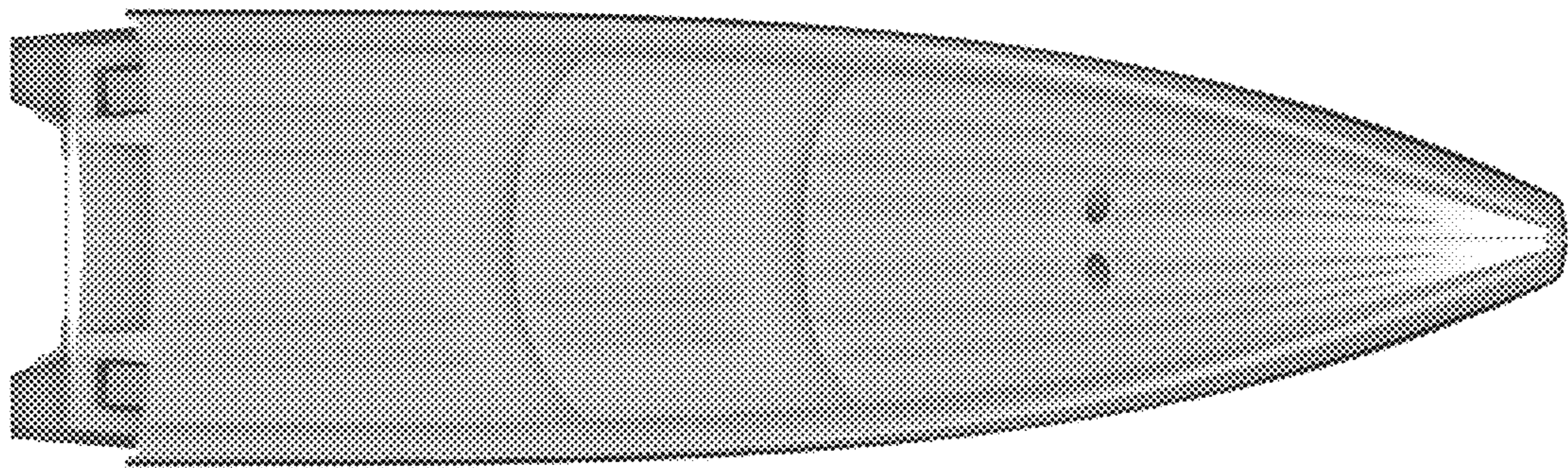


FIG. 8