



US00D826833S

(12) **United States Design Patent**
Mattila

(10) **Patent No.:** **US D826,833 S**

(45) **Date of Patent:** **** Aug. 28, 2018**

(54) **BOAT**

(71) Applicant: **Axopar Holdings Oy**, Helsinki (FI)

(72) Inventor: **Sakari Mattila**, Helsinki (FI)

(73) Assignee: **Axopar Holdings Oy**, Helsinki (FI)

(**) Term: **15 Years**

(21) Appl. No.: **29/630,279**

(22) Filed: **Dec. 20, 2017**

Related U.S. Application Data

(62) Division of application No. 29/549,920, filed on Dec. 29, 2015.

(51) **LOC (11) Cl.** **12-06**

(52) **U.S. Cl.**
USPC **D12/300**

(58) **Field of Classification Search**
USPC D12/300, 302, 303, 304, 307, 310-314,
D12/316, 317; 114/39.11-39.15,
114/39.21-39.32, 61.1, 61.2, 61.32,
114/61.33, 62, 355-358, 271, 273, 283,
114/288-292, 343, 363; 440/27, 35
CPC B63B 17/00; B63B 17/02; B63B 35/81;
B63B 35/816; B62B 21/04
See application file for complete search history.

(56) **References Cited**

U.S. PATENT DOCUMENTS

- | | | | | |
|---------------|--------|------------------|-------|-----------------------|
| D288,087 S * | 2/1987 | Hegg | | D12/315 |
| 4,742,795 A * | 5/1988 | DePrey | | B63B 19/08
114/343 |
| D315,137 S | 3/1991 | Runte | | |
| D315,892 S | 4/1991 | Tollefson et al. | | |
| D329,038 S | 9/1992 | Dekker et al. | | |
| D393,443 S * | 4/1998 | Cassell | | D12/314 |
| D429,682 S | 8/2000 | Garland et al. | | |

- | | | |
|--------------|---------|----------|
| 6,474,253 B1 | 11/2002 | Molz |
| D488,841 S | 4/2004 | Yuen |
| D506,430 S | 6/2005 | de Rover |

(Continued)

OTHER PUBLICATIONS

Axopar Boats Brochure: pp. 1-20, published Sep. 24, 2014, Axopar Boats 2014.

(Continued)

Primary Examiner — Cynthia M Chin

(74) *Attorney, Agent, or Firm* — Banner & Witcoff, Ltd.

(57) **CLAIM**

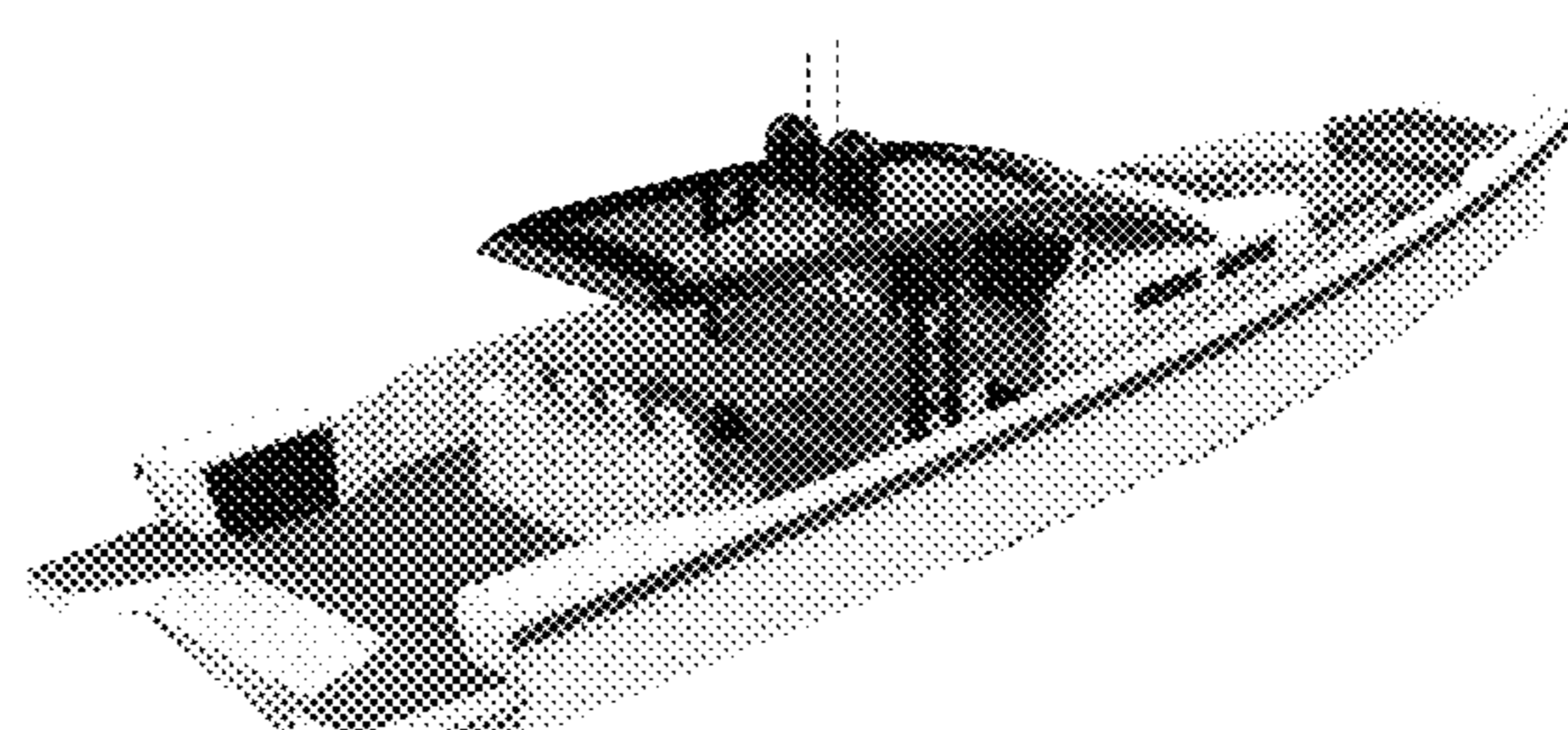
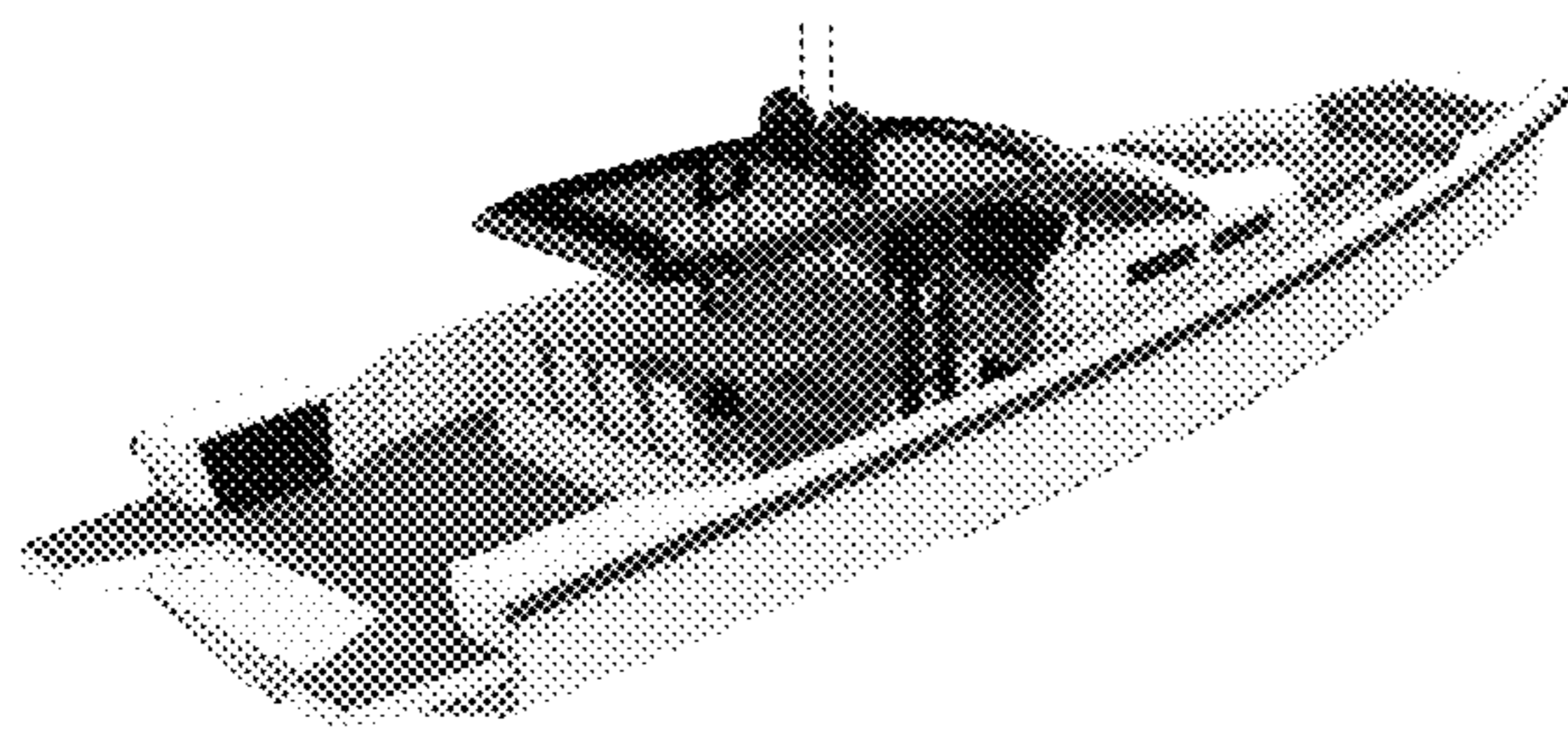
The ornamental design for a boat, as shown and described.

DESCRIPTION

FIG. 1 is a perspective front view of a first embodiment of a boat showing my new design;
FIG. 2 is a perspective rear view thereof;
FIG. 3 is a right side view thereof;
FIG. 4 is a left side view thereof;
FIG. 5 is a top plan view thereof;
FIG. 6 is a front view thereof;
FIG. 7 is a rear view thereof;
FIG. 8 is a bottom view thereof;
FIG. 9 is a perspective front view of a second embodiment of a boat showing my new design;
FIG. 10 is a perspective rear view thereof;
FIG. 11 is a right side view thereof;
FIG. 12 is a left side view thereof;
FIG. 13 is a top plan view thereof;
FIG. 14 is a front view thereof;
FIG. 15 is a rear view thereof; and,
FIG. 16 is a bottom view thereof.

Gray scale images of a boat are shown in the figures. The contrast in gray scale represents a contrast in appearance only and does not represent any particular color, material, texture or finish.

1 Claim, 8 Drawing Sheets



(56)

References Cited

U.S. PATENT DOCUMENTS

D524,714 S	7/2006	Barbeito	
D553,071 S	10/2007	de Rover	
D587,641 S	3/2009	Bouckaert	
D700,127 S *	2/2014	Fuller, IV D12/300
D762,156 S *	7/2016	Braver D12/317
D763,776 S	8/2016	Braver et al.	
D764,376 S	8/2016	Braver et al.	
D770,963 S *	11/2016	Demaria D12/300
2014/0202372 A1 *	7/2014	de Basto B63B 3/48 114/77 R

OTHER PUBLICATIONS

Elias Johansson, Axopar 28—prisad och prispressad designdröm [online], [retrieved Mar. 29, 2016], Retrieved from Internet <URL: <http://www.hamnen.se/artiklar/motorbatar/axopar-28-prispressad-designdroem.html>>, published Feb. 24, 2014; 5 color sheets. Photograph of product, publication date unknown but prior to the filing date of the present application.

* cited by examiner

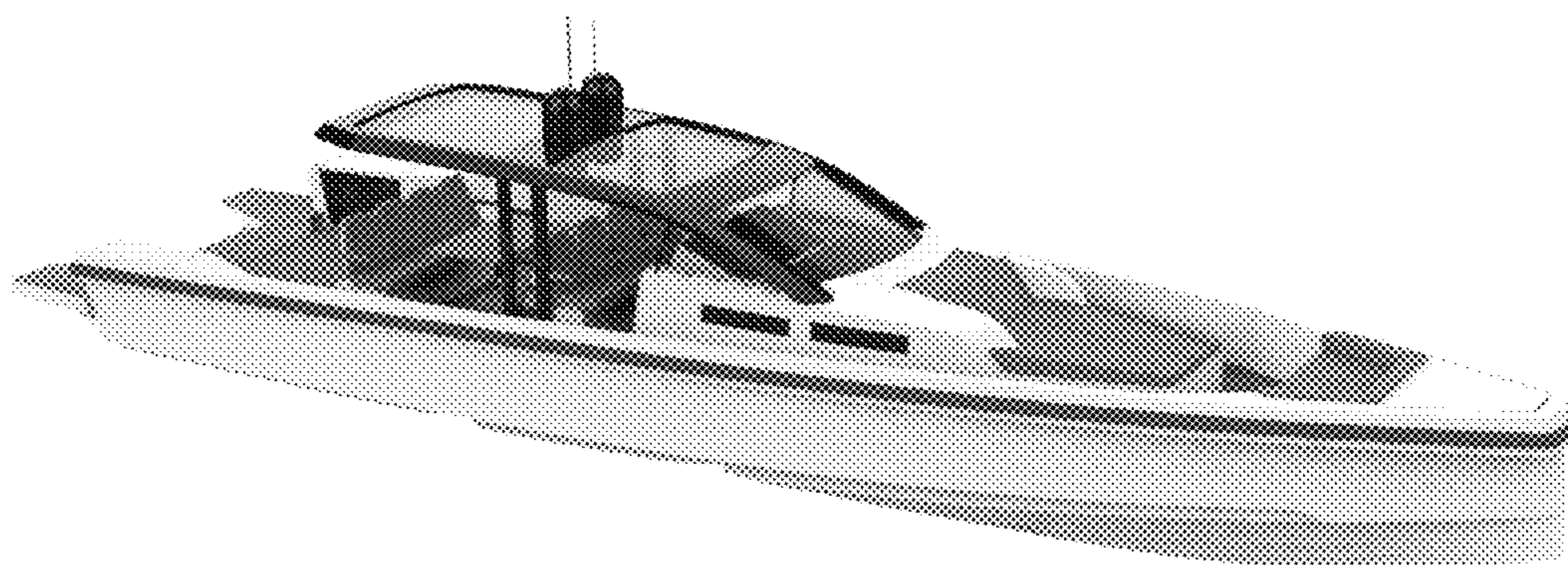


FIG. 1

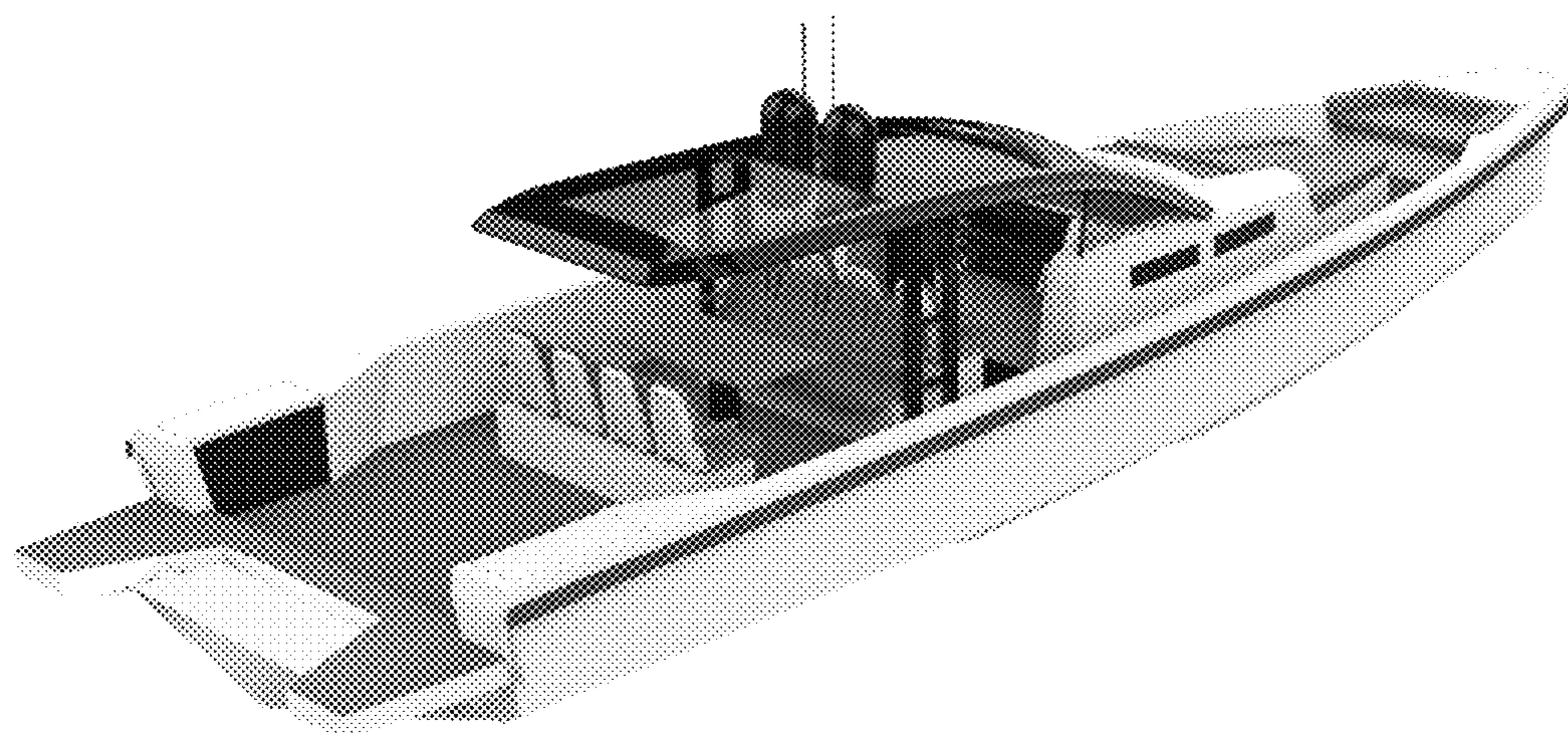


FIG. 2

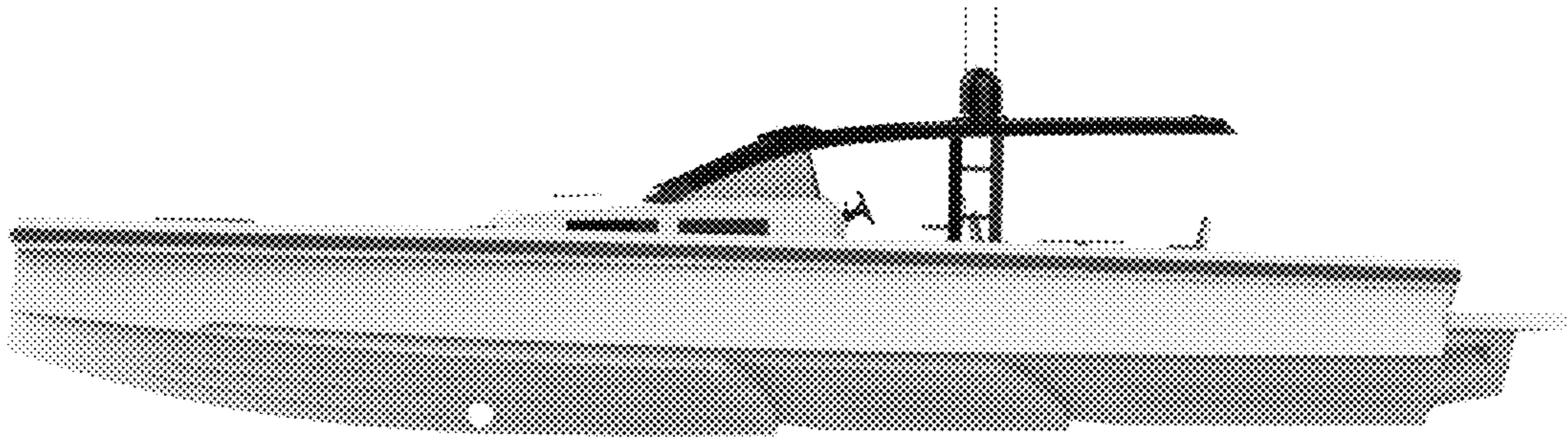


FIG. 3

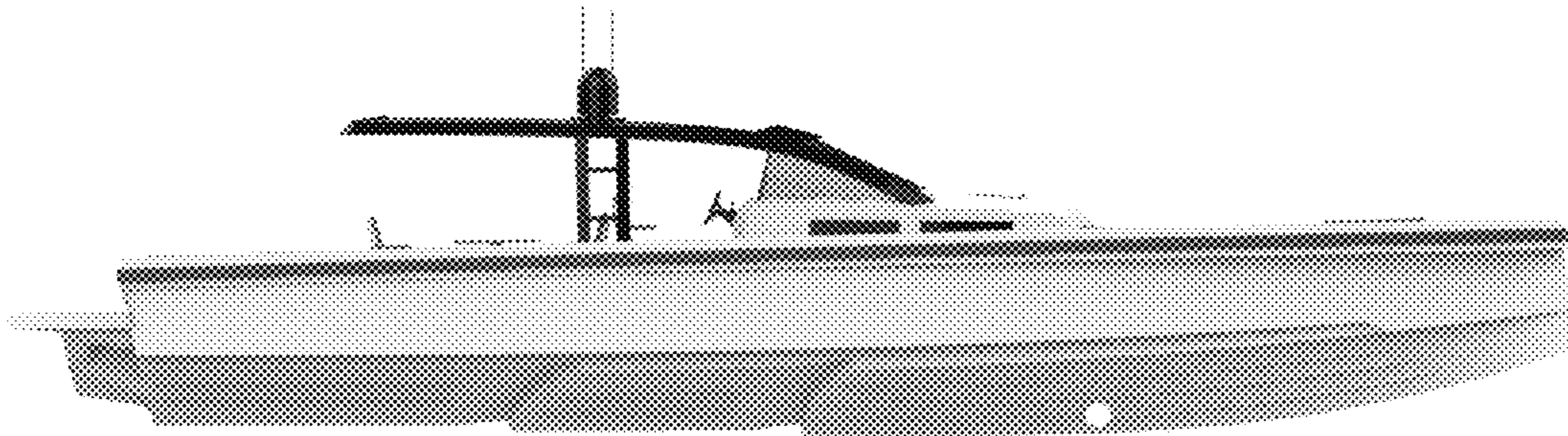


FIG. 4

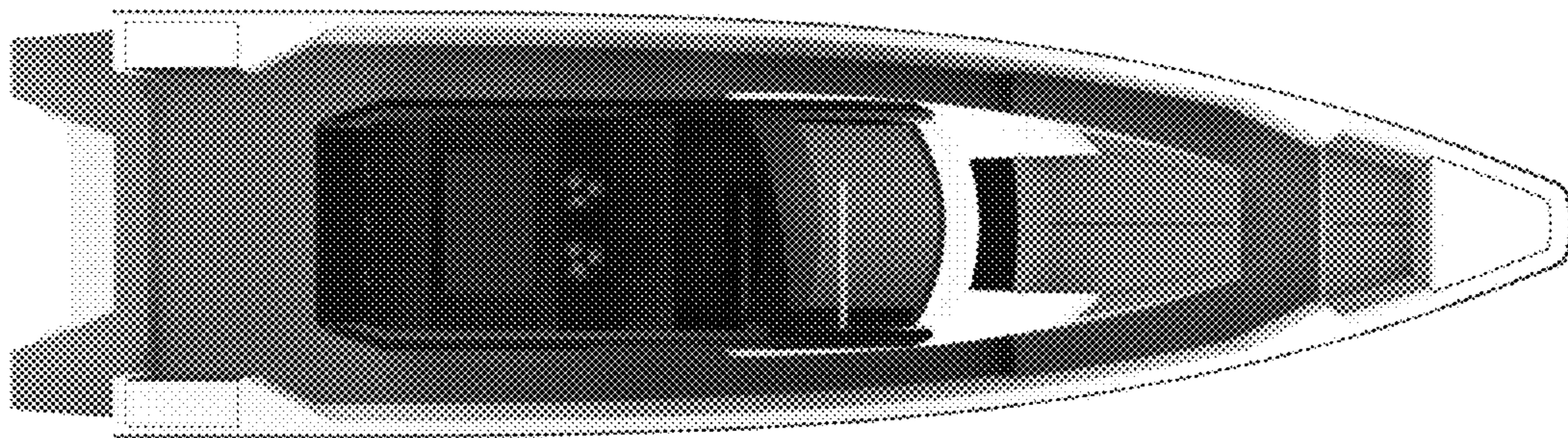


FIG. 5

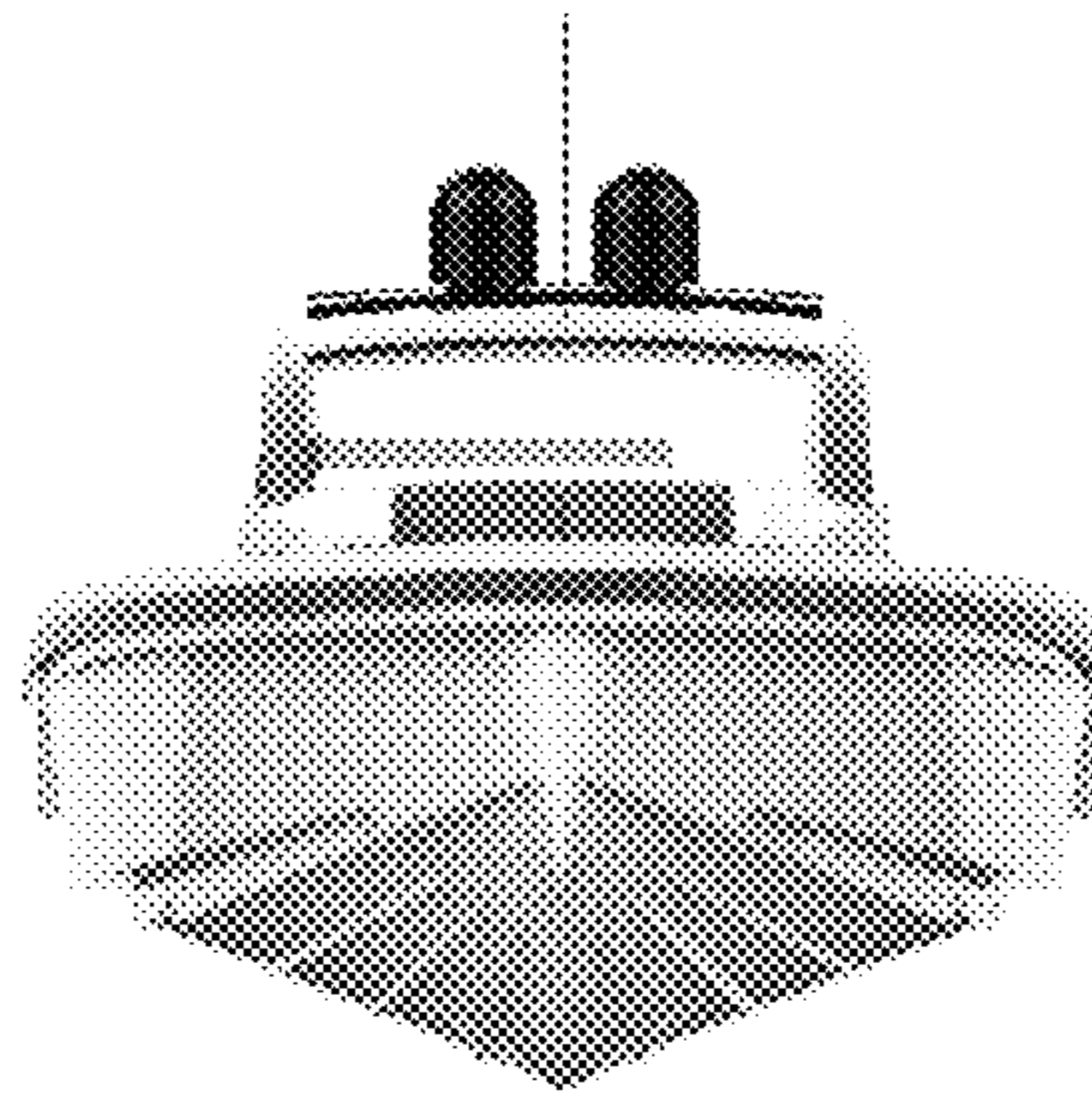


FIG. 6

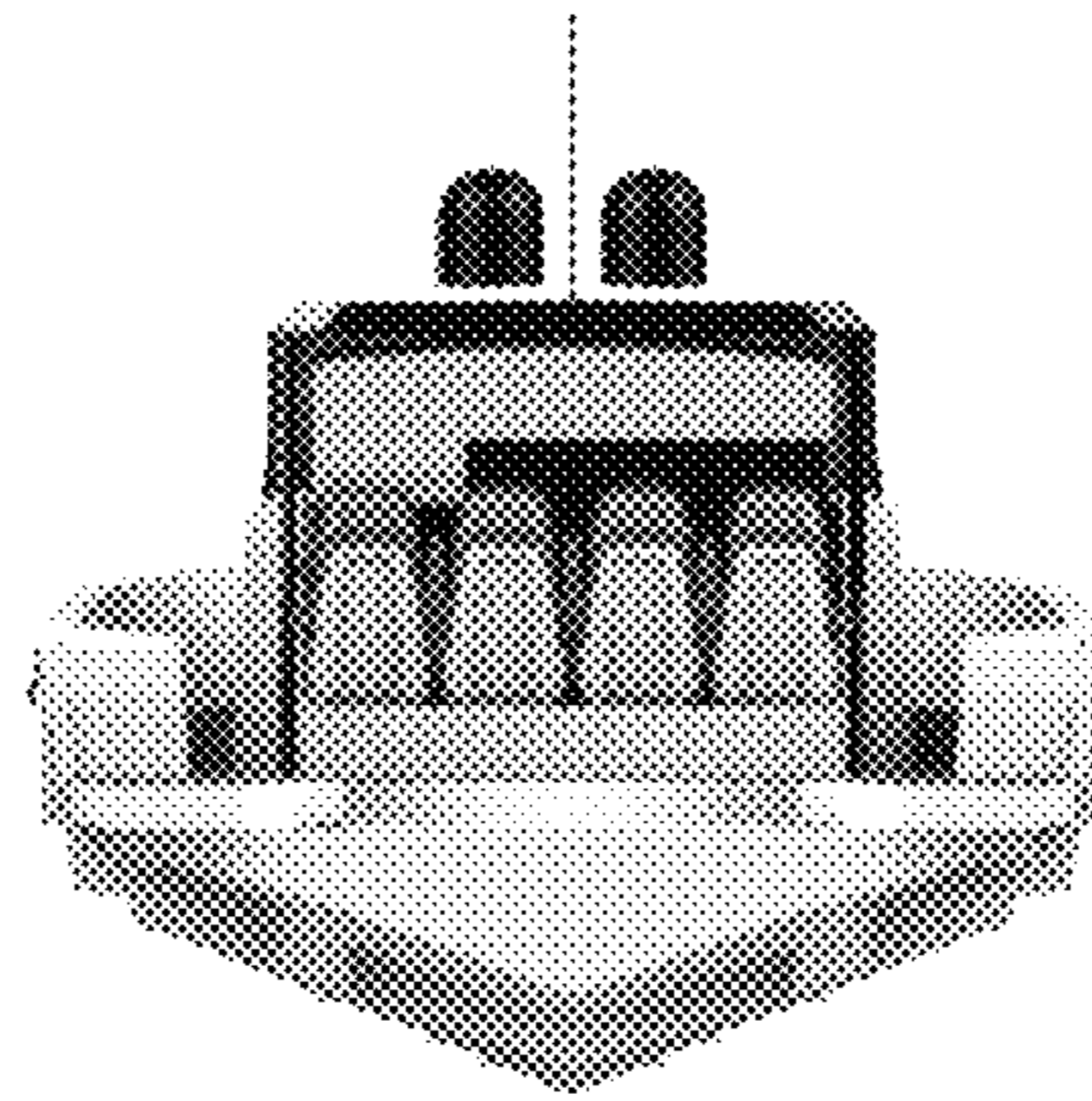


FIG. 7

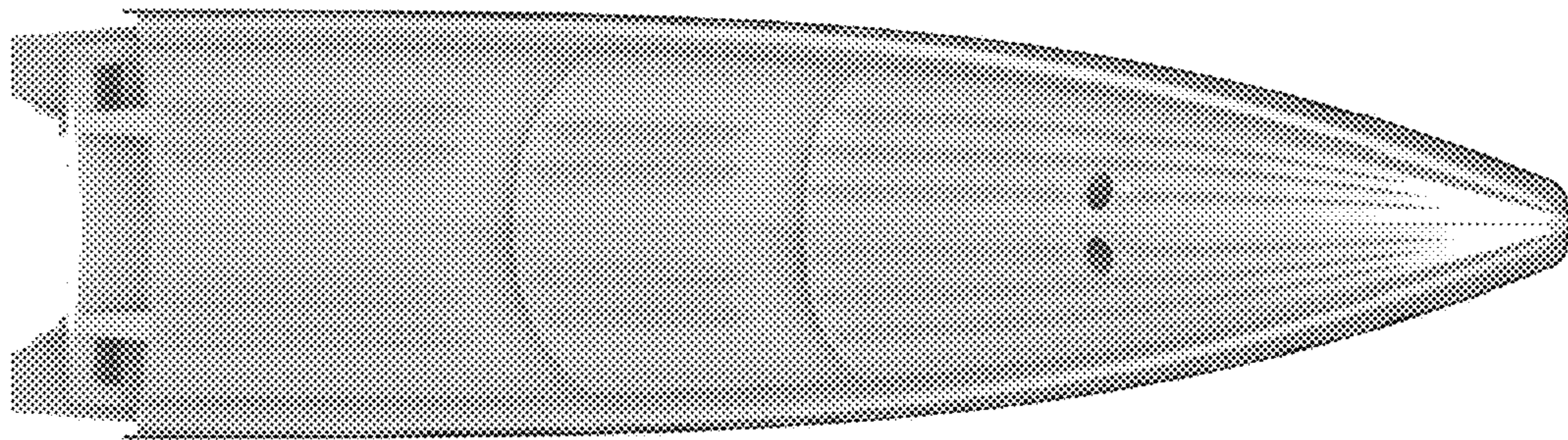


FIG. 8

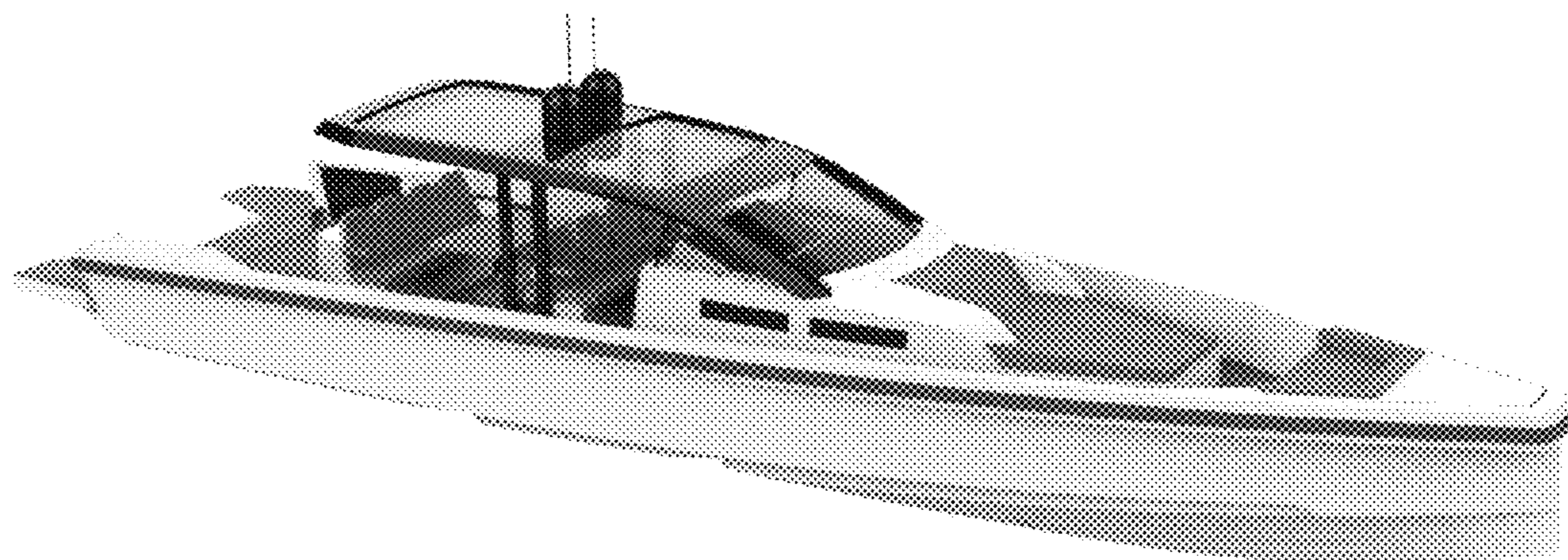


FIG. 9

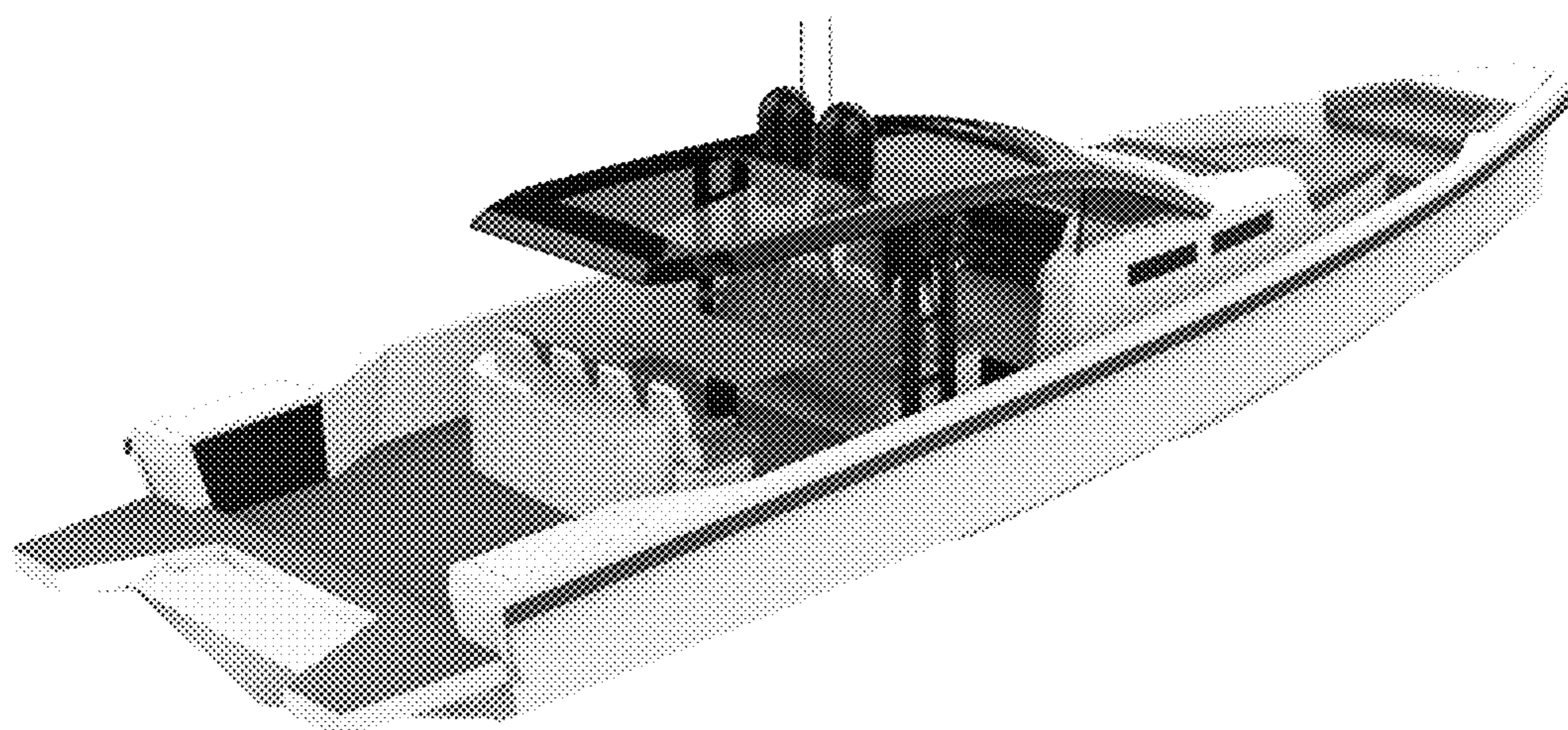


FIG. 10

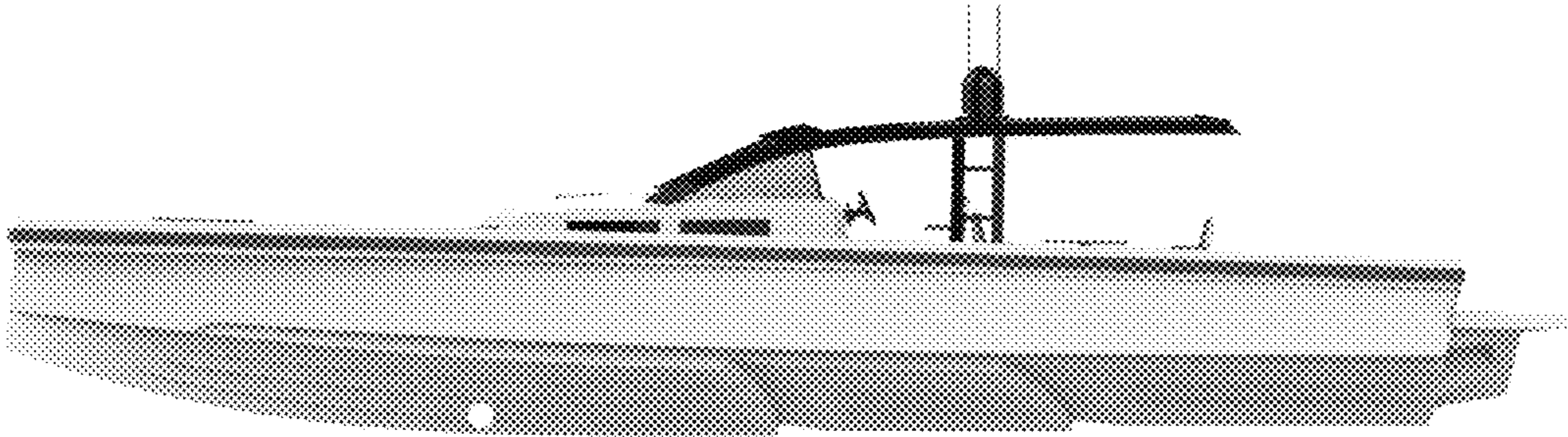


FIG. 11

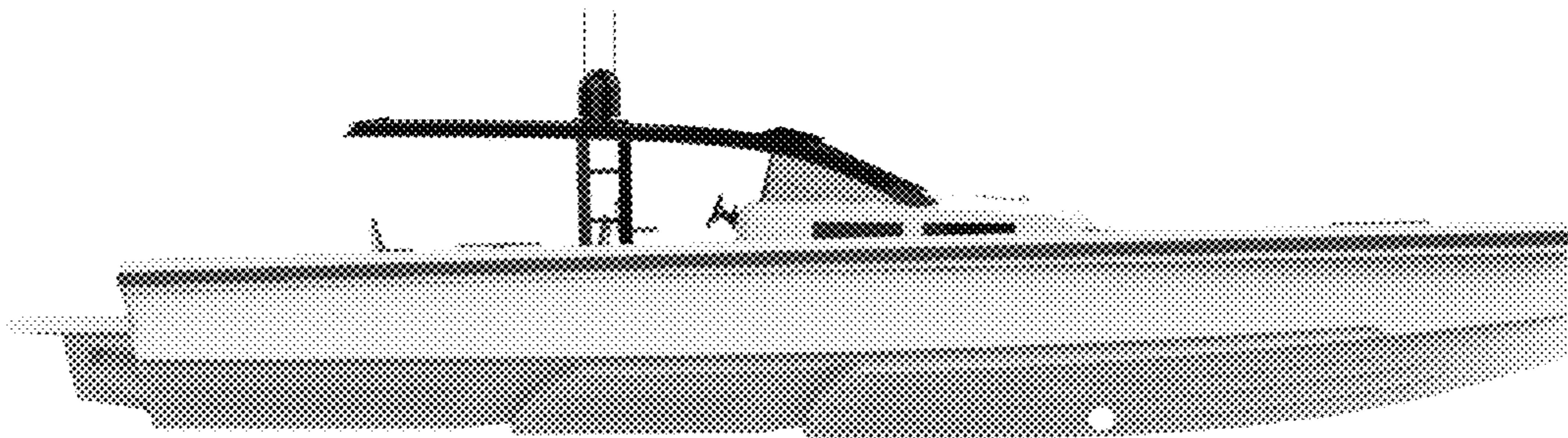


FIG. 12

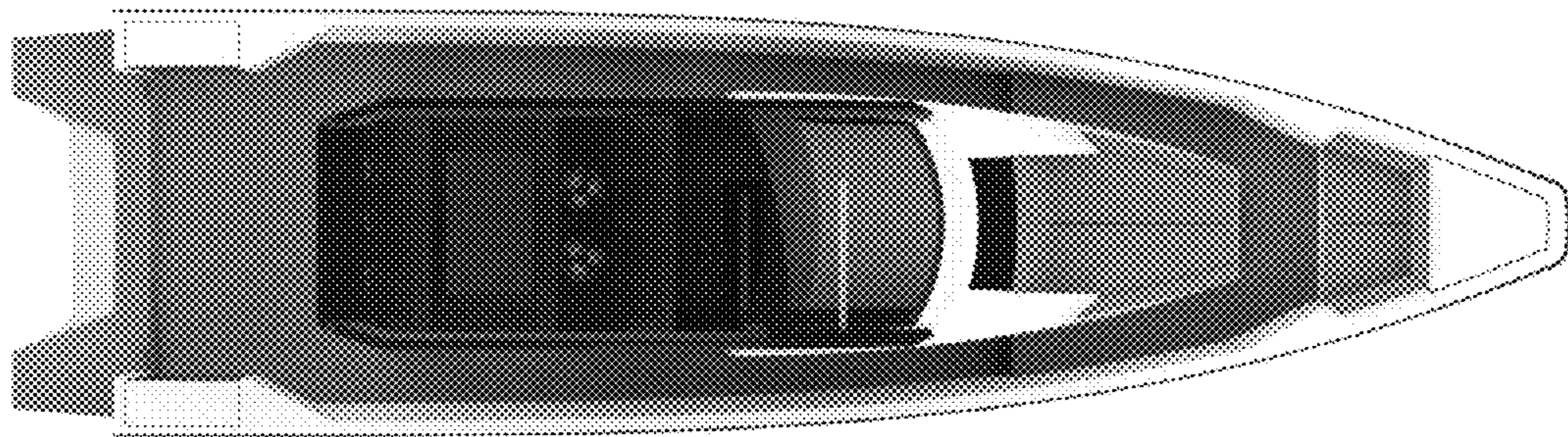


FIG. 13

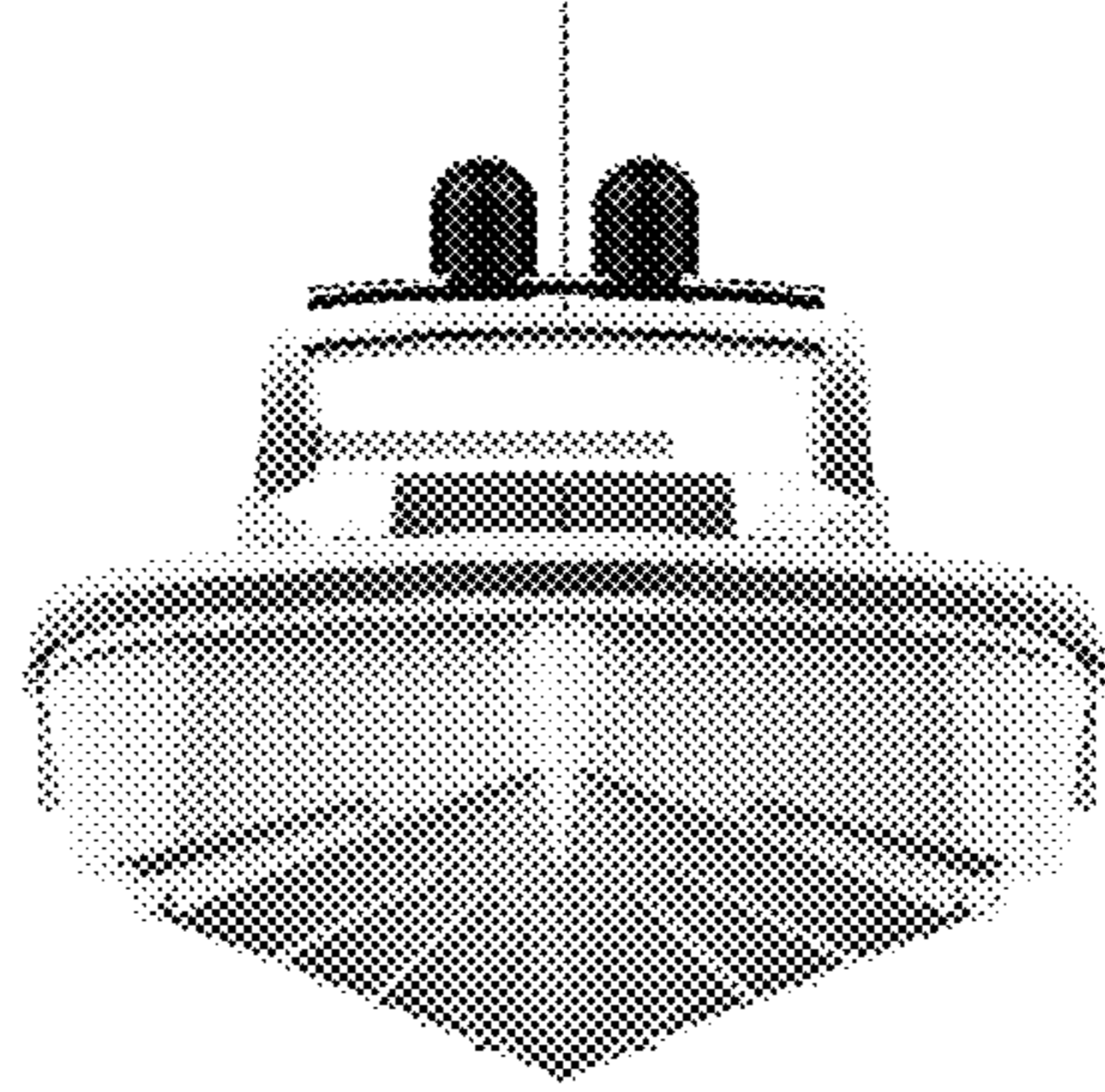


FIG. 14

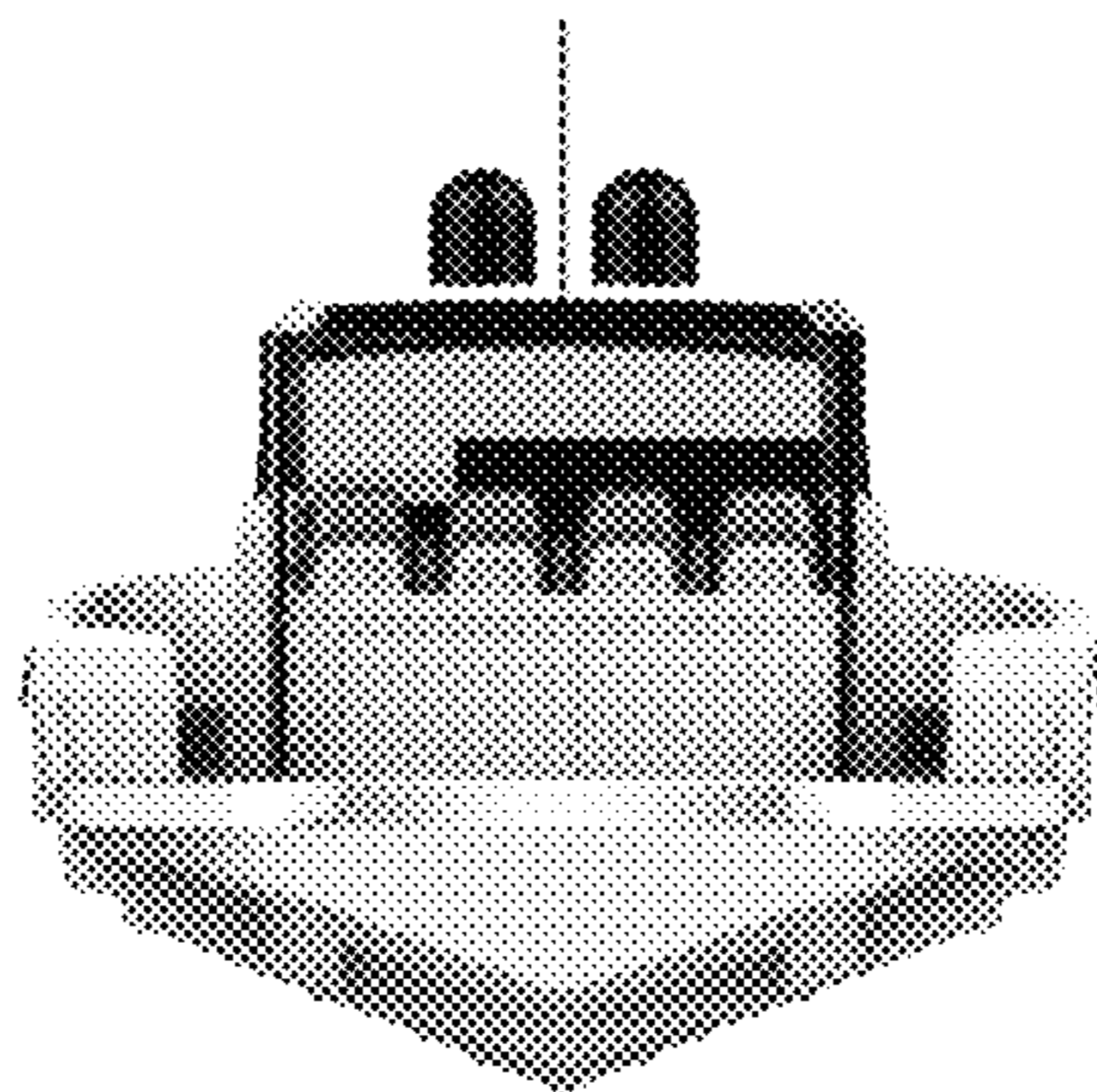


FIG. 15

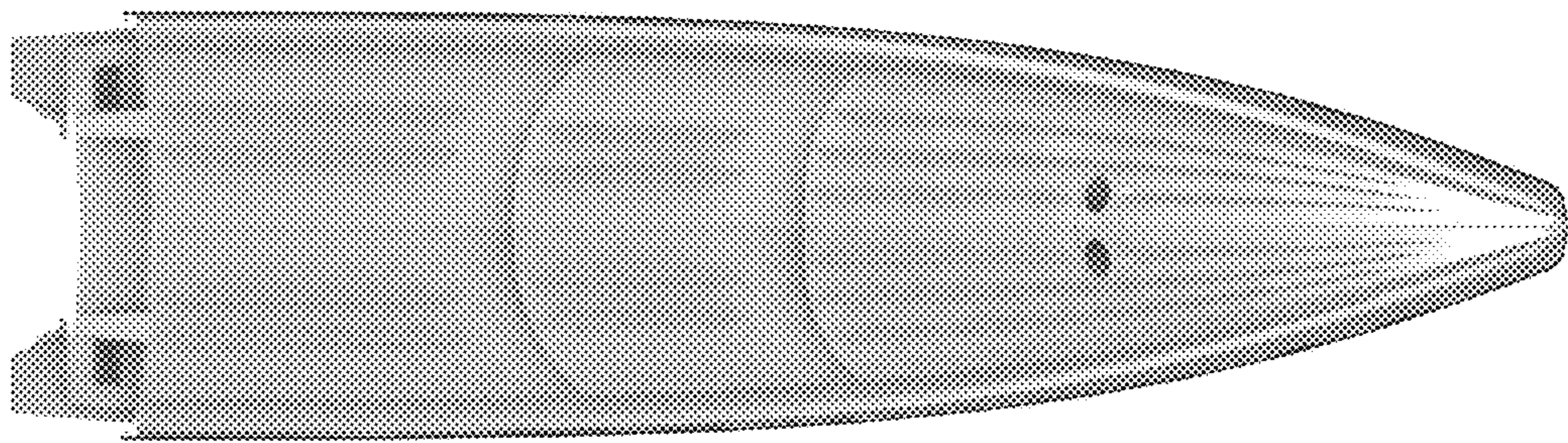


FIG. 16