



US00D826831S

(12) **United States Design Patent** (10) **Patent No.:** **US D826,831 S**
Eck et al. (45) **Date of Patent:** **** Aug. 28, 2018**

(54) **ROLL CAGE**

(71) Applicant: **BOMBARDIER RECREATIONAL PRODUCTS INC.**, Valcourt (CA)

(72) Inventors: **Richard Eck**, Bromont (CA); **Matt Tandrup**, Bromont (CA); **Alexei Mikhailov**, Bromont (CA)

(73) Assignee: **BOMBARDIER RECREATIONAL PRODUCTS INC.**, Valcourt (CA)

(**) Term: **15 Years**

(21) Appl. No.: **29/586,177**

(22) Filed: **Dec. 1, 2016**

Related U.S. Application Data

(63) Continuation-in-part of application No. 29/574,147, filed on Aug. 12, 2016, now Pat. No. Des. 804,993.

(51) **LOC (11) Cl.** **12-03**

(52) **U.S. Cl.**
USPC **D12/222**

(58) **Field of Classification Search**
USPC D12/222, 400, 401, 404, 406, 412, 414, D12/223, 86, 93, 101; D6/552; D26/31
CPC B60R 27/00; B60J 1/06; B60Q 1/0483
See application file for complete search history.

(56) **References Cited**

U.S. PATENT DOCUMENTS

D316,391 S * 4/1991 Lund D12/181
5,018,779 A * 5/1991 Lund B62D 35/001
296/180.1
D317,428 S * 6/1991 Carr D10/114.1
D332,245 S * 1/1993 Powell, Jr. D12/181

(Continued)

Primary Examiner — Katrina A Betton

(74) *Attorney, Agent, or Firm* — BCF LLP

(57) **CLAIM**

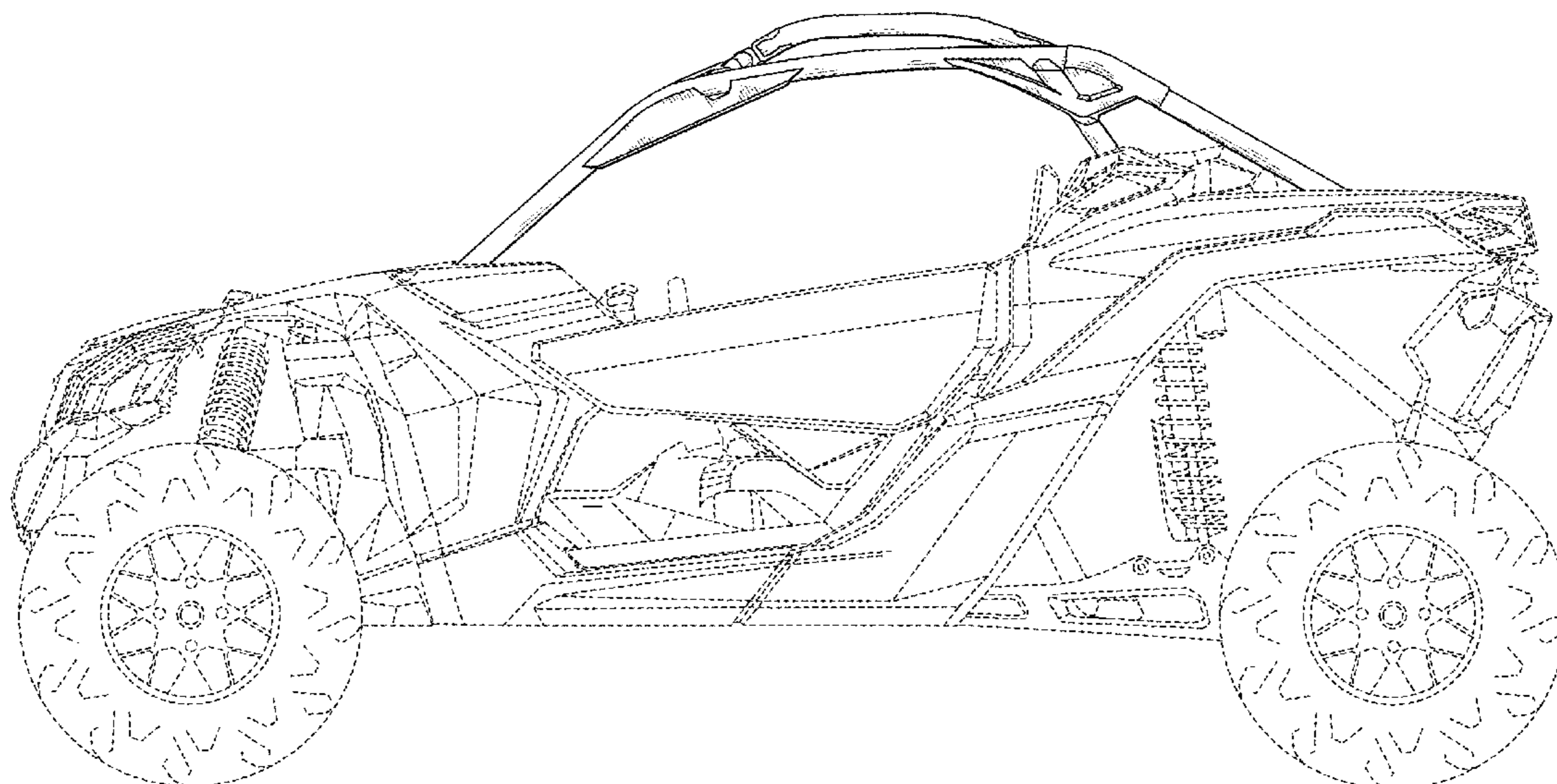
The ornamental design for a roll cage, as shown and described.

DESCRIPTION

FIG. 1 is a right side elevation view of a roll cage of an off-road vehicle according to an embodiment of our design; FIG. 2 is a left side elevation view thereof; FIG. 3 is a front elevation view thereof; FIG. 4 is a rear elevation view thereof; FIG. 5 is a top plan view thereof; FIG. 6 is a perspective view taken from a top, front, right side thereof; FIG. 7 is a perspective view taken from a top, rear, left side thereof; FIG. 8 is a right side elevation view of a roll cage of an off-road vehicle according to another embodiment of our design; FIG. 9 is a left side elevation view thereof; FIG. 10 is a front elevation view thereof; FIG. 11 is a rear elevation view thereof; FIG. 12 is a top plan view thereof; FIG. 13 is a perspective view taken from a top, front, right side thereof; and, FIG. 14 is a perspective view taken from a top, rear, left side thereof.

In the Figures, the dashed lines showing additional structure of the roll cage of the off-road vehicle and showing additional portions of an off-road vehicle are for illustrative purposes only and form no part of the claimed design. Portions of the roll cage not shown in the Figures, and not otherwise described in this specification do not form part of the claimed design. The claimed design is intended to cover any physical, digital and virtual representation of the design illustrated in the figures. The inventors anticipate that the claimed design can be any part, portion, element or combination of elements of the roll cage shown in the Figures.

1 Claim, 14 Drawing Sheets



(56)

References Cited

U.S. PATENT DOCUMENTS

D345,331 S	*	3/1994	Smith	D12/222
D347,205 S	*	5/1994	Huisman	D12/222
D347,902 S	*	6/1994	Stutts	D12/222
D375,389 S	*	11/1996	Belanger	D12/222
D399,476 S	*	10/1998	Duncan	D12/222
D439,548 S		3/2001	Kouchi et al.	
D498,435 S		11/2004	Saito et al.	
D503,905 S		4/2005	Saito et al.	
D513,223 S		12/2005	Saito et al.	
D528,964 S	*	9/2006	Storer	D12/222
D528,968 S	*	9/2006	Storer	D12/222
D621,326 S	*	8/2010	Bauer	D12/222
D622,645 S		8/2010	Ichihara et al.	
D631,395 S		1/2011	Tandrup et al.	
D631,791 S		2/2011	Sanschagrin	
D631,792 S		2/2011	Sanschagrin	
D631,793 S		2/2011	Sanschagrin	
D631,794 S		2/2011	Sanschagrin	
D633,006 S		2/2011	Sanschagrin et al.	
D655,236 S		3/2012	Sanschagrin	
D656,457 S		3/2012	Crepeau	
D709,798 S		7/2014	Matsumura	
D717,695 S		11/2014	Matsumura	
D719,061 S		12/2014	Tandrup et al.	
D727,243 S		4/2015	Matsumura	
D727,244 S		4/2015	Hashimoto	
D727,794 S		4/2015	Tandrup et al.	
D730,239 S		5/2015	Gonzalez	
D734,689 S		7/2015	Hashimoto	
D736,118 S		8/2015	Hashimoto et al.	
D762,517 S		8/2016	Hashimoto et al.	
D764,972 S		8/2016	Gonzalez	
D764,973 S		8/2016	Mikhailov et al.	
D764,974 S		8/2016	Mikhailov et al.	

* cited by examiner

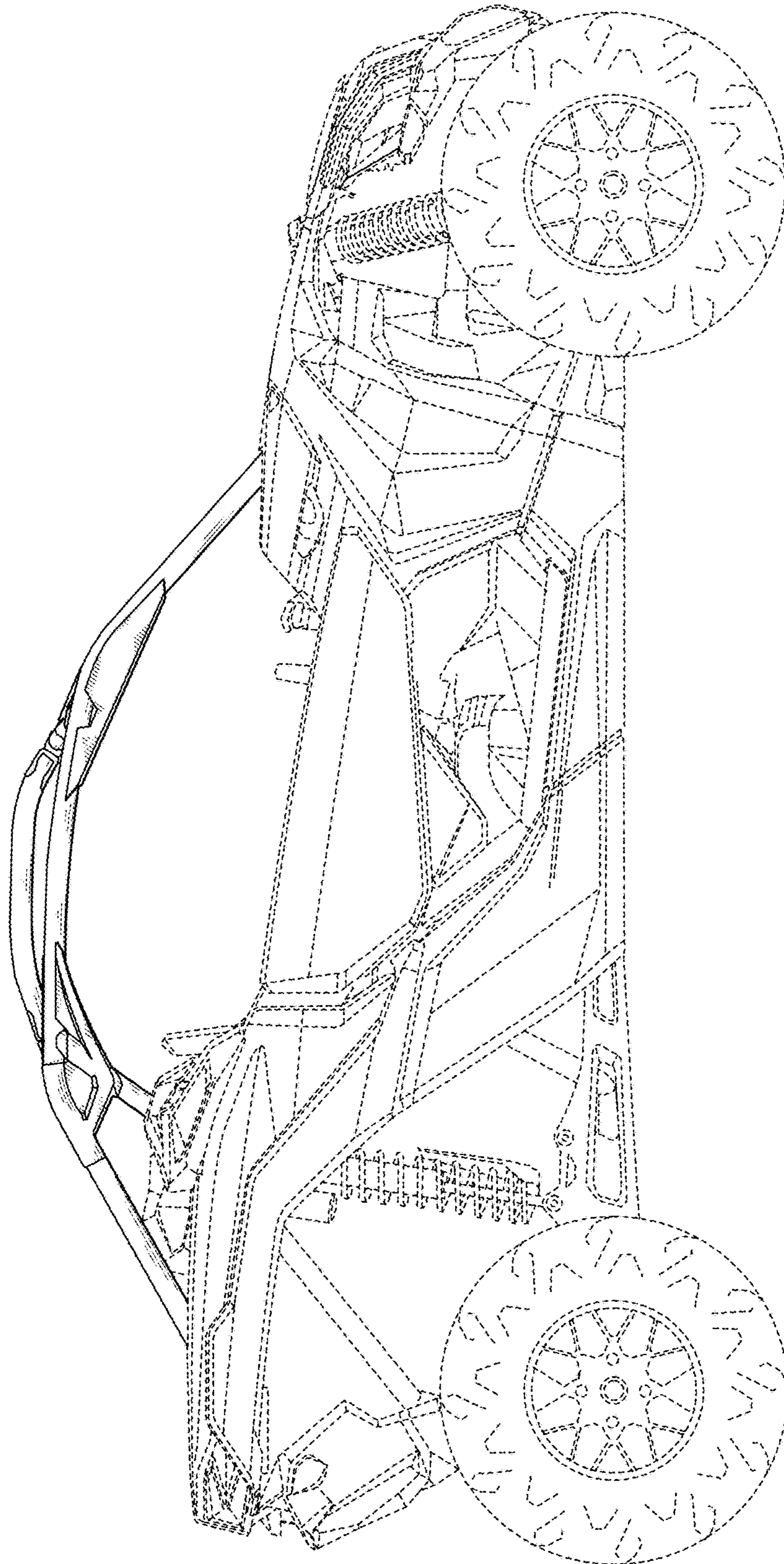


Fig. 1

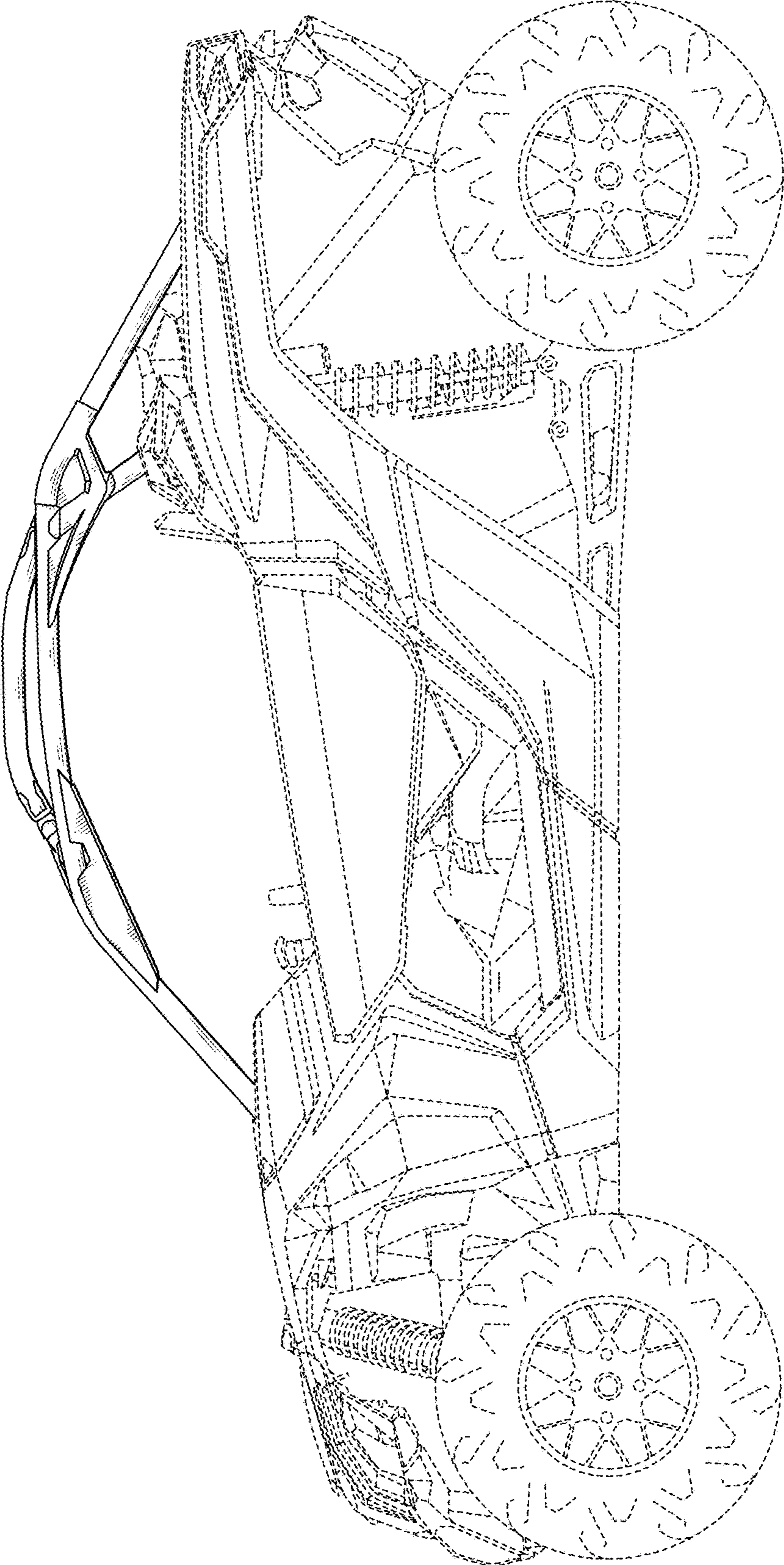


Fig. 2

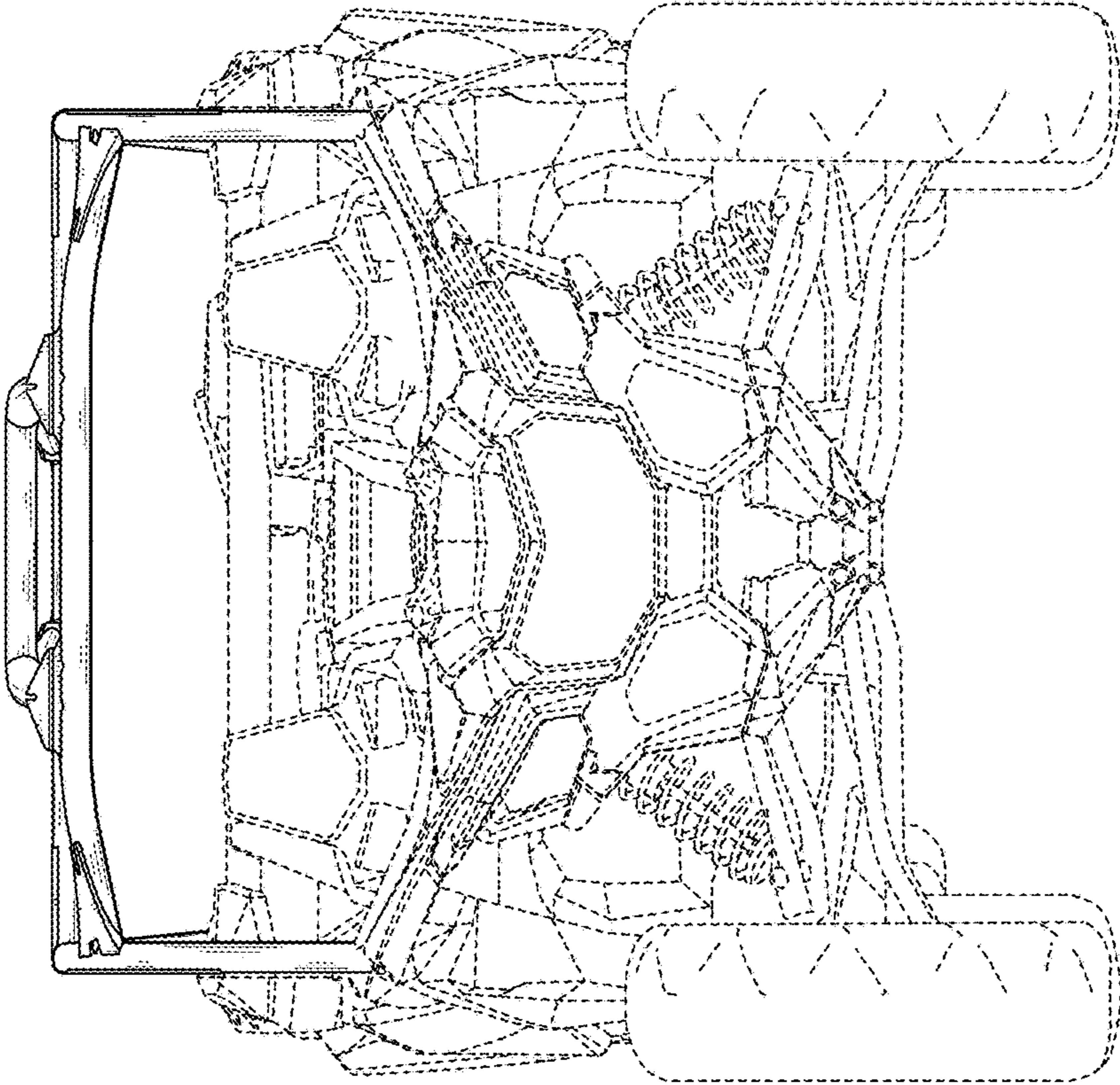


Fig. 3

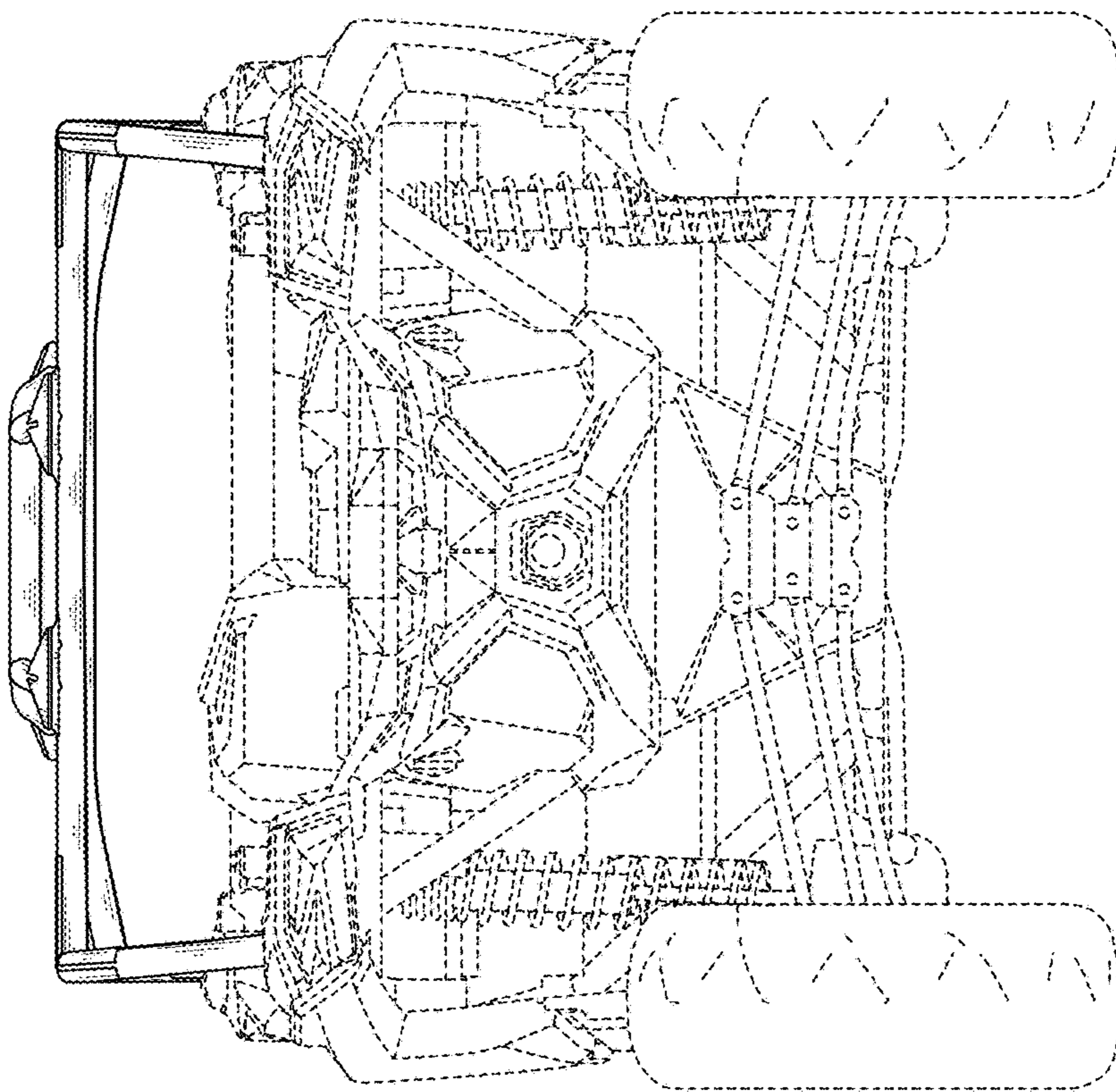


Fig. 4

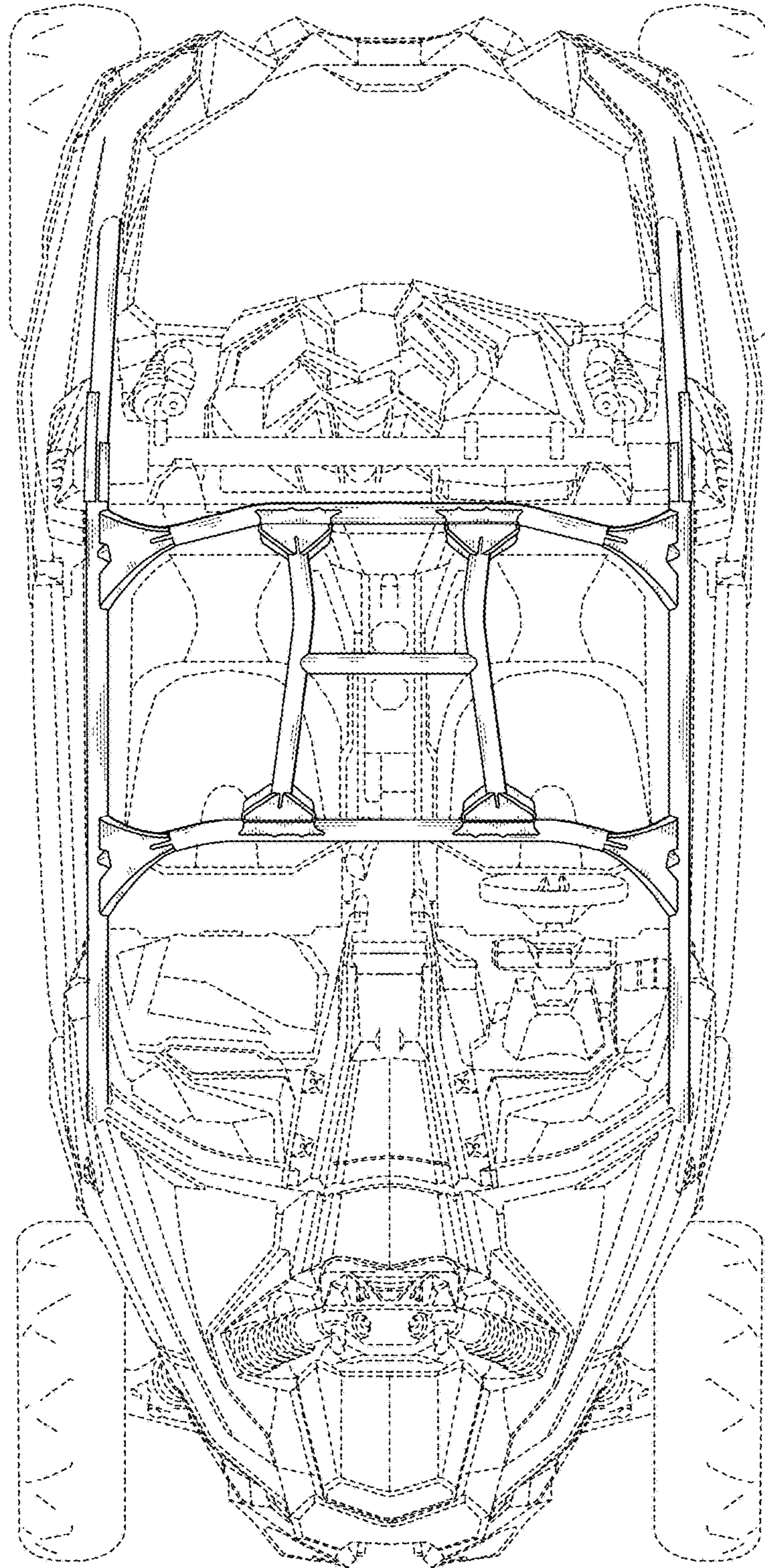


Fig.5

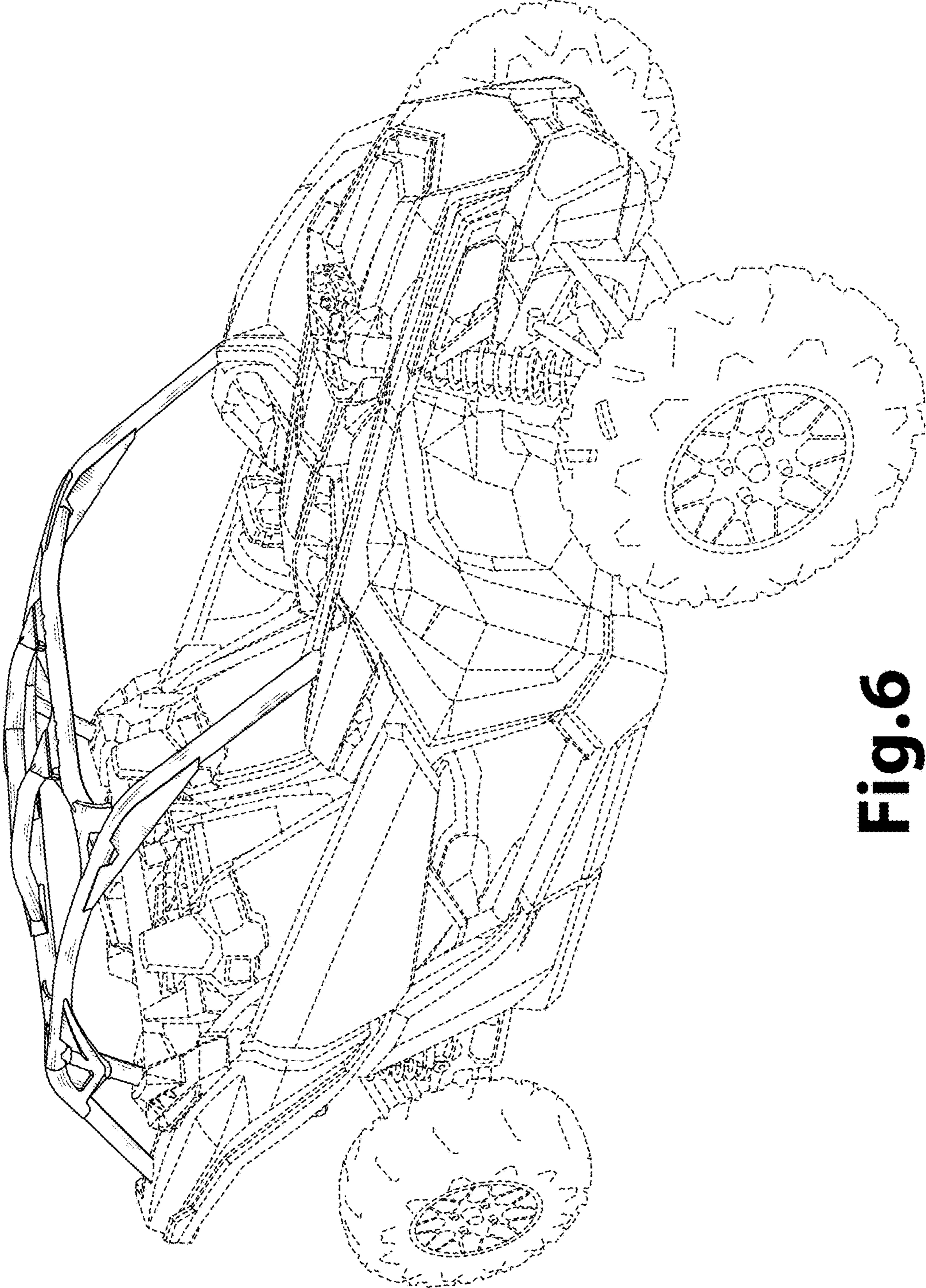


Fig.6

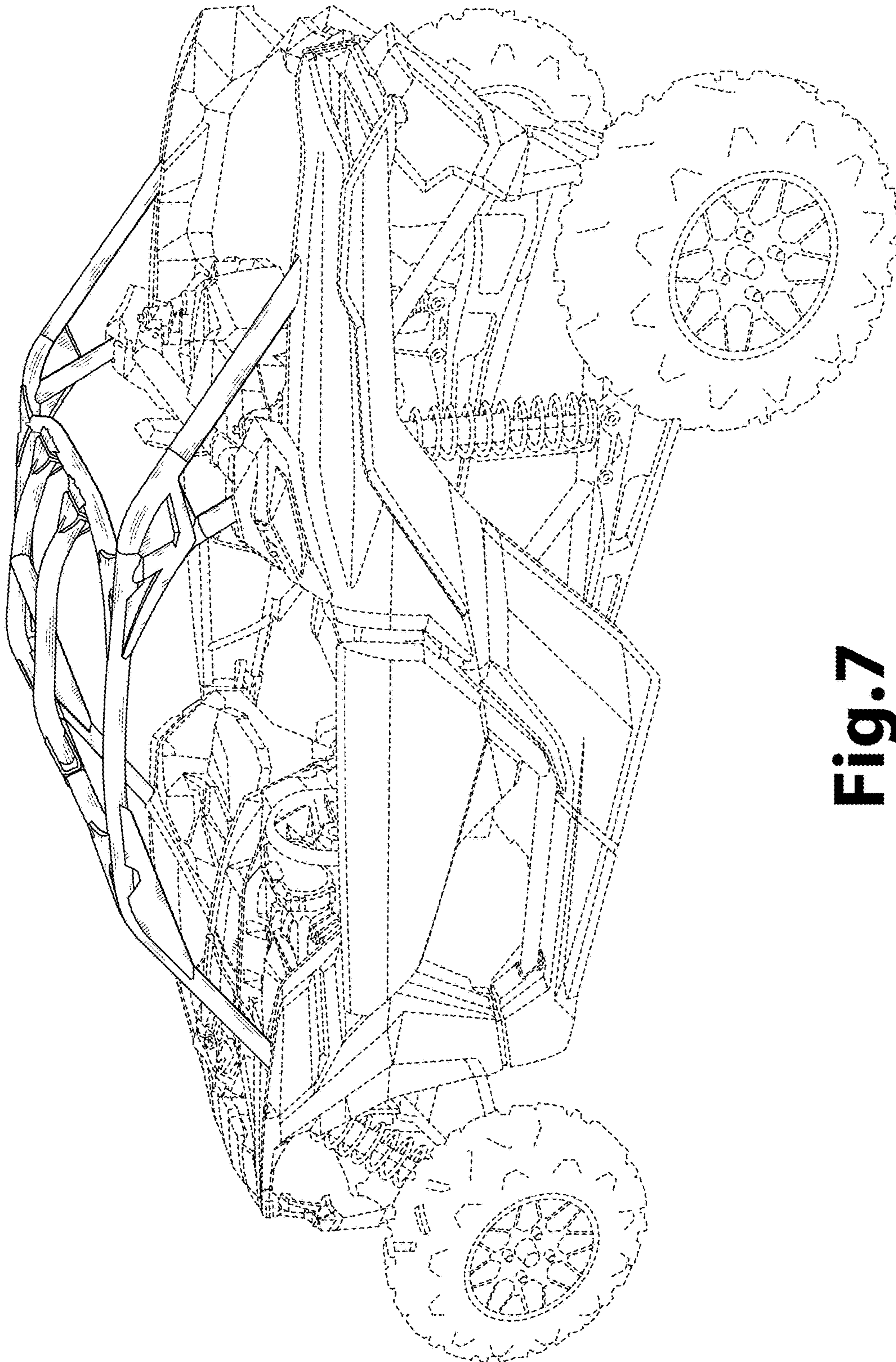


Fig. 7

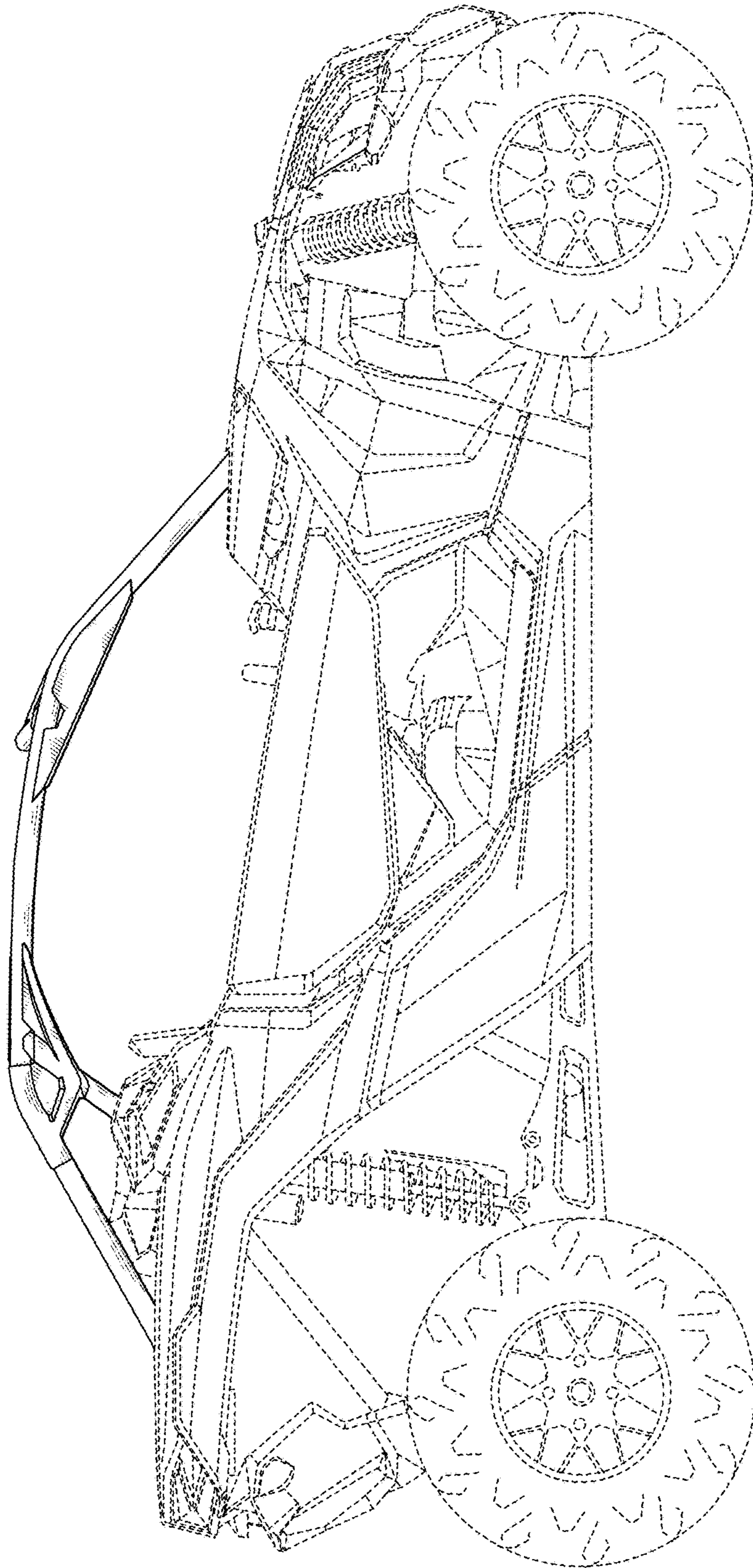


Fig. 8

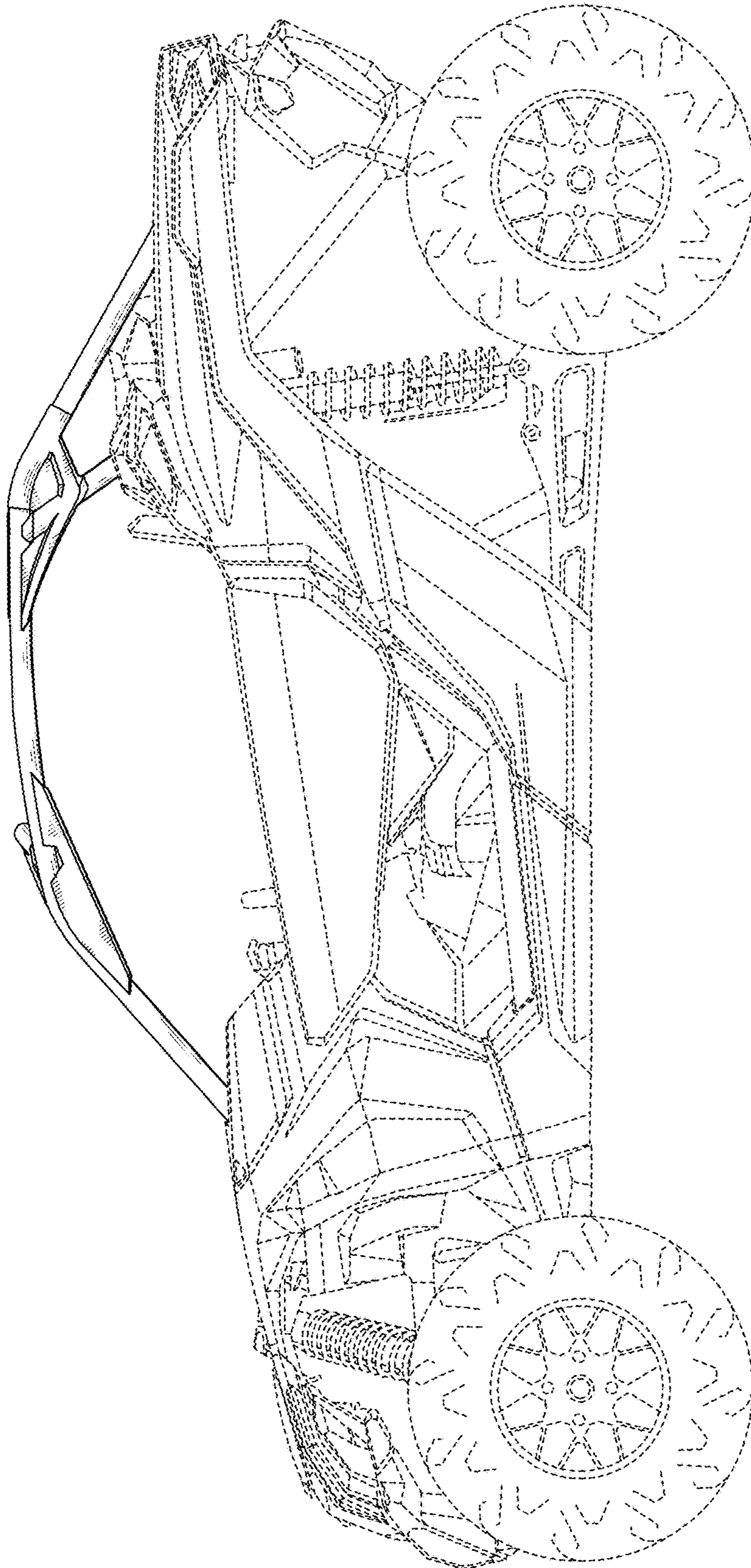


Fig. 9

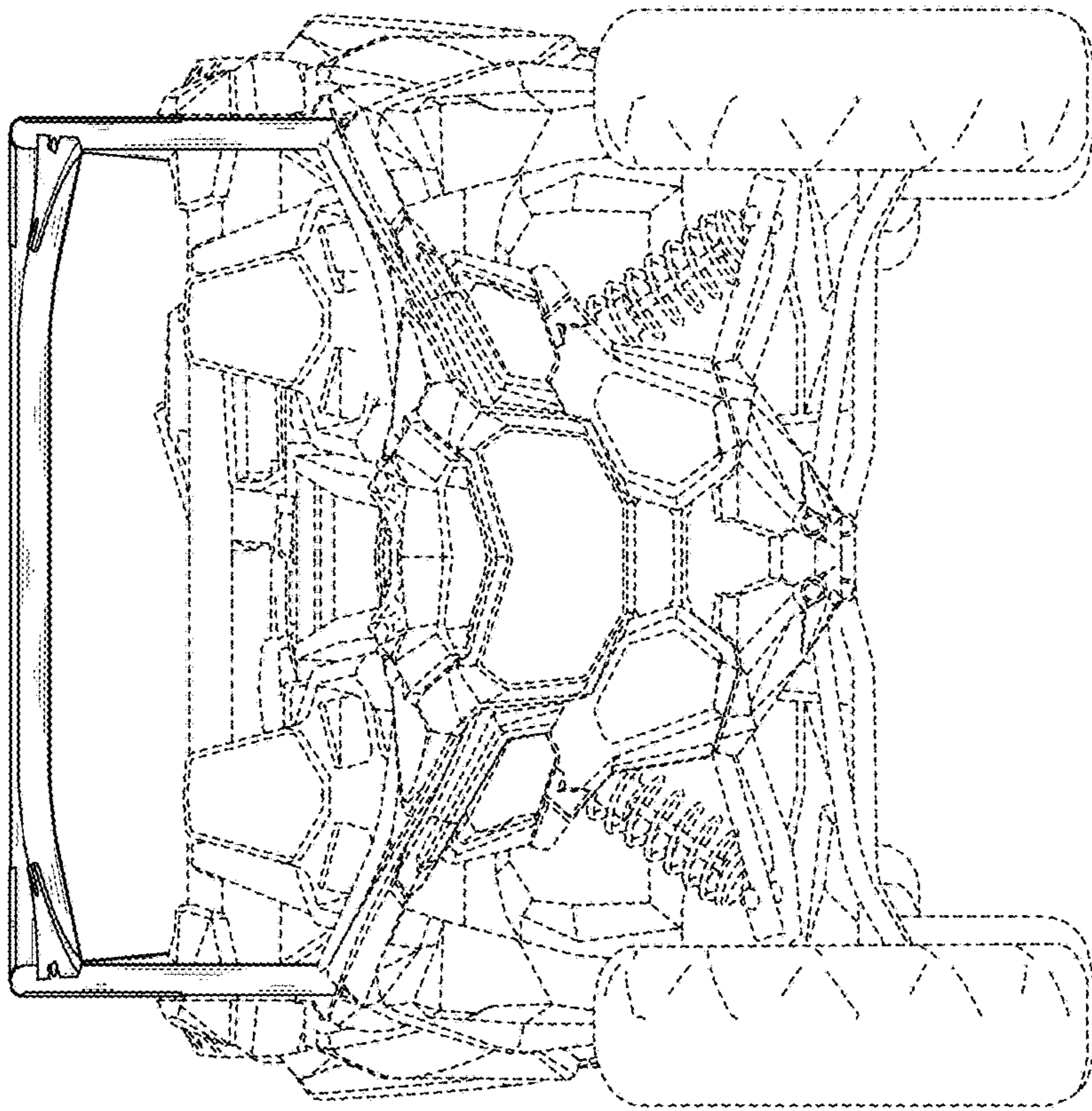


Fig. 10

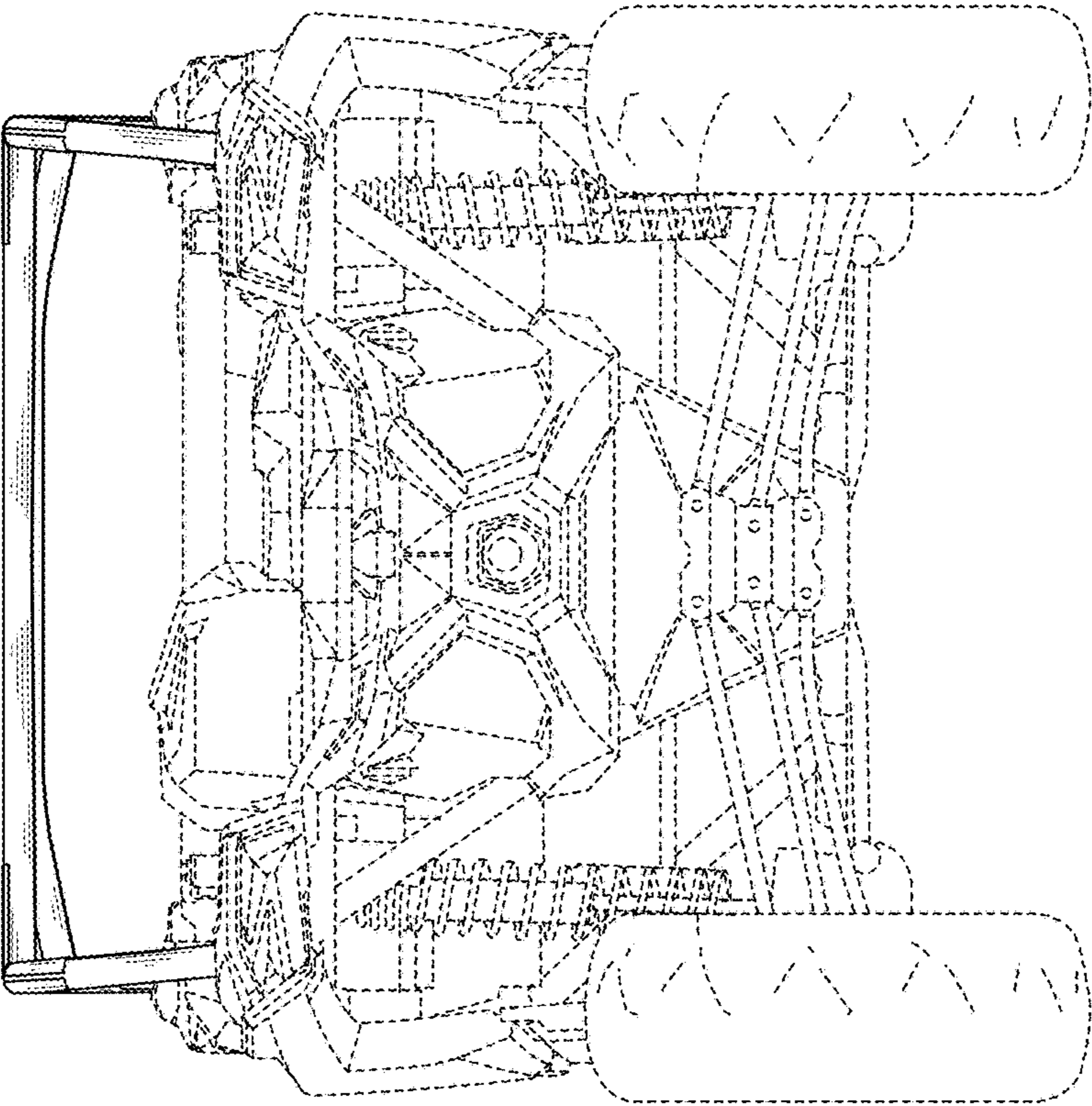


Fig. 11

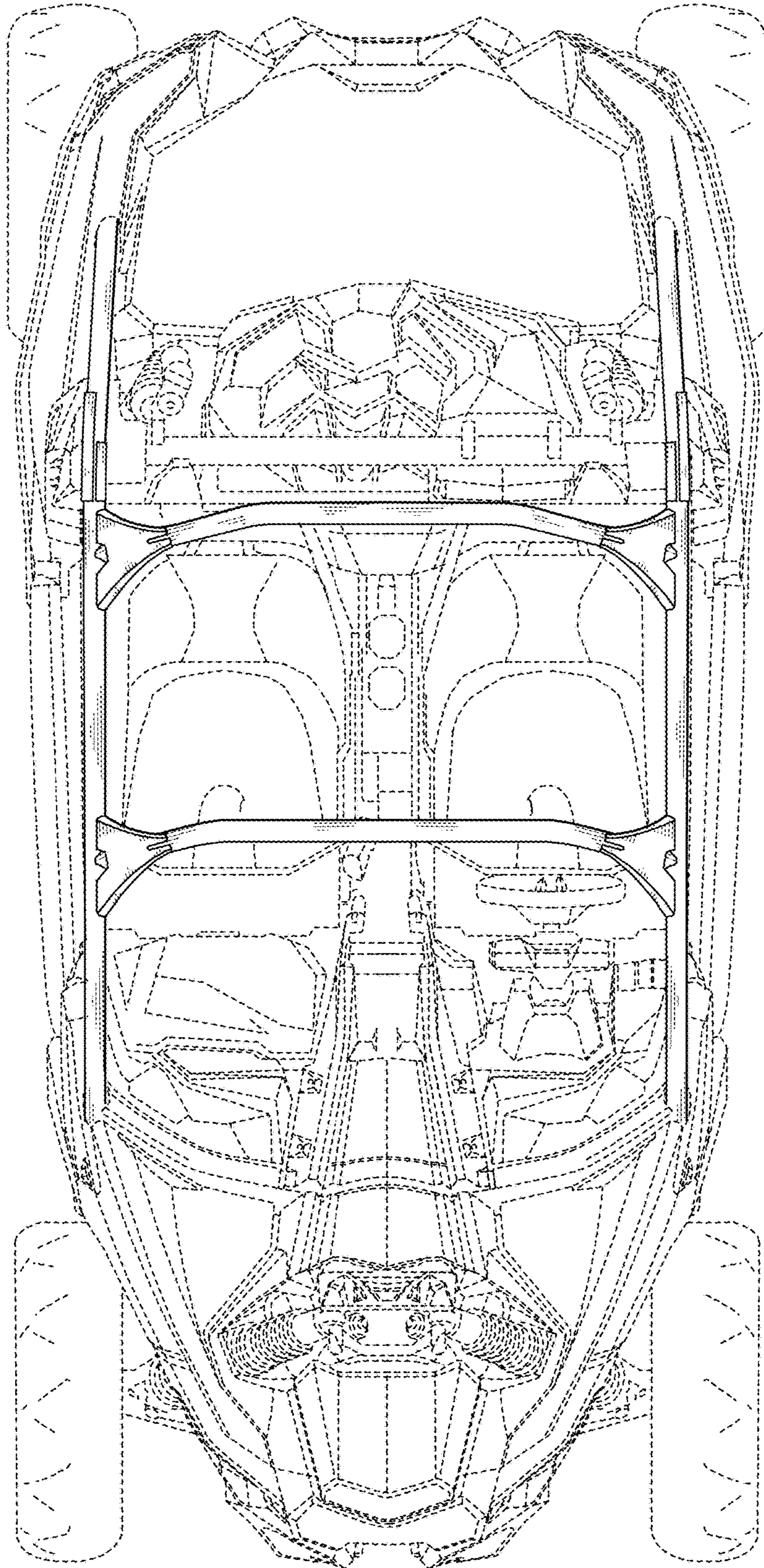


Fig.12

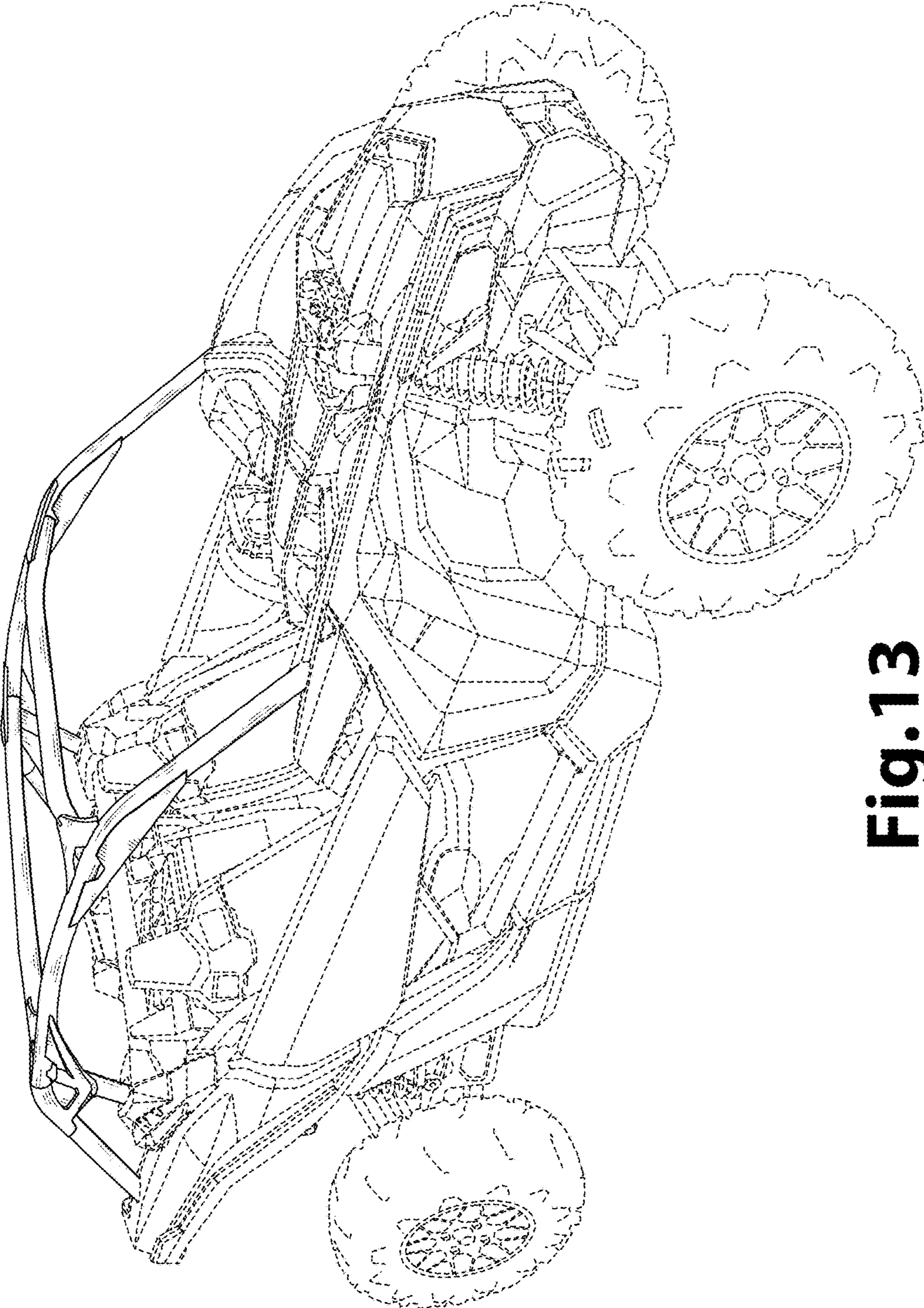


Fig. 13

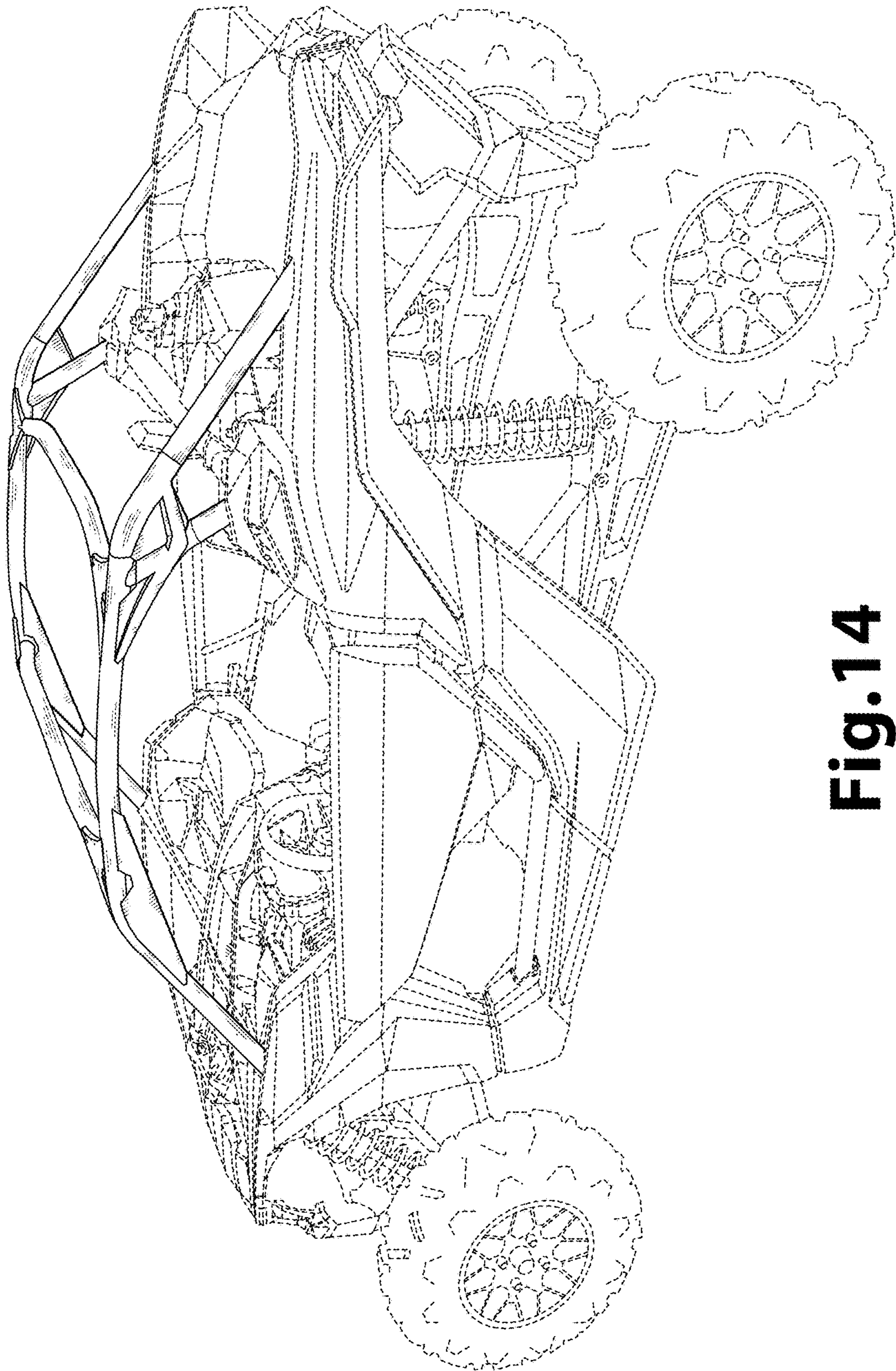


Fig.14