



US00D826830S

(12) **United States Design Patent**  
**Weng**

(10) **Patent No.:** **US D826,830 S**

(45) **Date of Patent:** **\*\* Aug. 28, 2018**

(54) **FLUID CONTAINER**

(71) Applicant: **Gogoro Inc.**, Hong Kong (CN)

(72) Inventor: **Chien-Chih Weng**, New Taipei (TW)

(73) Assignee: **Gogoro Inc.**, Hong Kong (CN)

(\*\*) Term: **14 Years**

(21) Appl. No.: **29/521,889**

(22) Filed: **Mar. 26, 2015**

(30) **Foreign Application Priority Data**

Dec. 11, 2014 (TW) ..... 103307349

(51) **LOC (11) Cl.** ..... **12-06**

(52) **U.S. Cl.**  
USPC ..... **D12/218; D15/28**

(58) **Field of Classification Search**  
USPC ..... D12/110, 197, 218, 223; D9/435-454;  
180/69.4, 219, 225; 220/4.14, 86.2, 288,  
220/560.04, DIG. 33; 280/833-835  
CPC ..... B60K 15/03; B60K 15/07; B62J 35/00;  
B62K 11/00; B62K 11/04  
See application file for complete search history.

(56) **References Cited**

**U.S. PATENT DOCUMENTS**

D208,539 S \* 9/1967 Miller ..... D12/218  
D238,940 S \* 2/1976 Graeper ..... D12/218

D238,941 S \* 2/1976 Graeper ..... D12/218  
6,179,145 B1 \* 1/2001 Roth ..... B60K 15/03  
220/4.13  
D604,686 S \* 11/2009 Yan ..... D12/218  
D624,864 S \* 10/2010 Makino ..... D12/218  
D636,717 S \* 4/2011 Nishimoto ..... D12/218  
D669,099 S \* 10/2012 Ringer ..... D15/28  
D669,100 S \* 10/2012 Ringer ..... D15/28  
D687,866 S \* 8/2013 Thompson ..... D15/28  
D713,424 S \* 9/2014 Gonzales ..... D15/28

\* cited by examiner

*Primary Examiner* — Darlington Ly

(74) *Attorney, Agent, or Firm* — Perkins Coie LLP

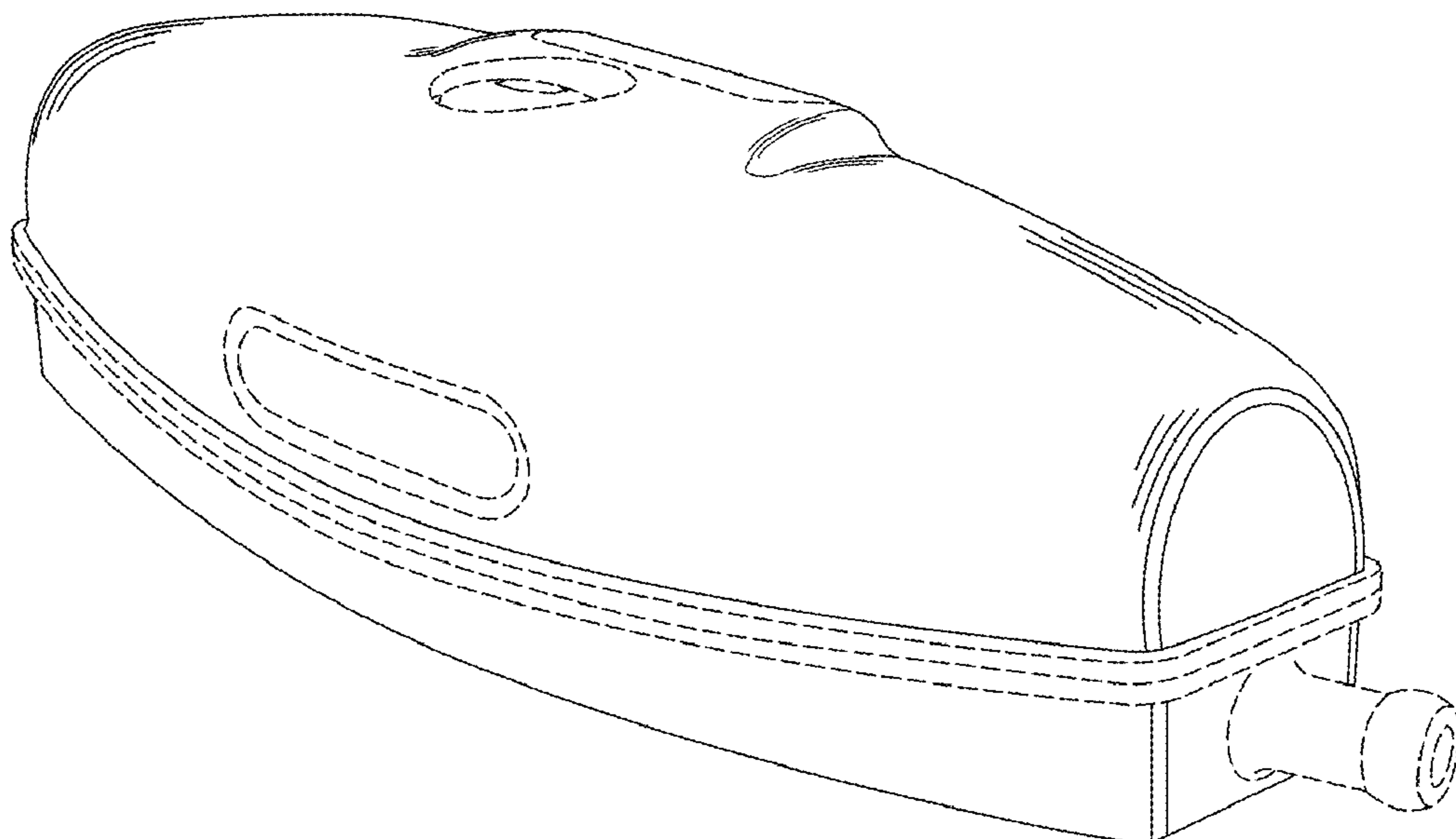
(57) **CLAIM**

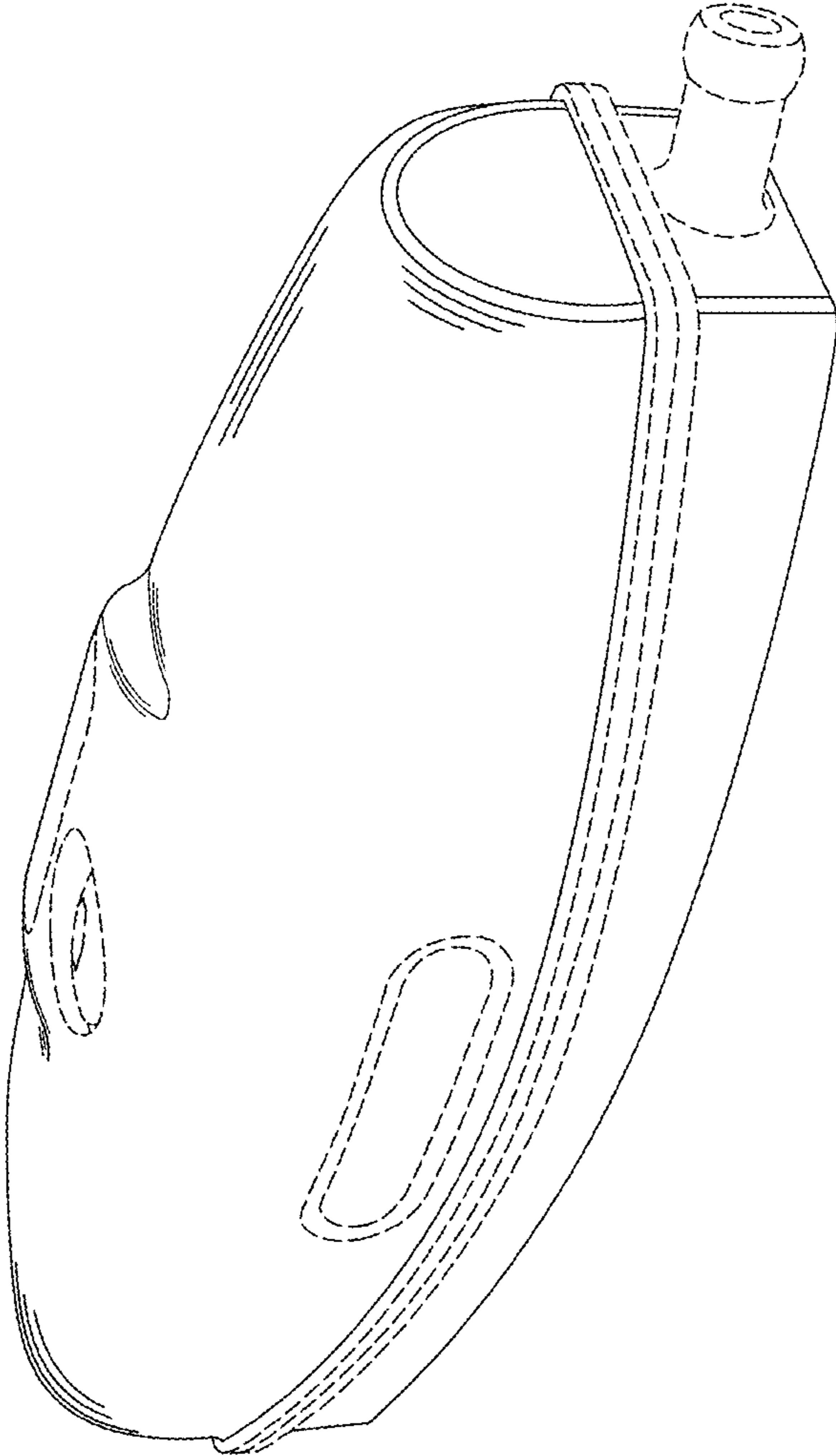
The ornamental design for a fluid container, as shown and described.

**DESCRIPTION**

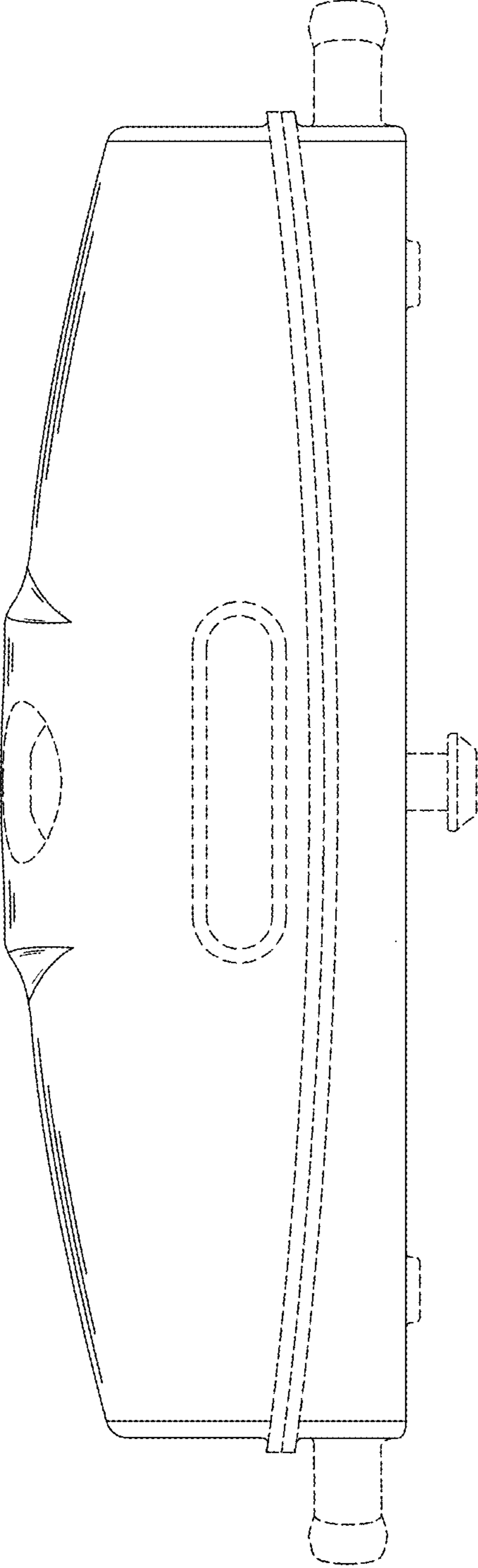
FIG. 1 is a top, front, and right side perspective view of a fluid container showing my new design;  
FIG. 2 is a front elevation view thereof;  
FIG. 3 is a rear elevation view thereof;  
FIG. 4 is a top plan view thereof;  
FIG. 5 is a bottom plan view thereof;  
FIG. 6 is a right side elevation view thereof; and,  
FIG. 7 is a left side elevation view thereof.  
The broken lines in the drawings illustrate portions of the fluid container that form no part of the claimed design.

**1 Claim, 7 Drawing Sheets**

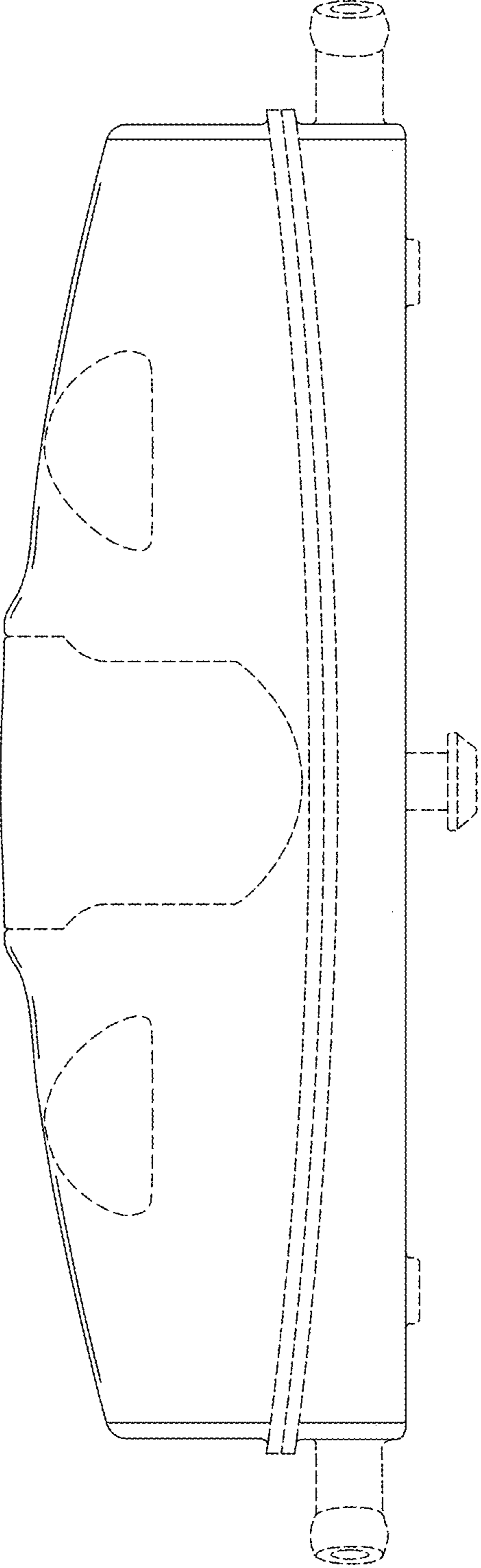




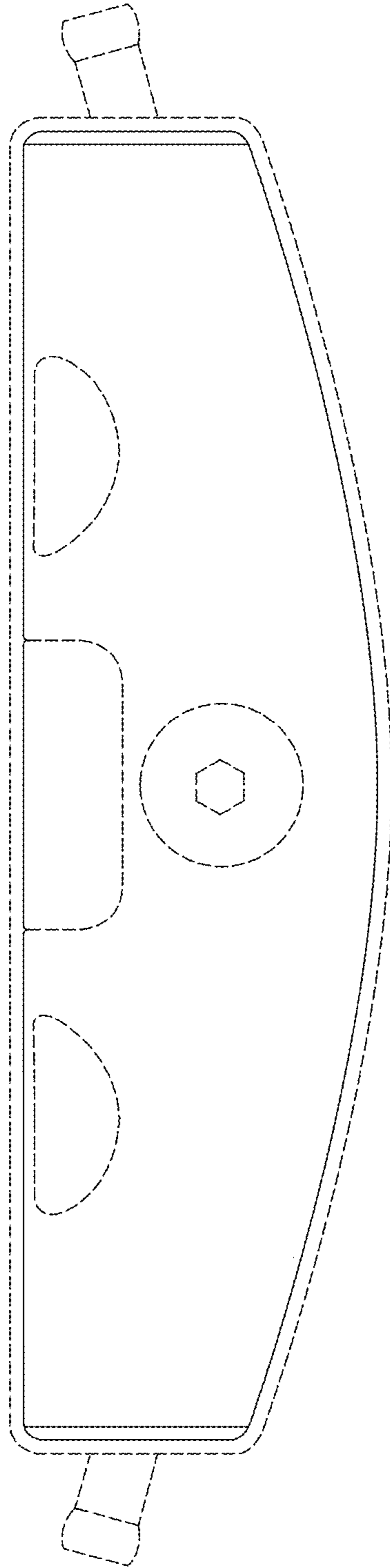
**FIG. 1**



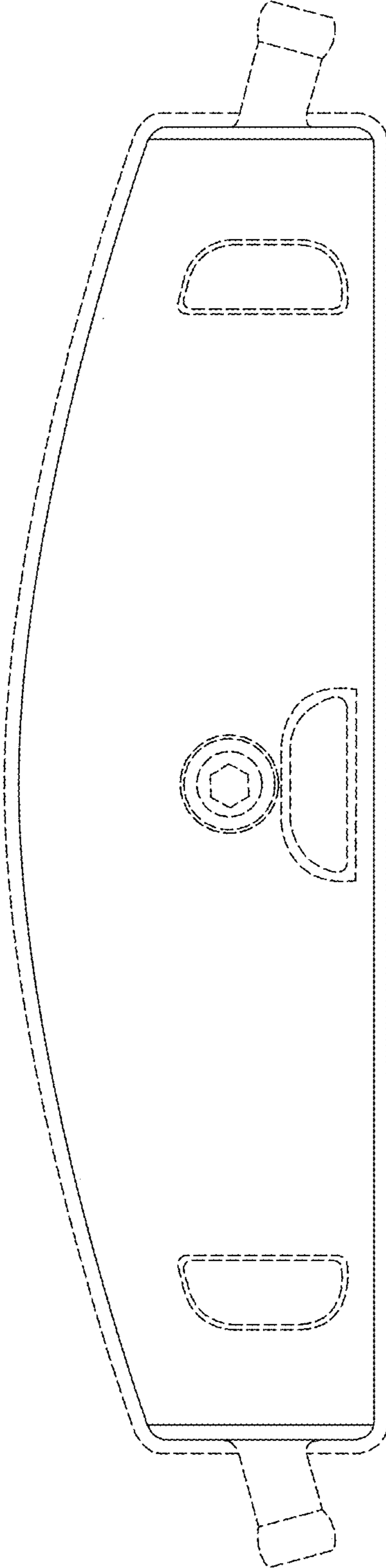
**FIG. 2**



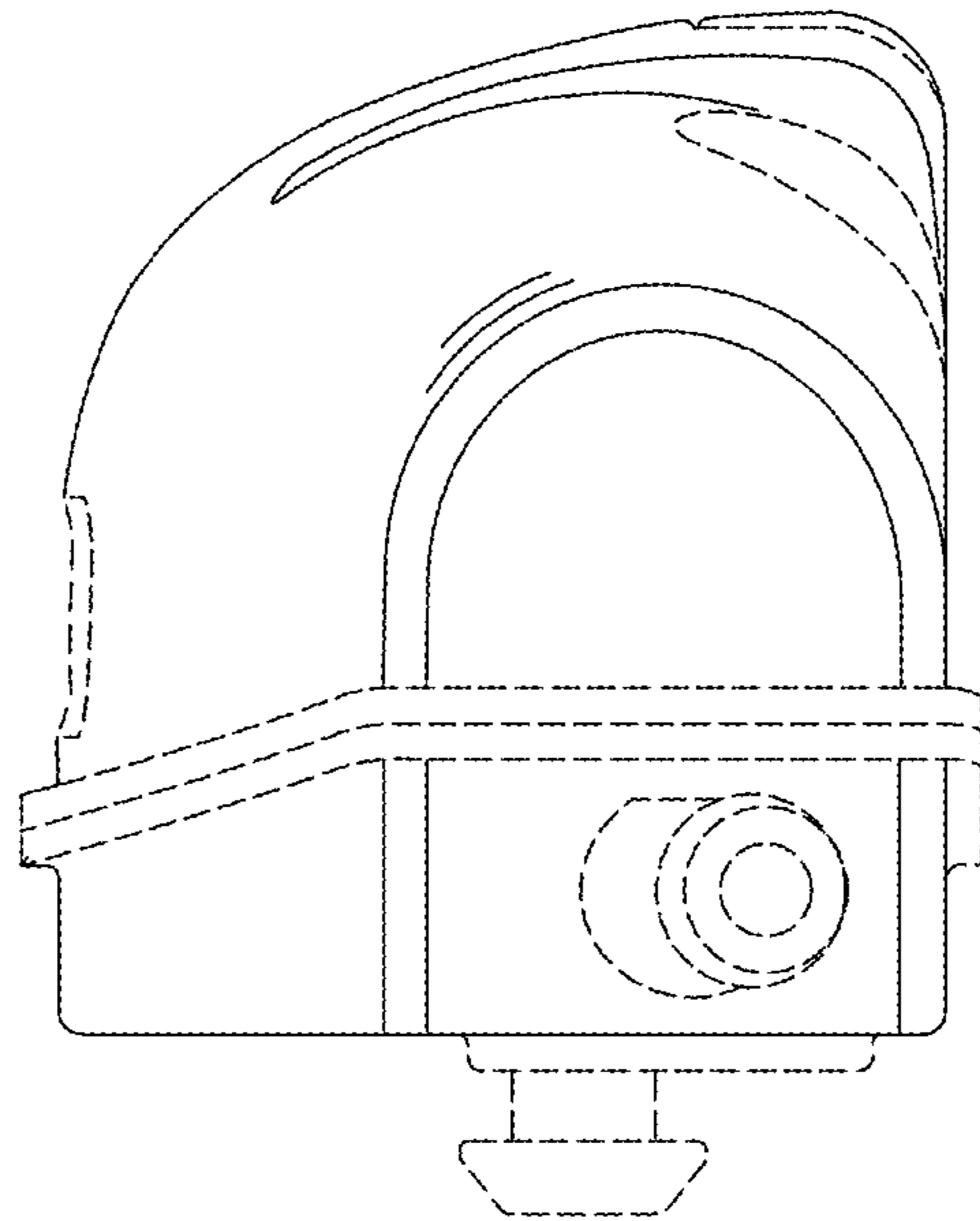
**FIG. 3**



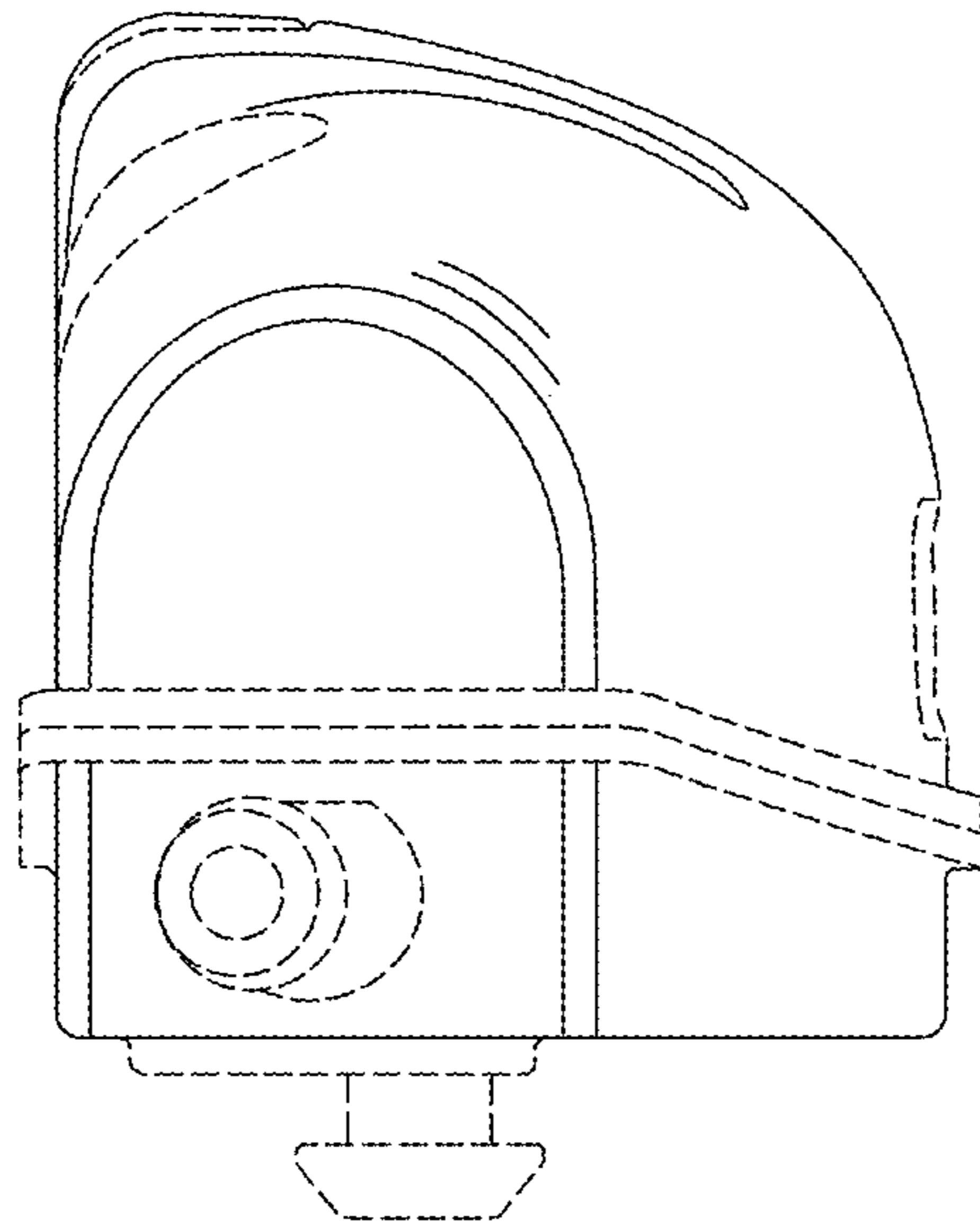
**FIG. 4**



**FIG. 5**



**FIG. 6**



**FIG. 7**