



US00D826827S

(12) **United States Design Patent**  
**Tran**

(10) **Patent No.:** **US D826,827 S**

(45) **Date of Patent:** **\*\* Aug. 28, 2018**

(54) **WHEEL**

(71) Applicant: **Wheel Pros, LLC**, Greenwood Village, CO (US)

(72) Inventor: **Peter Tran**, Lake Hughes, CA (US)

(\*\*) Term: **15 Years**

(21) Appl. No.: **29/608,084**

(22) Filed: **Jun. 19, 2017**

(51) **LOC (11) Cl.** ..... **12-16**

(52) **U.S. Cl.**  
USPC ..... **D12/209**

(58) **Field of Classification Search**  
USPC ..... D12/204–213; D21/533, 561, 563  
CPC .... B60B 7/00; B60B 7/02; B60B 7/04; B60B 7/06; B60B 3/02; B60B 3/04; B60B 3/06; B60B 3/10; B60B 1/00; B60B 1/08; B60B 1/10; B60B 1/12  
See application file for complete search history.

(56) **References Cited**

U.S. PATENT DOCUMENTS

D273,102 S	3/1984	Woodward	
D291,796 S	9/1987	Reid	
D361,975 S	9/1995	Weld	
D391,216 S *	2/1998	Bollmann	D12/209
D408,775 S	4/1999	Shikado	
D453,492 S *	2/2002	Laengerer	D12/209
D453,724 S	2/2002	Hodges	
D455,698 S	4/2002	Chung	
D464,010 S	10/2002	Chung	
D467,212 S	12/2002	Noriega	
D470,094 S	2/2003	van Hooydonk	
D478,542 S	8/2003	Sulahian	
D480,036 S	9/2003	Laengerer	
D482,996 S	12/2003	Sulahian	
D492,925 S	7/2004	Fitzgerald	

D496,317 S	9/2004	Kataoka	
D505,374 S *	5/2005	Aleman	D12/209
D510,307 S *	10/2005	Howes	D12/209
D513,486 S	1/2006	Rivera	
D523,797 S *	6/2006	Gallert	D12/209
D524,212 S *	7/2006	Phillips	D12/209
D528,495 S	9/2006	Truebsbach	
D528,954 S *	9/2006	Laengerer	D12/209
D538,726 S	3/2007	Wright	
D538,727 S	3/2007	Wright	
D542,209 S	5/2007	Pfeiffer	
D549,148 S *	8/2007	Buschmann	D12/209
D552,525 S	10/2007	Celik	
D553,068 S	10/2007	Celik	
D569,777 S	5/2008	Chung	
D576,936 S	9/2008	Imai	
D577,650 S	9/2008	Chung	
D578,457 S	10/2008	Guidry	
D579,845 S	11/2008	Chung	
D582,831 S	12/2008	Musser	
D583,290 S	12/2008	Wang	
D585,801 S	2/2009	Wang	
D598,357 S	8/2009	Chung	
D599,266 S	9/2009	Bierenbreier	

(Continued)

*Primary Examiner* — Sheryl Lane

*Assistant Examiner* — Calvin E Vansant

(74) *Attorney, Agent, or Firm* — Eric Hanscom

(57) **CLAIM**

The ornamental design for a wheel, as shown and described.

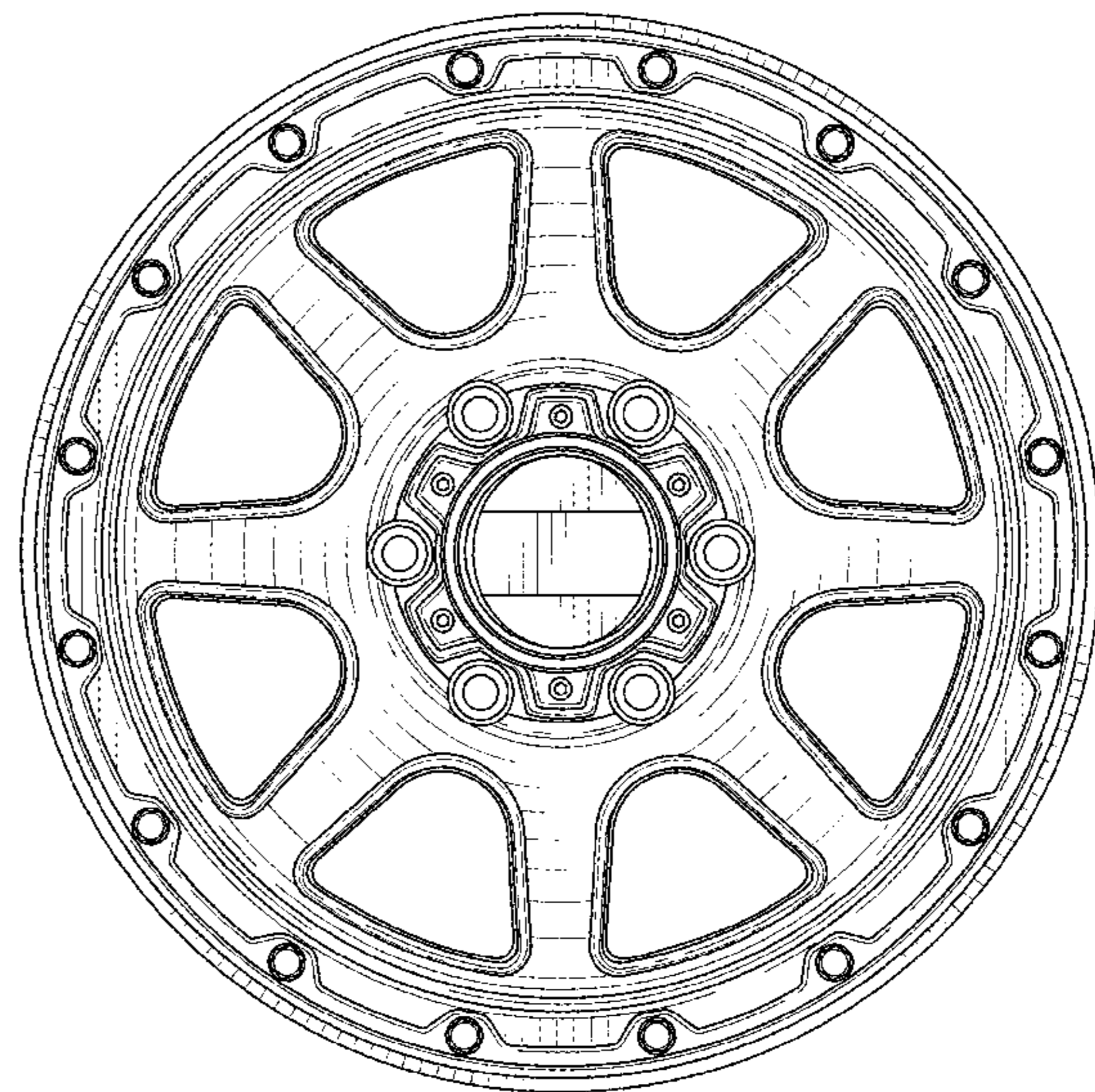
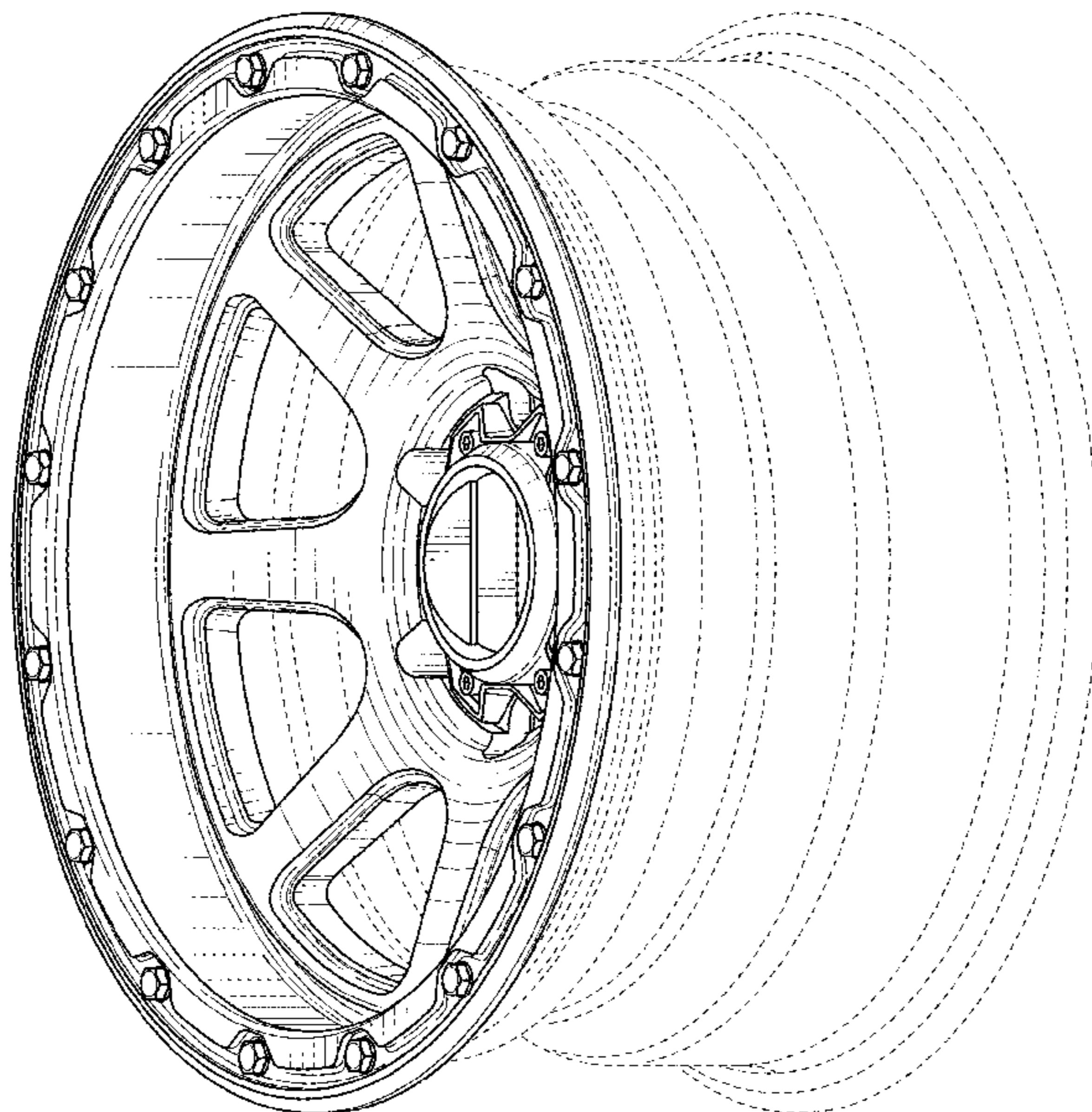
**DESCRIPTION**

FIG. 1 is a perspective view of a wheel showing my new design; and,

FIG. 2 is a front view thereof.

The broken lines depict portions of the wheel that form no part of the claim. Applicant is claiming the front portion of the wheel only and makes no claim to the ornamental design of the sides or back of the wheel.

**1 Claim, 2 Drawing Sheets**



(56)

References Cited

U.S. PATENT DOCUMENTS

D617,723 S	6/2010	Zhao	
D620,873 S	8/2010	Groom	
D625,235 S	10/2010	Nissl	
D627,697 S	11/2010	Wang	
D638,767 S	5/2011	Groom	
D651,150 S	12/2011	Blewer	
D651,151 S	12/2011	Blewer	
D669,009 S	10/2012	Chung	
D682,762 S *	5/2013	Hale, Jr.	D12/209
D686,961 S *	7/2013	Chung	D12/209
D695,193 S	12/2013	Kong	
D698,298 S	1/2014	Cortes	
D698,300 S	1/2014	Chung	
D704,116 S *	5/2014	Chung	D12/209
D704,117 S *	5/2014	Chung	D12/209
D704,617 S	5/2014	Chung	
D706,197 S	6/2014	Chung	
D711,304 S	8/2014	Chung	
D712,330 S *	9/2014	Chung	D12/209
D715,211 S	10/2014	Gotschke	
D719,893 S *	12/2014	Kim	D12/211
D726,628 S	4/2015	Kong	
D733,027 S	6/2015	Chung	
D735,104 S	7/2015	Hodges	
D739,803 S	9/2015	Miansian	
D742,293 S	11/2015	Chung	
D750,003 S	2/2016	Ahmad	
D753,569 S *	4/2016	Chung	D12/209
D756,282 S *	5/2016	Zhao	D12/209
D756,882 S	5/2016	Tirado	
D764,373 S	8/2016	Pollex	
D766,805 S	9/2016	Chung	
D769,166 S	10/2016	Juergens	
D769,785 S	10/2016	Wells	
D770,960 S	11/2016	Svensson	
D780,655 S	3/2017	Trim	
D781,201 S *	3/2017	Ninov	D12/209
D793,318 S *	8/2017	Guo	D12/209
D802,509 S *	11/2017	Tran	D12/209

\* cited by examiner



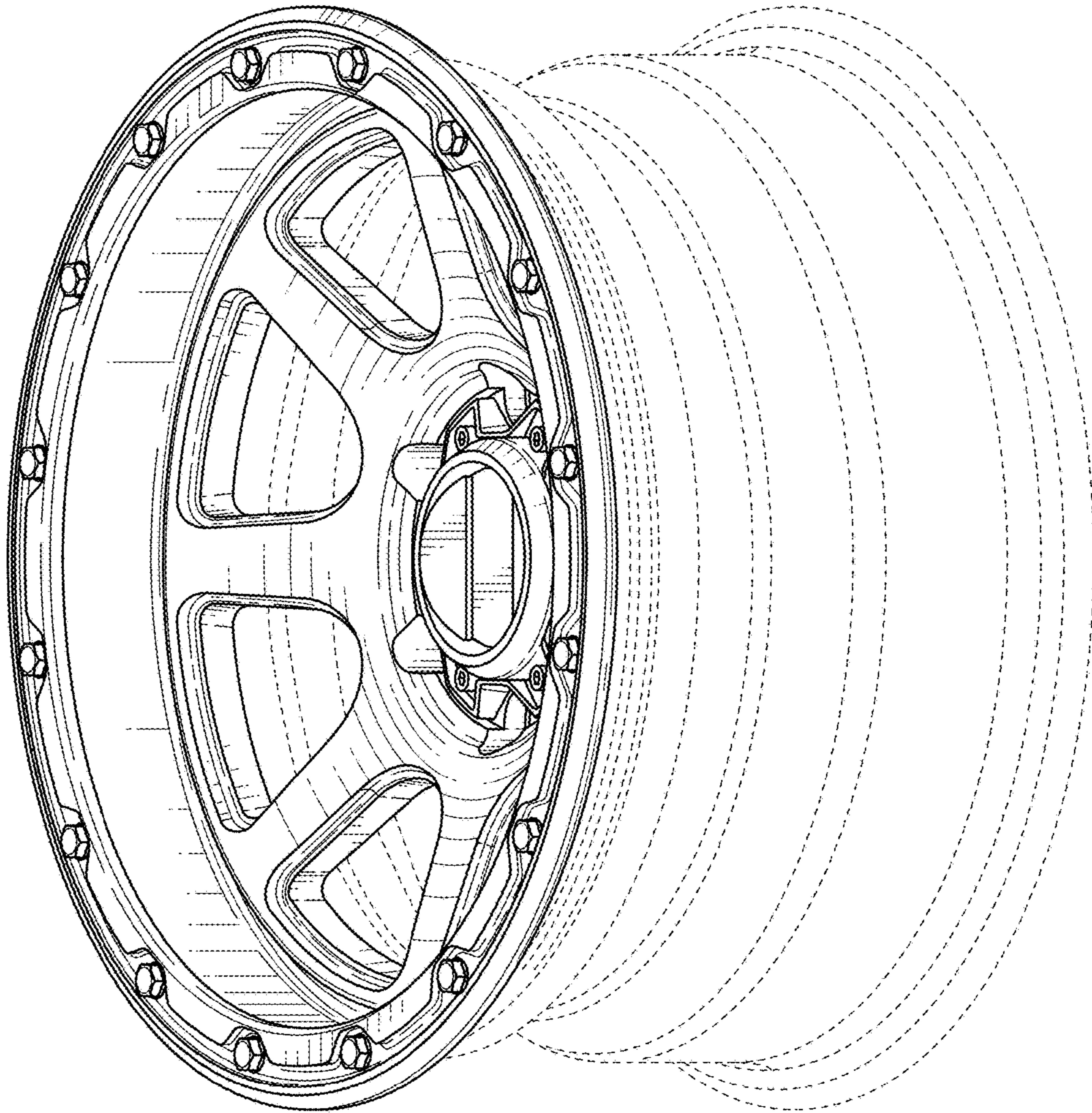


FIG. 1

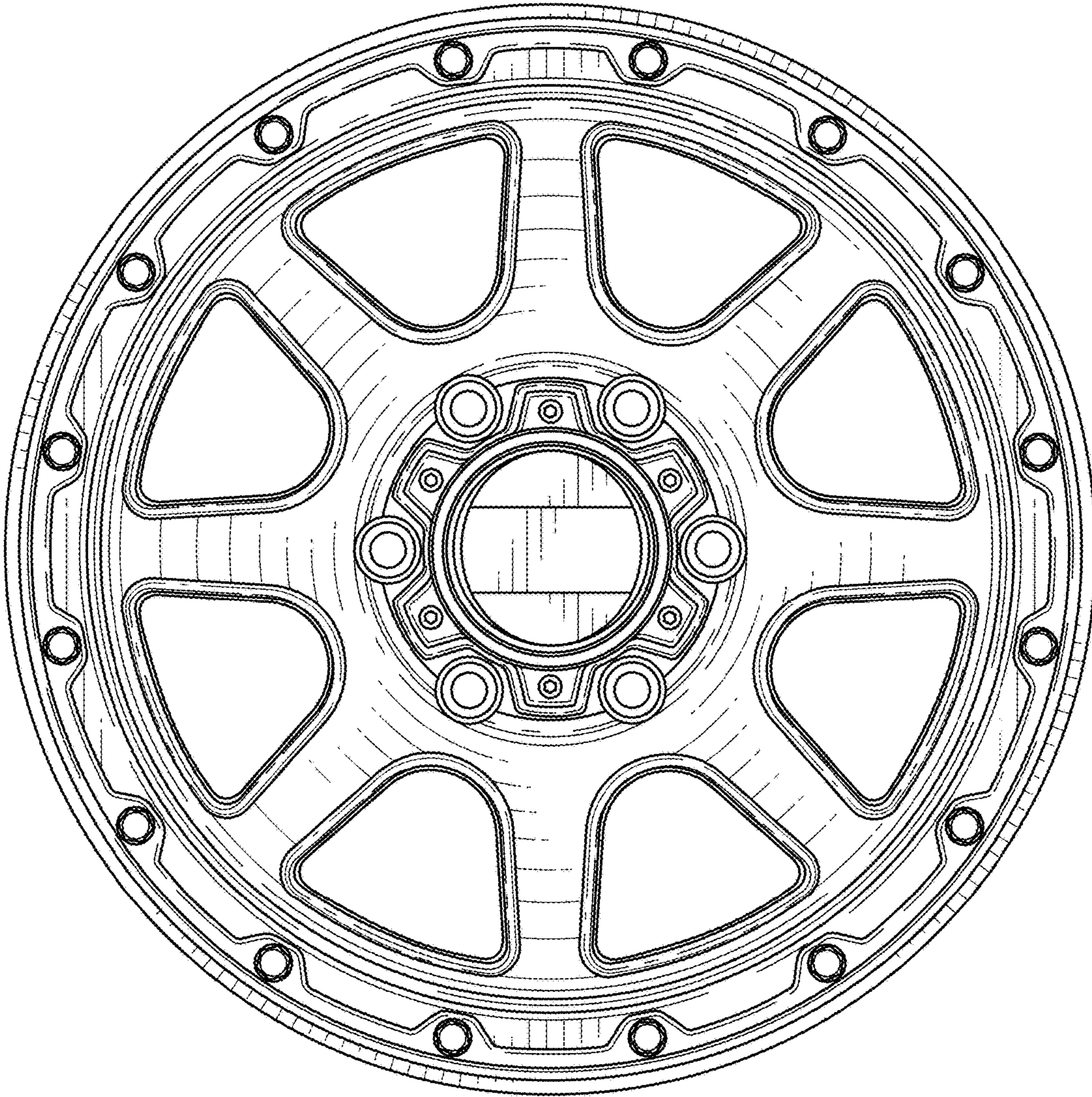


FIG. 2