



US00D826817S

(12) **United States Design Patent** (10) **Patent No.:** **US D826,817 S**  
**Anderson et al.** (45) **Date of Patent:** **\*\* Aug. 28, 2018**

(54) **BODY PART FOR VEHICLE**

(71) Applicant: **Volvo Lastvagnar AB**, Göteborg (SE)

(72) Inventors: **Ian Anderson**, Greensboro, NC (US);  
**Jeff Cotner**, Greensboro, NC (US)

(73) Assignee: **VOLVO LASTVAGNAR AB**,  
Gothenburg (SE)

(\*\*) Term: **15 Years**

(21) Appl. No.: **29/600,070**

(22) Filed: **Apr. 10, 2017**

(51) **LOC (11) Cl.** ..... **12-16**

(52) **U.S. Cl.**  
USPC ..... **D12/196**

(58) **Field of Classification Search**  
USPC ..... D12/86, 88, 90, 91, 92, 93, 96, 97, 173,  
D12/181, 196, 404; 296/180.1, 180.3,  
296/191; 280/727, 770; 180/89.12  
CPC ..... B62D 25/00; B62D 25/02; B62D 35/00;  
B62D 35/001; B62D 33/06; B62D  
33/0612

See application file for complete search history.

(56) **References Cited**

U.S. PATENT DOCUMENTS

4,836,568 A \* 6/1989 Preslik ..... B60R 3/00  
224/401

D312,810 S \* 12/1990 Preslik ..... D12/203

D381,949 S \* 8/1997 Barrett, Jr. .... D12/203

D395,848 S \* 7/1998 Meryman ..... D12/97

D433,365 S \* 11/2000 Beigel ..... D12/196

D433,967 S \* 11/2000 Delashaw ..... D12/96

D434,348 S \* 11/2000 Delashaw ..... D12/96

D460,023 S \* 7/2002 Beigel ..... D12/96

D522,944 S \* 6/2006 Beigel ..... D12/196

D522,945 S \* 6/2006 Beigel ..... D12/196

D531,948 S \* 11/2006 Angelo ..... D12/196

D579,843 S \* 11/2008 Beigel ..... D12/196

D652,774 S \* 1/2012 Aris ..... D12/184

D660,756 S \* 5/2012 Peltola ..... D12/196

D708,107 S \* 7/2014 Jensen ..... D12/196

D711,786 S \* 8/2014 Brzustowicz ..... D12/96

D711,788 S \* 8/2014 Brzustowicz ..... D12/96

D714,199 S \* 9/2014 Ito ..... D12/196

D719,879 S \* 12/2014 Ito ..... D12/96

9,139,241 B1 \* 9/2015 Smith ..... B62D 35/008

D741,768 S \* 10/2015 Brzustowicz ..... D12/196

D758,253 S \* 6/2016 Brzustowicz ..... D12/96

D764,992 S \* 8/2016 Vena ..... D12/181

D805,983 S \* 12/2017 Ito ..... D12/196

2009/0033058 A1 \* 2/2009 VanderGriend .... B60H 1/00271  
280/164.1

2014/0252798 A1 \* 9/2014 Angelo ..... B62D 33/0604  
296/180.2

OTHER PUBLICATIONS

Images of Volvo VNL Truck, released 2002, 2 pages.

\* cited by examiner

*Primary Examiner* — Ian Simmons  
*Assistant Examiner* — Yolanda Robinson  
(74) *Attorney, Agent, or Firm* — Tucker Ellis LLP

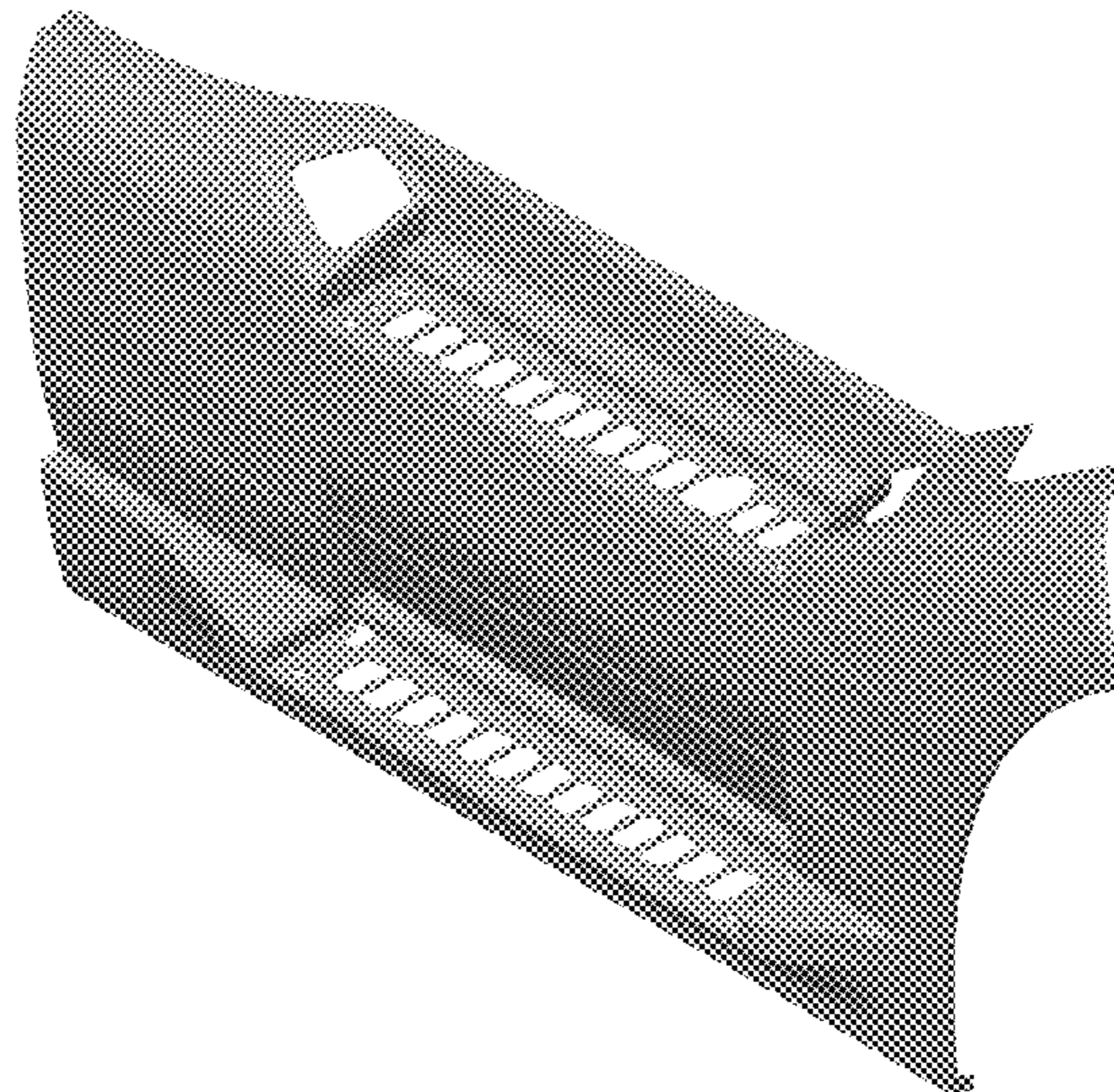
(57) **CLAIM**

The ornamental design for a body part for vehicle, as shown and described.

**DESCRIPTION**

FIG. 1 is a perspective view of a body part for vehicle showing our new design.  
FIG. 2 is a front view thereof.  
FIG. 3 is a left side view thereof.  
FIG. 4 is a right side view thereof.  
FIG. 5 is a top view thereof; and,  
FIG. 6 is a bottom view thereof.

**1 Claim, 3 Drawing Sheets**



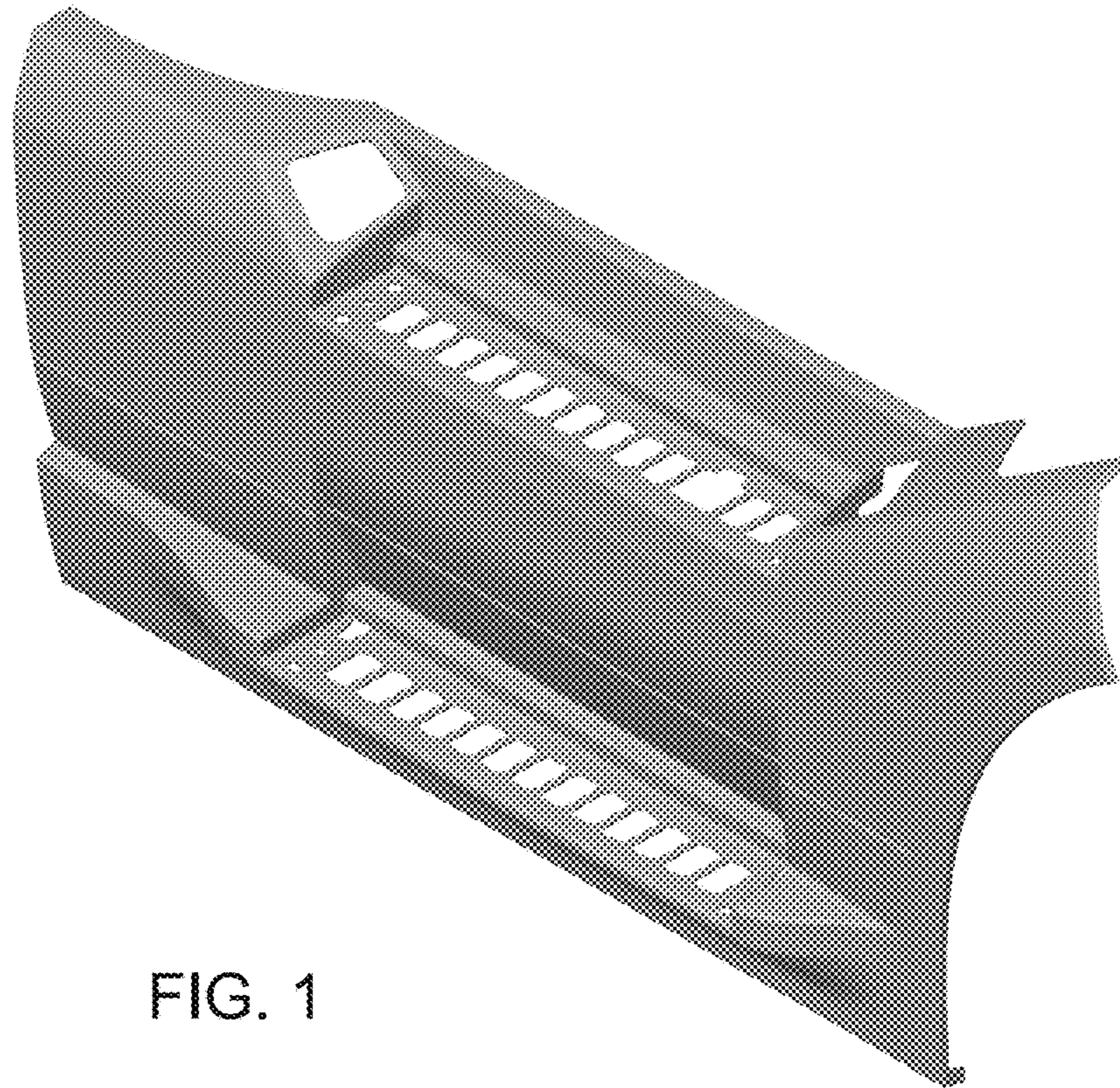


FIG. 1

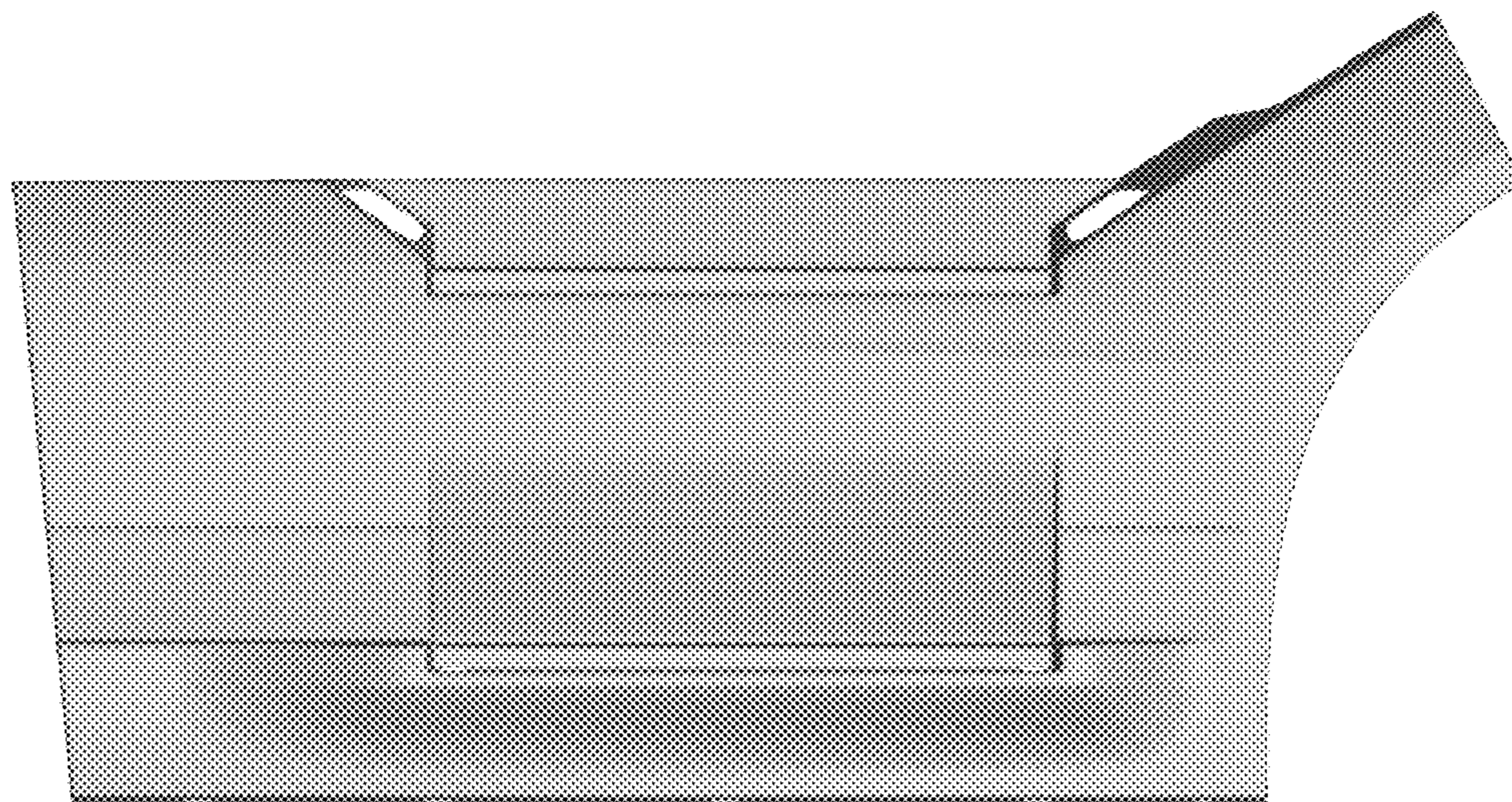


FIG. 2

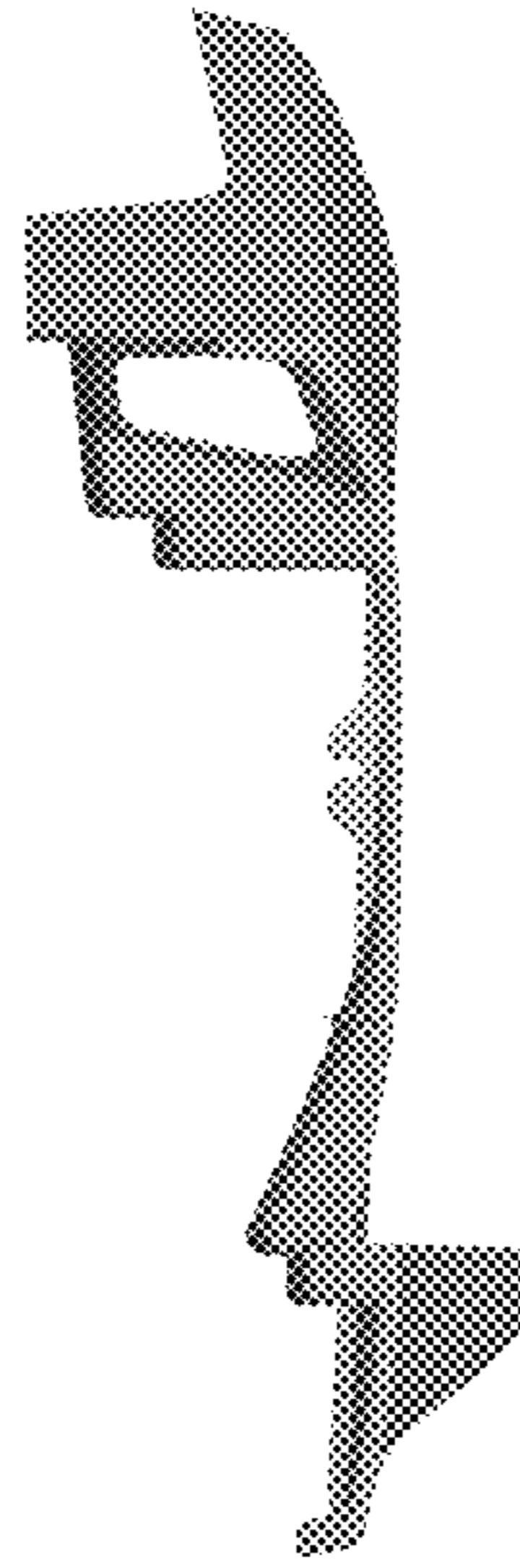


FIG. 3

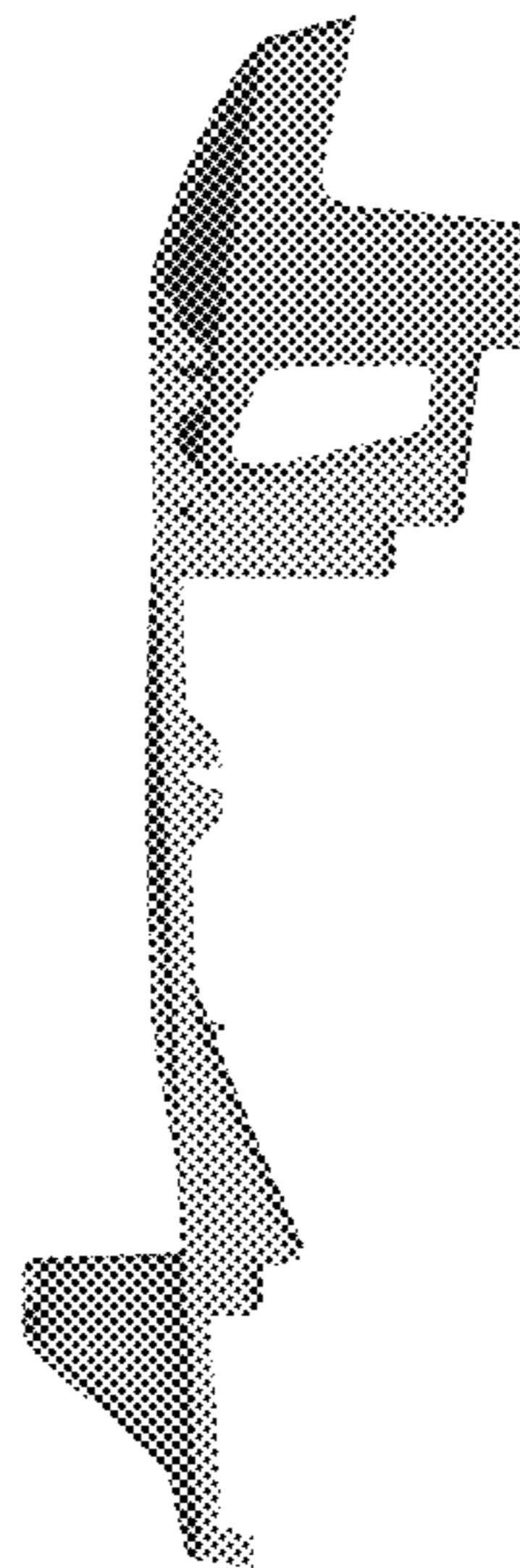


FIG. 4

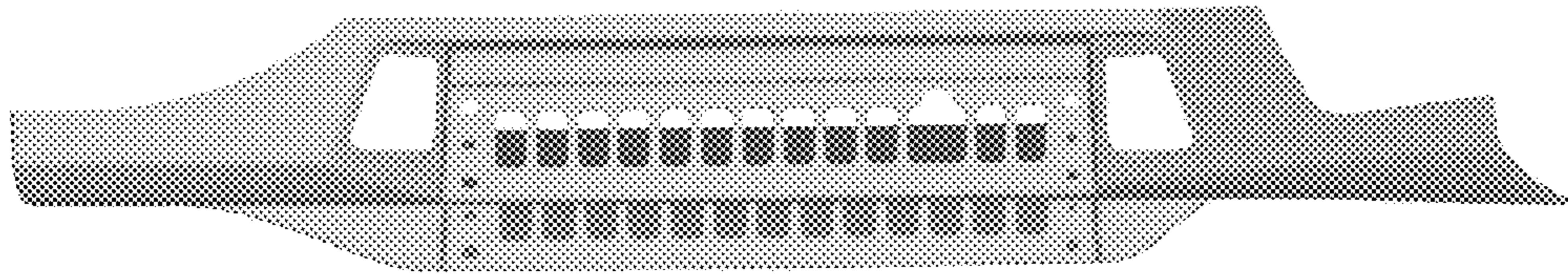


FIG. 5

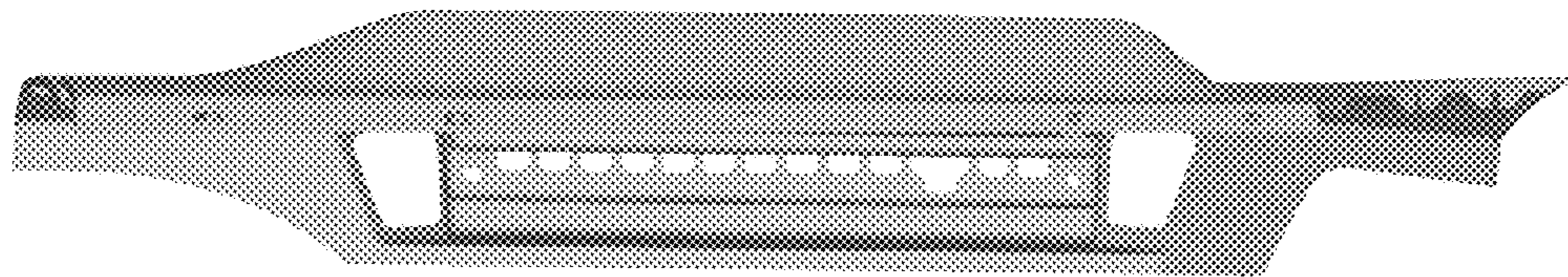


FIG. 6