



US00D826814S

(12) **United States Design Patent** (10) **Patent No.:** **US D826,814 S**  
**Von Holzhausen et al.** (45) **Date of Patent:** **\*\* Aug. 28, 2018**

(54) **INSTRUMENT PANEL**  
(71) Applicant: **Tesla, Inc.**, Palo Alto, CA (US)  
(72) Inventors: **Franz Von Holzhausen**, Malibu, CA (US); **Ivan Lampkin**, Redondo Beach, CA (US); **Pascal Grappey**, Rancho Palos Verdes, CA (US); **Peter Blades-Nixon**, Long Beach, CA (US)  
(73) Assignee: **Tesla, Inc.**, Palo Alto, CA (US)  
(\*\*) Term: **15 Years**  
(21) Appl. No.: **29/619,044**  
(22) Filed: **Sep. 26, 2017**  
(51) **LOC (11) Cl.** ..... **12-16**  
(52) **U.S. Cl.**  
USPC ..... **D12/192**  
(58) **Field of Classification Search**  
USPC ..... D12/192, 415, 418, 419, 110, 114, 345;  
D15/17, 28; D10/46, 98, 102-103,  
D10/122-127  
CPC ..... G08G 1/096883; G01C 21/16; G01C  
21/3688; G01C 21/30  
See application file for complete search history.

D802,504 S \* 11/2017 Weng ..... D12/192  
D803,743 S \* 11/2017 Igarashi ..... D12/192  
D804,380 S \* 12/2017 Nakai ..... D12/192  
D807,266 S \* 1/2018 Hasegawa ..... D12/192  
D808,873 S \* 1/2018 Joyce ..... D12/192  
D808,874 S \* 1/2018 Gao ..... D12/192  
D809,443 S \* 2/2018 Walker ..... D12/192  
D810,643 S \* 2/2018 Takamura ..... D12/192  
D812,536 S \* 3/2018 Matsuda ..... D12/192  
D813,127 S \* 3/2018 Yamamoto ..... D12/192  
D813,769 S \* 3/2018 Yaguchi ..... D12/192

\* cited by examiner

*Primary Examiner* — Katrina A Betton

(74) *Attorney, Agent, or Firm* — Haynes and Boone, LLP

(57) **CLAIM**

The ornamental design for an instrument panel, as shown and described.

**DESCRIPTION**

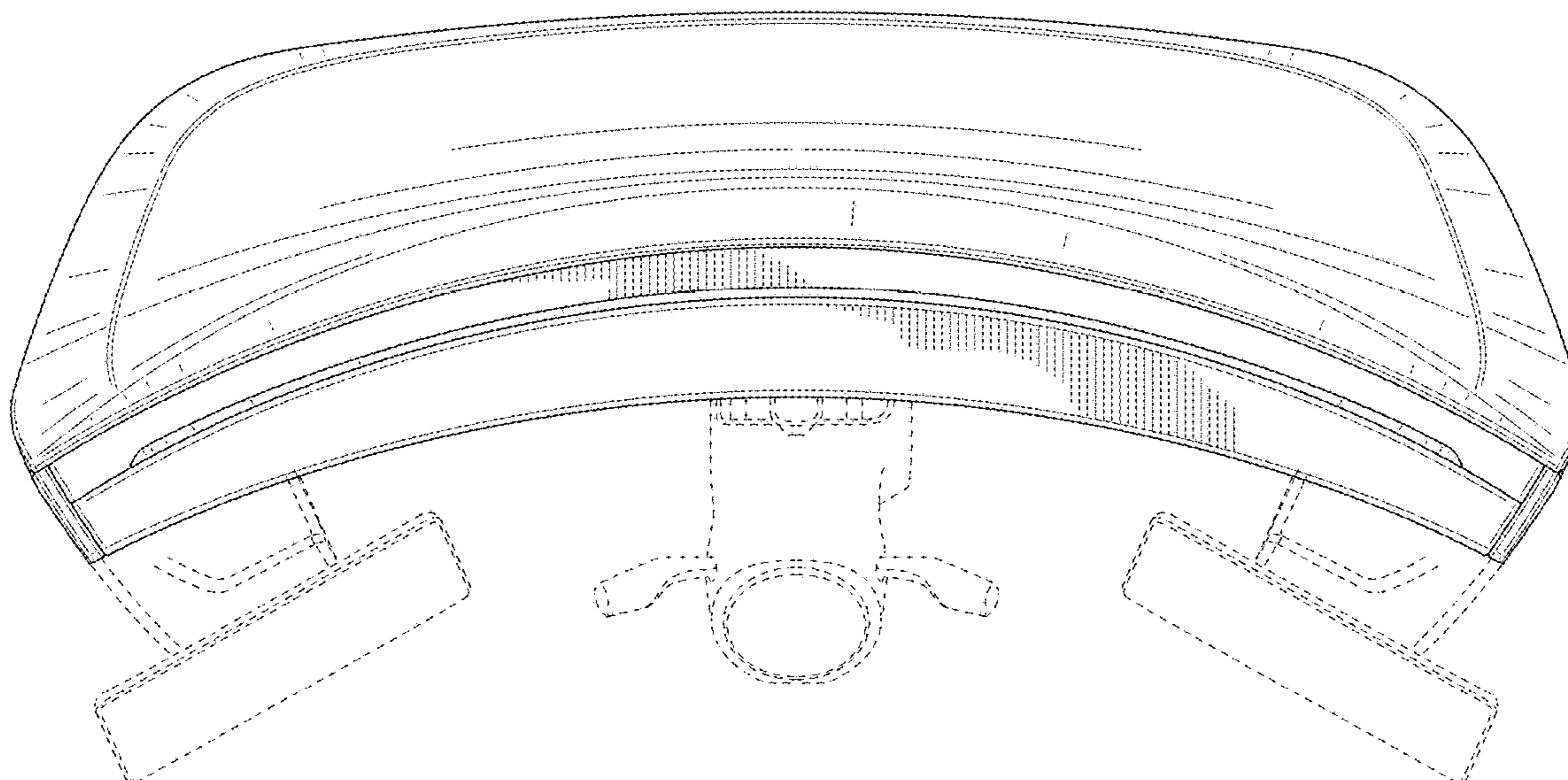
FIG. 1 is a side perspective view of an instrument panel. FIG. 2 is a front view of the instrument panel of FIG. 1. FIG. 3 is a back view of the instrument panel of FIG. 1. FIG. 4 is a right side view of the instrument panel of FIG. 1. FIG. 5 is a left side view of the instrument panel of FIG. 1. FIG. 6 is a top view of the instrument panel of FIG. 1; and, FIG. 7 is a bottom view of the instrument panel of FIG. 1. The items shown with broken lines form no part of the claimed design.

(56) **References Cited**

U.S. PATENT DOCUMENTS

D697,862 S \* 1/2014 Nemeth ..... D12/192  
D744,920 S \* 12/2015 Weng ..... D12/192

**1 Claim, 6 Drawing Sheets**



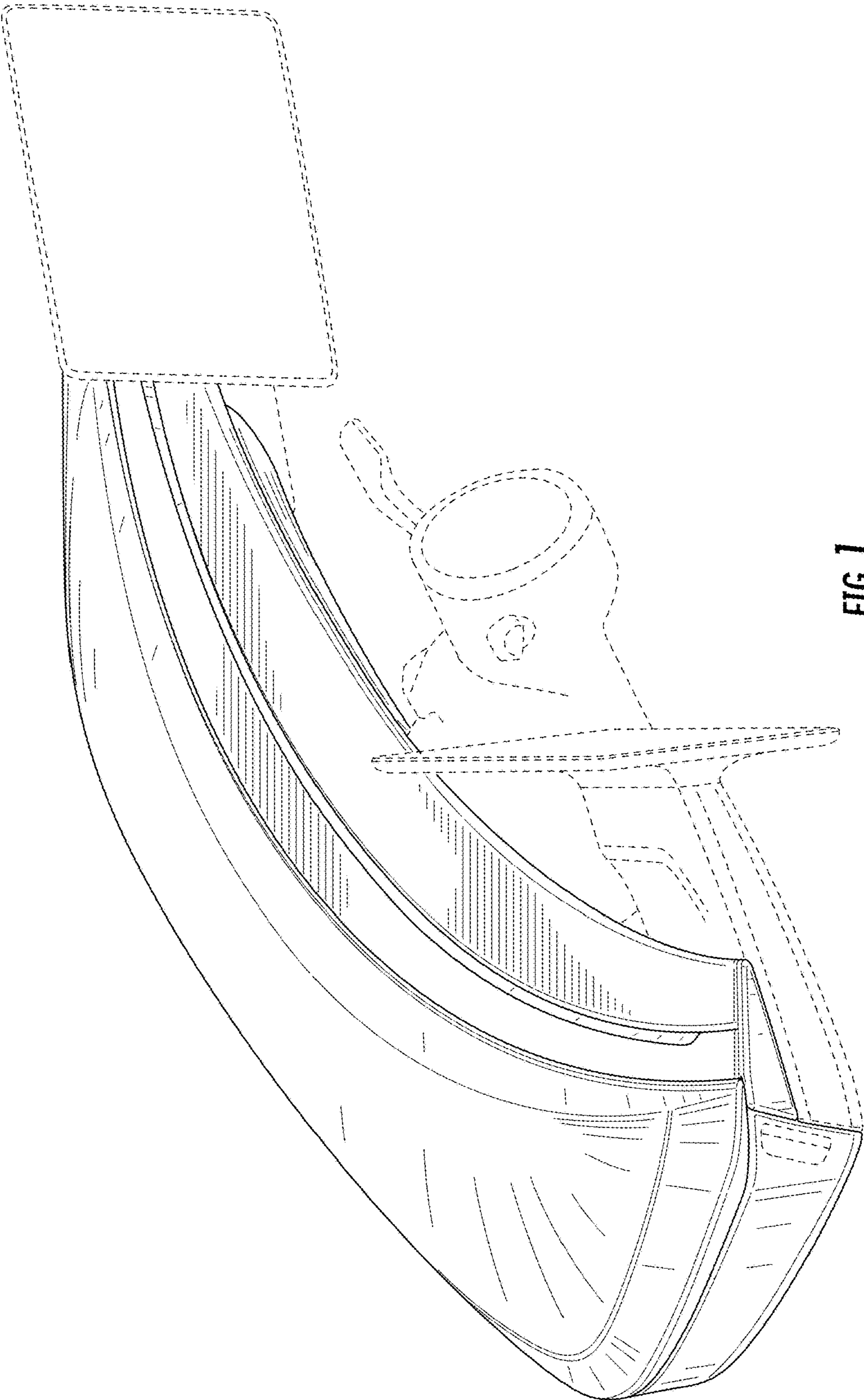


FIG. 1

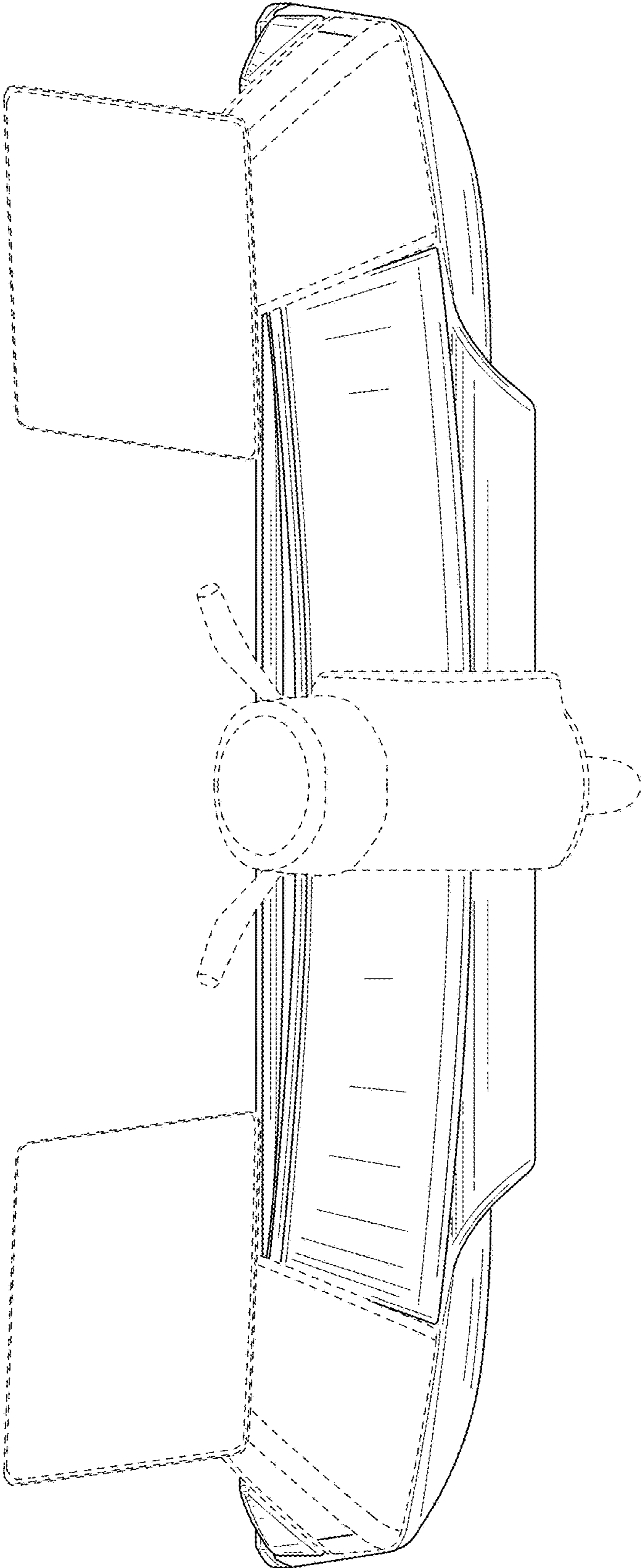


FIG. 2

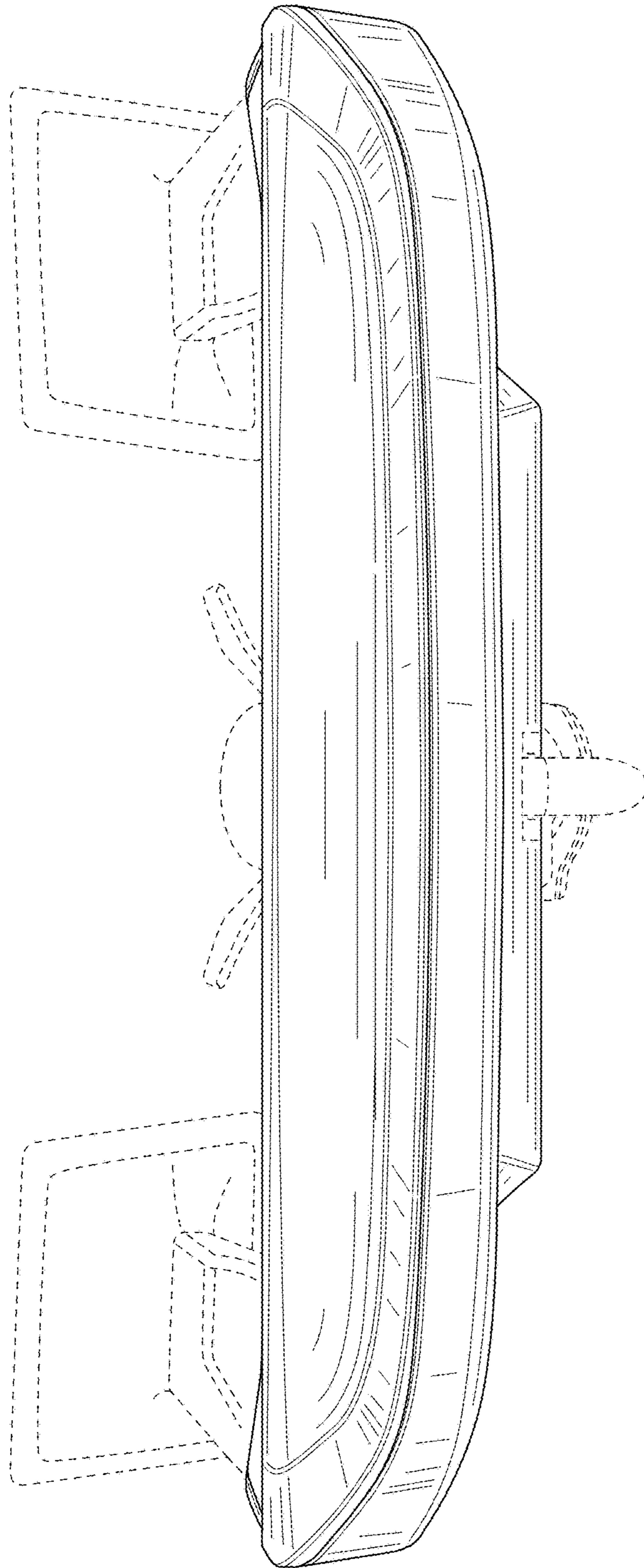


FIG. 3

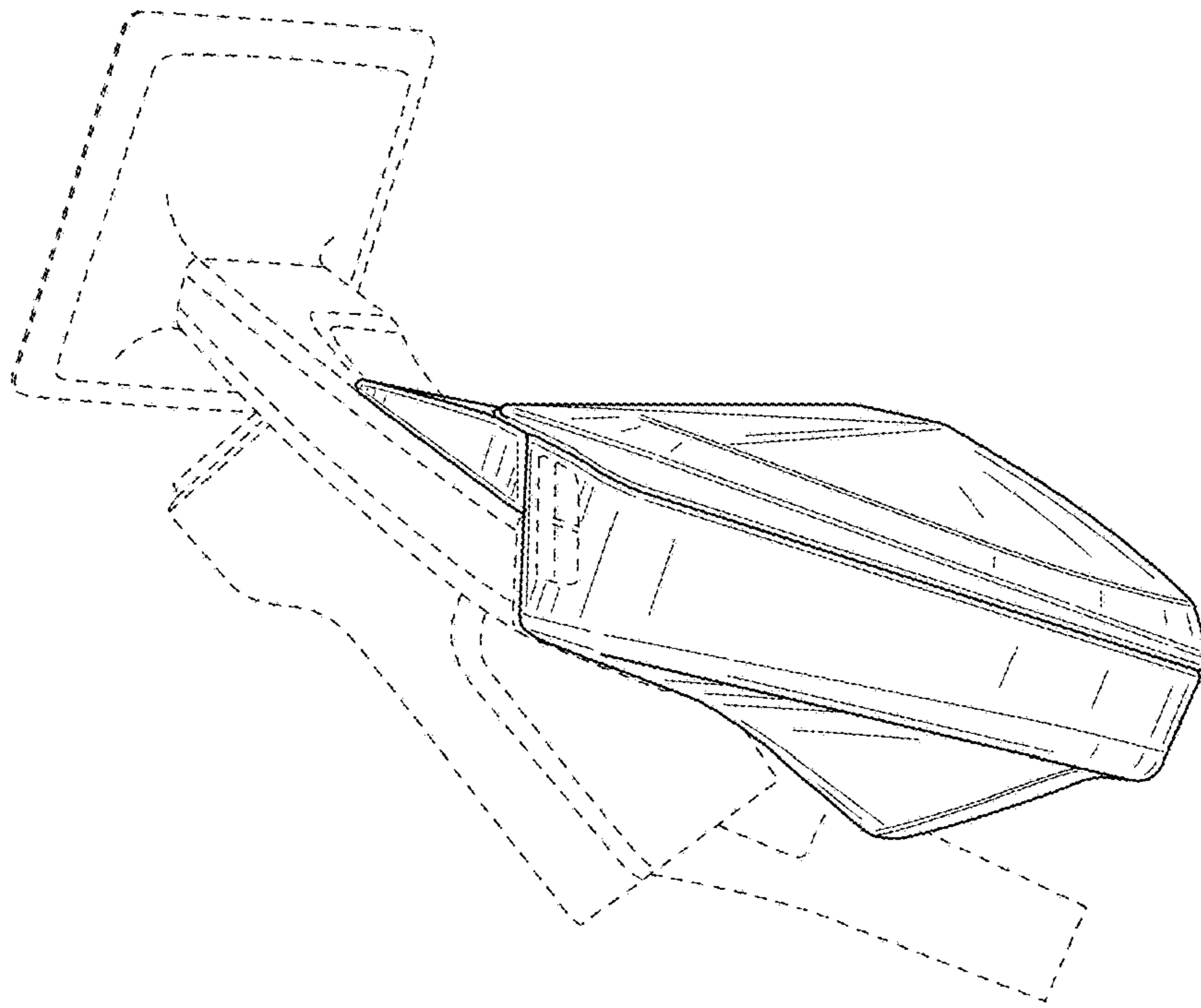


FIG. 4

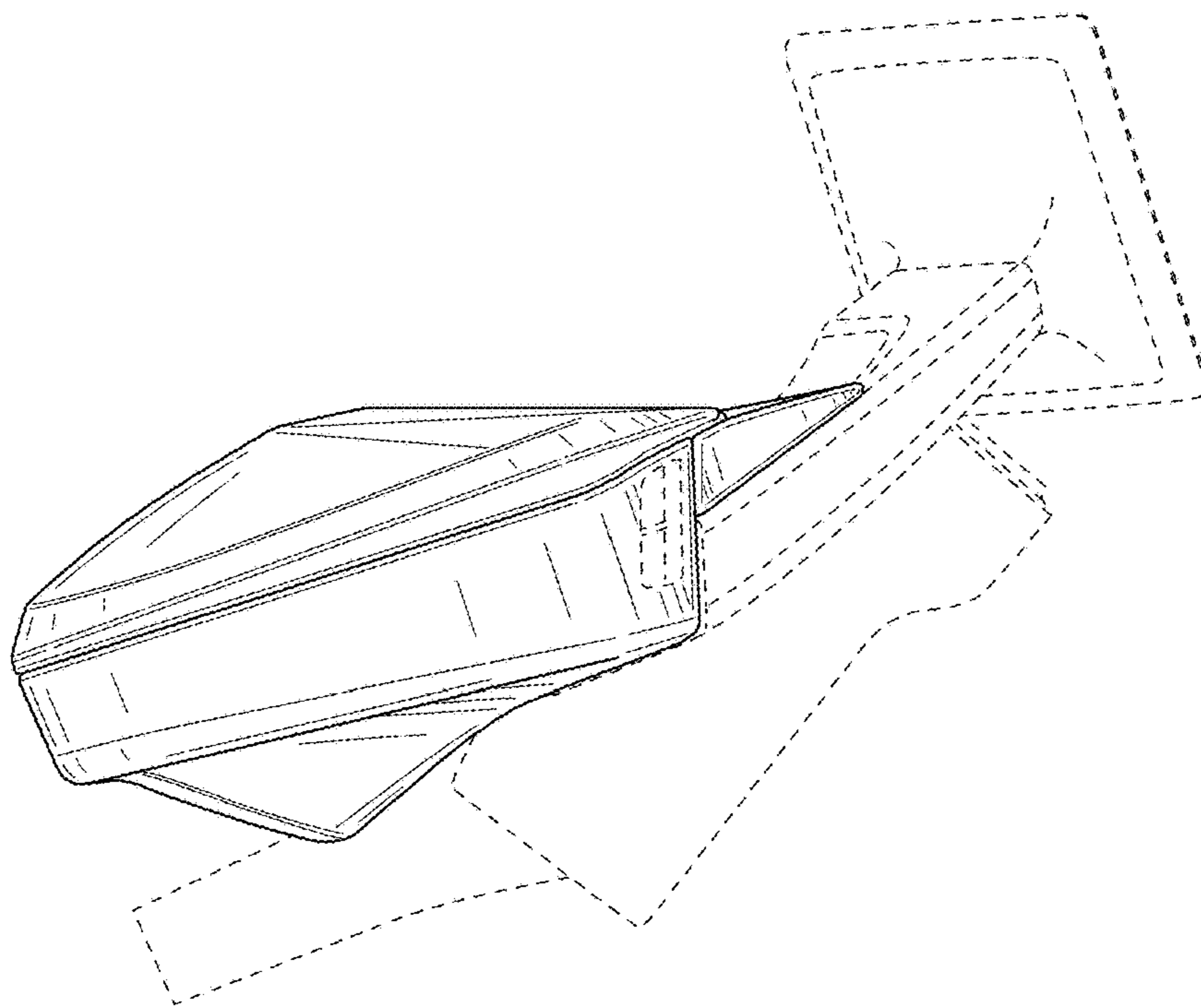


FIG. 5

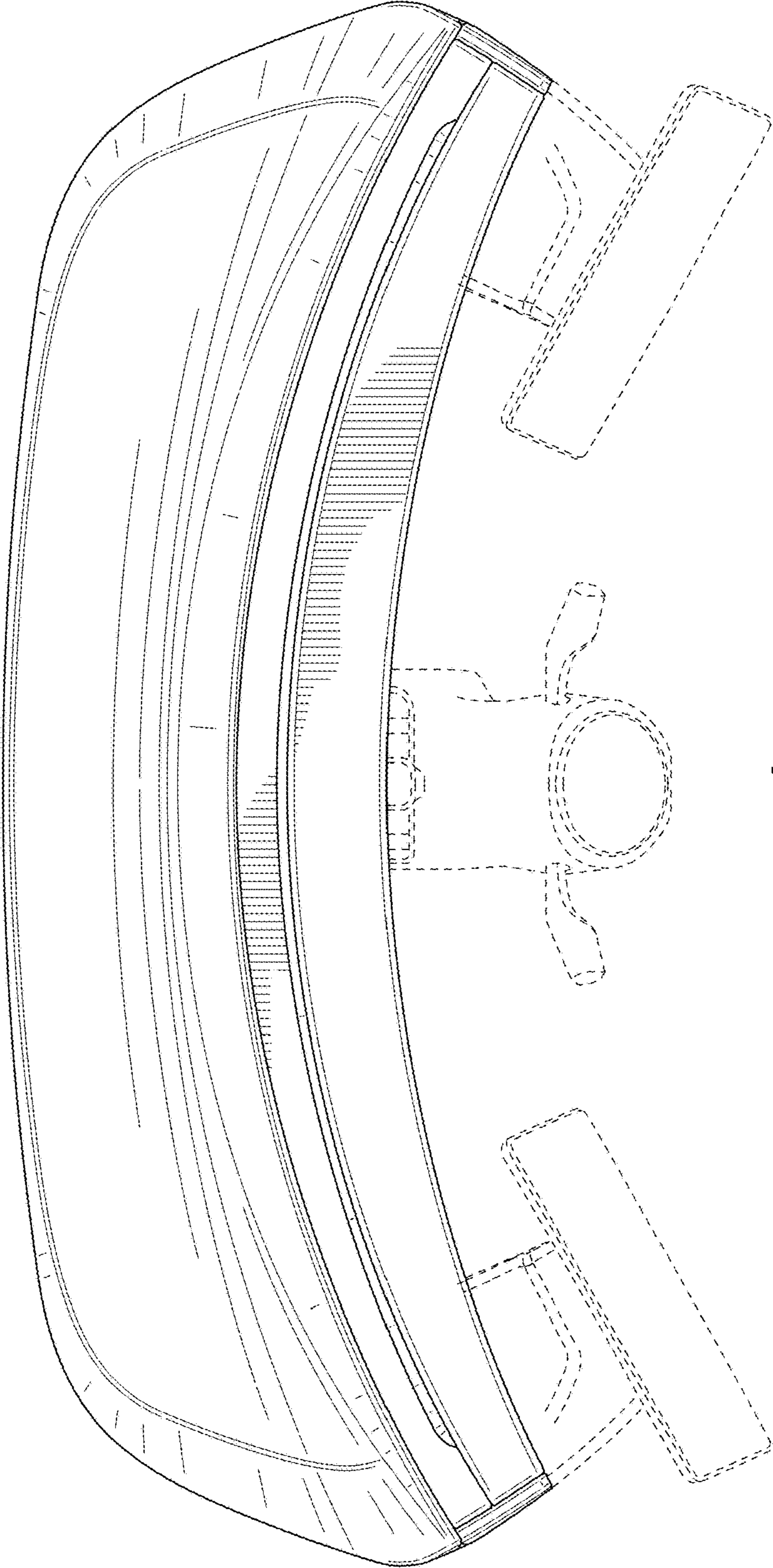


FIG. 6

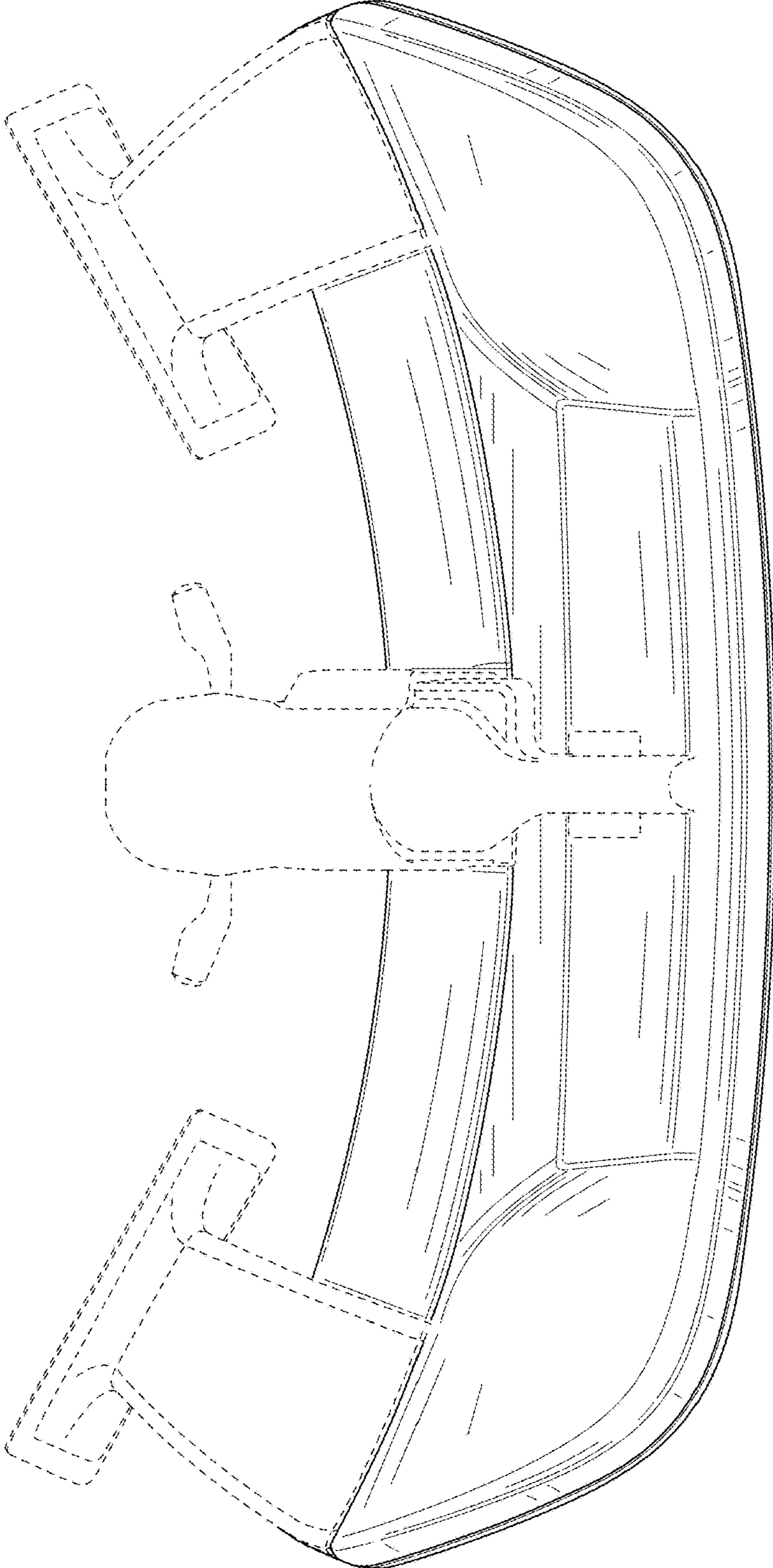


FIG. 7