



US00D826812S

(12) **United States Design Patent** (10) **Patent No.:** **US D826,812 S**
Von Holzhausen et al. (45) **Date of Patent:** **** Aug. 28, 2018**

- (54) **SUN VISOR**
- (71) Applicant: **Tesla, Inc.**, Palo Alto, CA (US)
- (72) Inventors: **Franz Von Holzhausen**, Malibu, CA (US); **Ivan Lampkin**, Redondo Beach, CA (US); **Pascal Grappey**, Rancho Palos Verdes, CA (US)
- (73) Assignee: **Tesla, Inc.**, Palo Alto, CA (US)
- (**) Term: **15 Years**
- (21) Appl. No.: **29/619,051**
- (22) Filed: **Sep. 26, 2017**
- (51) **LOC (11) Cl.** **12-16**
- (52) **U.S. Cl.**
USPC **D12/191**
- (58) **Field of Classification Search**
USPC D12/191, 181, 183–185, 106, 417, D12/311–312
CPC B60J 3/02; B60J 3/0208
See application file for complete search history.

- (56) **References Cited**
U.S. PATENT DOCUMENTS
D681,526 S * 5/2013 Santos D12/191
D683,290 S * 5/2013 Sanchez D12/191

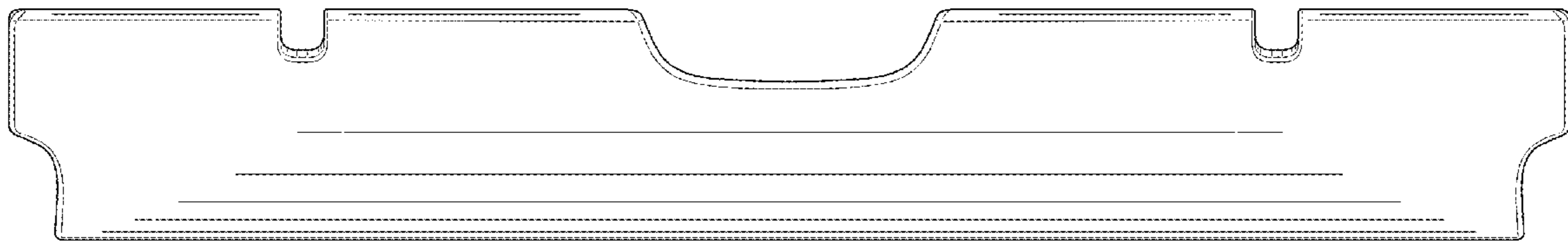
- D740,190 S * 10/2015 Spencer D12/191
- D741,763 S * 10/2015 Levi D12/191
- D762,539 S * 8/2016 Marcus D12/191
- D797,629 S * 9/2017 Abruzzio D12/191
- D808,318 S * 1/2018 Amante-Muniz D12/191
- 2017/0200993 A1* 7/2017 Song H01M 10/633
- 2017/0240026 A1* 8/2017 Abruzzio B60J 3/026
- 2017/0355318 A1* 12/2017 Lu B60R 7/05
- 2018/0009295 A1* 1/2018 Jalpa B60J 3/007

* cited by examiner
Primary Examiner — Katrina A Betton
 (74) *Attorney, Agent, or Firm* — Haynes and Boone, LLP

(57) **CLAIM**
 The ornamental design for a sun visor, as shown and described.

DESCRIPTION
 FIG. 1 is a perspective view of a sun visor.
 FIG. 2 is a front view of the sun visor of FIG. 1.
 FIG. 3 is a rear view of the sun visor of FIG. 1.
 FIG. 4 is a left-side view of the sun visor of FIG. 1.
 FIG. 5 is a right-side view of the sun visor of FIG. 1.
 FIG. 6 is a top view of the sun visor of FIG. 1; and,
 FIG. 7 is a bottom view of the sun visor of FIG. 1.
 The items shown with broken lines form no part of the claimed design.

1 Claim, 4 Drawing Sheets



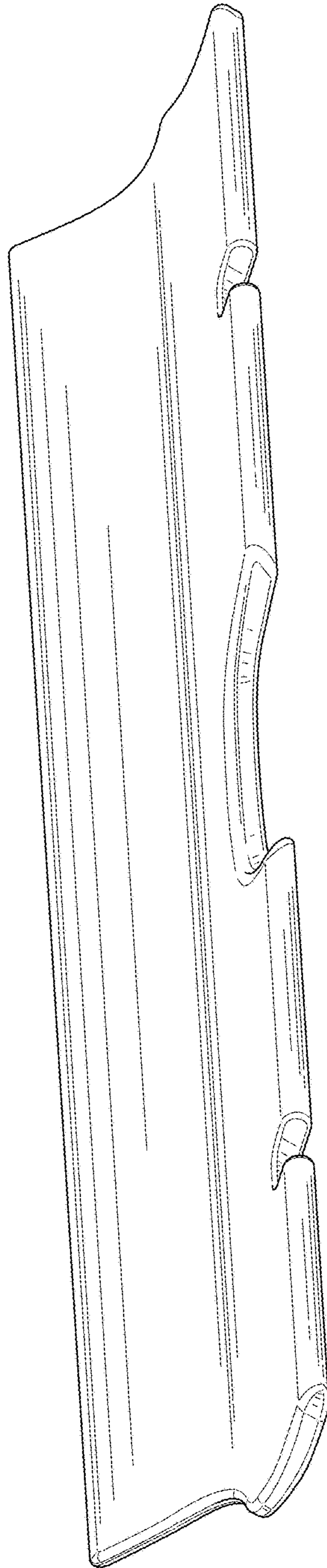


FIG. 1

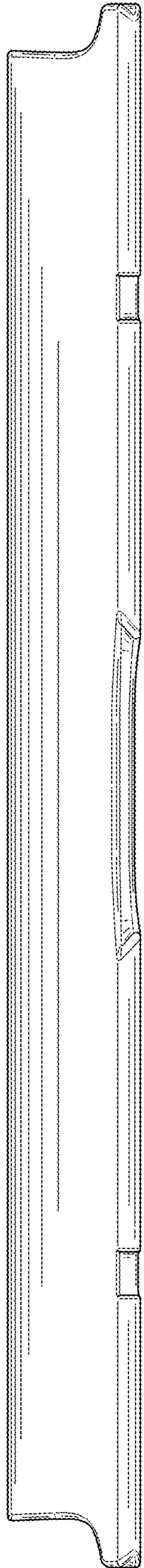


FIG. 2

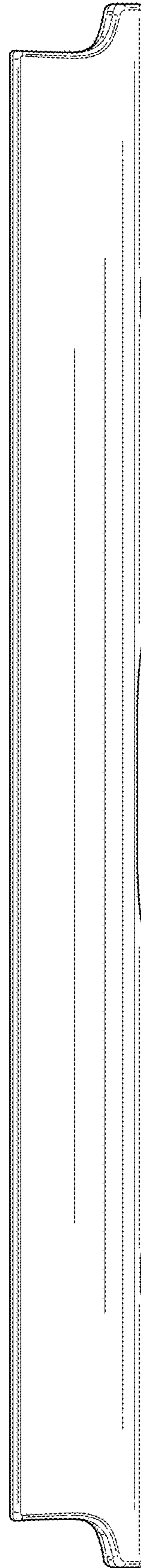


FIG. 3

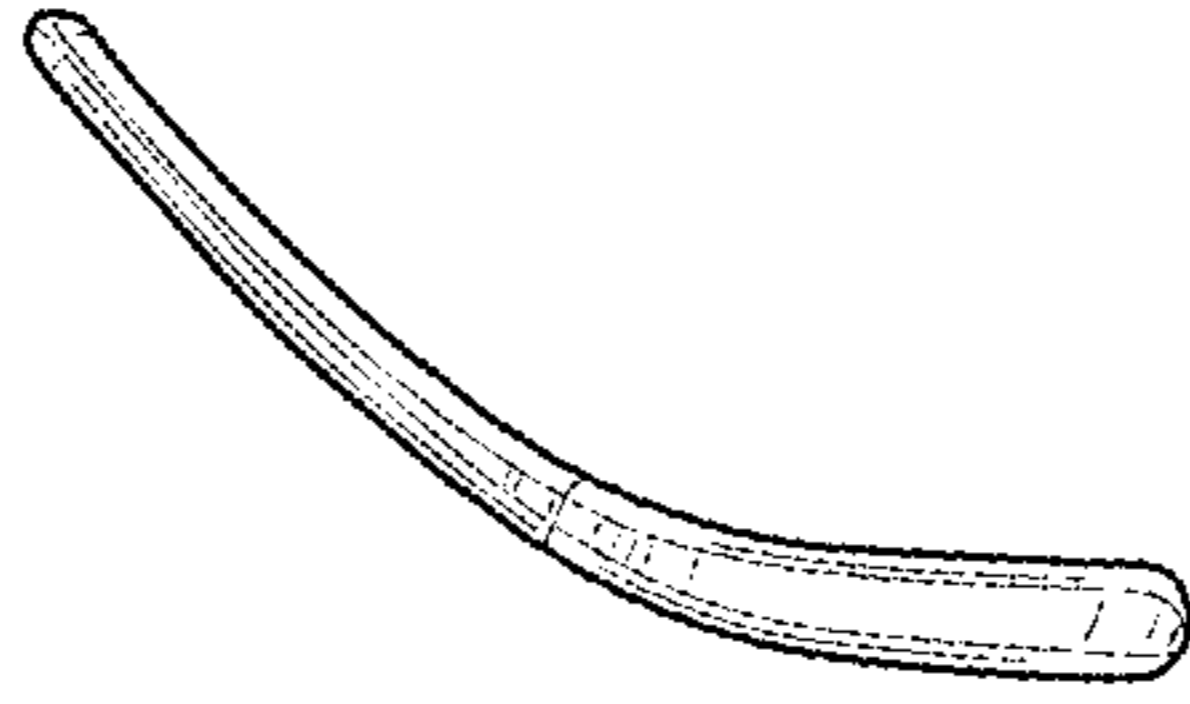


FIG. 4

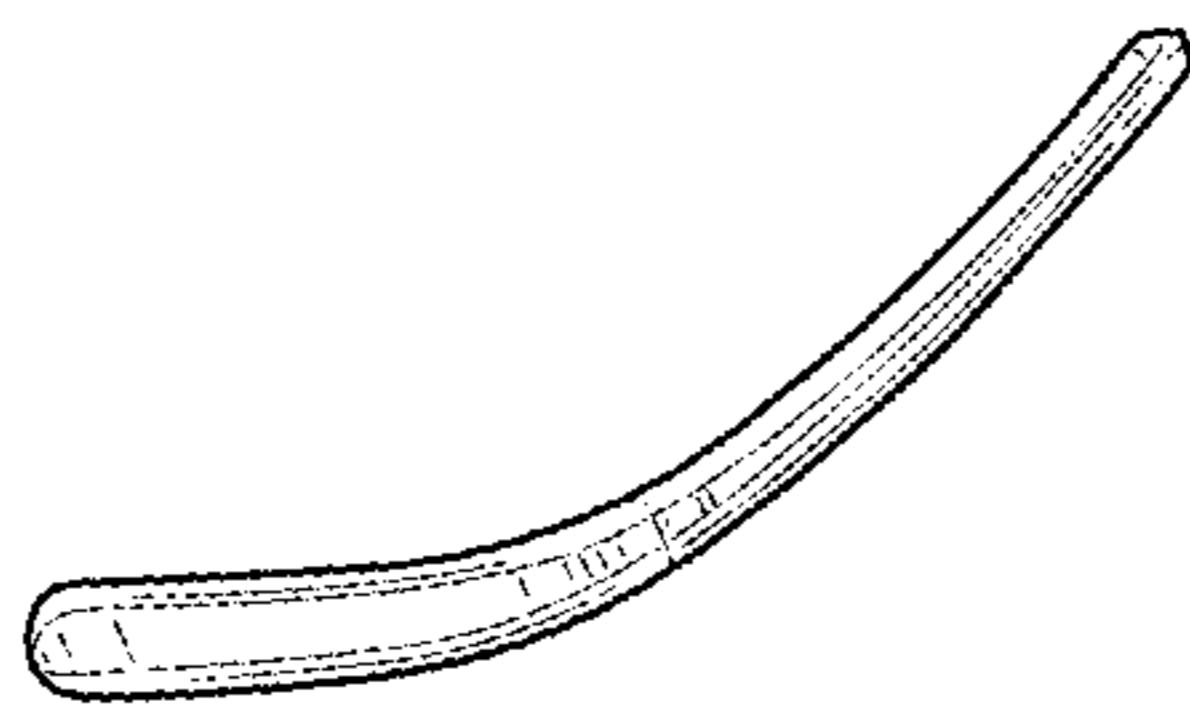


FIG. 5

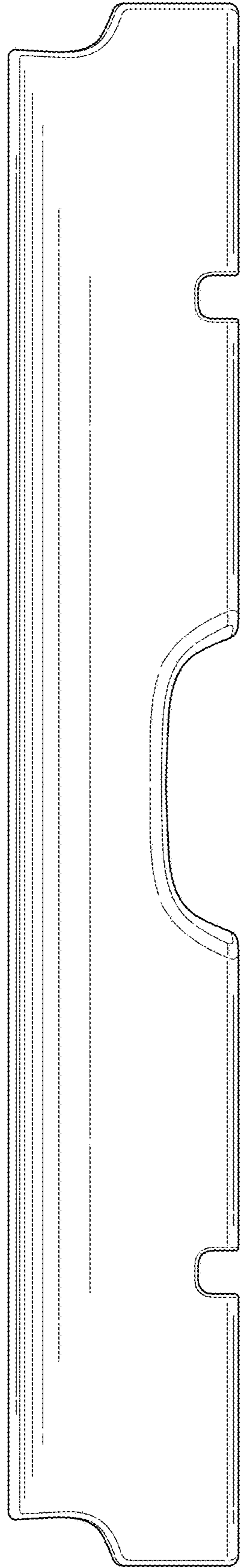


FIG. 6

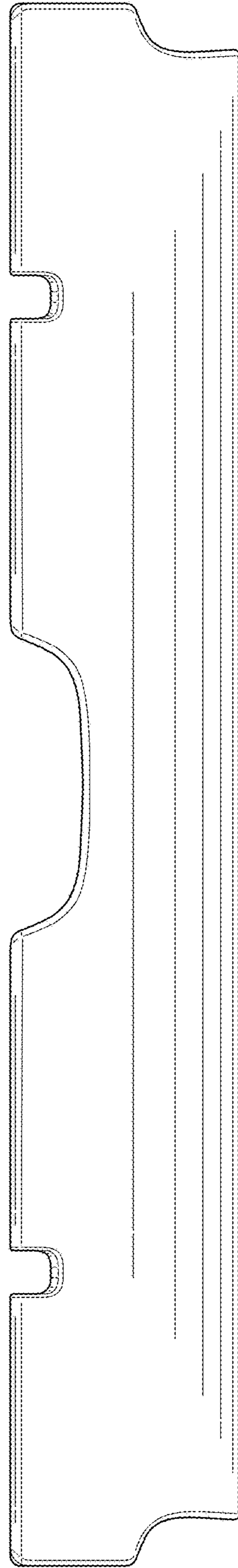


FIG. 7