



US00D826811S

(12) **United States Design Patent** (10) **Patent No.:** **US D826,811 S**  
**Lim** (45) **Date of Patent:** **\*\* Aug. 28, 2018**

(54) **FRONT FENDER FOR A VEHICLE**  
(71) Applicant: **Bayerische Motoren Werke Aktiengesellschaft, Munich (DE)**  
(72) Inventor: **Seungmo Lim, Munich (DE)**  
(73) Assignee: **Bayerische Motoren Werke Aktiengesellschaft, Munich (DE)**  
(\*\*) Term: **15 Years**

D755,096 S \* 5/2016 Wolff ..... D12/184  
D768,551 S \* 10/2016 Arroba ..... D12/196  
D787,395 S \* 5/2017 Curic ..... D12/181  
D803,119 S \* 11/2017 Beermann ..... D12/184  
2015/0251614 A1\* 9/2015 Boksebeld ..... B62D 25/105  
293/155

(21) Appl. No.: **29/600,512**  
(22) Filed: **Apr. 13, 2017**  
(30) **Foreign Application Priority Data**

**FOREIGN PATENT DOCUMENTS**

WO WO DM/054296 2/2001  
WO WO DM/068441 1/2007

\* cited by examiner

*Primary Examiner* — Karen S Acker  
*Assistant Examiner* — Jerry Shiuan-Hua Hsu  
(74) *Attorney, Agent, or Firm* — Crowell & Moring LLP

Jan. 9, 2017 (DE) ..... 40 2017 100 011  
(51) **LOC (11) Cl.** ..... **12-16**  
(52) **U.S. Cl.**  
USPC ..... **D12/184**  
(58) **Field of Classification Search**  
USPC .... D12/181, 90, 86, 82, 221, 196, 190, 184,  
D12/177, 175, 99, 97, 96, 93, 95, 91  
CPC ..... B62D 25/02; B62D 25/16; B62D 25/18;  
B62D 25/105  
See application file for complete search history.

(57) **CLAIM**

The ornamental design for a front fender for a vehicle, as shown and described.

(56) **References Cited**

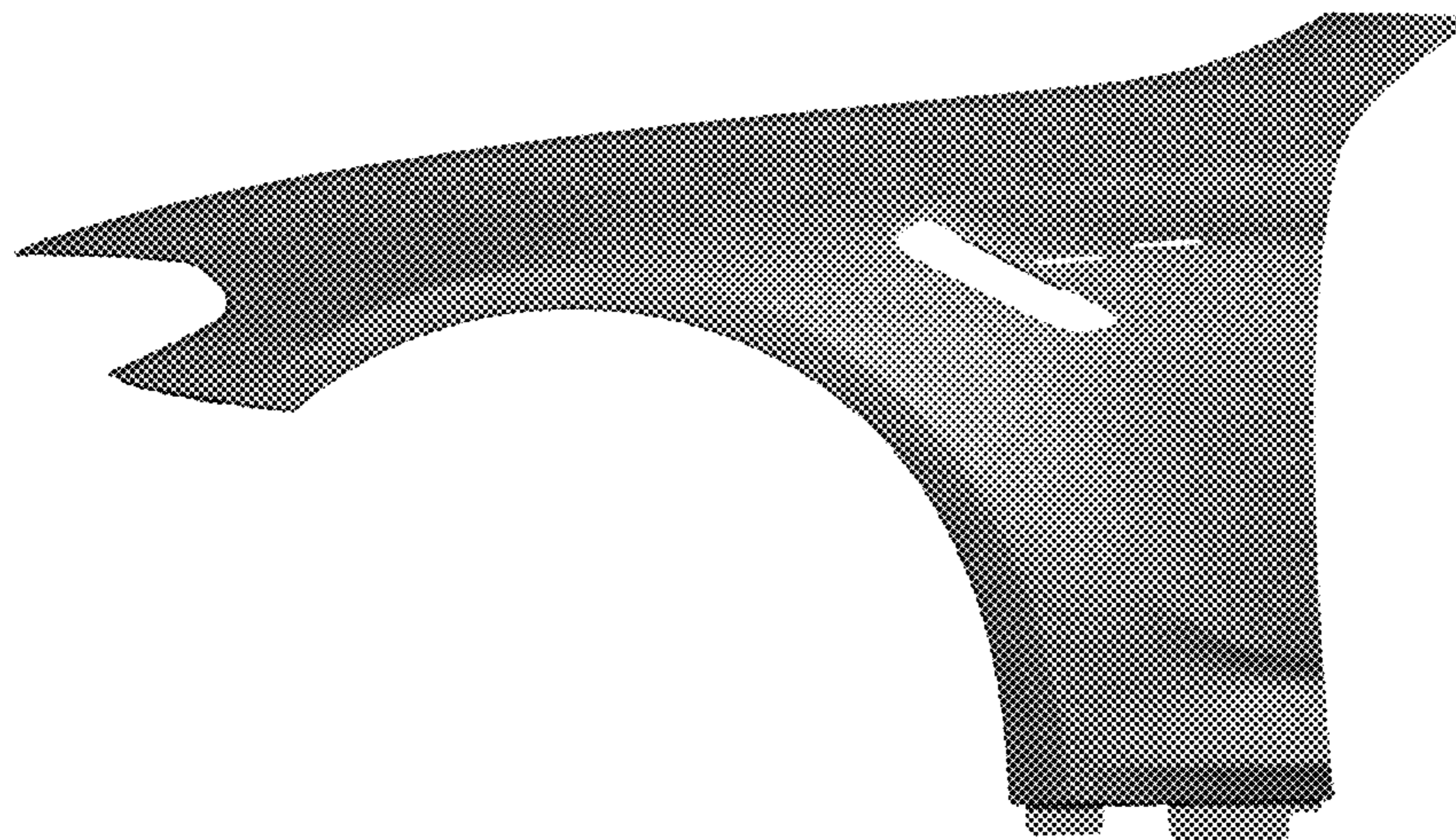
**DESCRIPTION**

This application contains subject matter related to the following co-pending U.S. design patent application: Application Ser. No. 29/579,105, filed Sep. 28, 2016 and entitled "Front Fender for a Vehicle."  
FIG. 1 is a front view of a front fender for a vehicle according to the design;  
FIG. 2 is a left perspective view thereof;  
FIG. 3 is a right perspective view thereof;  
FIG. 4 is a left side view thereof;  
FIG. 5 is a right side view thereof;  
FIG. 6 is a top view thereof;  
FIG. 7 is a bottom view thereof; and,  
FIG. 8 is a rear view thereof.

**U.S. PATENT DOCUMENTS**

D555,557 S \* 11/2007 Schiavone ..... D12/184  
D571,269 S 6/2008 Baum  
D597,459 S \* 8/2009 Wagner ..... D12/184  
D603,773 S \* 11/2009 Schiavone ..... D12/184  
D615,012 S \* 5/2010 Ectors ..... D12/181  
D620,407 S \* 7/2010 Froehlich ..... D12/184  
D630,985 S \* 1/2011 Matei ..... D12/181  
D631,413 S \* 1/2011 Kuze ..... D12/181  
D659,616 S \* 5/2012 Matsumoto ..... D12/184  
D748,023 S 1/2016 Nissl

**1 Claim, 8 Drawing Sheets**



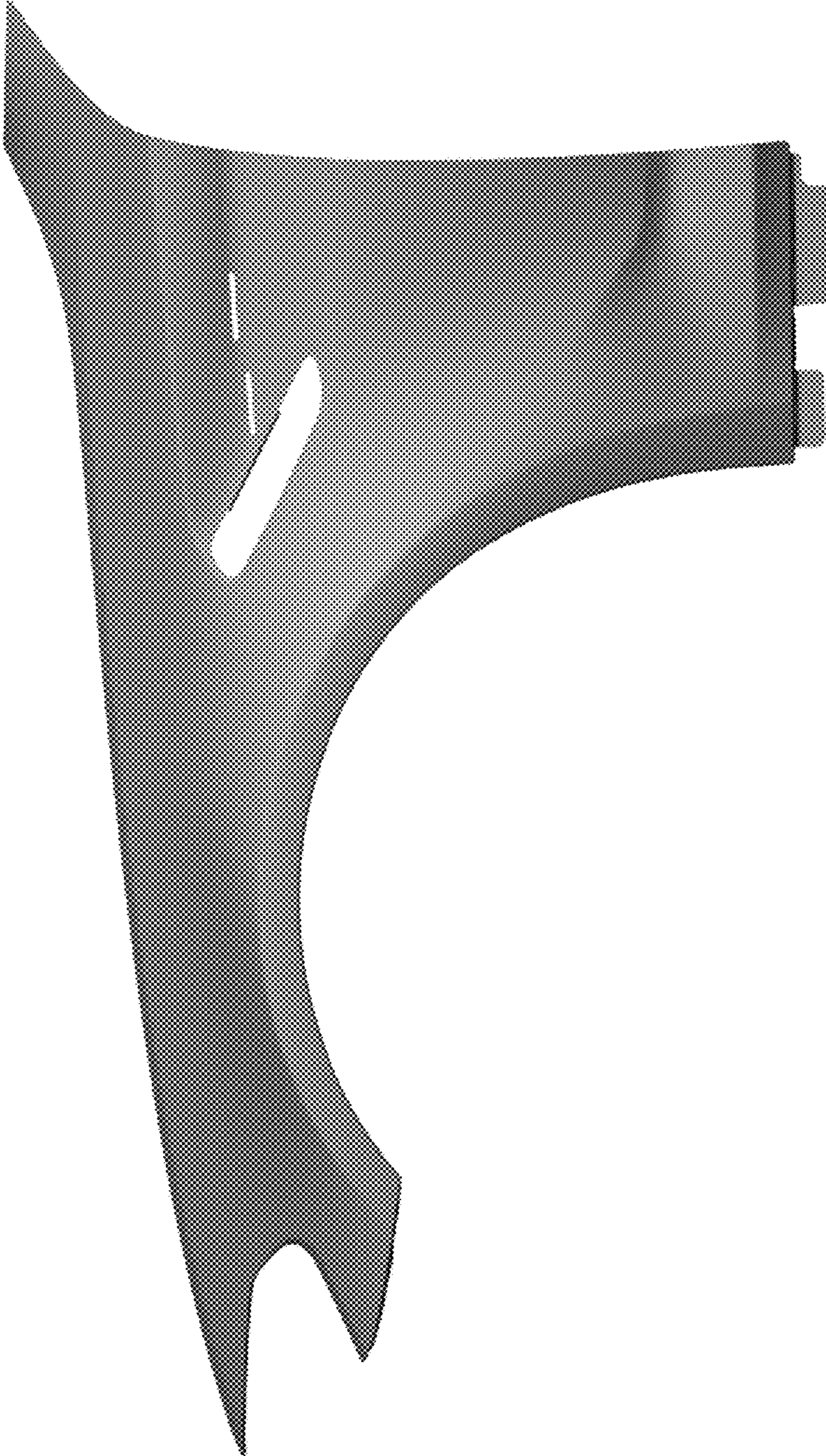


Fig. 1



Fig. 2

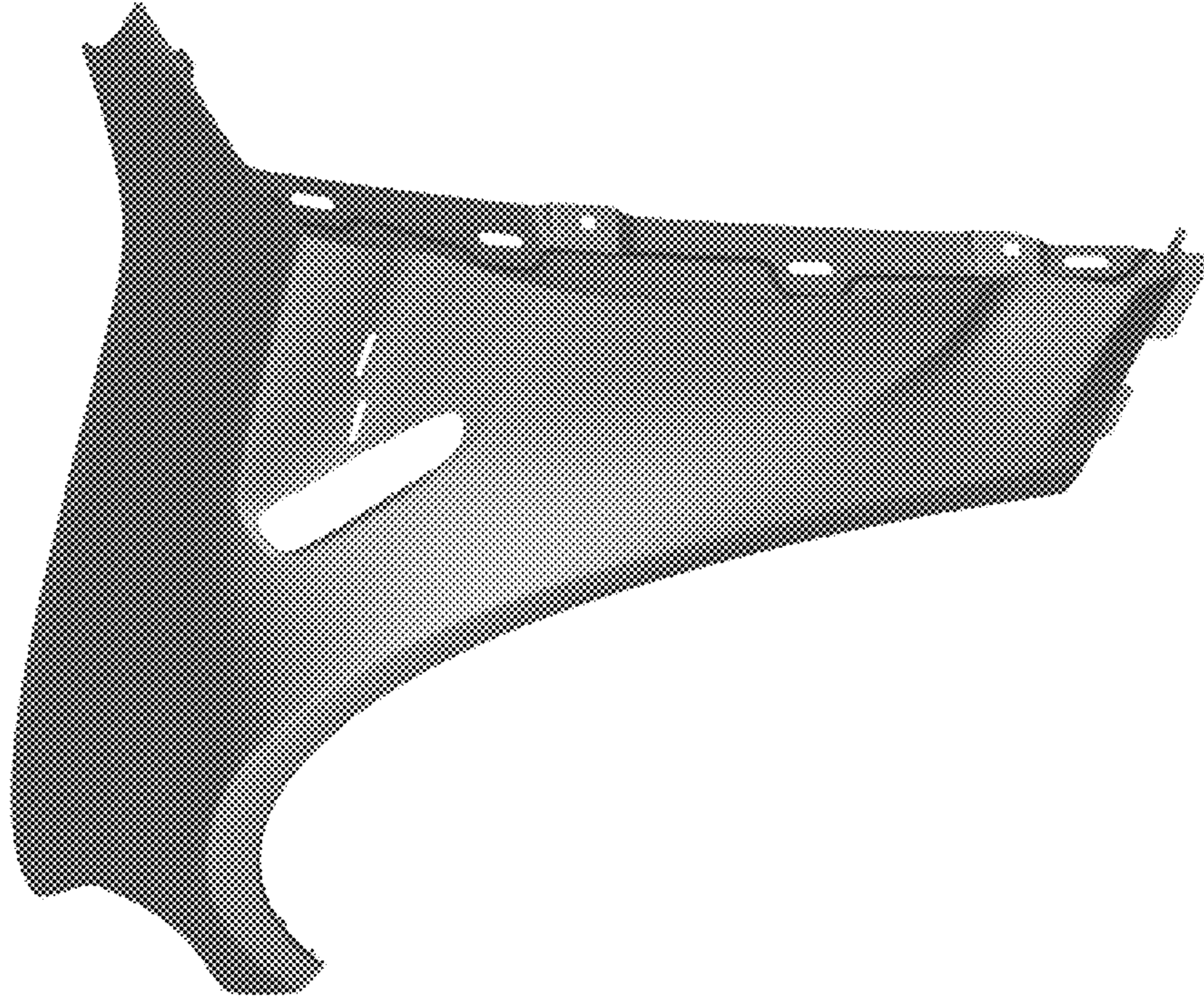


Fig. 3

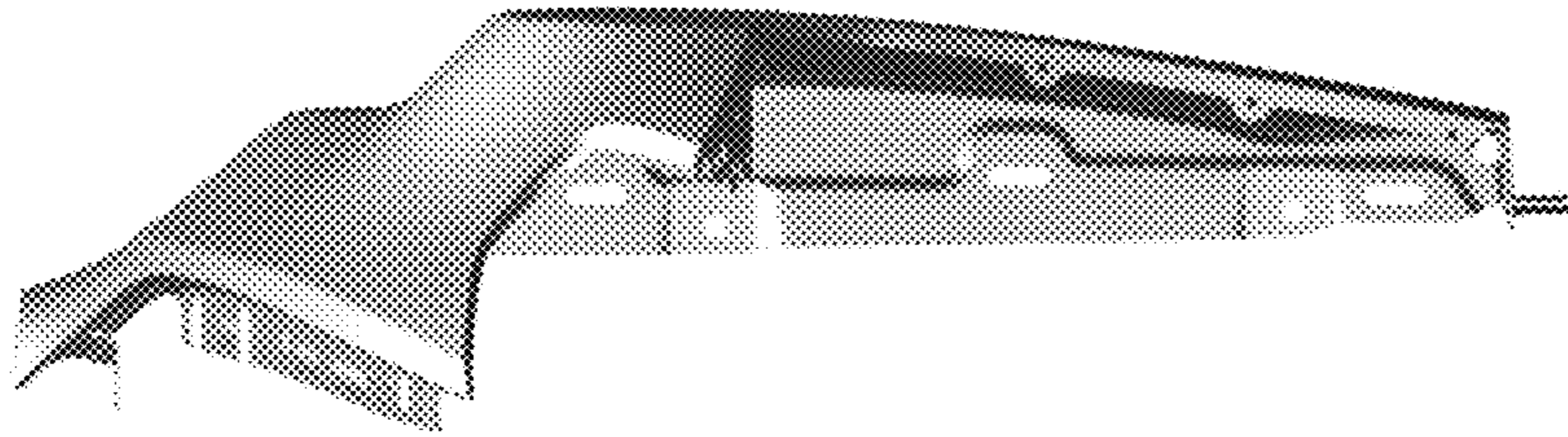


Fig. 4

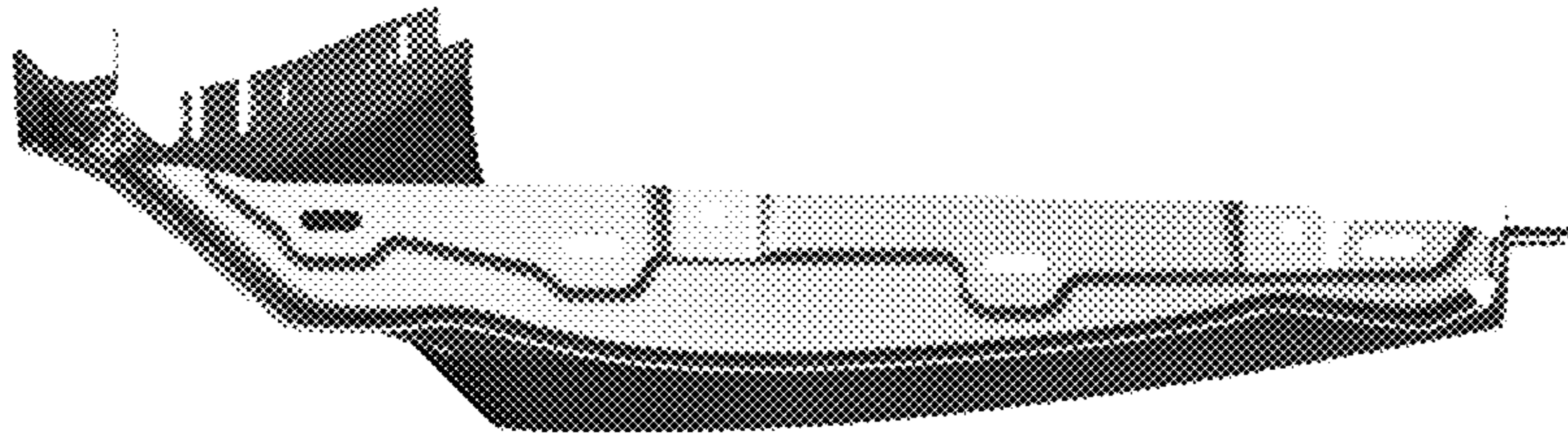


Fig. 5

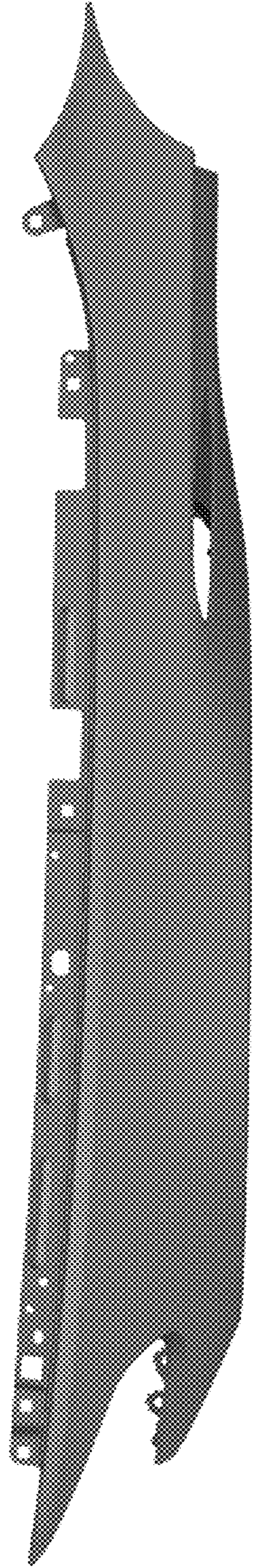


Fig. 6

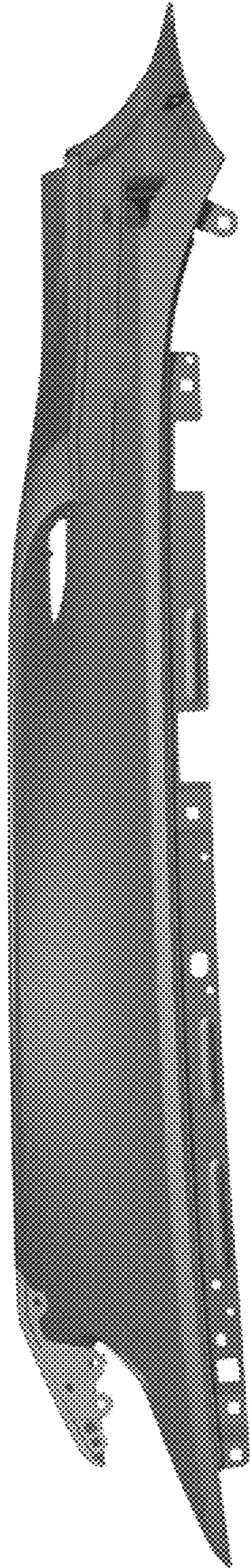


Fig. 7



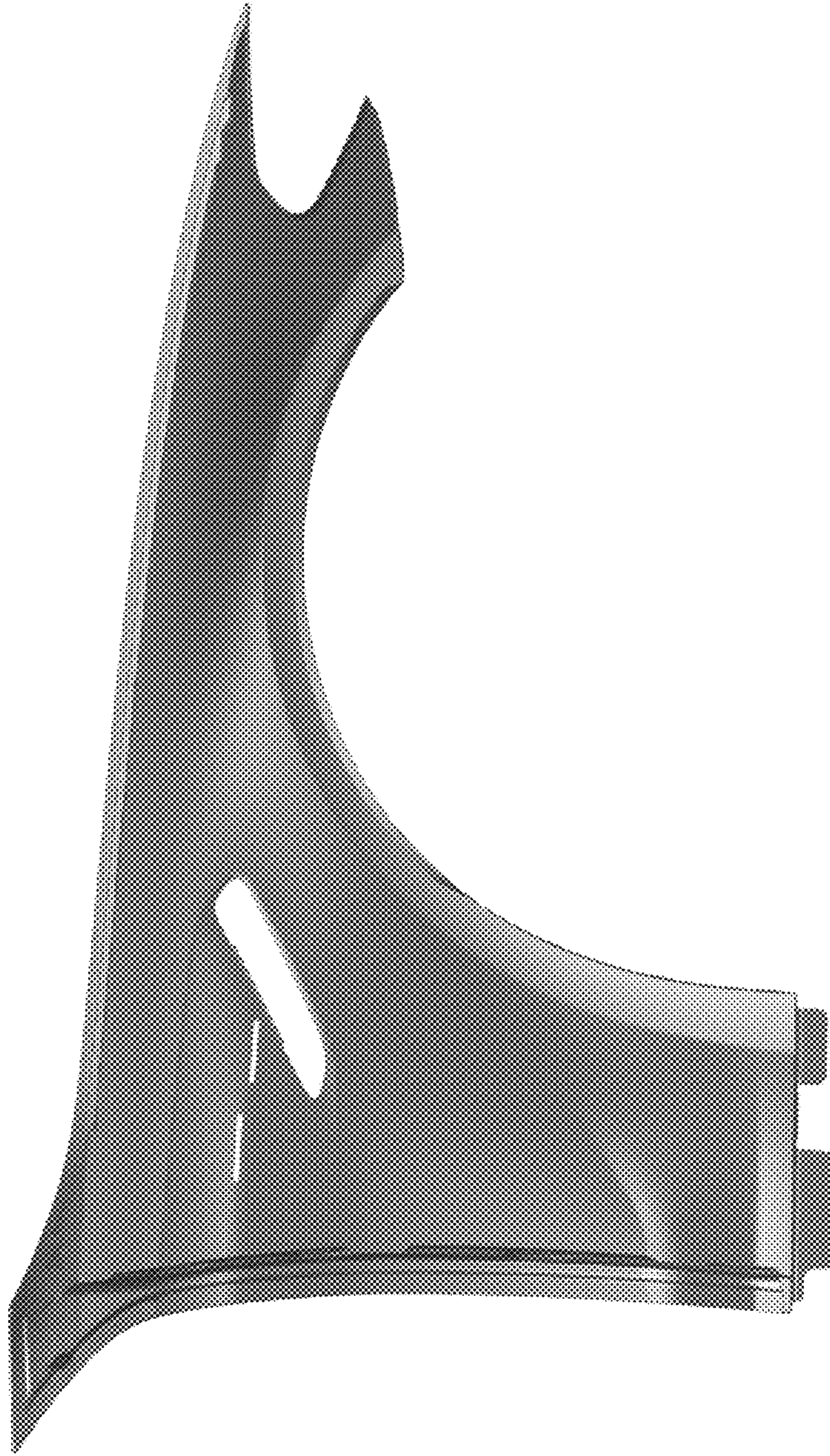


Fig. 8