



US00D826810S

(12) **United States Design Patent** (10) **Patent No.:** **US D826,810 S**
Simm (45) **Date of Patent:** **** Aug. 28, 2018**

(54) **REAR FENDER FOR A VEHICLE**
(71) Applicant: **Bayerische Motoren Werke Aktiengesellschaft, Munich (DE)**

D696,172 S * 12/2013 Kawasaki D12/196
D699,170 S * 2/2014 Okue D12/184
D741,761 S * 10/2015 Mueller-Stolz D12/184
D770,954 S * 11/2016 Luk D12/196
2015/0054309 A1* 2/2015 Kuenkler B62D 25/02
296/187.11

(72) Inventor: **Sebastian Simm, Munich (DE)**
(73) Assignee: **Bayerische Motoren Werke Aktiengesellschaft, Munich (DE)**

FOREIGN PATENT DOCUMENTS

(**) Term: **15 Years**

WO WO DM/074951 5/2011
* cited by examiner

(21) Appl. No.: **29/594,690**

Primary Examiner — Karen S Acker
Assistant Examiner — Jerry Shiuang-Hua Hsu
(74) *Attorney, Agent, or Firm* — Crowell & Moring LLP

(22) Filed: **Feb. 22, 2017**

(30) **Foreign Application Priority Data**

Aug. 23, 2016 (DE) 40 2016 101 022

(51) **LOC (11) Cl.** **12-16**

(52) **U.S. Cl.**
USPC **D12/184**

(58) **Field of Classification Search**
USPC D12/181, 90, 86, 82, 221, 196, 190, 184,
D12/177, 175, 99, 97, 96, 93, 95, 91
CPC B62D 25/02; B62D 25/16; B62D 25/18;
B62D 25/105
See application file for complete search history.

(57) **CLAIM**

The ornamental design for a rear fender for a vehicle, as shown and described.

(56) **References Cited**

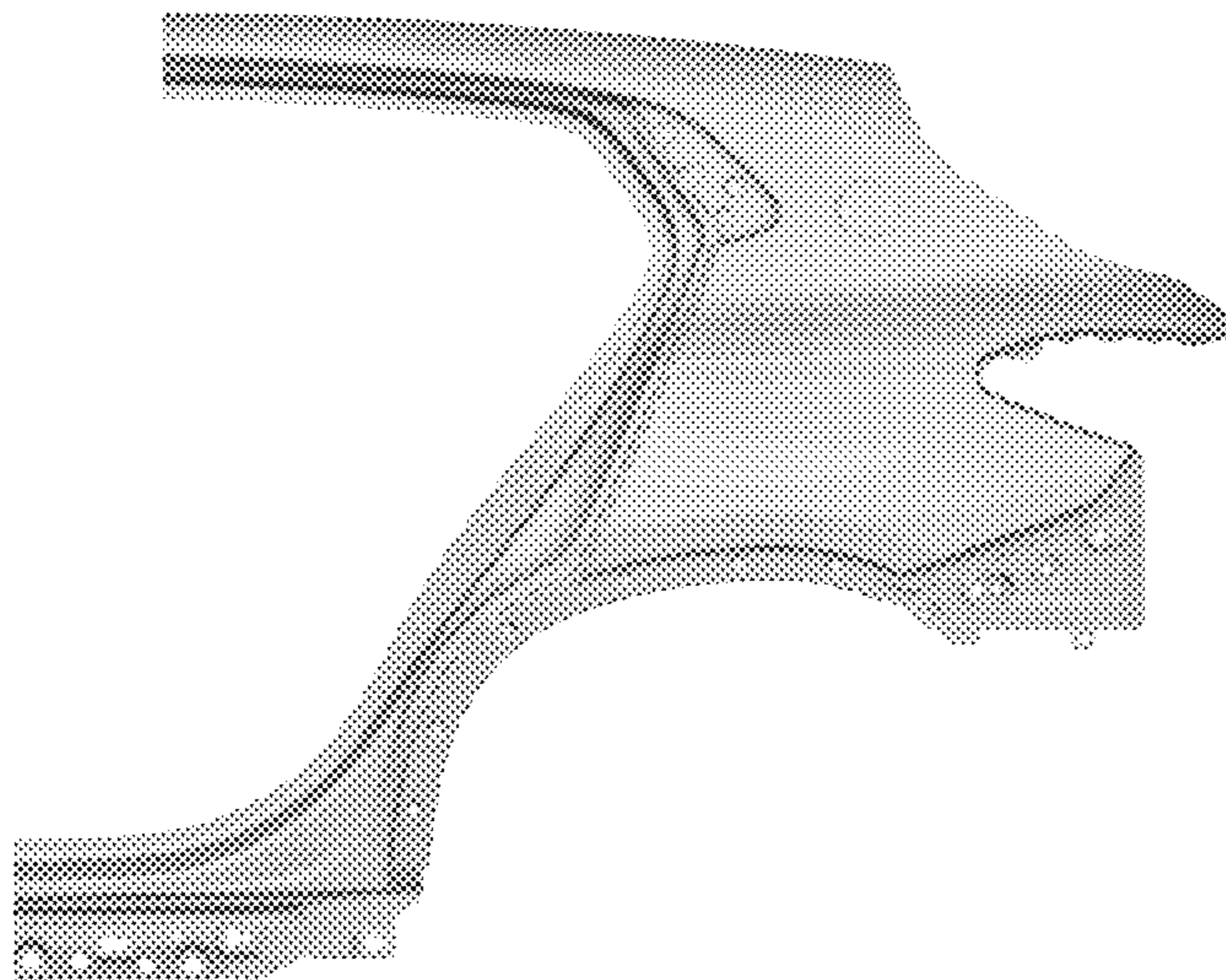
U.S. PATENT DOCUMENTS

D558,653 S * 1/2008 Leclercq D12/184
D620,413 S * 7/2010 Huet D12/184
D630,988 S * 1/2011 Schneider D12/196
D645,803 S * 9/2011 Kumai D12/181
D658,557 S * 5/2012 Hakamata D12/196
D660,215 S * 5/2012 Cartabiano D12/196
D671,470 S * 11/2012 Yamada D12/196
D695,662 S * 12/2013 Suga D12/196

DESCRIPTION

This application contains subject matter related to the following co-pending U.S. design patent application: Application Ser. No. 29/594,683, filed herewith and entitled "Vehicle, Toy, and/or Replicas Thereof".
FIG. 1 is a front view of a rear fender for a vehicle according to the design;
FIG. 2 is a left perspective view thereof;
FIG. 3 is a right perspective view thereof;
FIG. 4 is a left side view thereof;
FIG. 5 is a right side view thereof;
FIG. 6 is a top view thereof;
FIG. 7 is a bottom view thereof; and,
FIG. 8 is a rear view thereof.

1 Claim, 8 Drawing Sheets



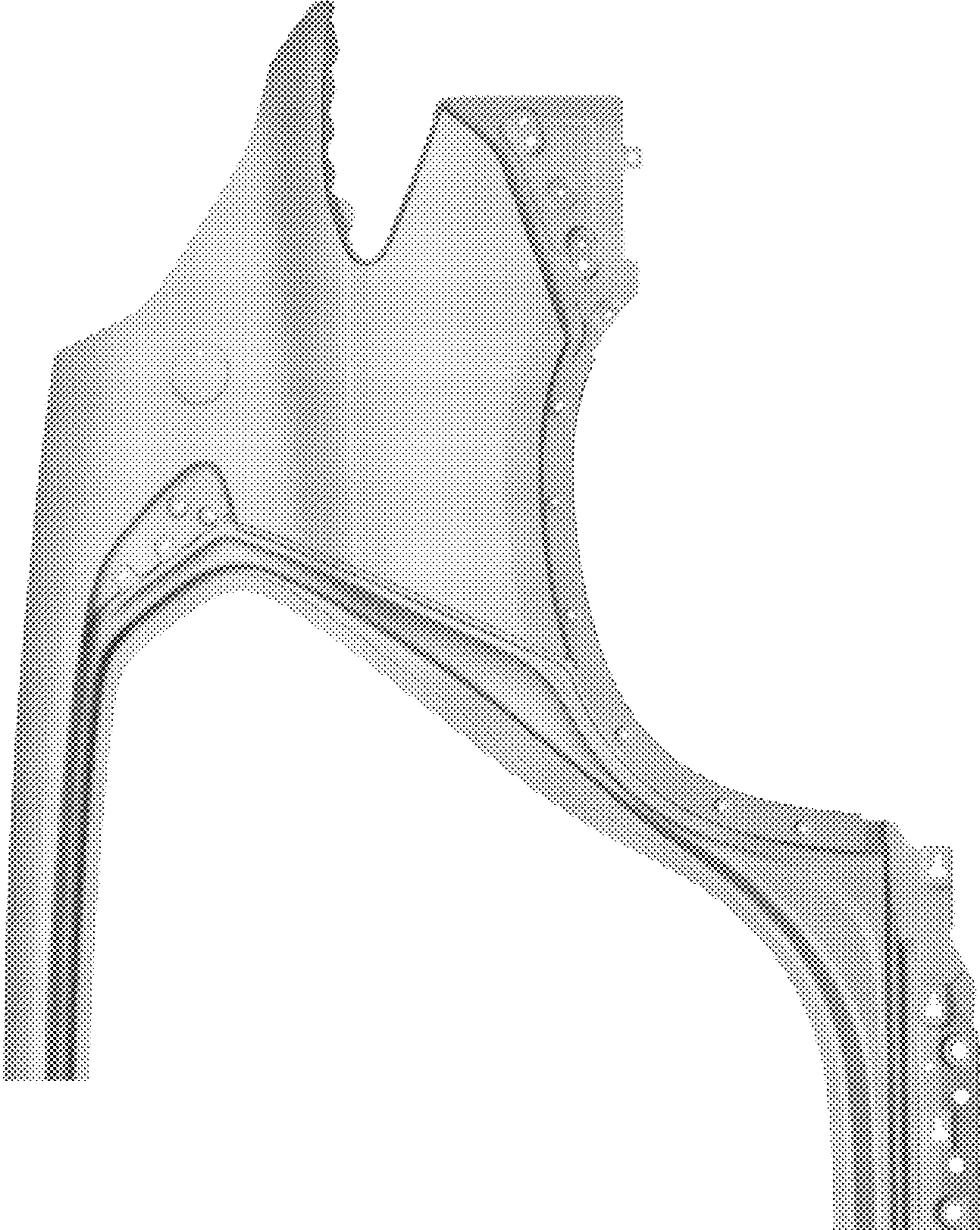


Fig. 1

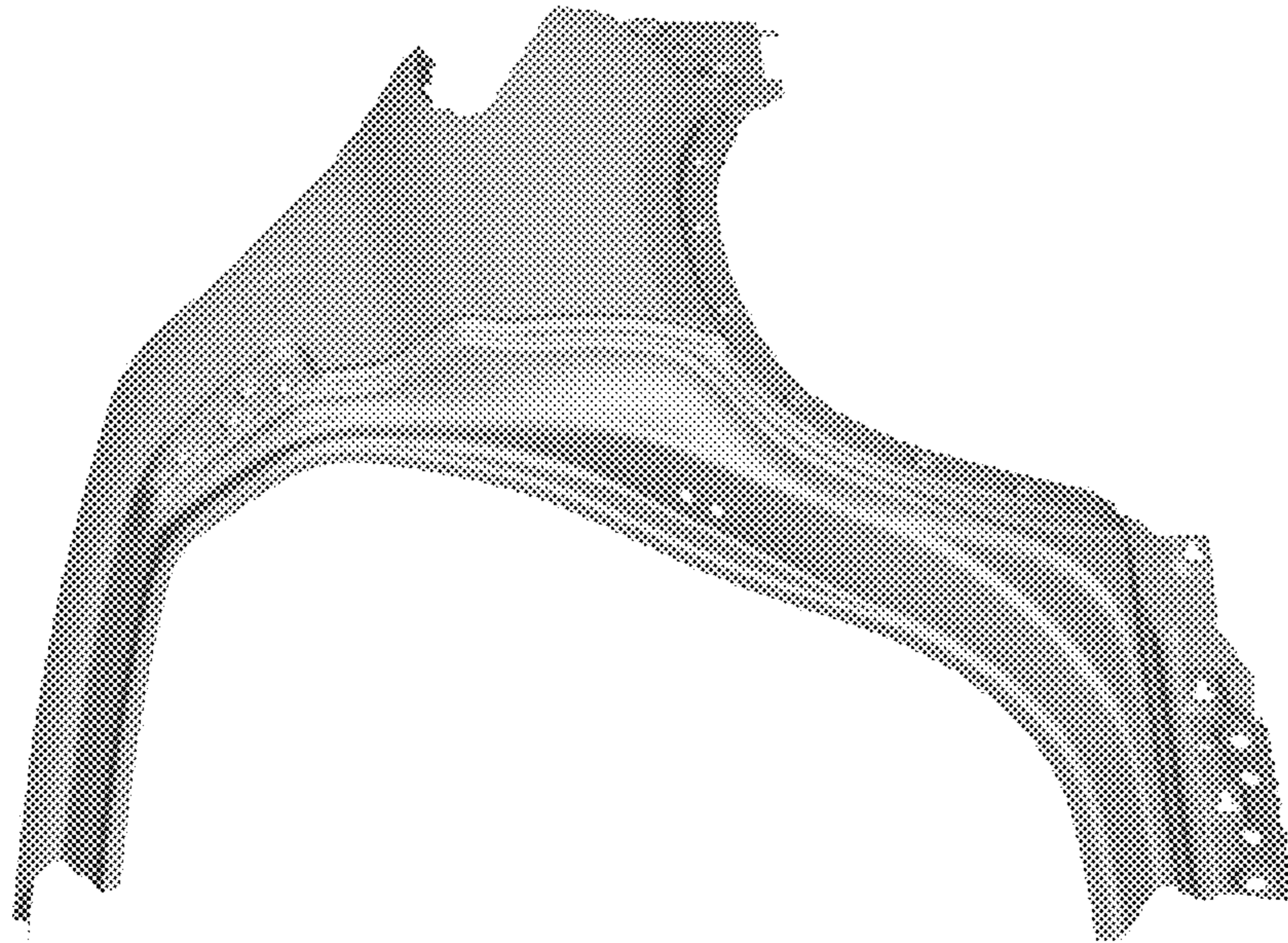


Fig. 2



Fig. 3

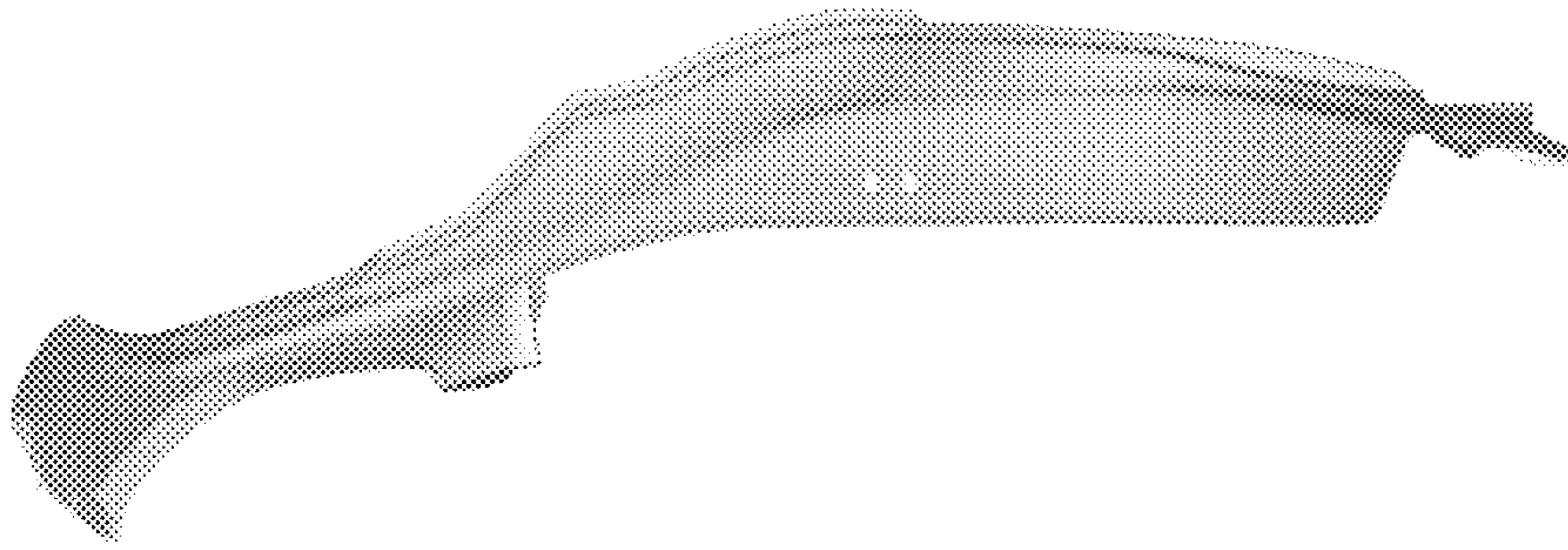


Fig. 4

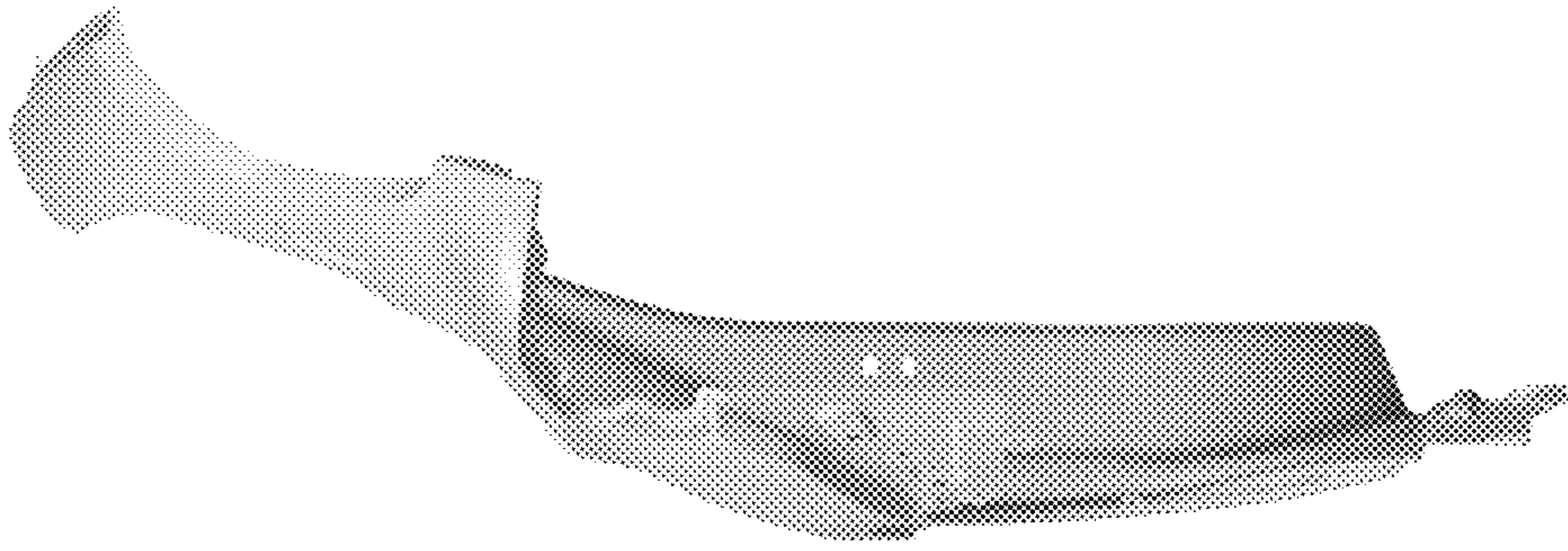


Fig. 5

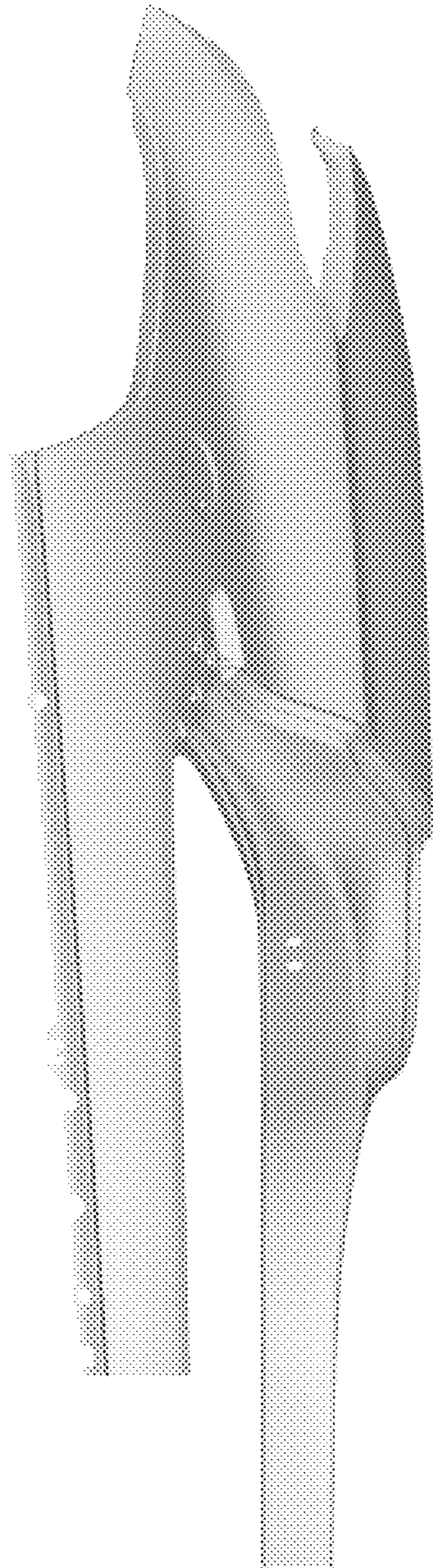


Fig. 6

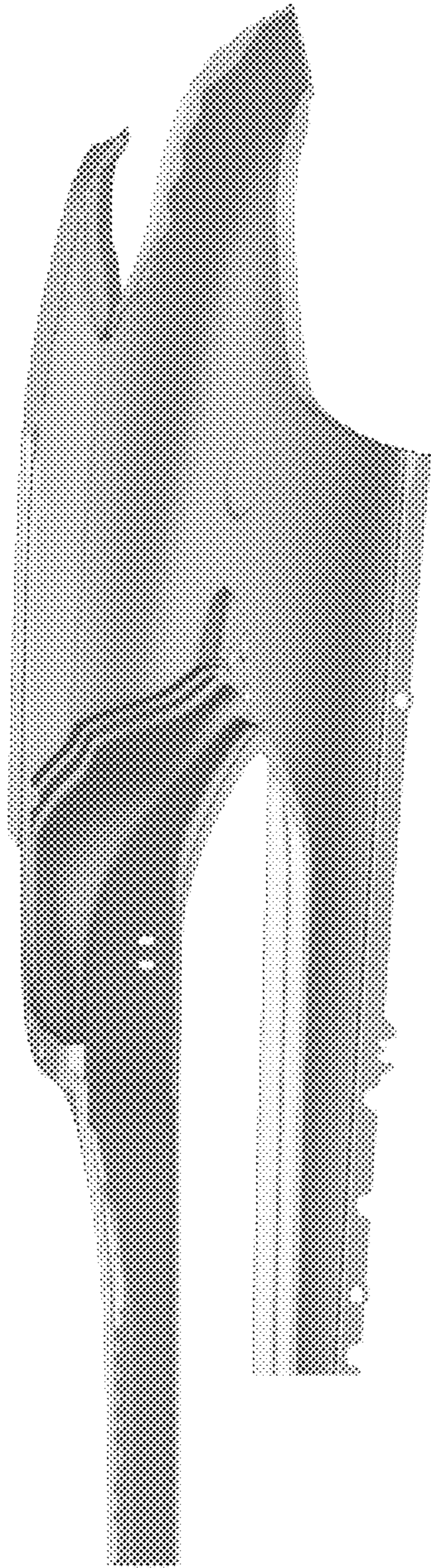


Fig. 7

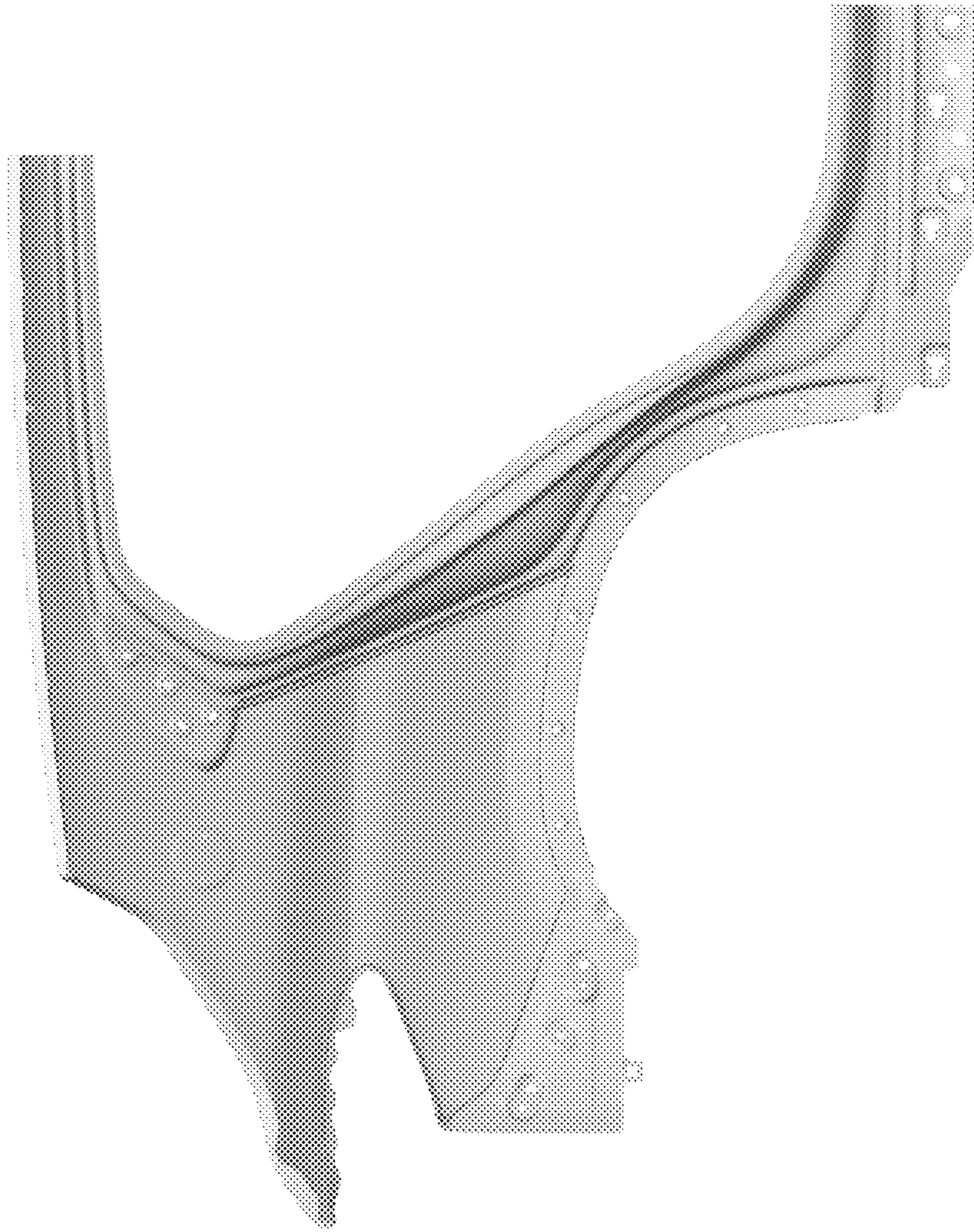


Fig. 8