

US00D826808S

(12) **United States Design Patent** (10) **Patent No.:** **US D826,808 S**
Thorpe (45) **Date of Patent:** **** Aug. 28, 2018**

(54) **BICYCLE HANDLEBAR WITH A FRONT FACING LIGHT**

(71) Applicant: **Richard Thorpe**, London (GB)

(72) Inventor: **Richard Thorpe**, London (GB)

(**) Term: **15 Years**

(21) Appl. No.: **29/565,077**

(22) Filed: **May 18, 2016**

(30) **Foreign Application Priority Data**

Nov. 19, 2015 (EM) 002871160-0001

(51) **LOC (11) Cl.** **12-11**

(52) **U.S. Cl.**
USPC **D12/178**

(58) **Field of Classification Search**
USPC D12/111, 114, 178; D8/303
CPC B62K 19/16; B62K 21/12; B62K 21/18;
B62K 21/125; B62K 23/06
See application file for complete search history.

(56) **References Cited**

U.S. PATENT DOCUMENTS

D273,775 S * 5/1984 Aker D12/114
5,269,196 A * 12/1993 Rafac B62K 21/12
280/281.1
D372,893 S * 8/1996 Harris D12/178
D419,123 S * 1/2000 Okuda D12/114

D425,463 S * 5/2000 Clarkson D12/178
D429,198 S * 8/2000 Sueiro D12/178
D448,331 S * 9/2001 Solberg D12/178
D499,055 S * 11/2004 Chiang D12/178
D654,411 S * 2/2012 Alt D12/178
D691,527 S * 10/2013 Thorpe D12/178
D738,276 S * 9/2015 Arbour D12/178
D777,625 S * 1/2017 Chang D12/178
2012/0239248 A1 * 9/2012 Bobbitt G08G 1/127
701/36

* cited by examiner

Primary Examiner — Darlington Ly

(74) *Attorney, Agent, or Firm* — Soroker Agmon Nordman

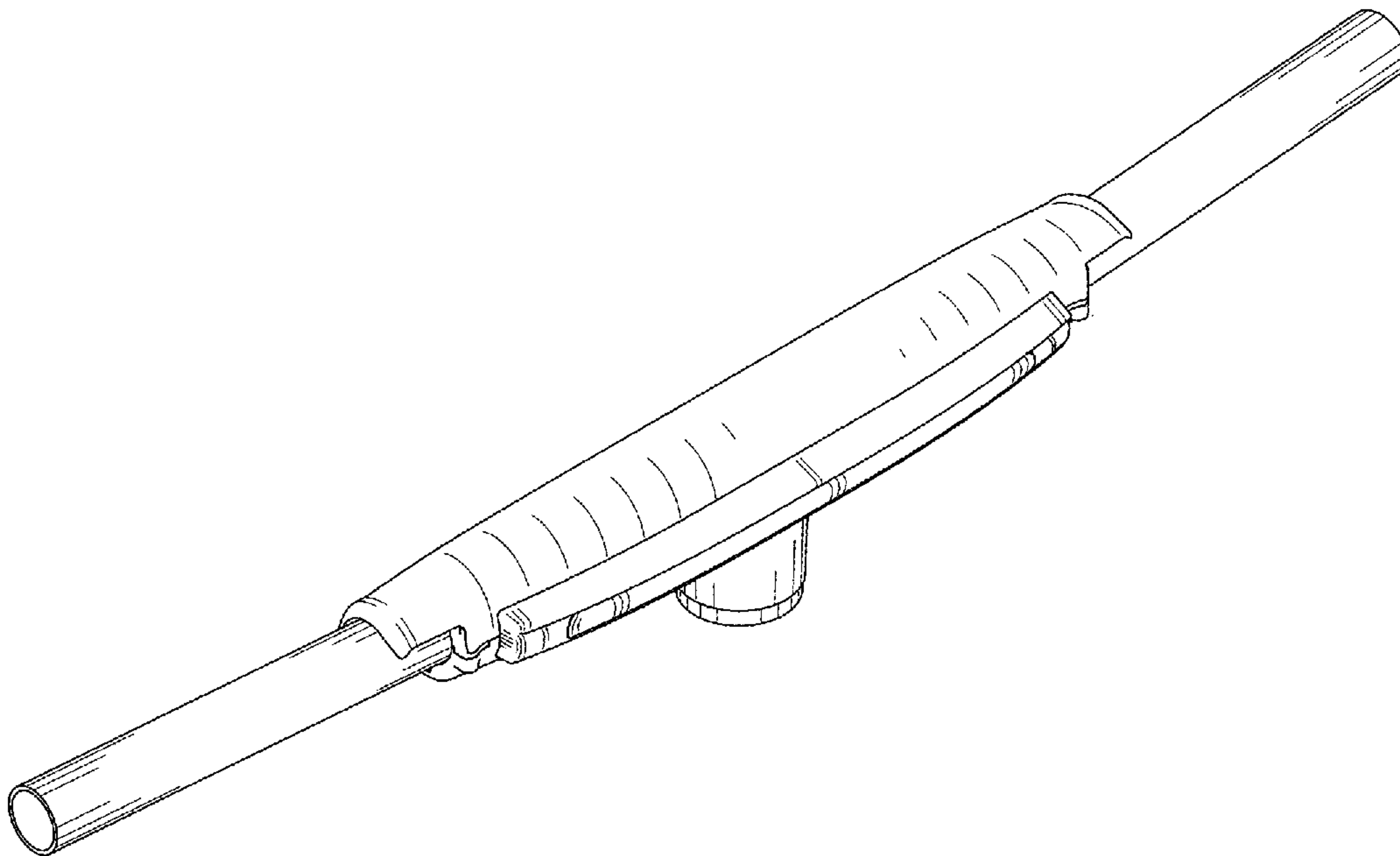
(57) **CLAIM**

The ornamental design for a bicycle handlebar with a front facing light, as shown and described.

DESCRIPTION

FIG. 1 is a bottom plan view of a bicycle handlebar with a front facing light showing my new design;
FIG. 2 is a rear elevation view thereof;
FIG. 3 is a right side elevation view thereof;
FIG. 4 is a left side elevation view thereof;
FIG. 5 is a perspective view thereof;
FIG. 6 is a top plan view thereof; and,
FIG. 7 is a front elevation view thereof.

1 Claim, 3 Drawing Sheets



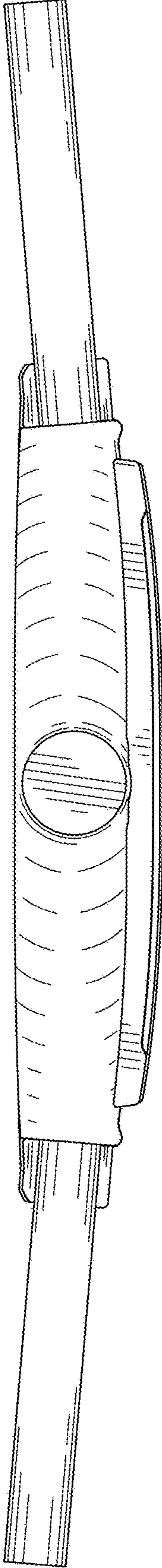


Fig. 1

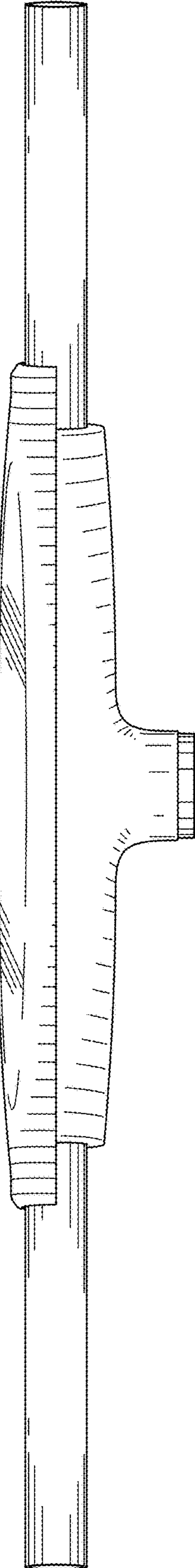


Fig. 2

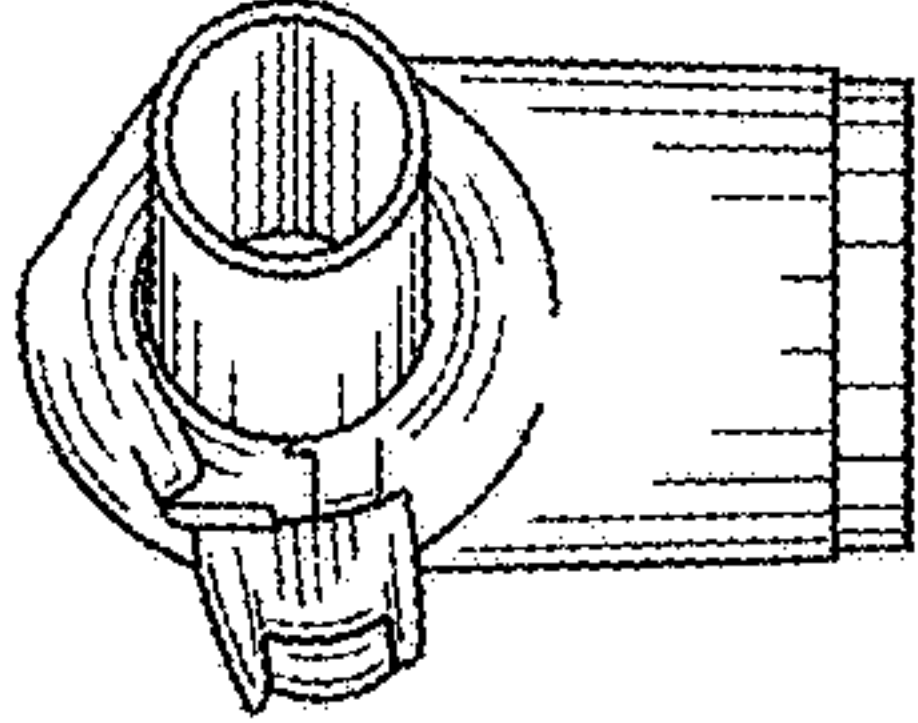


Fig. 3

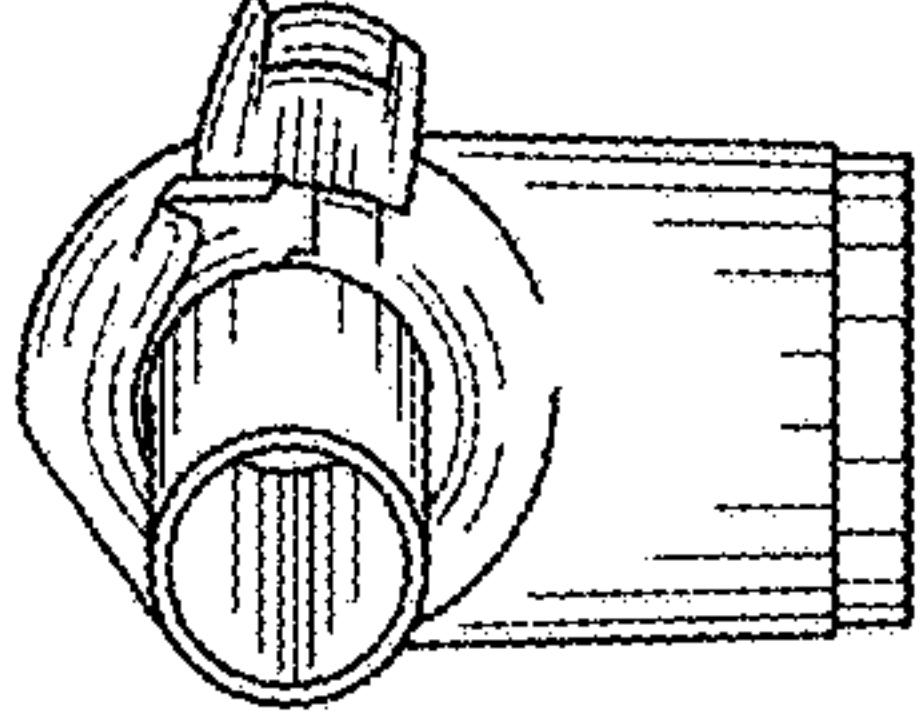


Fig. 4

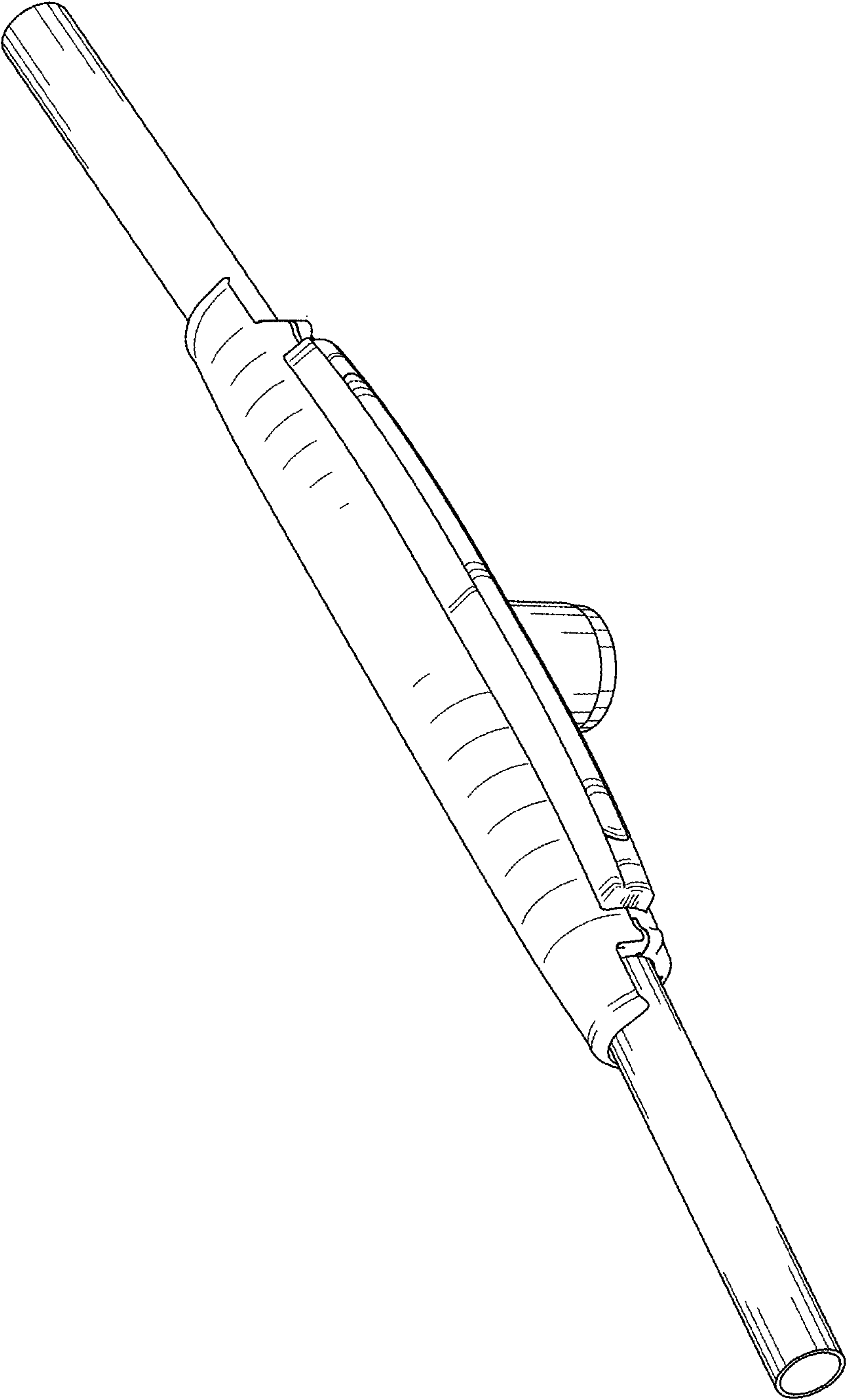


Fig. 5

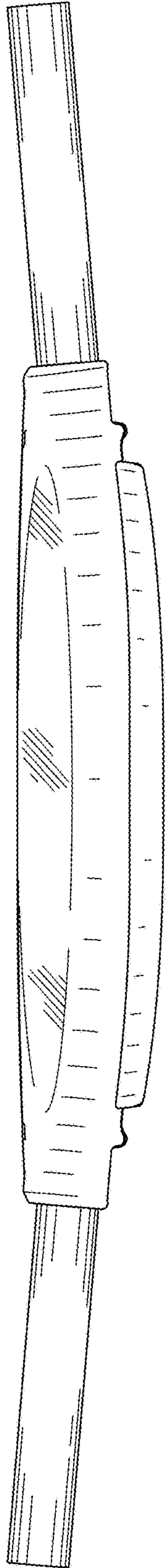


Fig. 6

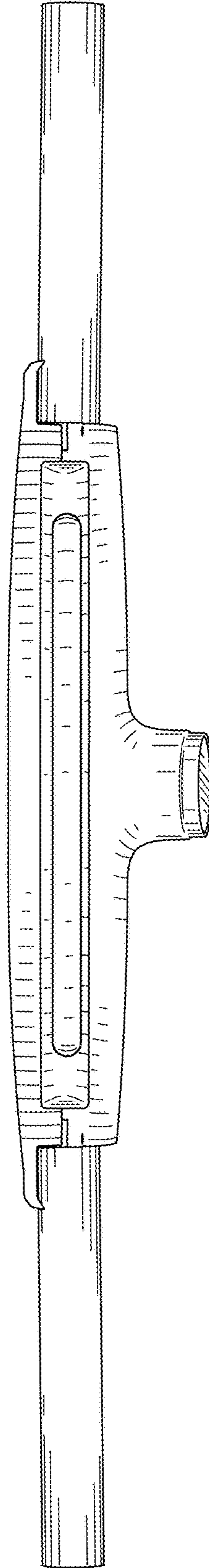


Fig. 7