



US00D826807S

(12) **United States Design Patent**
Arnone

(10) **Patent No.:** **US D826,807 S**

(45) **Date of Patent:** **** Aug. 28, 2018**

- (54) **STEERING WHEEL SPINNER KNOB**
- (71) Applicant: **James S. Arnone**, Williamsville, NY
(US)
- (72) Inventor: **James S. Arnone**, Williamsville, NY
(US)
- (**) Term: **15 Years**
- (21) Appl. No.: **29/530,421**
- (22) Filed: **Jun. 16, 2015**
- (51) **LOC (11) Cl.** **12-16**
- (52) **U.S. Cl.**
USPC **D12/177**
- (58) **Field of Classification Search**
USPC D12/177, 179, 175; D8/307; 74/552,
74/553, 557
CPC .. A61F 4/00; A63H 3/36; B62D 1/043; G05G
1/10; A47B 95/02
See application file for complete search history.

- 2,932,982 A * 4/1960 Enders B62D 1/043
24/278
- 3,554,052 A * 1/1971 Mross B62D 1/043
74/557
- 5,289,736 A * 3/1994 Fujimori B62D 1/043
74/552

(Continued)

Primary Examiner — Ian Simmons
Assistant Examiner — Yolanda Robinson
 (74) *Attorney, Agent, or Firm* — Vincent G. LoTempio;
 Kloss, Stenger & LoTempio; David T. Stephenson

(57) **CLAIM**

The ornamental design for a steering wheel spinner knob, as shown and described.

DESCRIPTION

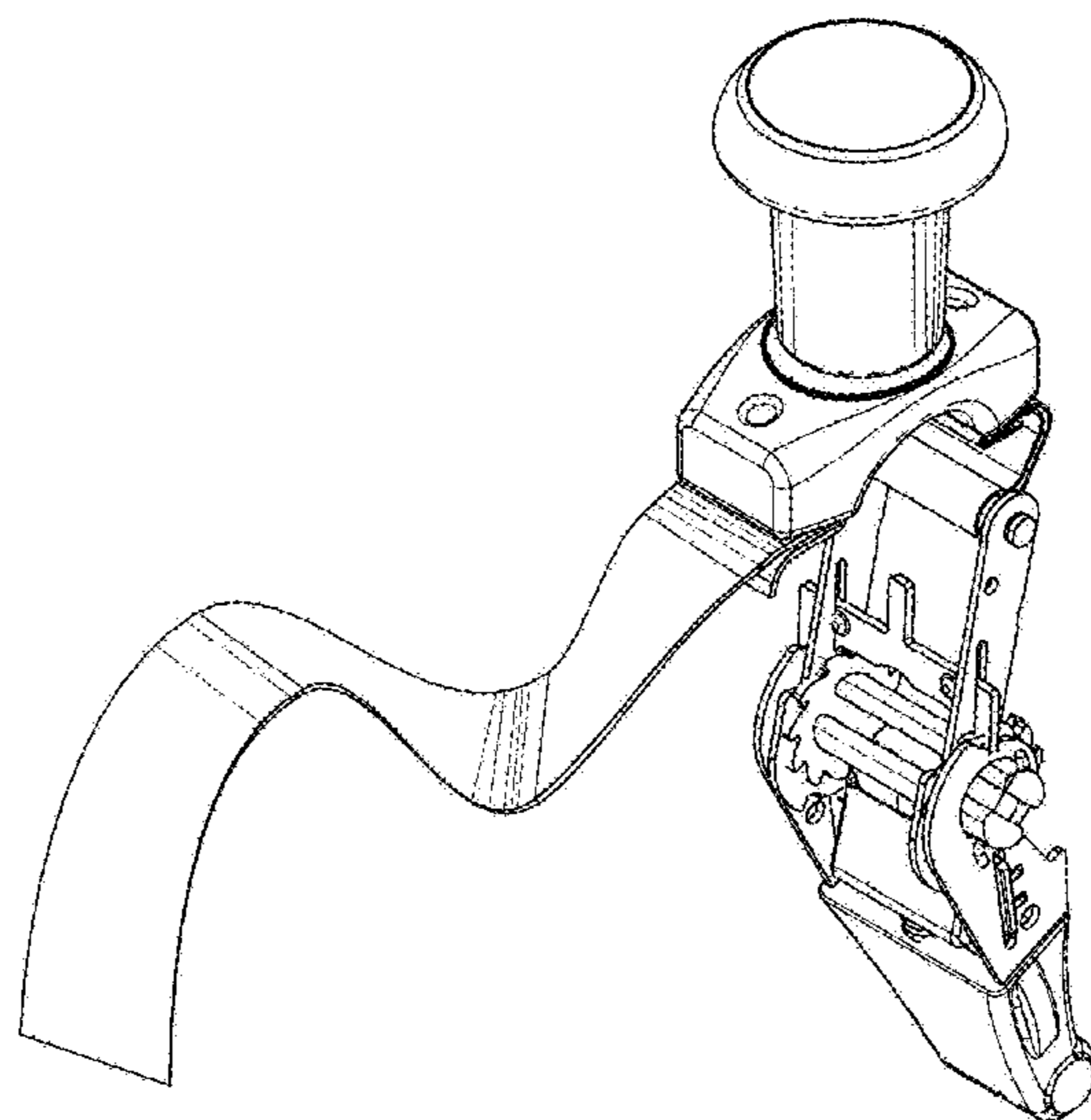
FIG. 1 is a perspective view of a steering wheel spinner knob showing my new design;
 FIG. 2 is a right side view thereof;
 FIG. 3 is a left side view thereof;
 FIG. 4 is a front view thereof;
 FIG. 5 is a back view thereof;
 FIG. 6 is a top plan view thereof;
 FIG. 7 is a bottom plan view thereof;
 FIG. 8 is a right side view thereof, shown in an alternate position in environmental use;
 FIG. 9 is a left side view thereof, shown in an alternate position in environmental use;
 FIG. 10 is a front view thereof, shown in an alternate position in environmental use;
 FIG. 11 is a back view thereof, shown in an alternate position in environmental use;
 FIG. 12 is a top plan view thereof, shown in an alternate position in environmental use; and,
 FIG. 13 is a bottom plan view thereof, shown in an alternate position in environmental use.
 The broken lines shown represent unclaimed subject matter and form no part of the claimed design.

(56) **References Cited**

U.S. PATENT DOCUMENTS

- 1,861,586 A * 6/1932 Shipley B62D 1/043
74/557
- 2,101,519 A * 12/1937 Thorp B62D 1/043
74/557
- 2,267,308 A * 12/1941 Russell B62D 1/043
74/557
- 2,432,262 A * 12/1947 Thorp B62D 1/043
74/557
- 2,441,061 A * 5/1948 Deer B62D 1/043
74/557
- 2,475,858 A * 7/1949 Riemann B62D 1/043
74/557
- 2,567,901 A * 9/1951 Wood B62D 1/043
74/557
- 2,579,165 A * 12/1951 Woodruff B62D 1/043
74/557

1 Claim, 13 Drawing Sheets



(56)

References Cited

U.S. PATENT DOCUMENTS

5,520,071 A * 5/1996 Jones B62D 1/043
74/557
6,161,449 A * 12/2000 Fujimori A61F 4/00
74/557
6,526,845 B2 * 3/2003 Moc B62D 1/043
74/553
7,263,911 B2 * 9/2007 Kindred B62D 1/043
74/552
D569,216 S * 5/2008 Muchin D12/179
D619,944 S * 7/2010 Shimizugami D12/179
D649,606 S * 11/2011 Markowitz D12/177
D771,468 S * 11/2016 Gallagher D8/307
2002/0007694 A1 * 1/2002 Moc B62D 1/043
74/557
2009/0013820 A1 * 1/2009 Merten B62D 1/043
74/558
2010/0139046 A1 * 6/2010 Daniels A47B 95/02
16/414
2011/0179901 A1 * 7/2011 Kladde A63H 3/36
74/557

* cited by examiner

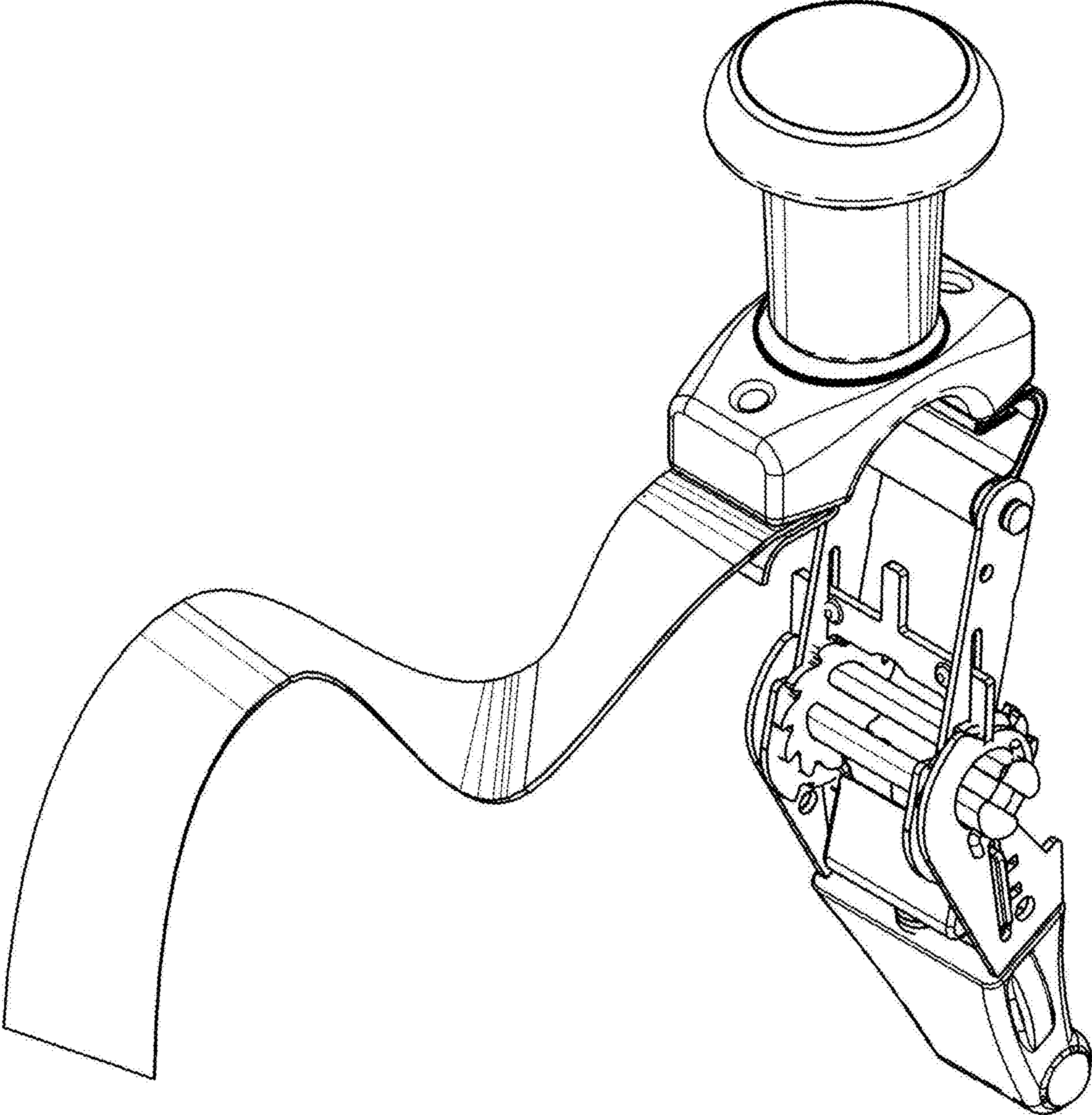


FIG. 1

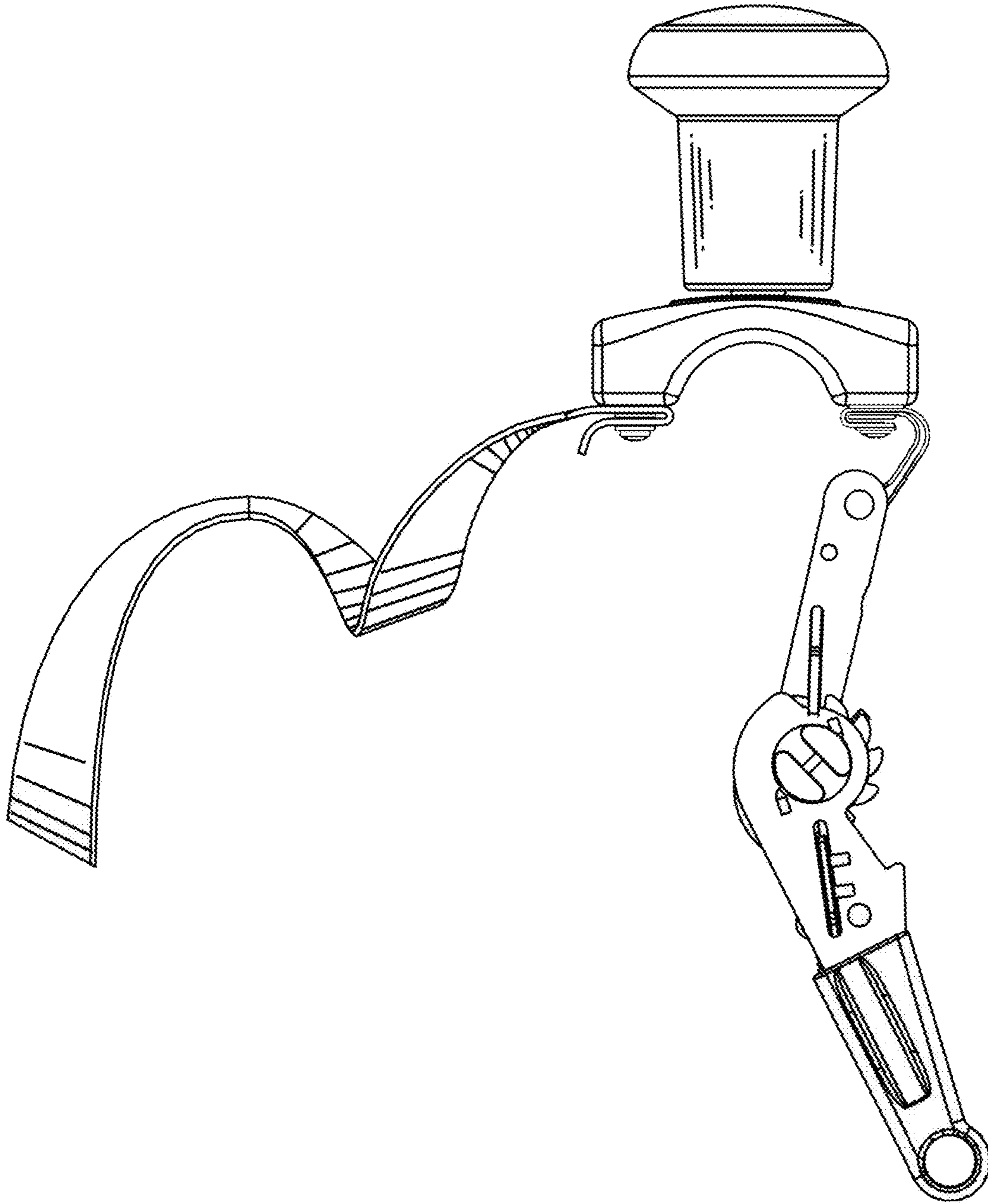


FIG. 2

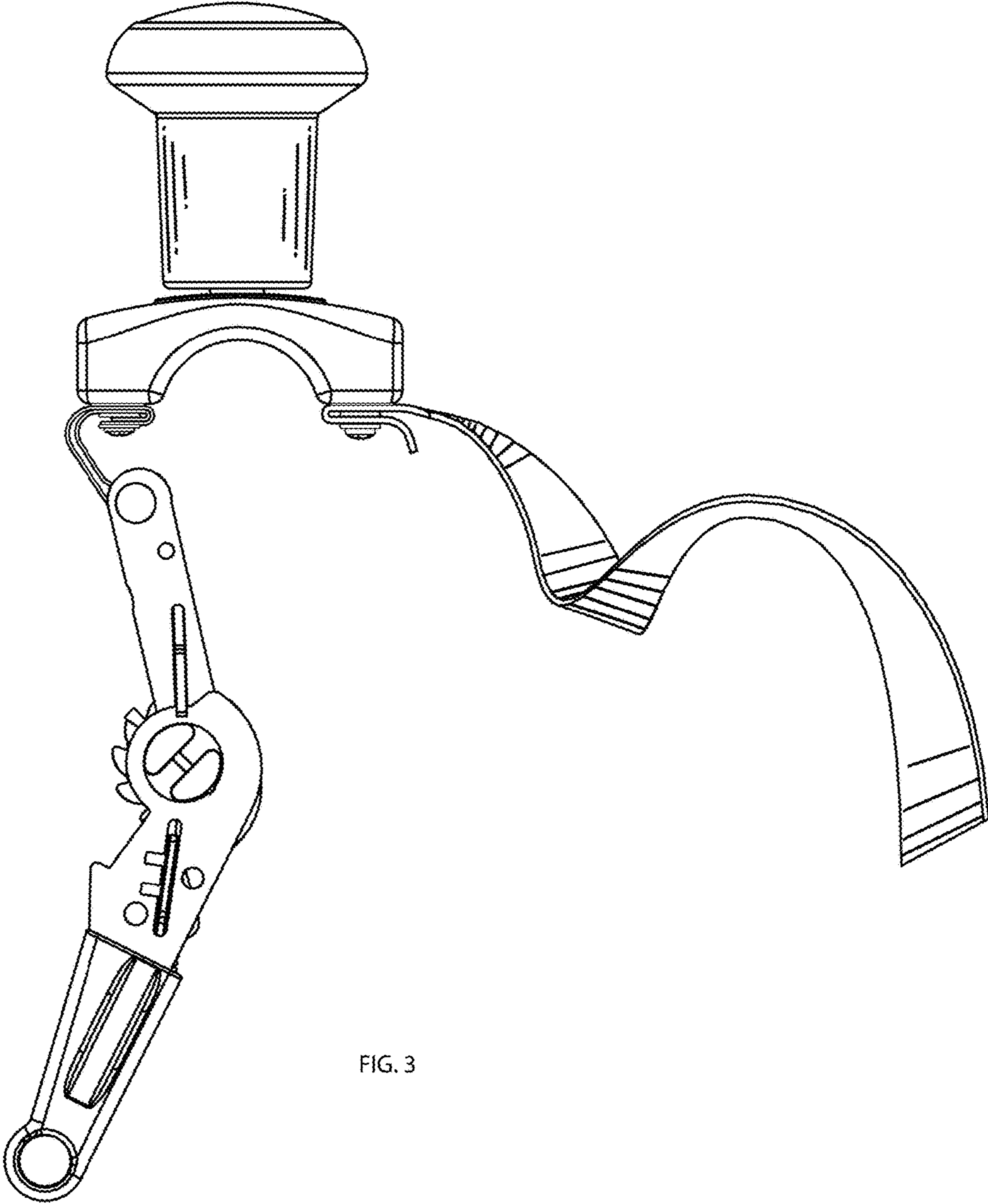


FIG. 3

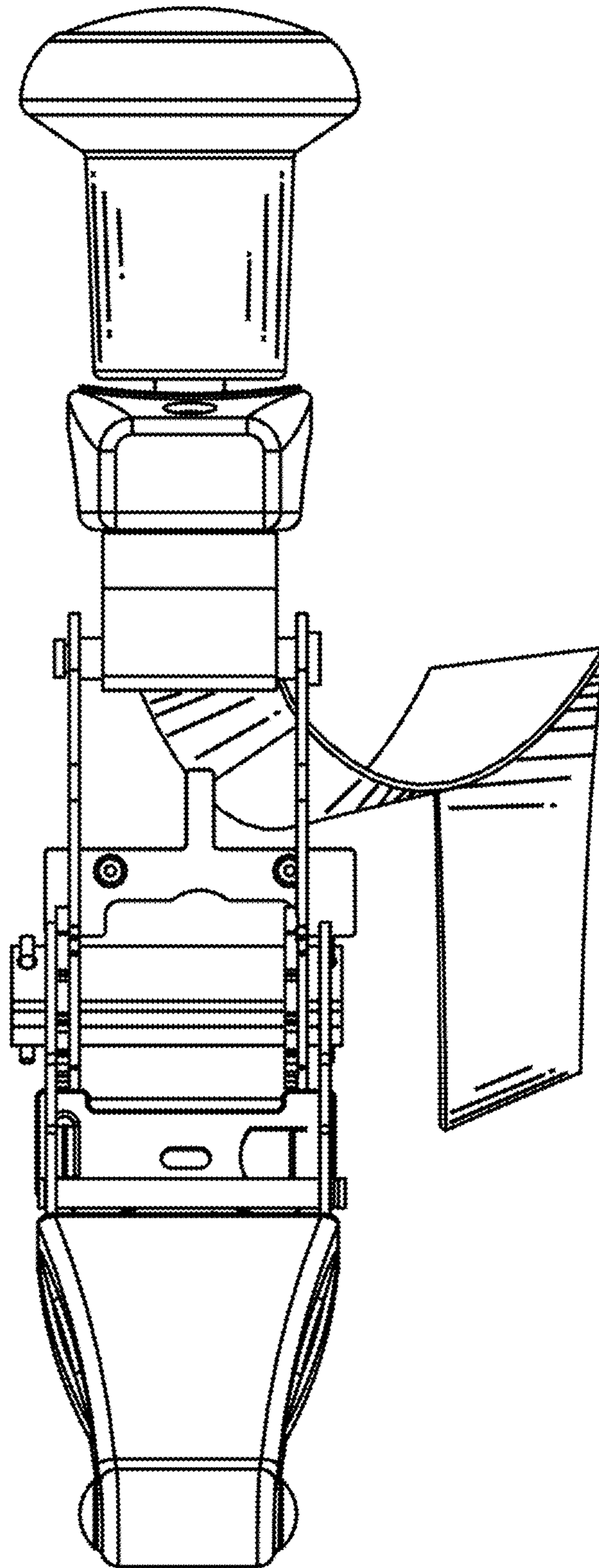


FIG. 4

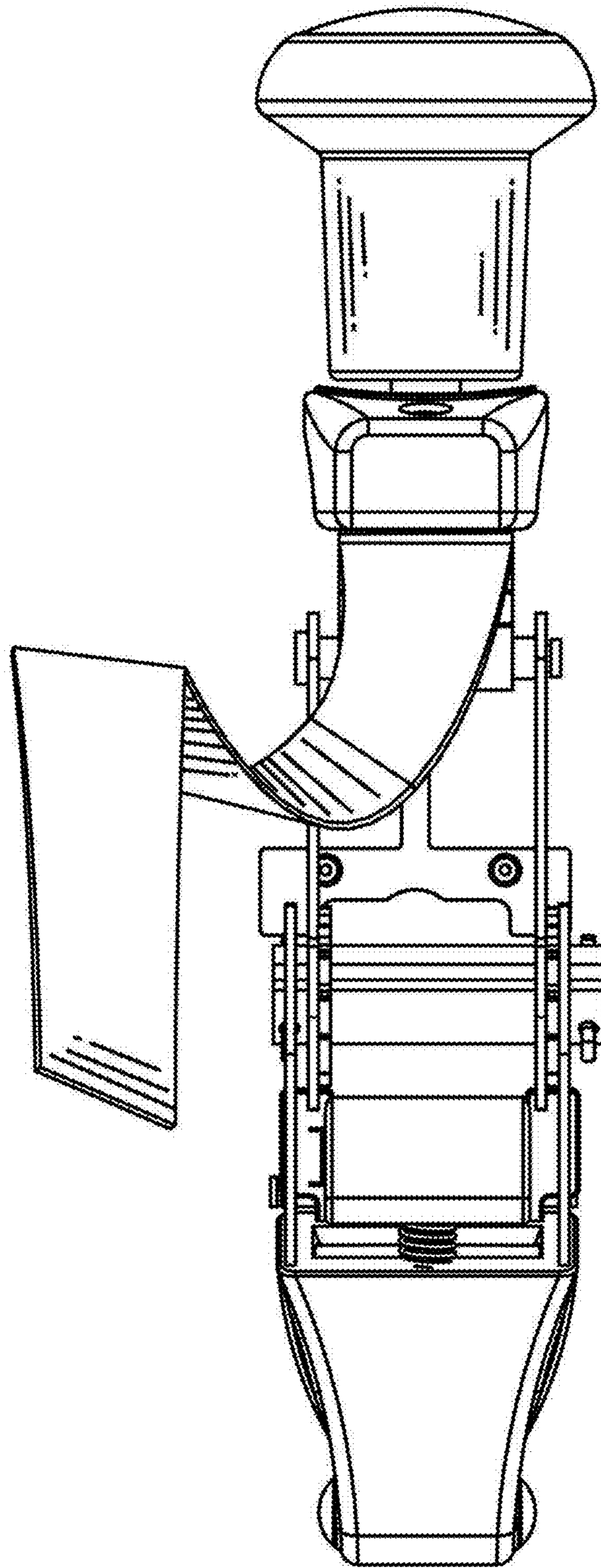


FIG. 5

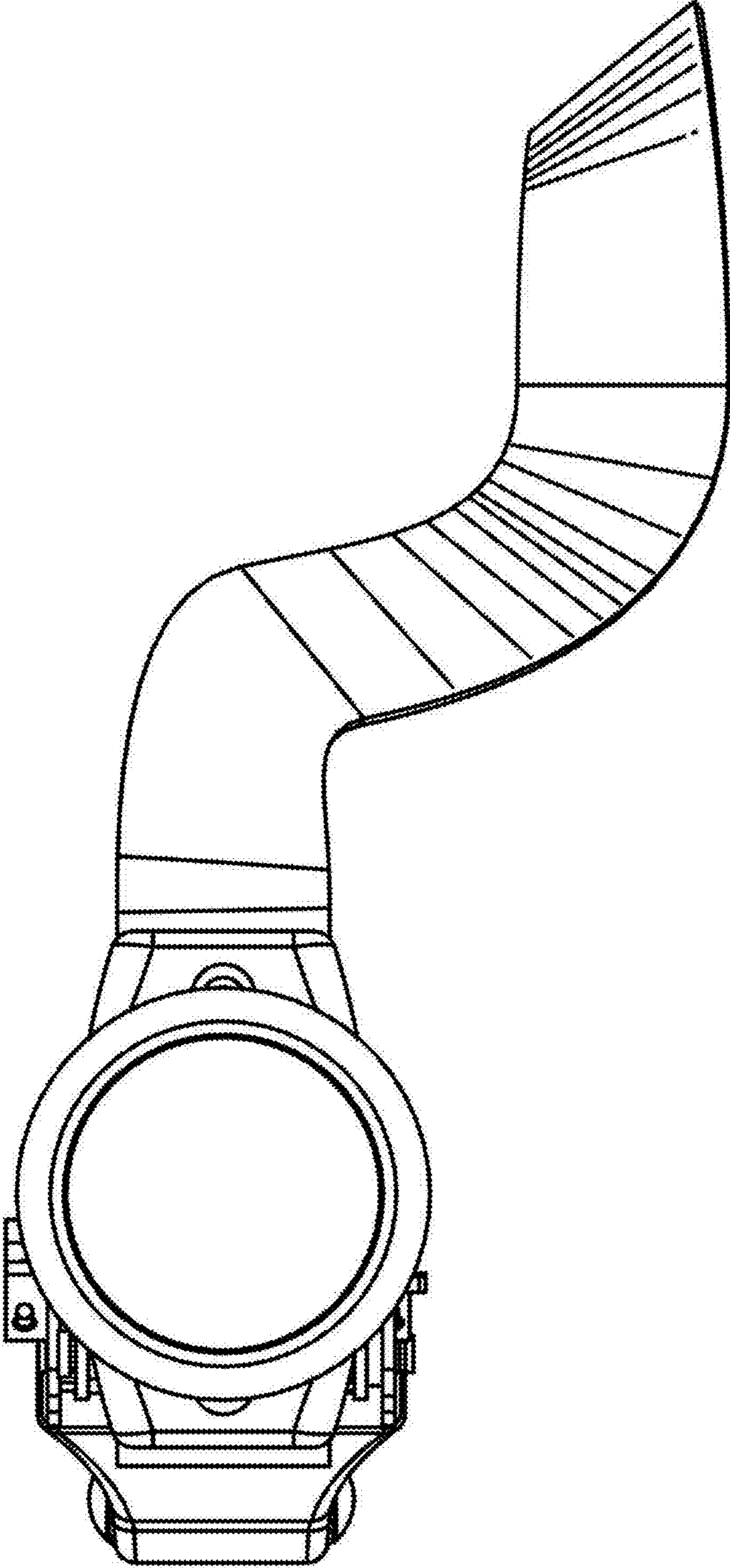


FIG. 6

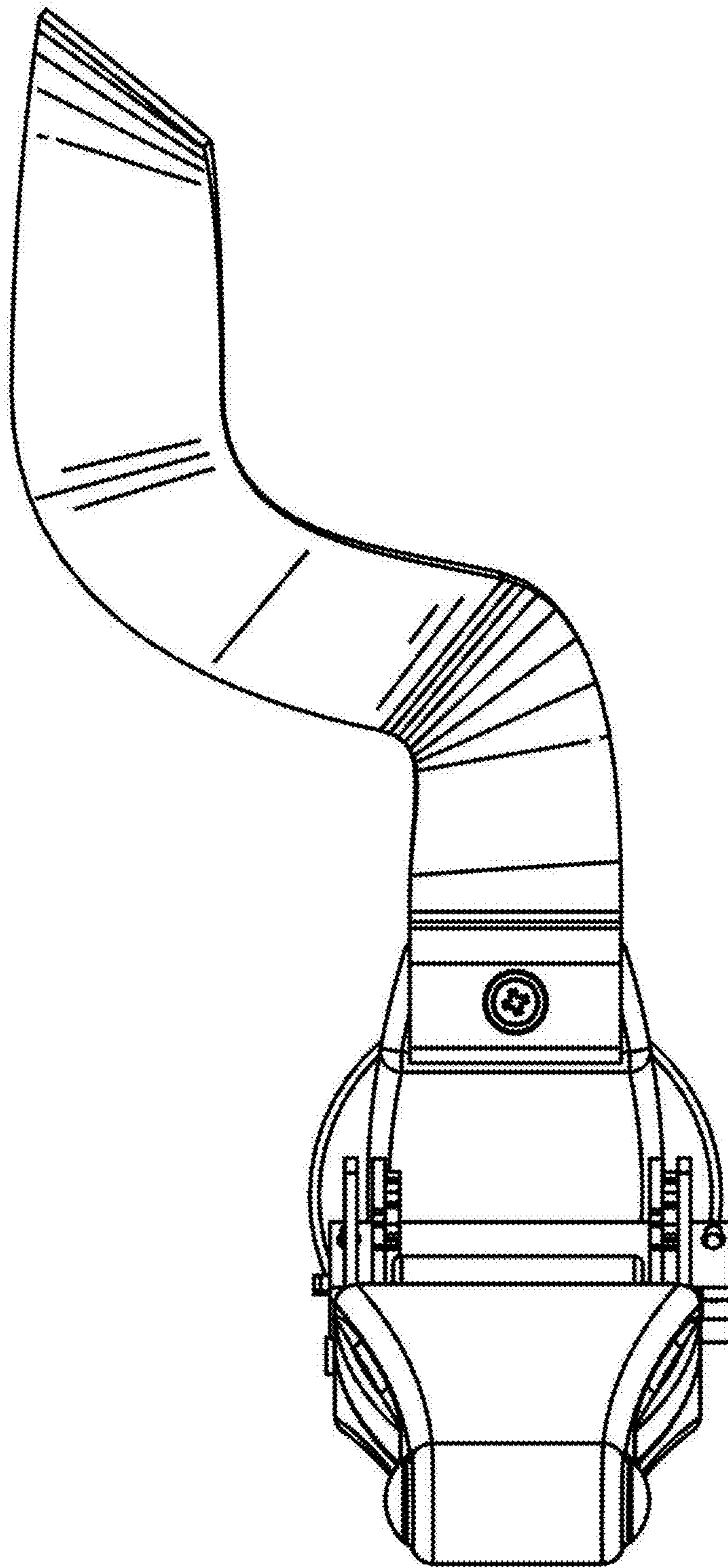


FIG. 7

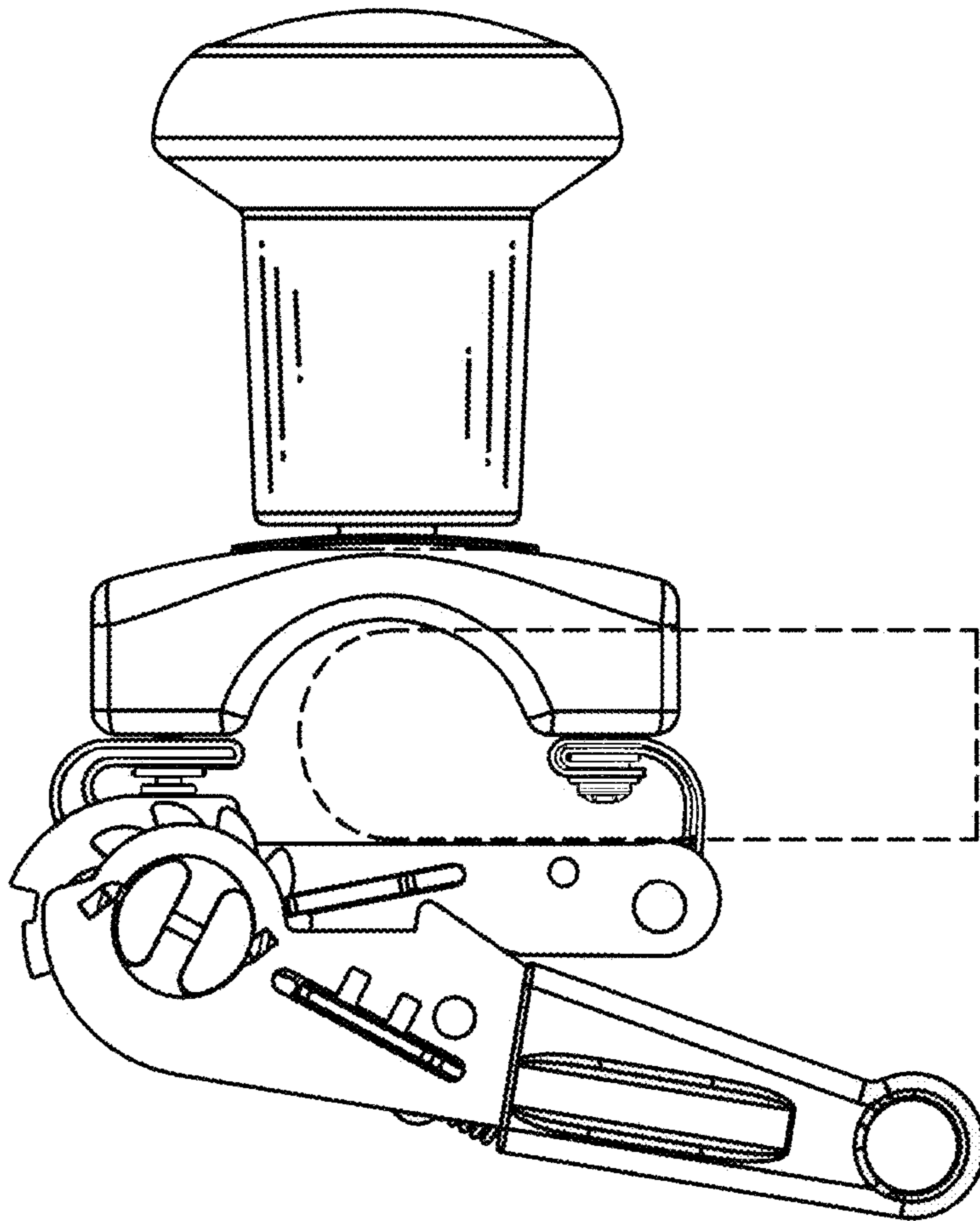


FIG. 8

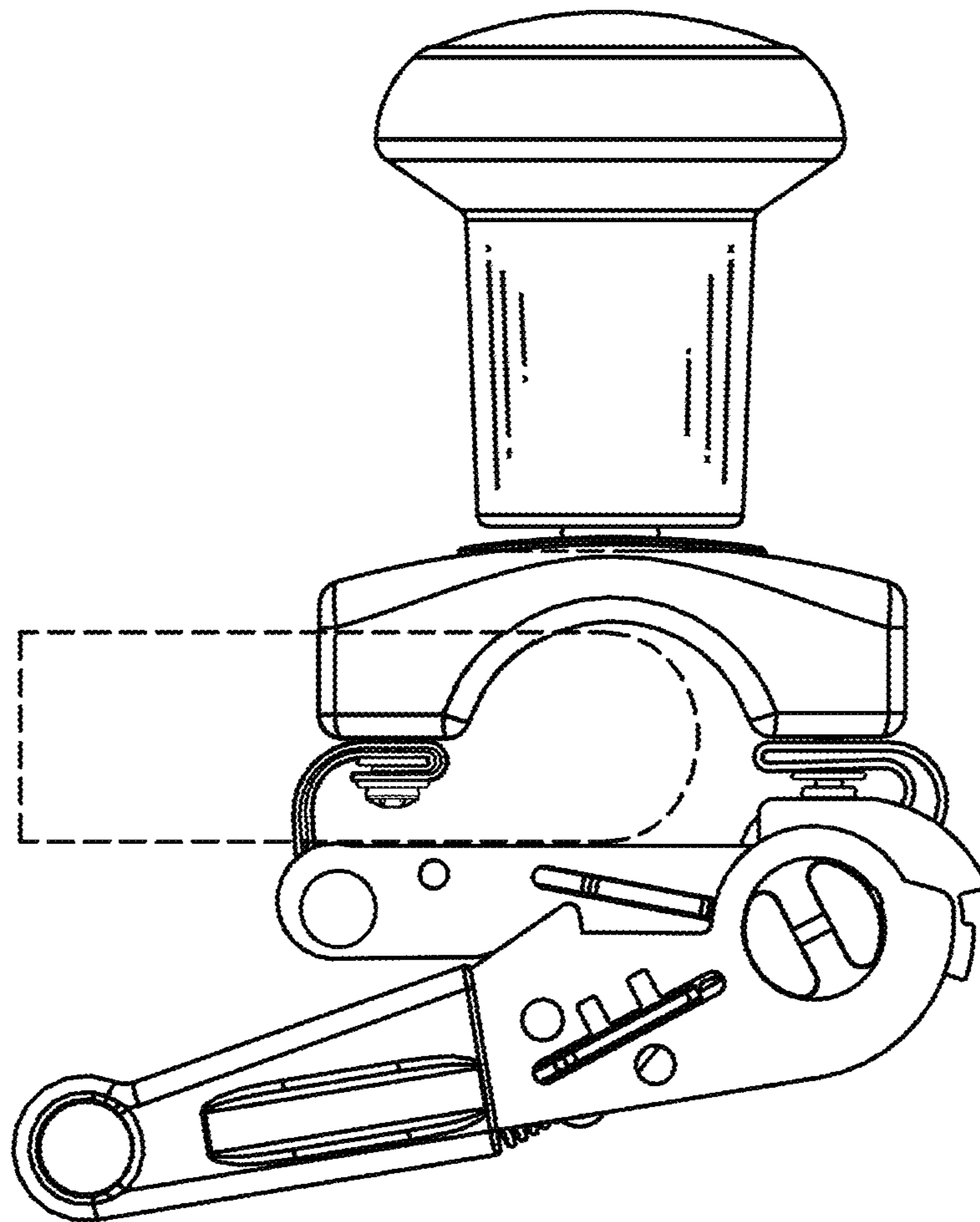


FIG. 9

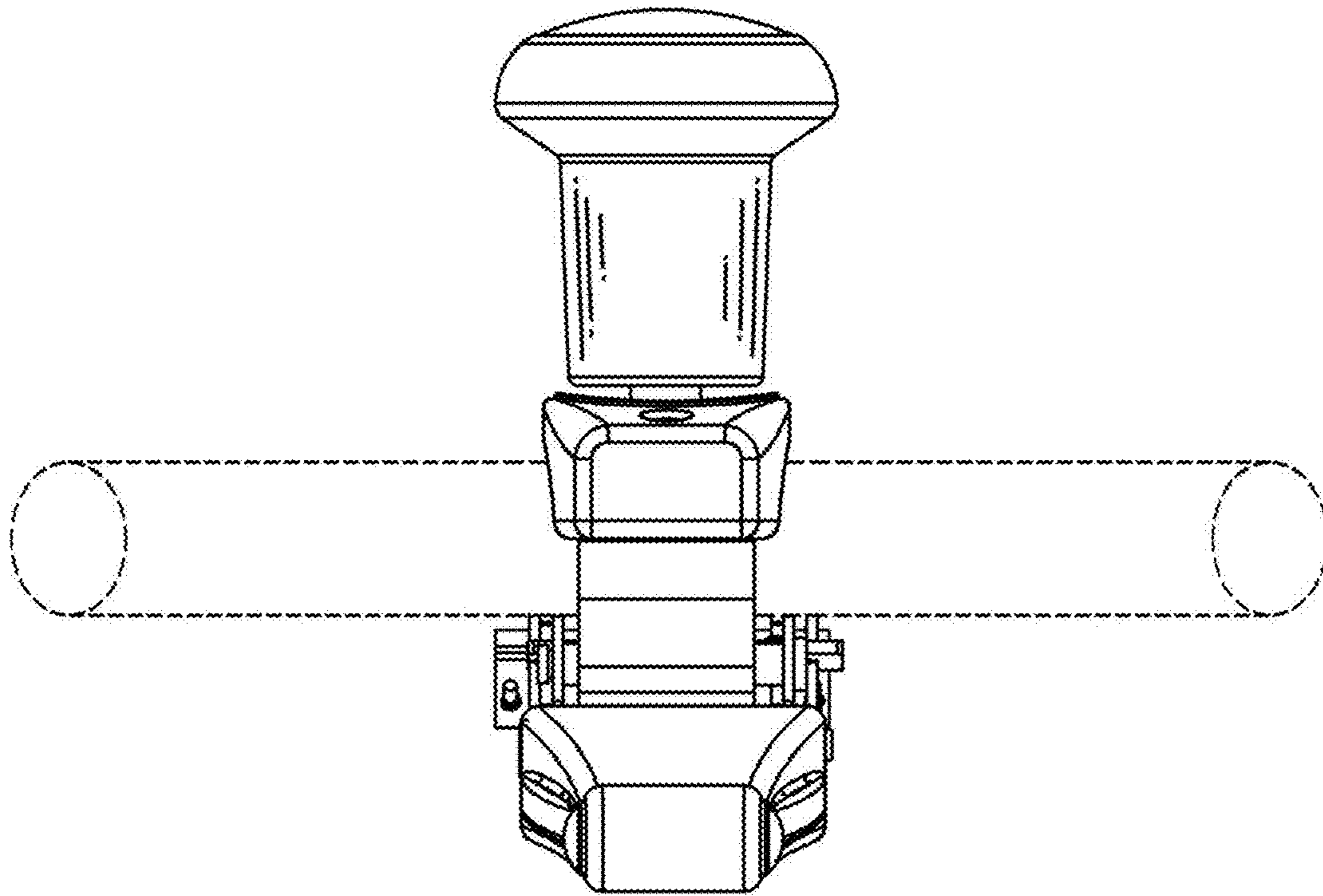


FIG. 10

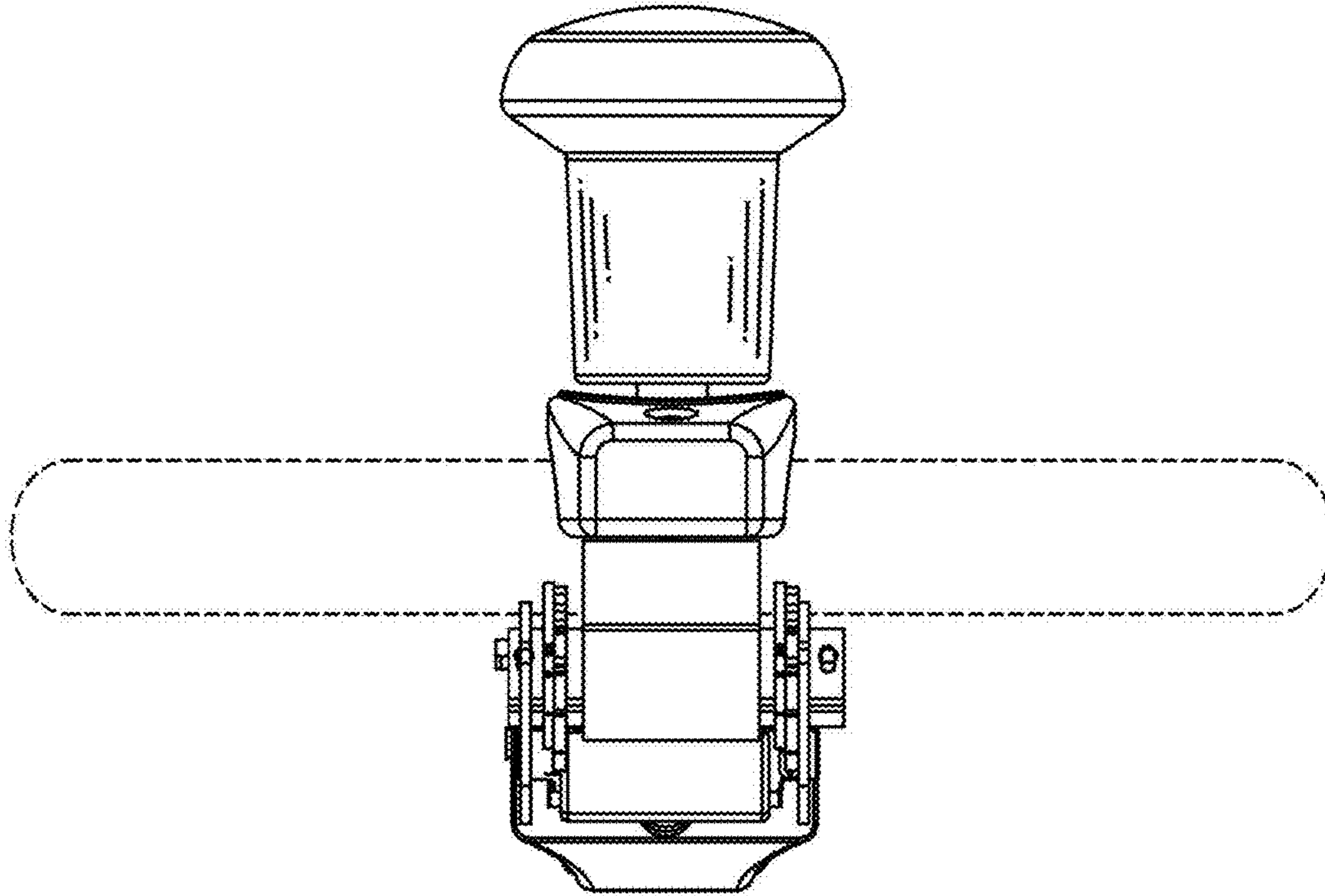


FIG. 11

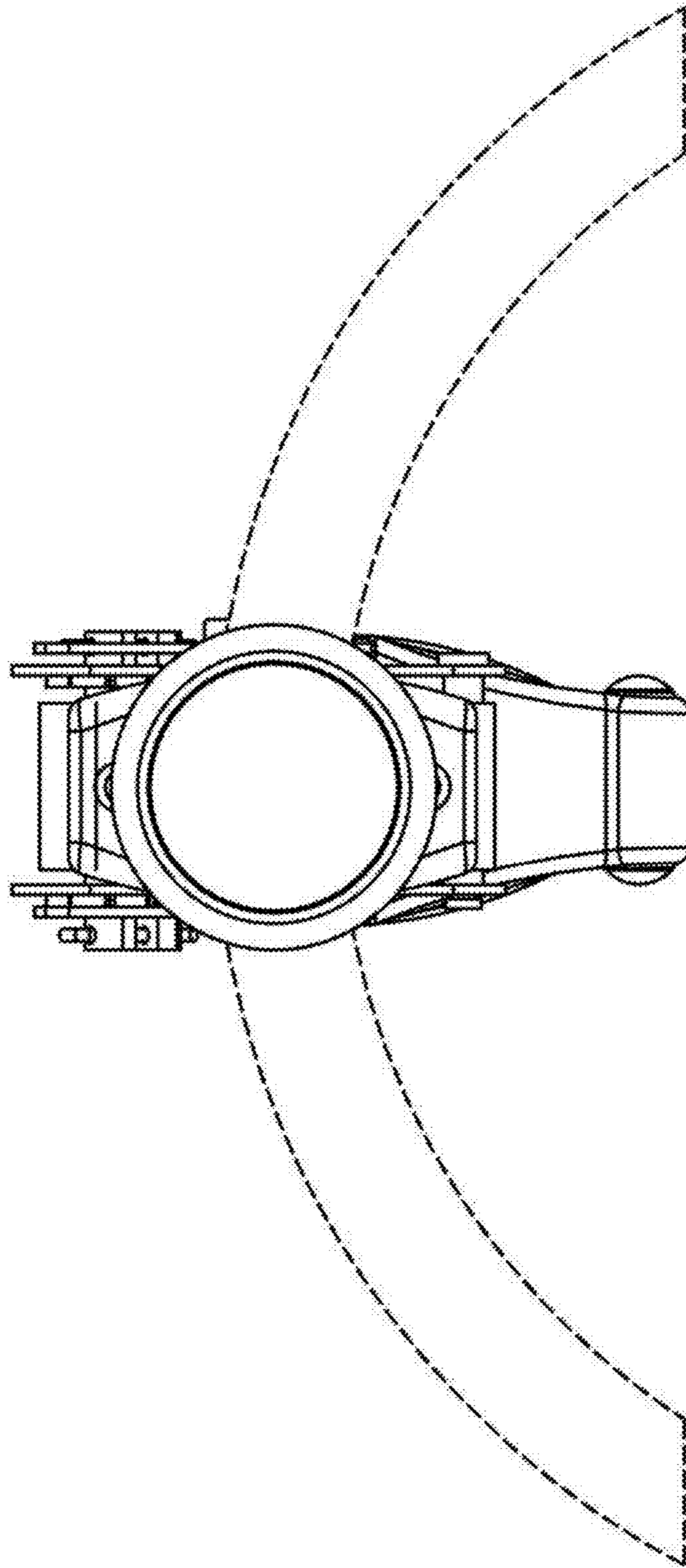


FIG. 12

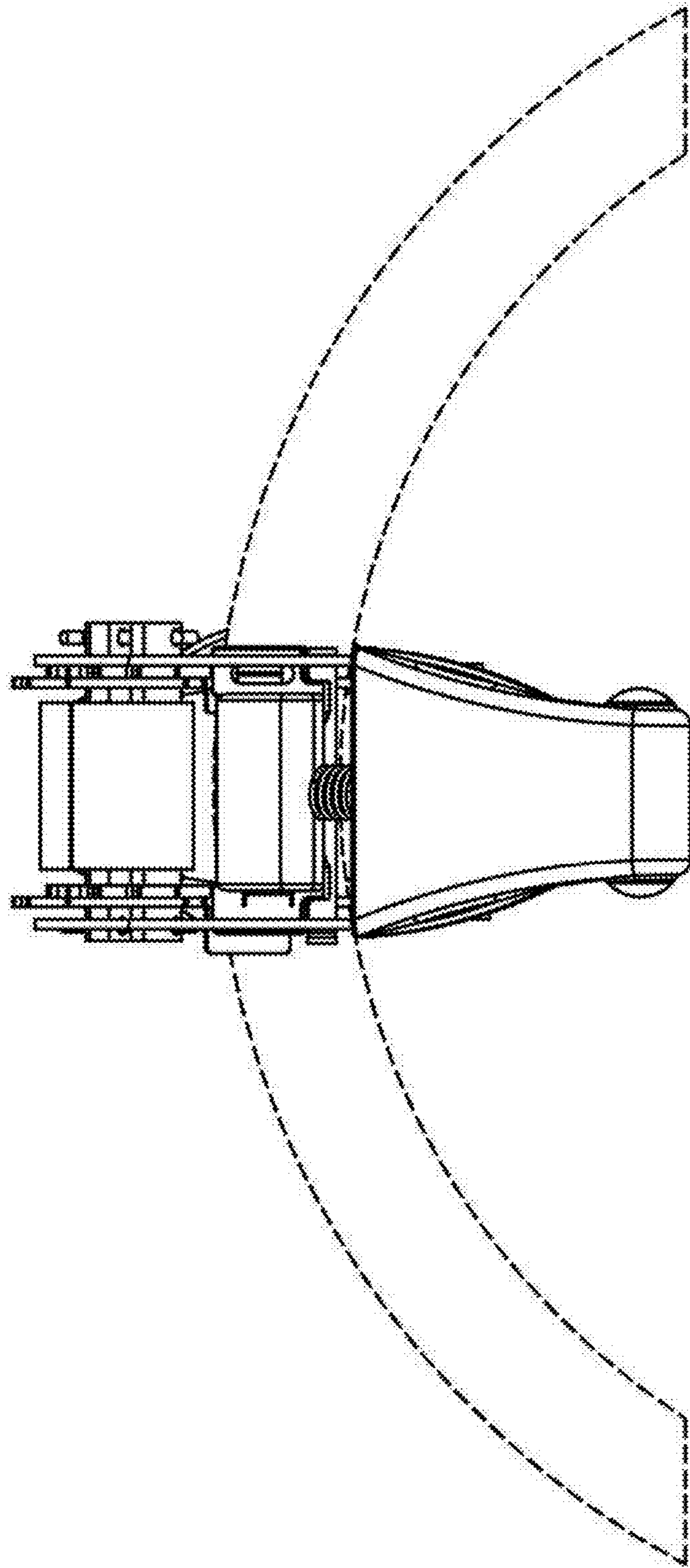


FIG. 13