



US00D826806S

(12) **United States Design Patent** (10) **Patent No.:** **US D826,806 S**
Nilsson (45) **Date of Patent:** **** Aug. 28, 2018**

(54) **STEERING ASSEMBLY WITH DISPLAY SCREEN**

(71) Applicant: **TOYOTA MATERIAL HANDLING MANUFACTURING SWEDEN AB, Mjölby (SE)**

(72) Inventor: **Mattias Nilsson, Mjölby (SE)**

(73) Assignee: **TOYOTA MATERIAL HANDLING MANUFACTURING SWEDEN AB, Mjölby (SE)**

(**) Term: **15 Years**

(21) Appl. No.: **29/584,928**

(22) Filed: **Nov. 18, 2016**

(30) **Foreign Application Priority Data**

May 19, 2016 (EM) 003141746-0002

(51) **LOC (11) Cl.** **12-16**

(52) **U.S. Cl.**
USPC **D12/176**

(58) **Field of Classification Search**
USPC D12/221, 400, 401, 412, 317, 406, 414, D12/175, 176, 177, 197, 199, 201, 202, D12/204, 212; D14/214, 204, 210, 215, D14/216, 250, 16, 23, 28, 34, 35, 38, 21, D14/22, 24
CPC . B62D 1/06; B62D 1/046; B62D 1/10; B60K 35/00; B60K 37/02; B60K 37/06; G06F 3/0416; G06F 3/0488; G06F 3/0482
See application file for complete search history.

(56) **References Cited**

U.S. PATENT DOCUMENTS

D147,608 S * 10/1947 Benzel 74/552
2,686,455 A * 8/1954 Porsche B60K 37/02
116/56

D433,077 S * 10/2000 Yamazaki D21/385
6,193,267 B1 * 2/2001 Tichvon B60R 21/203
280/728.2
D497,857 S * 11/2004 Namgoong D12/176
D510,896 S * 10/2005 Hoelzel D12/175
D569,773 S * 5/2008 Niebuhr D12/177
D743,859 S * 11/2015 Gong D12/176
D769,781 S * 10/2016 Allison D12/175
D785,637 S * 5/2017 Hennings D14/250
2003/0078714 A1 * 4/2003 Kitano B60K 37/06
701/41
2016/0159386 A1 * 6/2016 Jang B62D 1/046
74/552
2016/0375924 A1 * 12/2016 Bodtker B62D 1/046
74/552

* cited by examiner

Primary Examiner — Karen S Acker

Assistant Examiner — Jerry Shiuan-Hua Hsu

(74) *Attorney, Agent, or Firm* — Knobbe, Martens, Olson & Bear, LLP

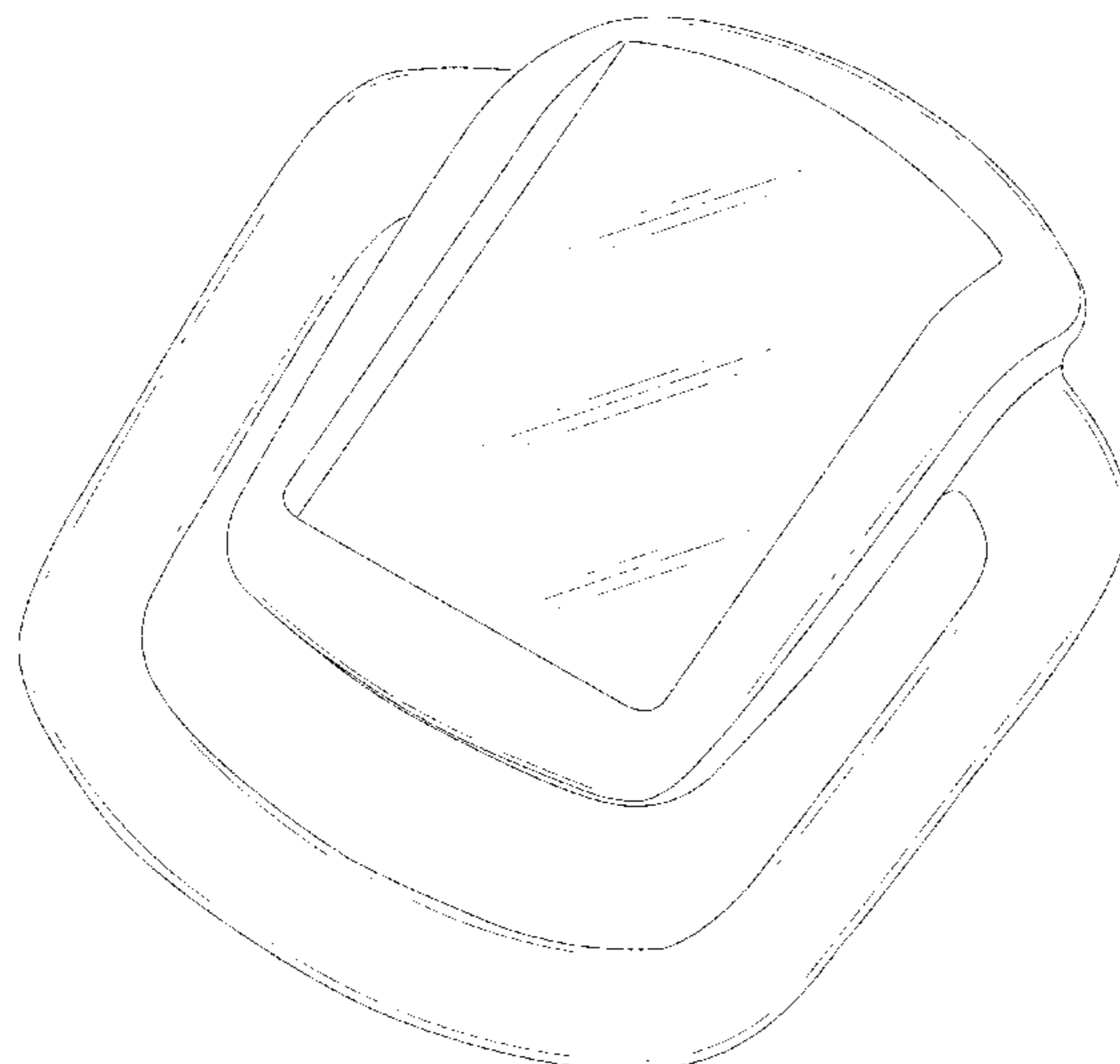
(57) **CLAIM**

The ornamental design for a steering assembly with display screen, as shown, and described.

DESCRIPTION

FIG. 1 is front perspective view of a steering assembly with display screen, showing my new design.
FIG. 2 is a left side elevational view thereof.
FIG. 3 is a right side elevational view thereof.
FIG. 4 is a front elevational view thereof.
FIG. 5 is a rear elevational view thereof.
FIG. 6 is a top plan view thereof; and,
FIG. 7 is a bottom plan view thereof.
The broken dot-dash lines in FIGS. 5 and 7 indicate a boundary of the claim that forms no part of the claimed design. The evenly-dashed broken line in FIG. 5 depict portions of the steering assembly with display screen which form no part of the claimed design.

1 Claim, 5 Drawing Sheets



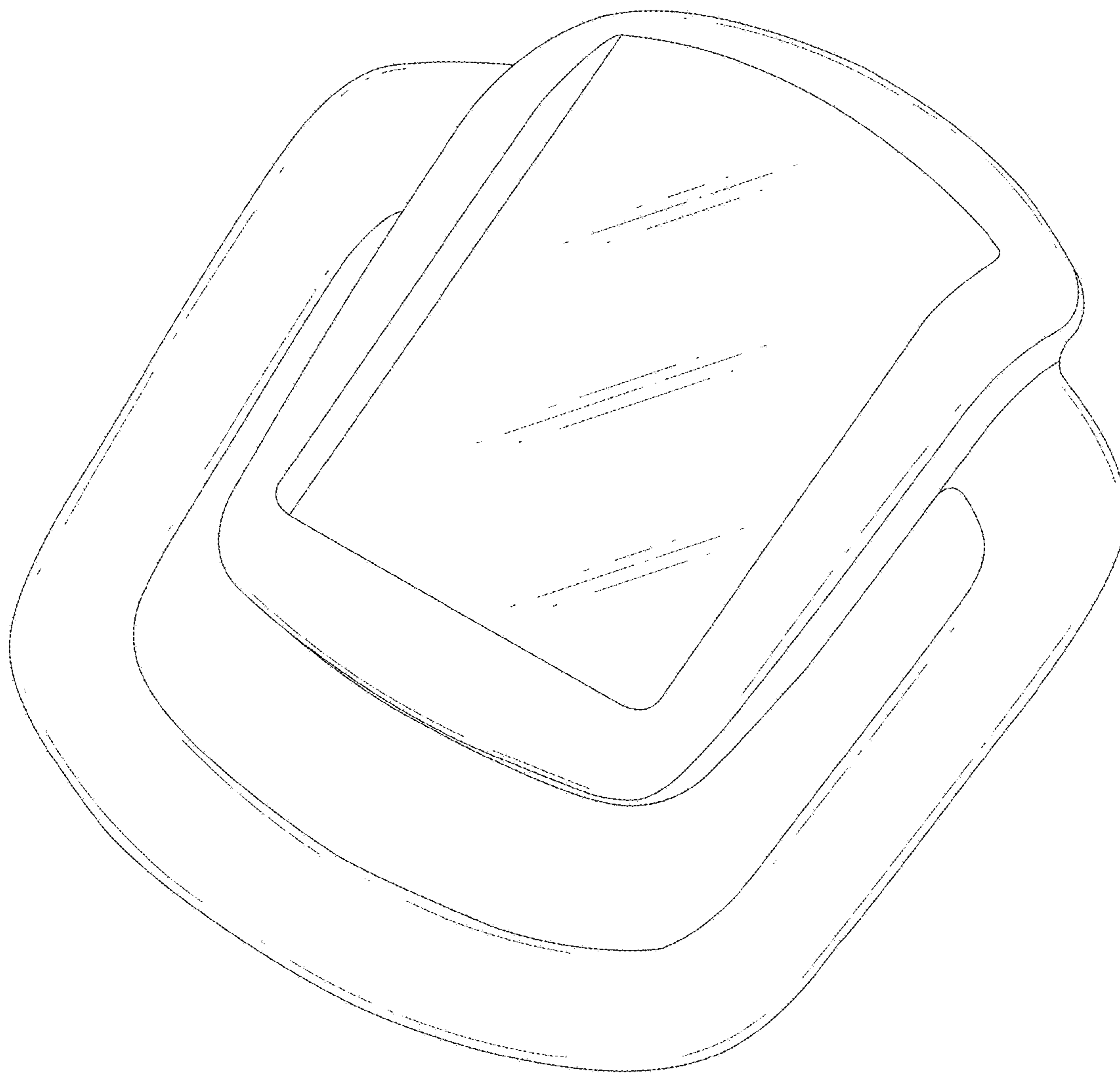


FIG. 1

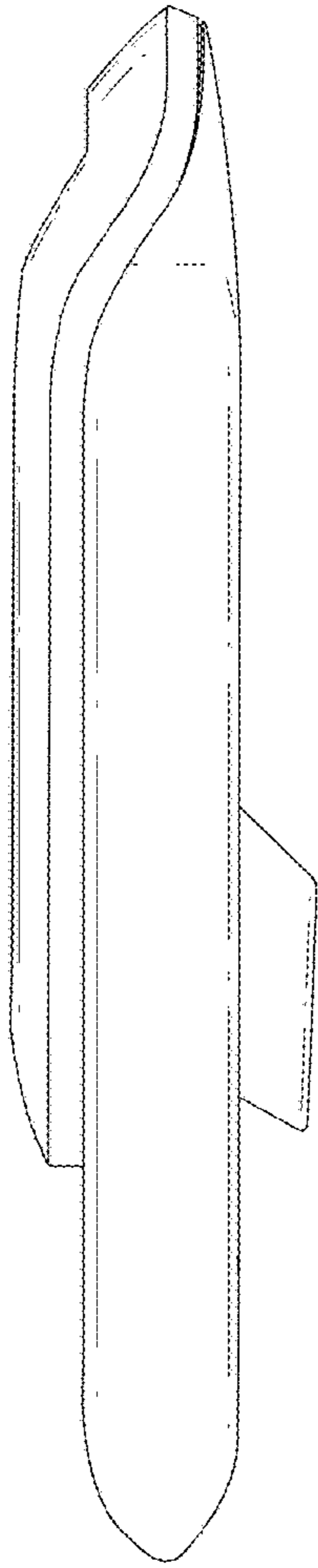


FIG. 2

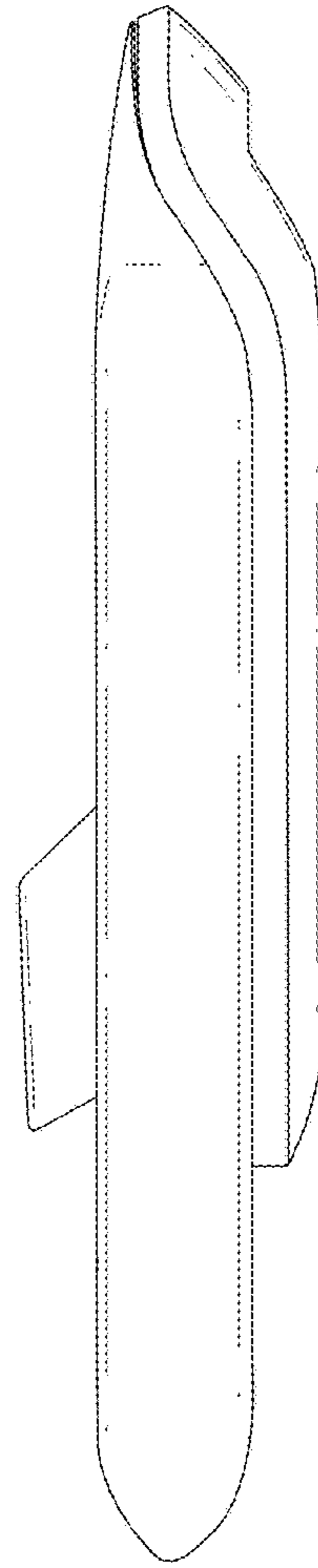


FIG. 3

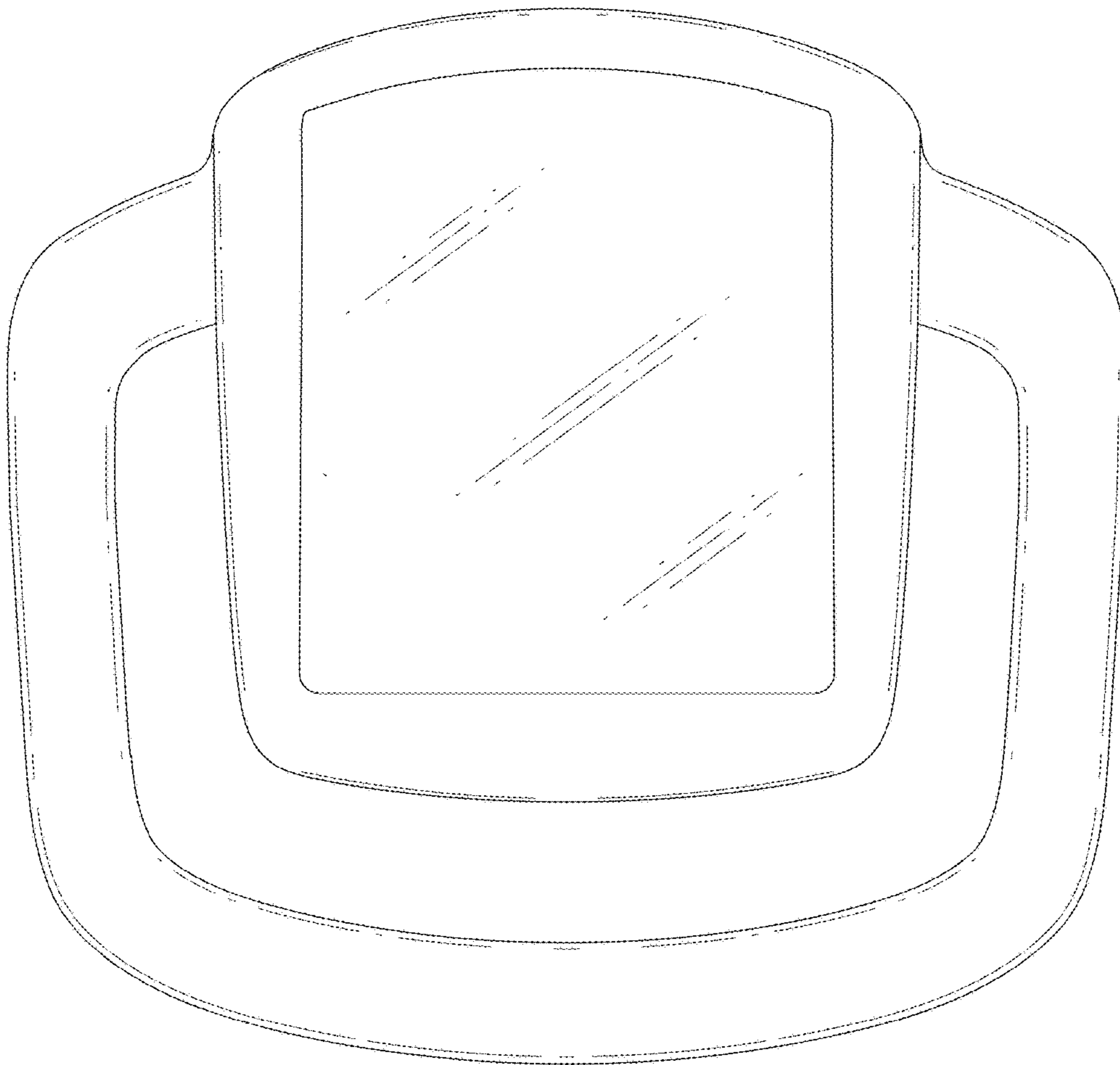


FIG. 4

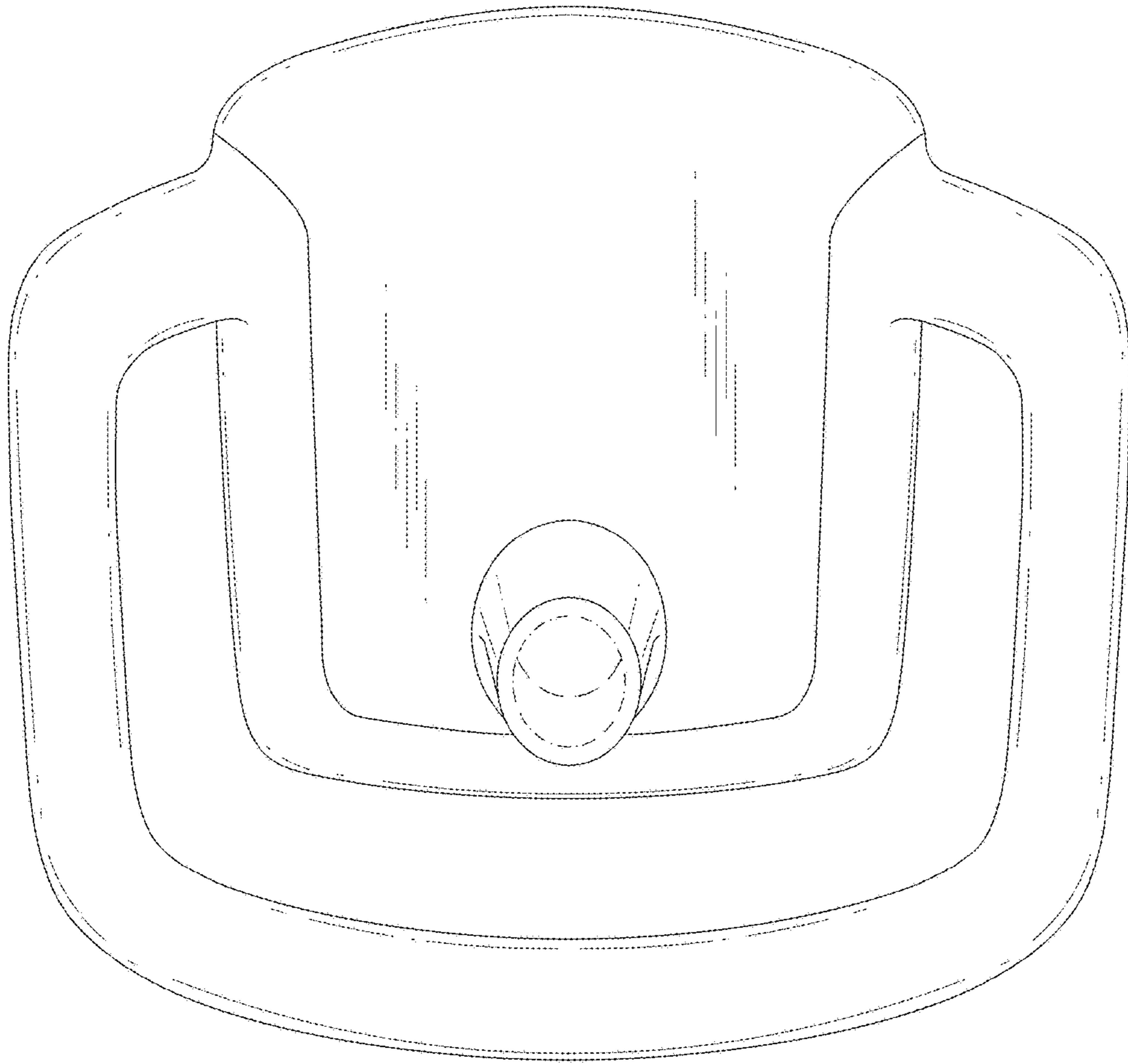


FIG. 5

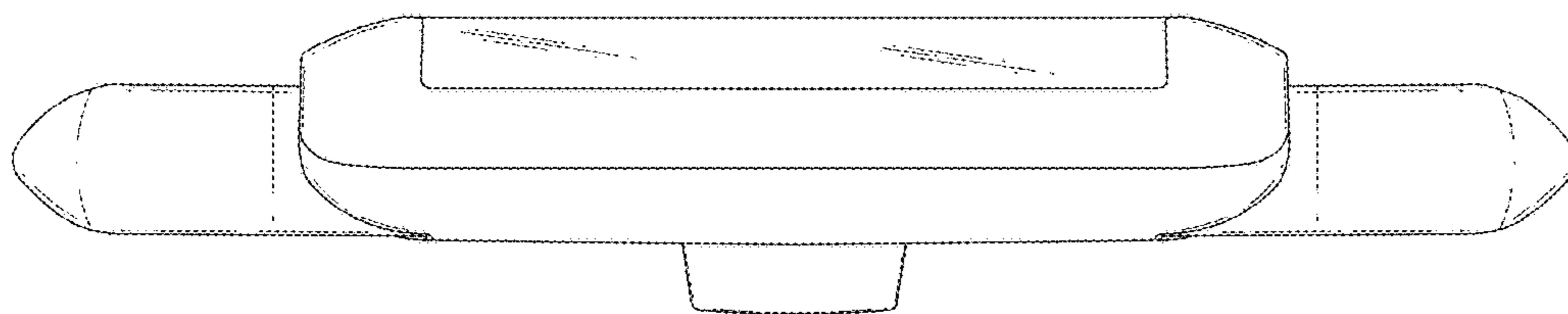


FIG. 6

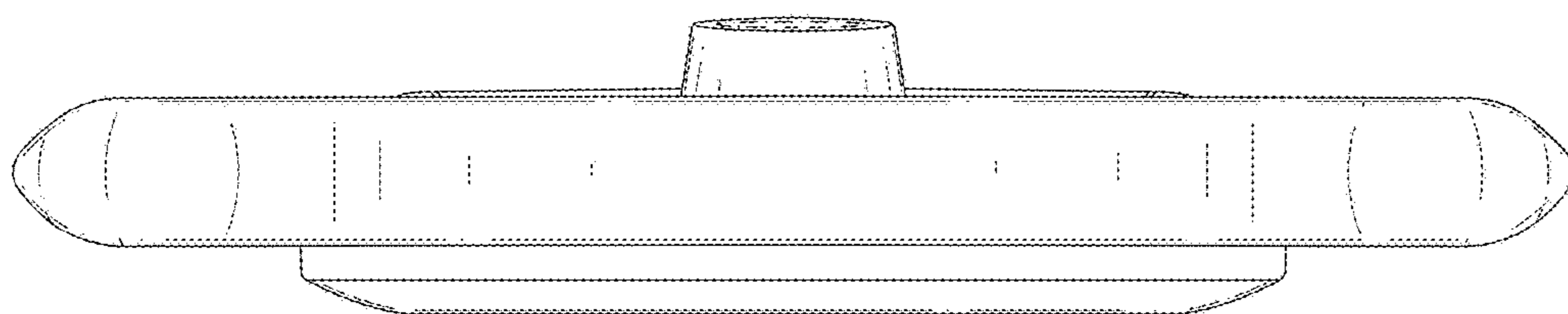


FIG. 7