



US00D826799S

(12) **United States Design Patent**
Oohashi

(10) **Patent No.:** **US D826,799 S**

(45) **Date of Patent:** **** Aug. 28, 2018**

(54) **AUTOMOTIVE RADIATOR GRILLE**

(71) Applicant: **Nissan Motor Co., Ltd.**, Yokohama,
Kanagawa (JP)

(72) Inventor: **Genta Oohashi**, Kanagawa (JP)

(73) Assignee: **Nissan Motor Co., Ltd.**, Yokohama
(JP)

(**) Term: **15 Years**

(21) Appl. No.: **29/597,536**

(22) Filed: **Mar. 17, 2017**

(30) **Foreign Application Priority Data**

Sep. 20, 2016 (JP) 2016-020274

(51) **LOC (11) Cl.** **12-16**

(52) **U.S. Cl.**
USPC **D12/163; D12/171**

(58) **Field of Classification Search**
USPC D12/86, 90, 91, 92, 163, 169, 196, 171,
D12/216; D15/31

CPC . B60R 19/52; B60R 2019/525; B60K 11/085;
B62D 25/084; H01Q 1/32

See application file for complete search history.

(56) **References Cited**

U.S. PATENT DOCUMENTS

D497,849 S * 11/2004 Yanase D12/163
D523,381 S * 6/2006 Taguchi D12/163
D537,019 S * 2/2007 Pfeiffer D12/163
D557,177 S * 12/2007 Endo D12/91
D573,924 S * 7/2008 Tachibana D12/163
D575,688 S * 8/2008 Miyata D12/163
D592,111 S * 5/2009 Janik D12/163
D592,564 S * 5/2009 Kusamoto D12/163
D610,052 S * 2/2010 Watanabe D12/163
D614,542 S * 4/2010 Kasai D12/163

D634,676 S * 3/2011 Iida D12/163
D635,065 S * 3/2011 Seo D12/163
D665,314 S * 8/2012 Fukui D12/163
D665,315 S * 8/2012 Matsuno D12/163
D670,214 S * 11/2012 Watanabe D12/163
D682,164 S * 5/2013 Fuchigami D12/163
D686,117 S * 7/2013 Tase D12/163
D702,600 S * 4/2014 Ajojima D12/163
D705,137 S * 5/2014 Kawasaki D12/163
D734,693 S * 7/2015 Koizumi D12/163
D755,090 S * 5/2016 Ino D12/163

(Continued)

FOREIGN PATENT DOCUMENTS

JP D1380440 S 2/2010
JP D1501242 S 6/2014

(Continued)

Primary Examiner — Darlington Ly

(57) **CLAIM**

The ornamental design for an automotive radiator grille, as shown and described.

DESCRIPTION

FIG. 1 is a front elevation view of an automotive radiator grille showing my new design;

FIG. 2 is a top plan view thereof;

FIG. 3 is a bottom plan view thereof;

FIG. 4 is a right side elevation view thereof;

FIG. 5 is a left side elevation view thereof;

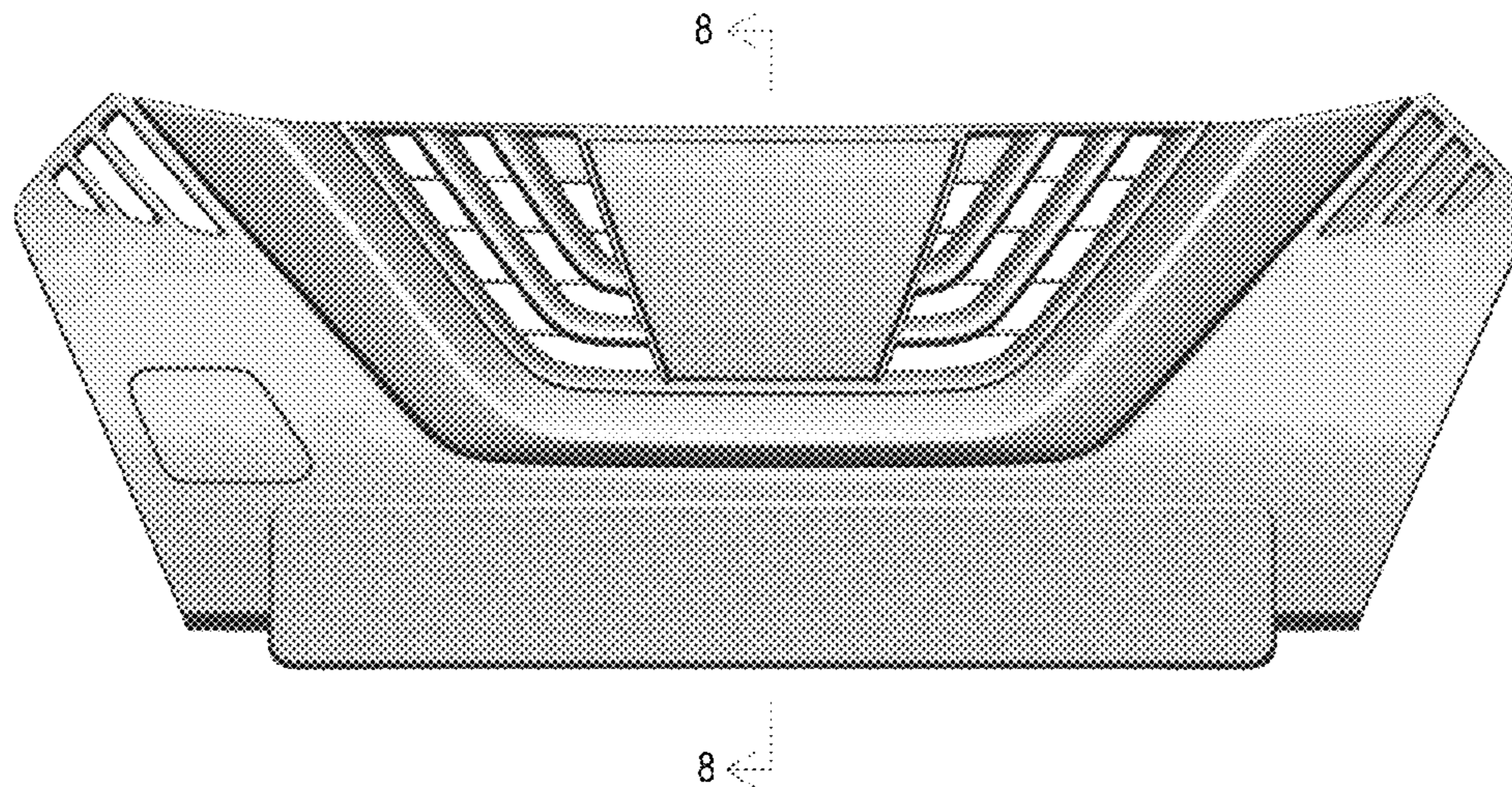
FIG. 6 is a bottom, front, and right side perspective view thereof;

FIG. 7 is a top, front, and left side perspective view thereof; and,

FIG. 8 is a cross-sectional view thereof, where the cut plane is taken along line 8-8 indicated in FIG. 1.

The broken line showing of the rear surface configuration or portions of the automotive radiator grille do not form part of the claimed design.

1 Claim, 8 Drawing Sheets



(56)

References Cited

U.S. PATENT DOCUMENTS

D766,782 S * 9/2016 Arroba D12/163
D774,999 S * 12/2016 Liu D12/163
D783,465 S * 4/2017 Choi D12/163
D789,844 S * 6/2017 Sakai D12/163
D789,845 S * 6/2017 Oohashi D12/163
2008/0073920 A1* 3/2008 Knauer B60K 11/085
293/115
2010/0015434 A1* 1/2010 Iwata C08G 18/6216
428/327

FOREIGN PATENT DOCUMENTS

JP D1475457 S 7/2015
JP D1553677 S 7/2016
JP D1556050 S 8/2016
JP D1562810 S 11/2016
JP D1546046 S 3/2017
JP D1572293 S 3/2017
JP D1572300 S 3/2017
JP D1561803 S 5/2017
JP D1538312 S 11/2017
JP D1575157 S 4/2018

* cited by examiner

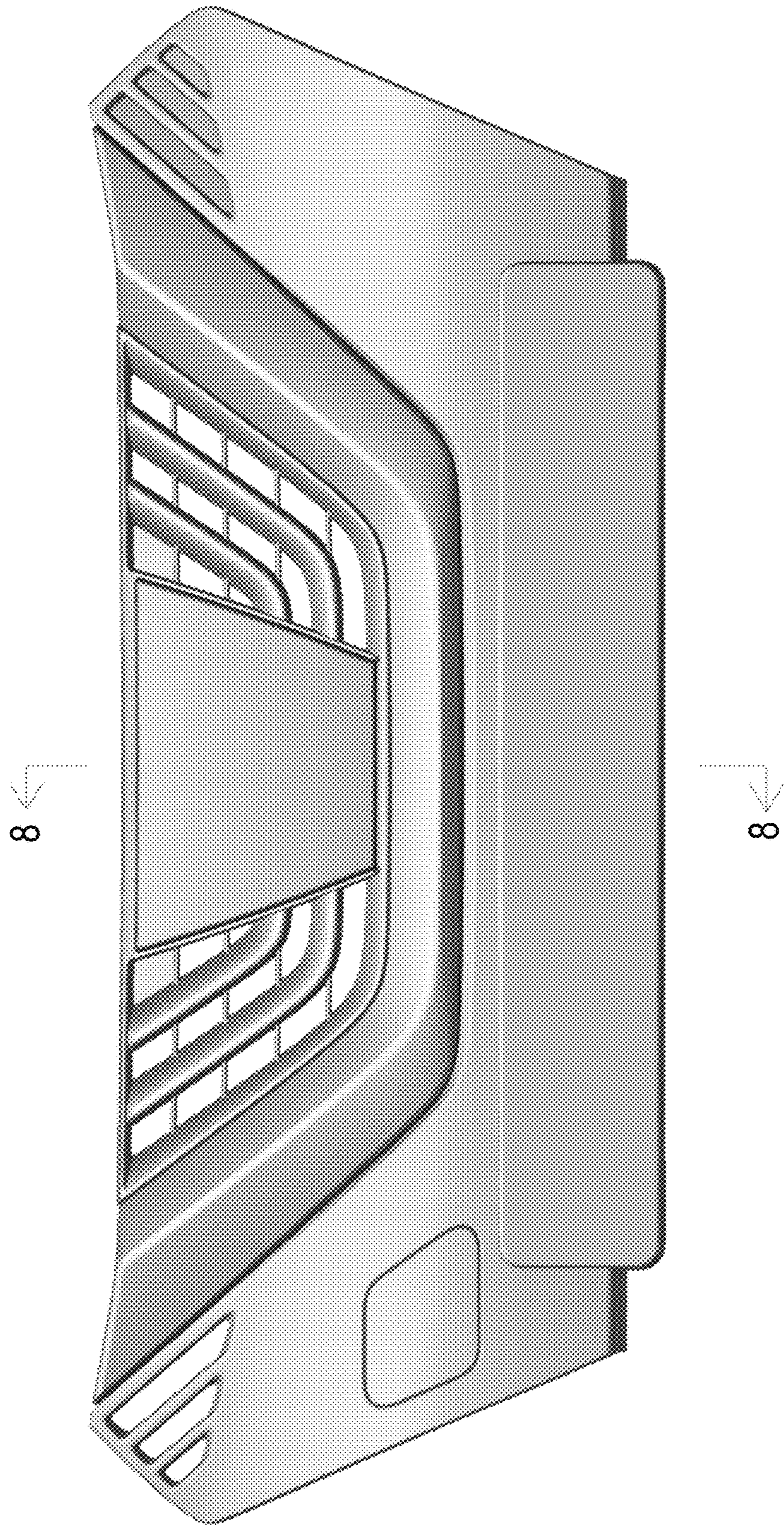


FIG. 1

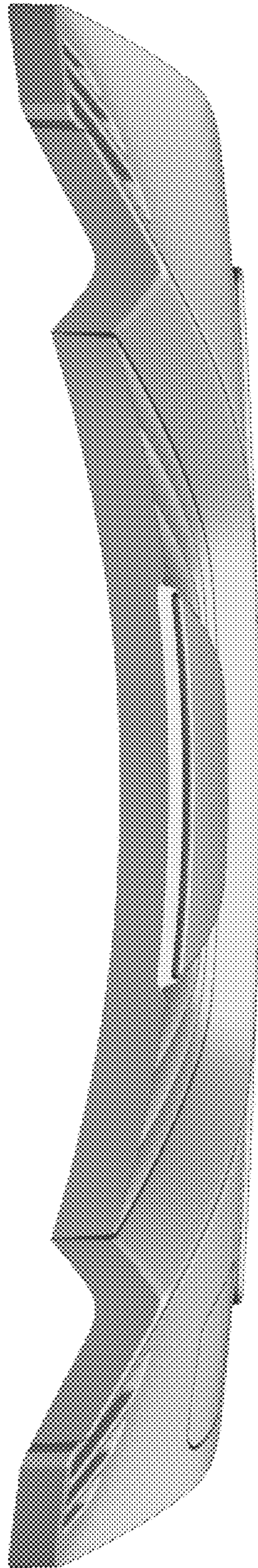


FIG. 2

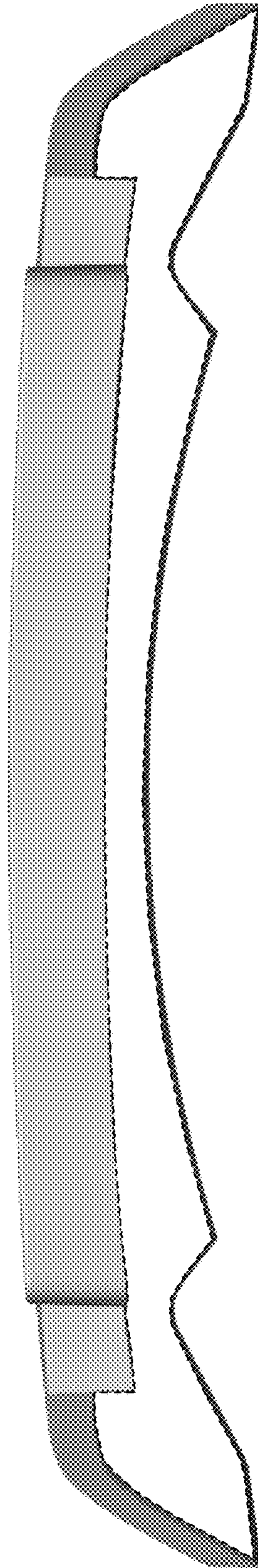


FIG. 3

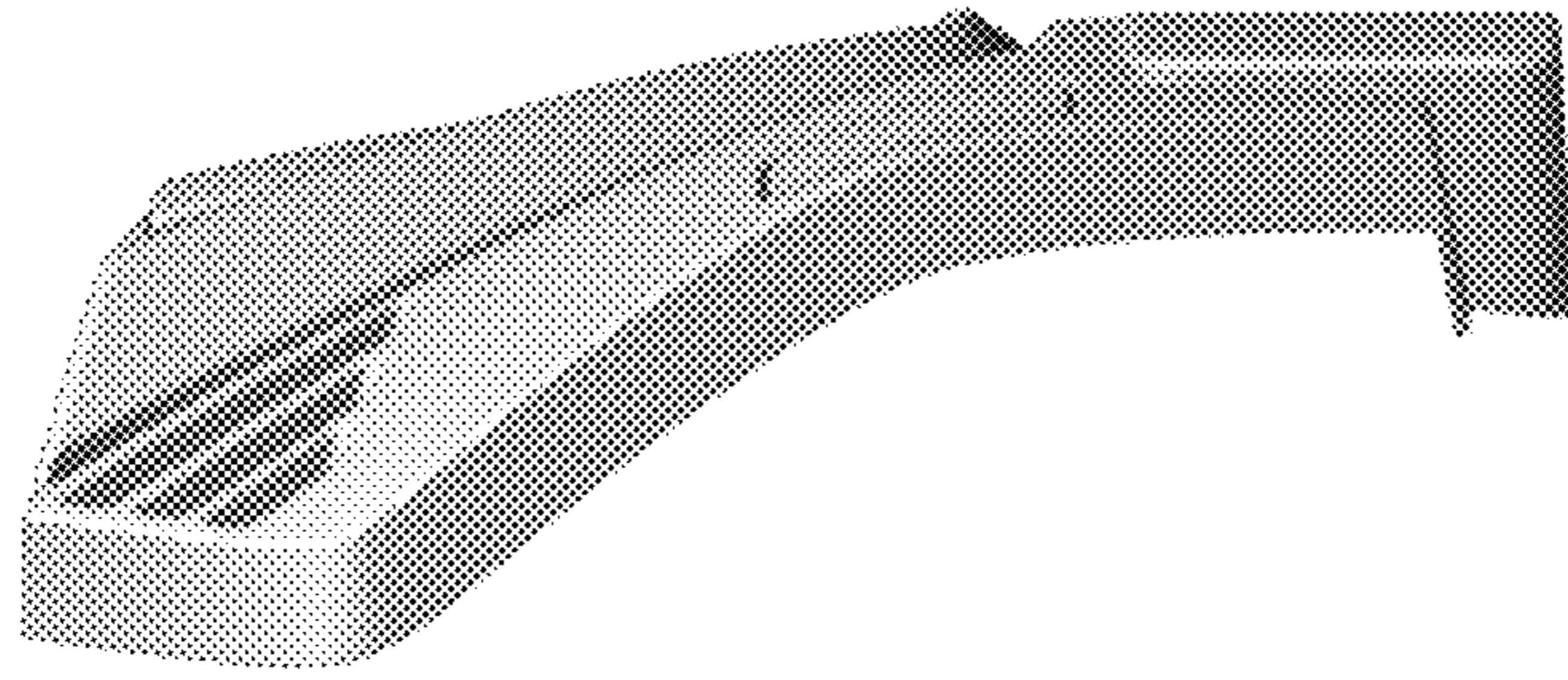


FIG. 4

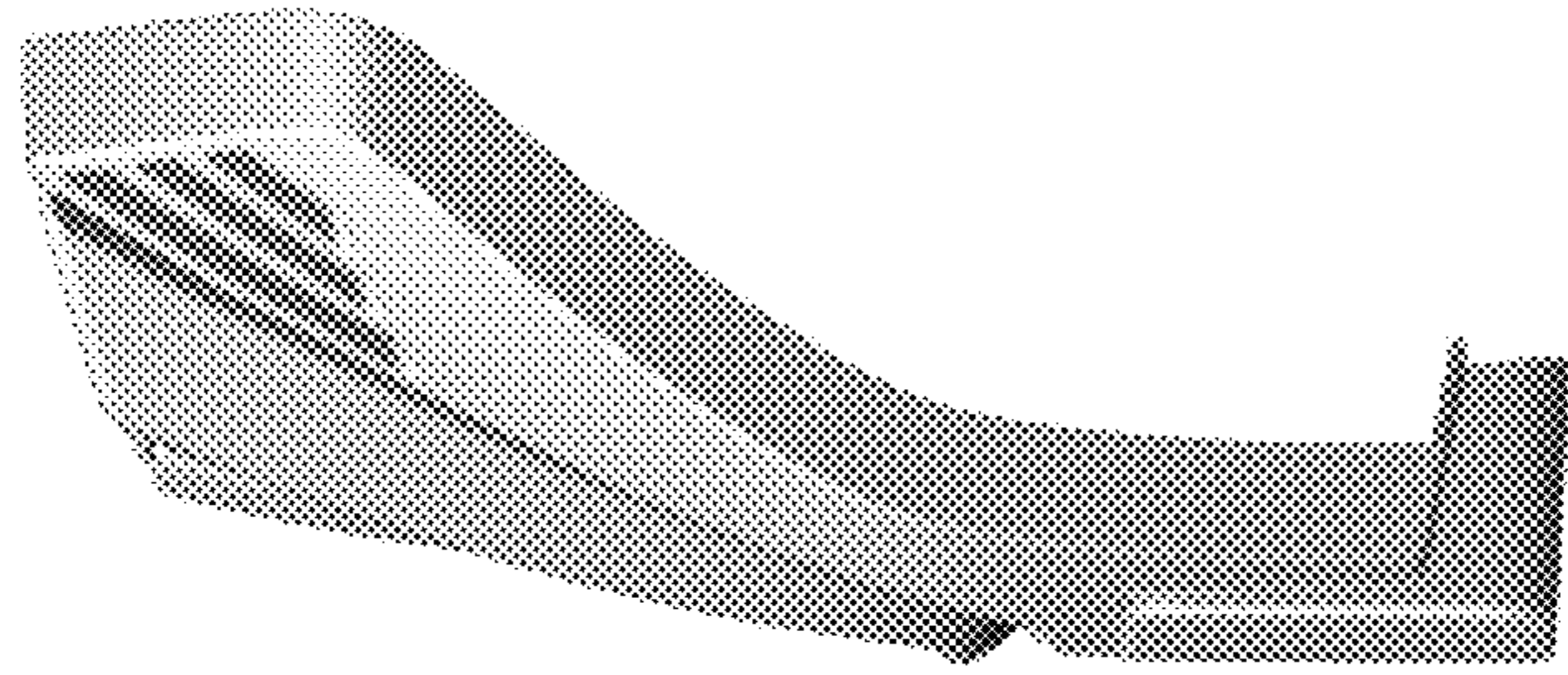


FIG. 5

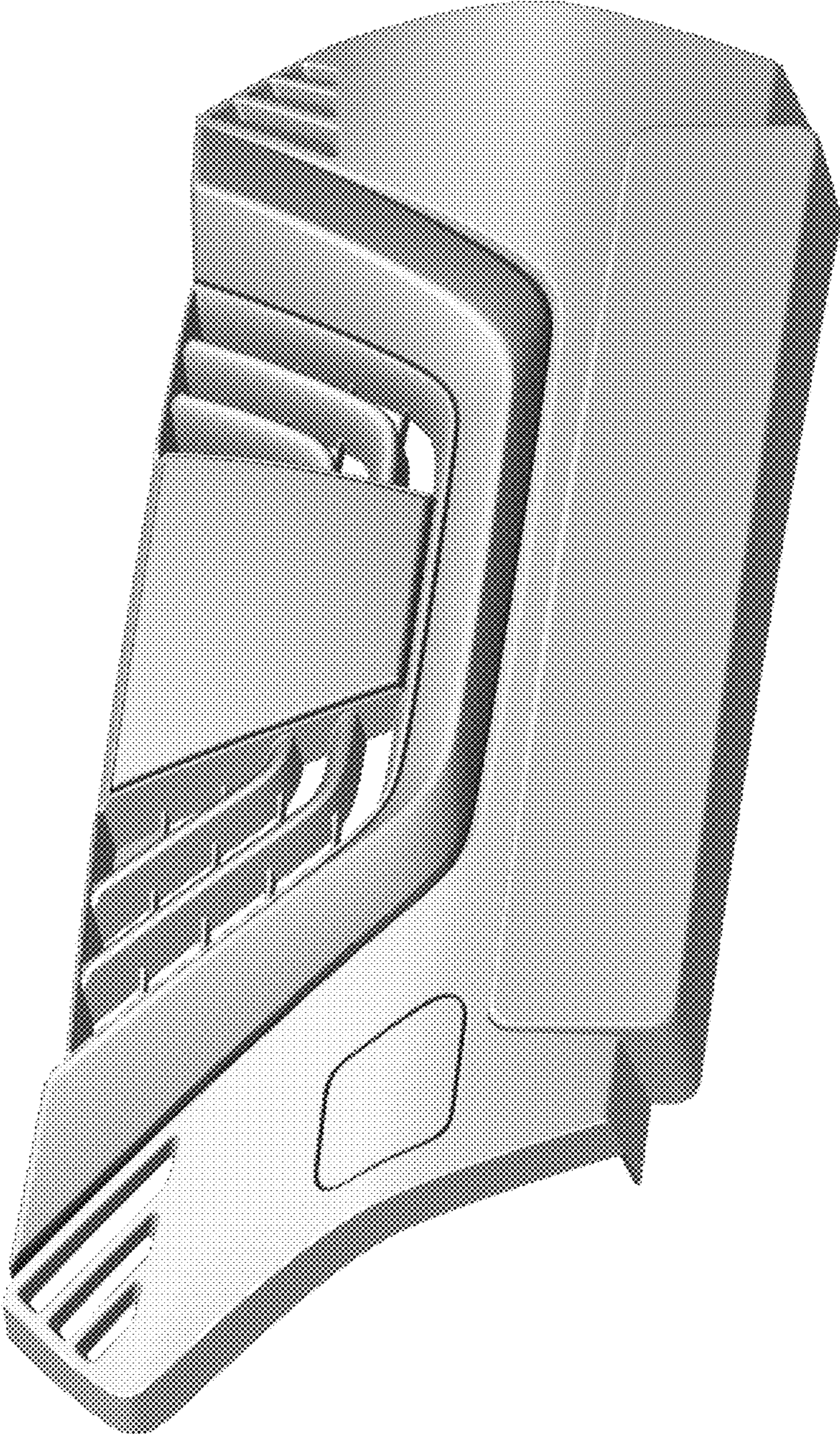


FIG. 6

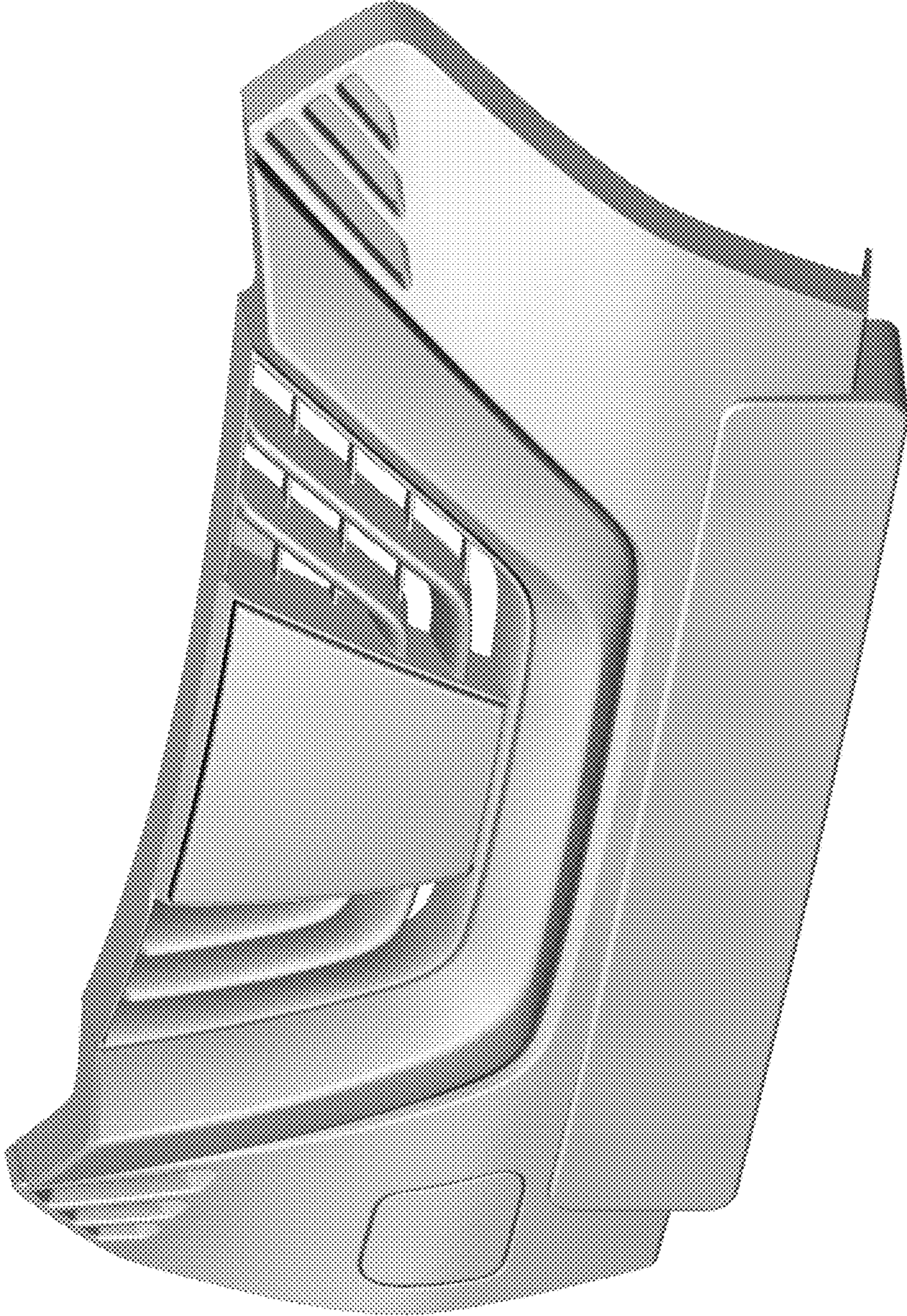


FIG. 7

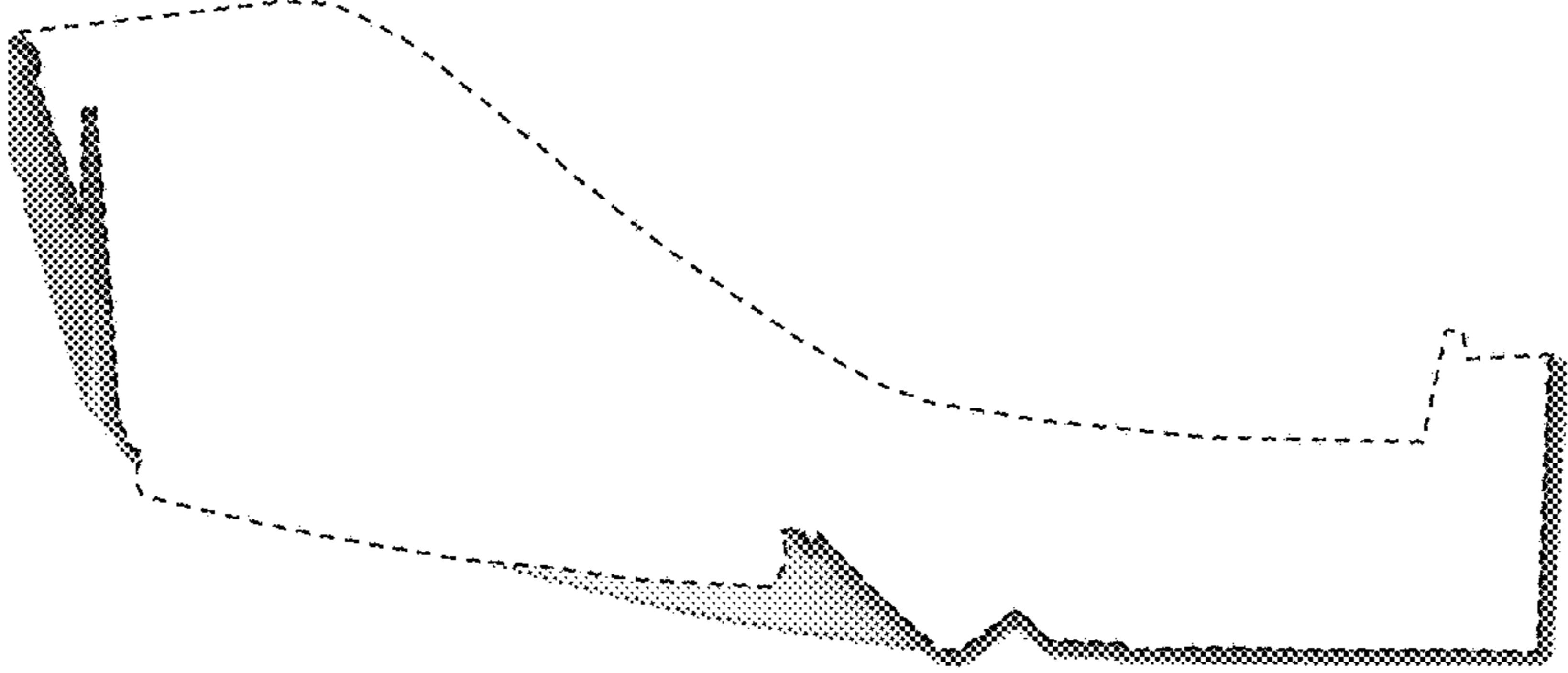


FIG. 8