



US00D826798S

(12) **United States Design Patent** (10) **Patent No.:** **US D826,798 S**
Behmer et al. (45) **Date of Patent:** **** Aug. 28, 2018**

- (54) **VEHICLE HOOD VENT**
- (71) Applicant: **Ford Global Technologies, LLC**,
Dearborn, MI (US)
- (72) Inventors: **Darrell P. Behmer**, Novi, MI (US);
Melvin Betancourt, Shelby Township,
MI (US); **Craig S. Metros**, Bloomfield,
MI (US); **Christopher Stevens**, Detroit,
MI (US)
- (73) Assignee: **Ford Global Technologies, LLC**,
Dearborn, MI (US)
- (**) Term: **15 Years**
- (21) Appl. No.: **29/590,853**
- (22) Filed: **Jan. 13, 2017**
- (51) **LOC (11) Cl.** **12-16**
- (52) **U.S. Cl.**
USPC **D12/163**
- (58) **Field of Classification Search**
USPC D12/163, 169, 196, 86, 90-92, 88
CPC B62D 25/08; B60K 11/08; B60R 19/05
See application file for complete search history.

(56) **References Cited**

U.S. PATENT DOCUMENTS

D420,958 S *	2/2000	Sousamian	D12/163
D420,961 S *	2/2000	Sousamian	D12/163
D496,890 S *	10/2004	Metros	D12/163
D509,466 S *	9/2005	Marchese	D12/196
D613,648 S *	4/2010	Wong	D12/163
7,699,369 B1 *	4/2010	Buresh	B60R 13/04 296/1.07
D640,175 S *	6/2011	Villamizar	D12/163
D647,828 S *	11/2011	Medina	D12/163
8,181,728 B2 *	5/2012	Hartland	B60K 11/08 180/68.1
D678,152 S	3/2013	Behmer et al.		

D685,294 S *	7/2013	Hanson	D12/93
D710,765 S *	8/2014	Conway	D12/163
D726,080 S	4/2015	Mays et al.		
D746,184 S *	12/2015	Hanson	D12/163
D751,013 S	3/2016	Curic et al.		
D754,574 S *	4/2016	Hanson	D12/163
D758,257 S *	6/2016	Platto	D12/163
D772,759 S *	11/2016	Lindloff	D12/114
D788,659 S *	6/2017	Jelec	D12/163
D792,140 S *	7/2017	Hemry	F24F 13/082 D6/356
D792,142 S *	7/2017	Hemry	B60R 13/04 D6/356
D792,724 S *	7/2017	Hemry	B60K 11/08 D6/356

(Continued)

Primary Examiner — Robin V Webster
Assistant Examiner — Rachel Voorhies
(74) *Attorney, Agent, or Firm* — James Dottavio

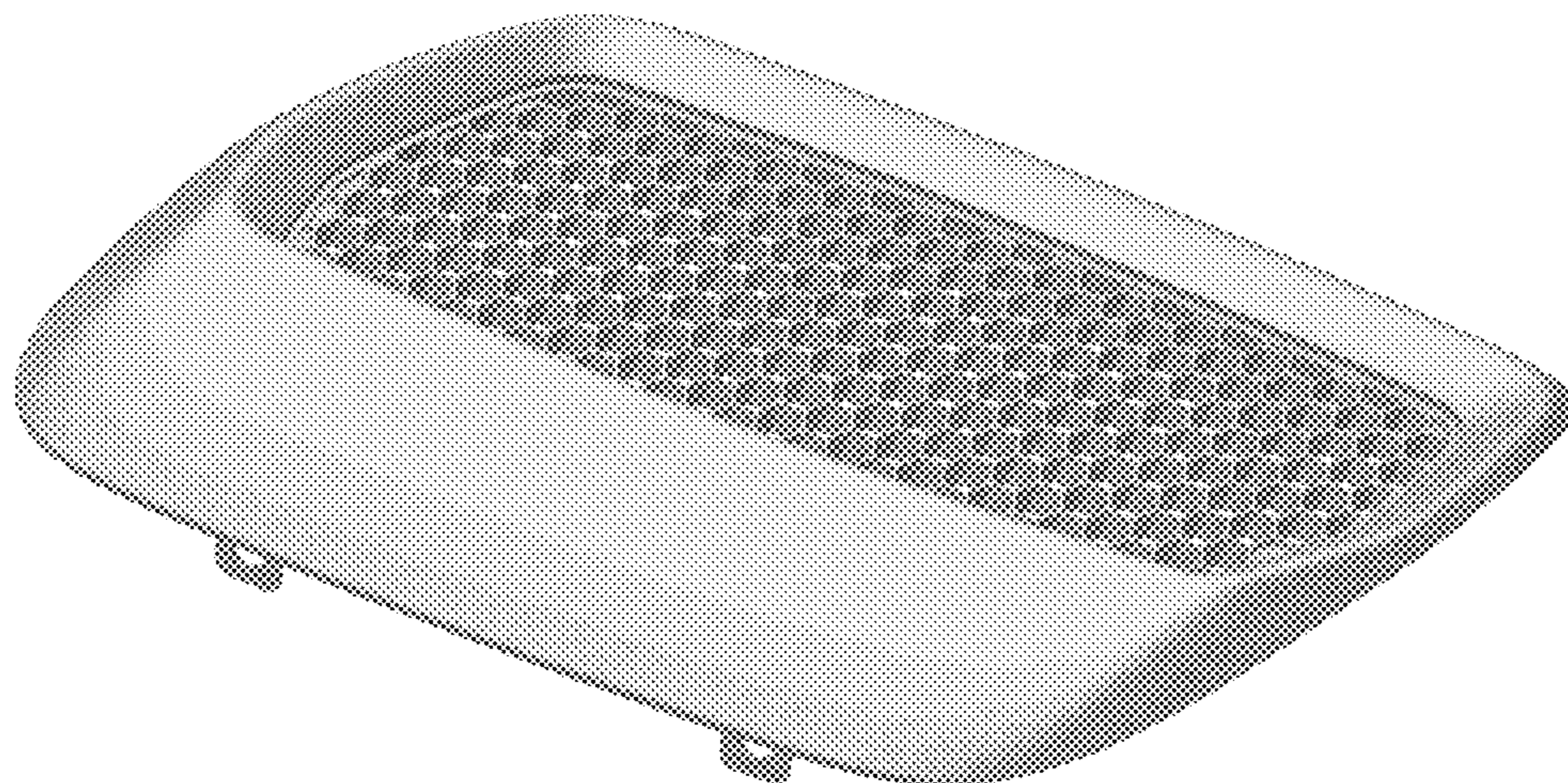
(57) **CLAIM**

The ornamental design for a vehicle hood vent, as shown.

DESCRIPTION

FIG. 1 is a top left perspective view of the first embodiment of a vehicle hood vent, showing our new design; FIG. 2 is a bottom left perspective view thereof; FIG. 3 is a top rear perspective view thereof; FIG. 4 is a front elevational view thereof; FIG. 5 is a rear elevational view thereof; FIG. 6 is a left side elevational view thereof; FIG. 7 is a right side elevational view thereof; FIG. 8 is a top plan view thereof; and, FIG. 9 is a bottom plan view thereof. The second embodiment of the vehicle hood vent is a mirror image of the embodiment disclosed in FIGS. 1 through 9, and is not shown.

1 Claim, 9 Drawing Sheets



(56)

References Cited

U.S. PATENT DOCUMENTS

2003/0027516 A1* 2/2003 Mafi F24F 13/082
454/276

* cited by examiner



Figure 1

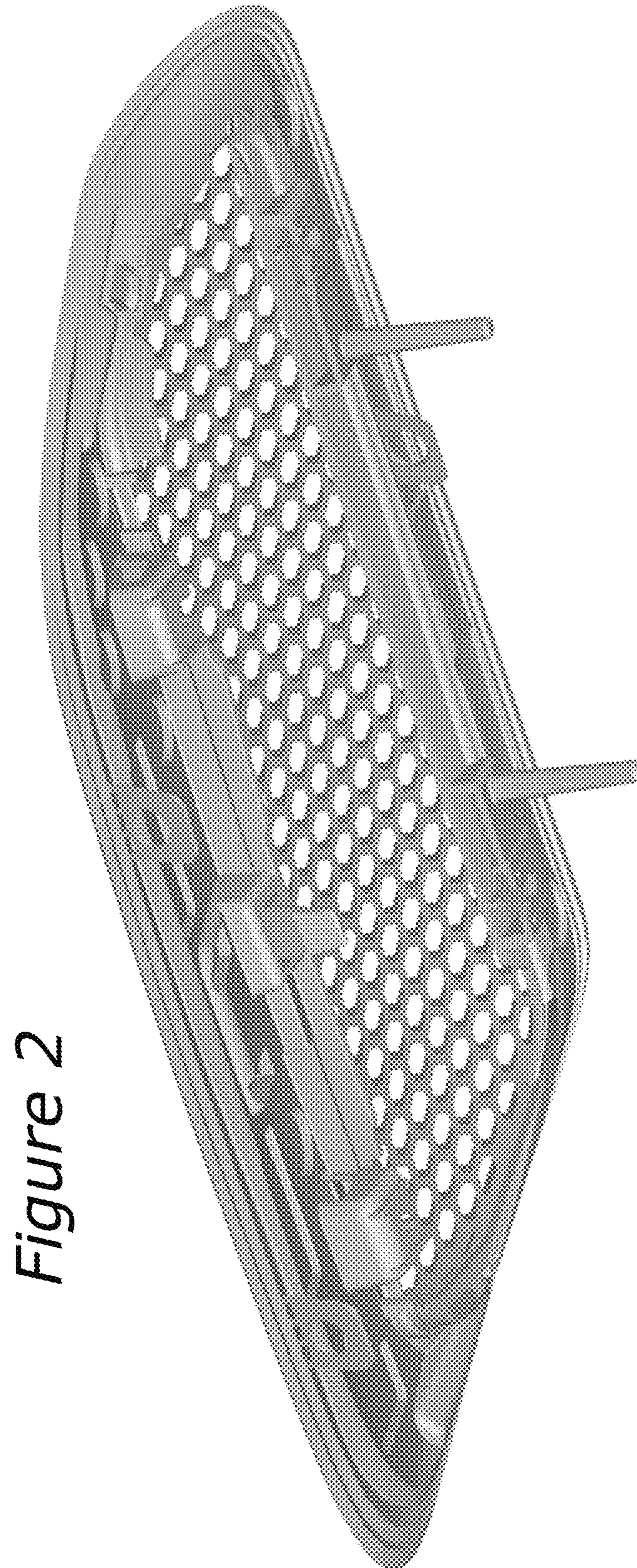
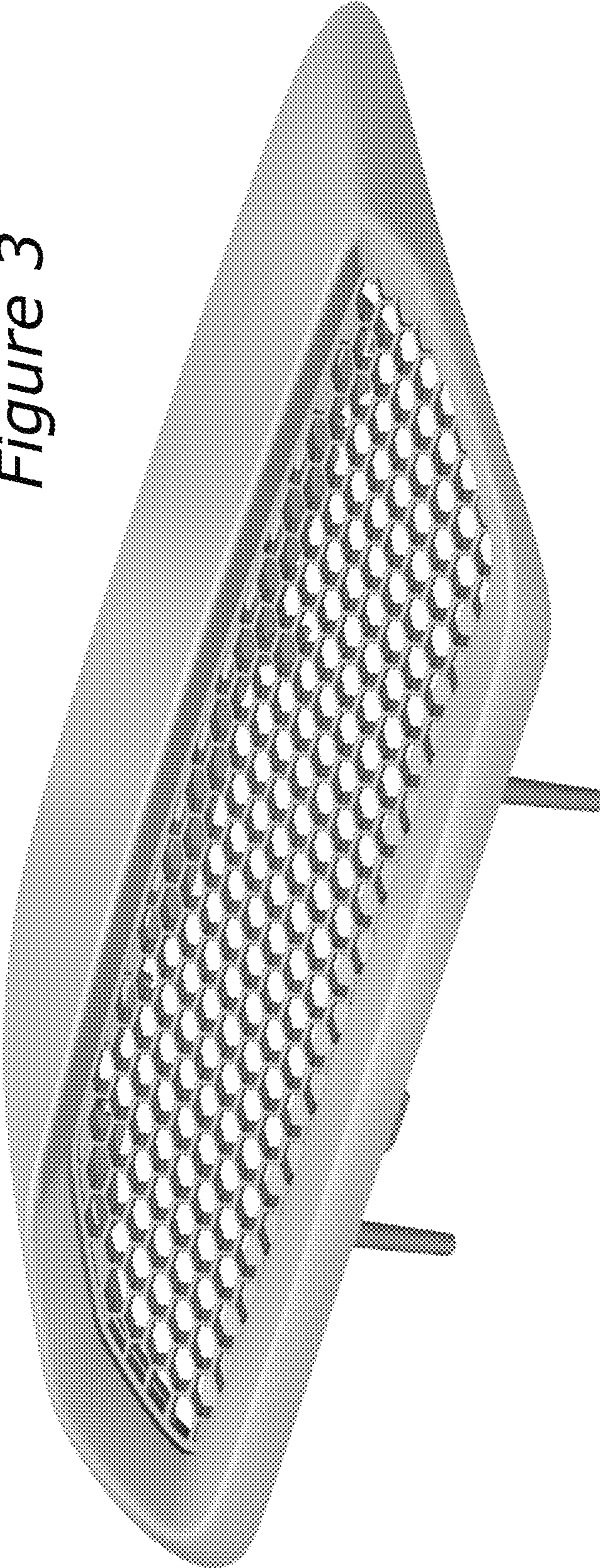


Figure 2

Figure 3



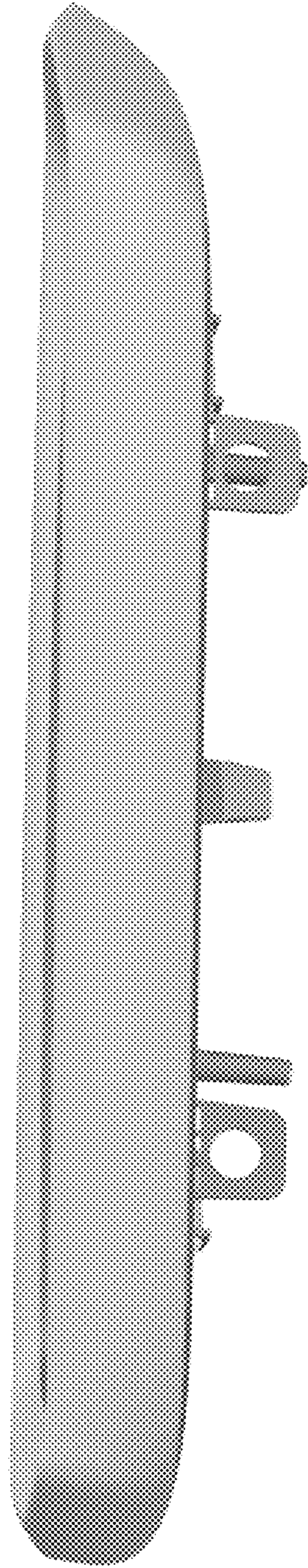


Figure 4

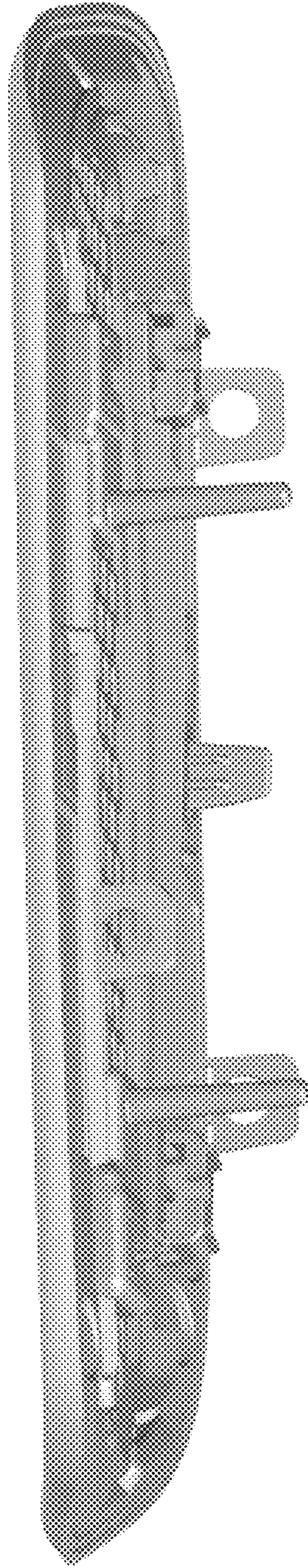


Figure 5

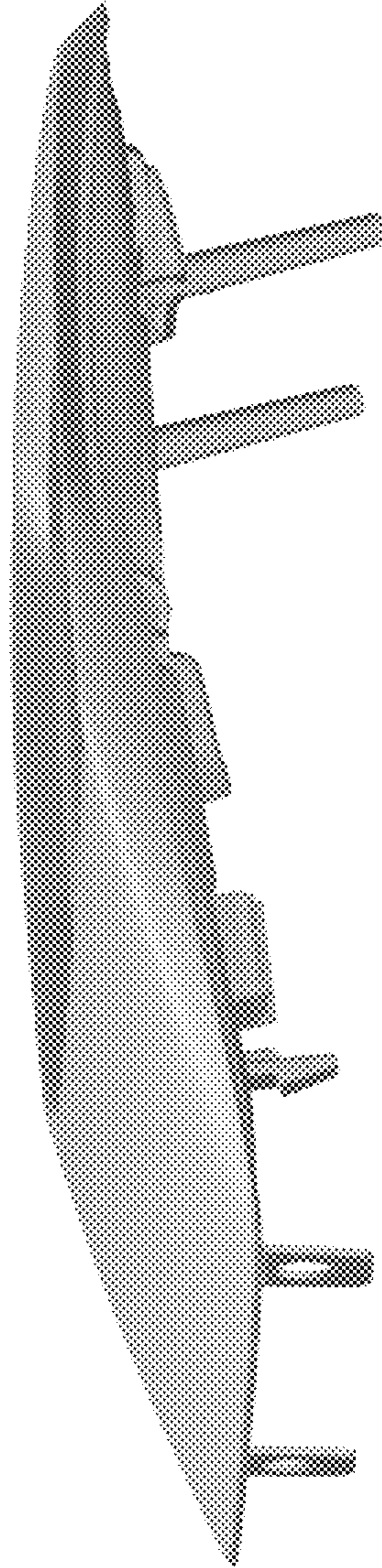


Figure 6

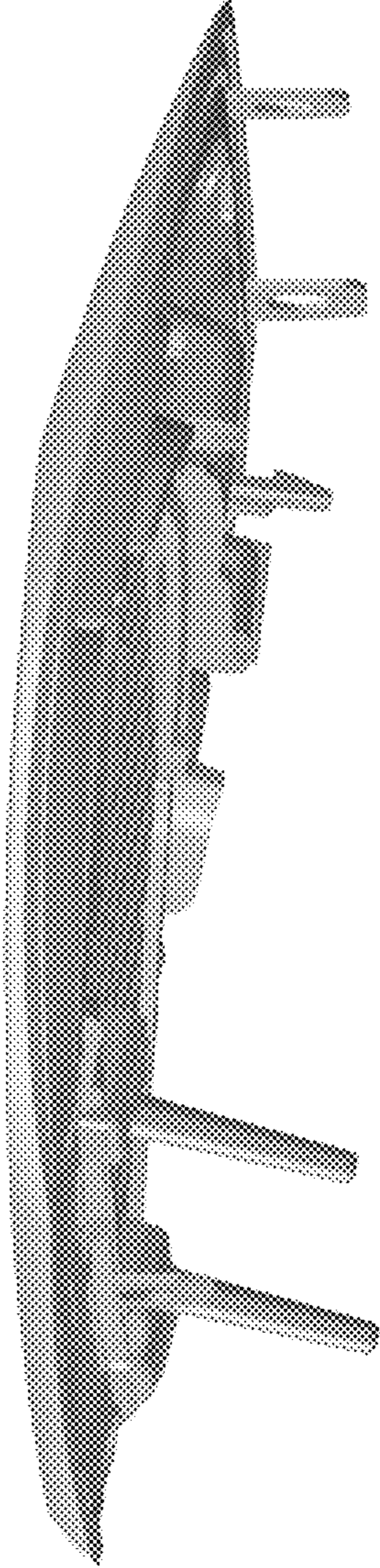


Figure 7

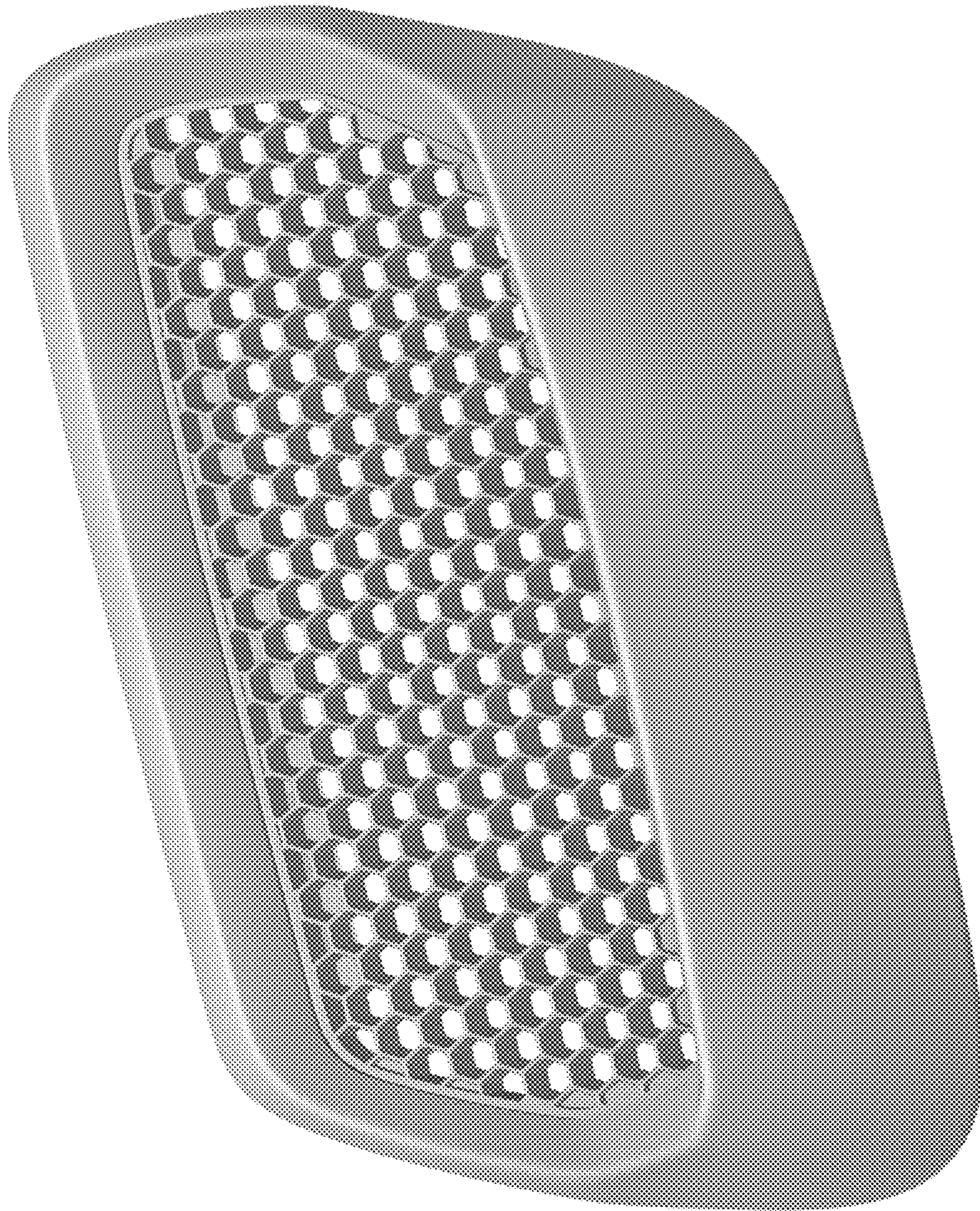


Figure 8

Figure 9

