



US00D826796S

(12) **United States Design Patent**  
**Awasa**

(10) **Patent No.:** **US D826,796 S**

(45) **Date of Patent:** **\*\* Aug. 28, 2018**

(54) **AXLE HOLDER FOR MOTORCYCLE**

2014/0145413 A1\* 5/2014 Baltaxe ..... B62K 21/02  
280/279

(71) Applicant: **SHOWA CORPORATION**, Saitama  
(JP)

\* cited by examiner

(72) Inventor: **Shigeki Awasa**, Shizuoka (JP)

*Primary Examiner* — Michael A. Pratt

(73) Assignee: **SHOWA CORPORATION**, Saitama  
(JP)

(74) *Attorney, Agent, or Firm* — Rankin, Hill & Clark  
LLP

(\*\*) Term: **15 Years**

(57) **CLAIM**

(21) Appl. No.: **29/584,362**

The ornamental design for an axle holder for motorcycle, as shown and described.

(22) Filed: **Nov. 14, 2016**

(51) **LOC (11) Cl.** ..... **12-16**

(52) **U.S. Cl.**  
USPC ..... **D12/160**

(58) **Field of Classification Search**  
USPC ..... D12/159–160  
CPC ..... B62D 1/046; B62D 1/185; B62D 1/195;  
B62D 1/187; B60W 10/20; B60W  
2540/18; B60G 11/22; B60G 2204/125;  
B60G 2202/143; B60G 2202/142; B60G  
2204/41; B60G 2202/14; B60G 2206/73  
See application file for complete search history.

**DESCRIPTION**

FIG. 1 is a front, left side, top plan view of an axle holder for motorcycle showing my new design;  
FIG. 2 is a rear, left side, top plan view of the axle holder for motorcycle of FIG. 1;  
FIG. 3 is a front view of the axle holder for motorcycle of FIG. 1;  
FIG. 4 is a rear view of the axle holder for motorcycle of FIG. 1;  
FIG. 5 is a left side view of the axle holder for motorcycle of FIG. 1;  
FIG. 6 is a right side view of the axle holder for motorcycle of FIG. 1;  
FIG. 7 is a top plan view of the axle holder for motorcycle of FIG. 1;  
FIG. 8 is a bottom plan view of the axle holder for motorcycle of FIG. 1;  
FIG. 9 is a reference top view of the axle holder for motorcycle of FIG. 1, indicating cross-sectional part (10-10) and (11-11);  
FIG. 10 is a cross-sectional view of the axle holder for motorcycle taken along at 10-10 of FIG. 9; and,  
FIG. 11 is a cross-sectional view of the axle holder for motorcycle taken along at 11-11 of FIG. 9.  
The diagonal hashed lines on the cross-sectional views in FIGS. 10 and 11 do not form part of the claimed design.

(56) **References Cited**

**U.S. PATENT DOCUMENTS**

4,515,384	A *	5/1985	Honnna	.....	B62K 25/08 188/272
4,561,669	A *	12/1985	Simons	.....	B62K 25/08 180/219
6,109,635	A *	8/2000	Maeda	.....	B62K 25/02 280/276
D736,681	S *	8/2015	Awasa	.....	D12/160
2003/0193161	A1 *	10/2003	Turner	.....	B62K 21/02 280/276
2005/0110335	A1 *	5/2005	Rose	.....	B62K 25/02 301/124.1
2008/0110706	A1 *	5/2008	Ishida	.....	B60T 8/171 188/181 R
2009/0173033	A1 *	7/2009	Baxter, Jr.	.....	A63J 1/00 52/646

**1 Claim, 6 Drawing Sheets**

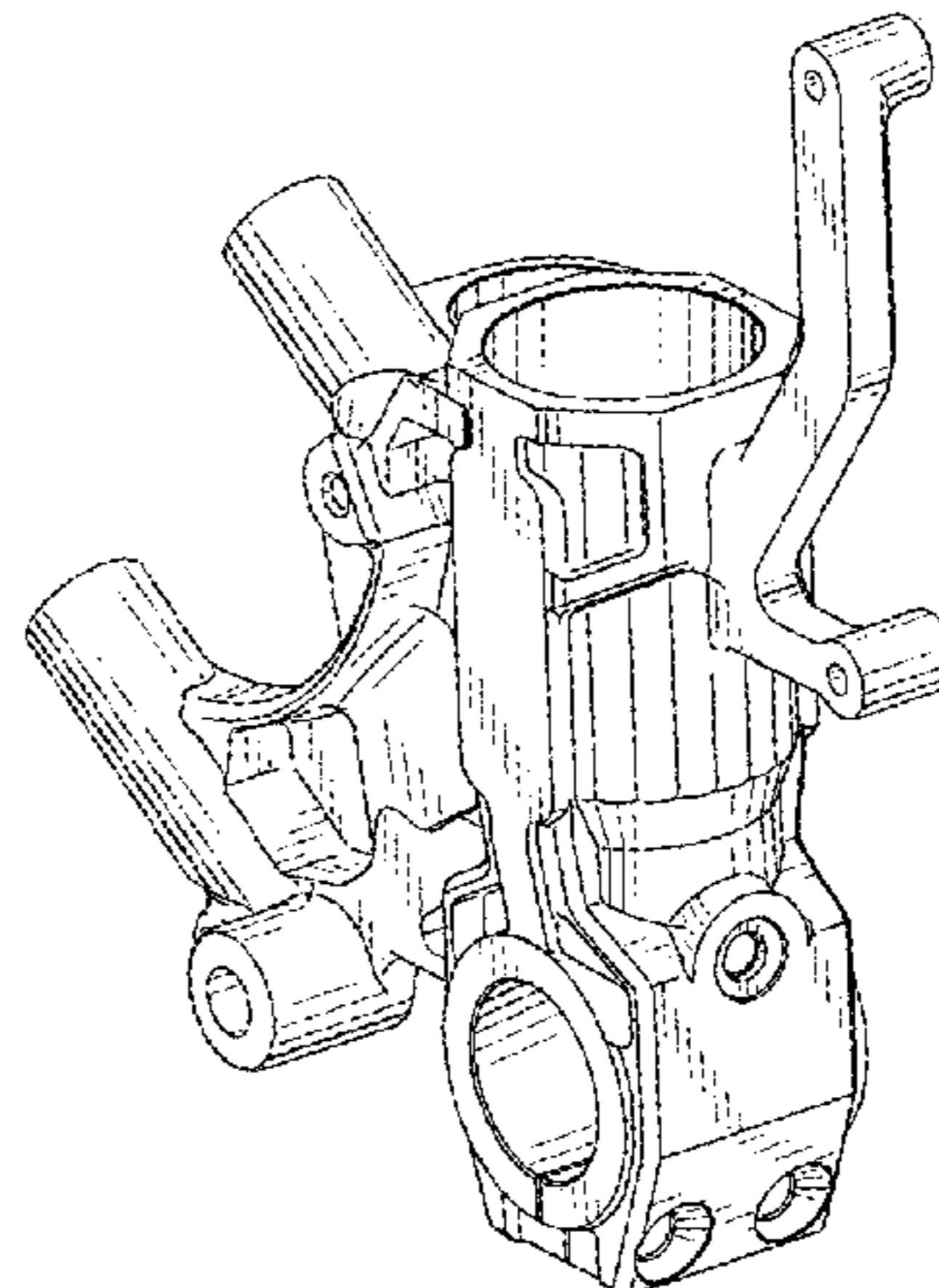
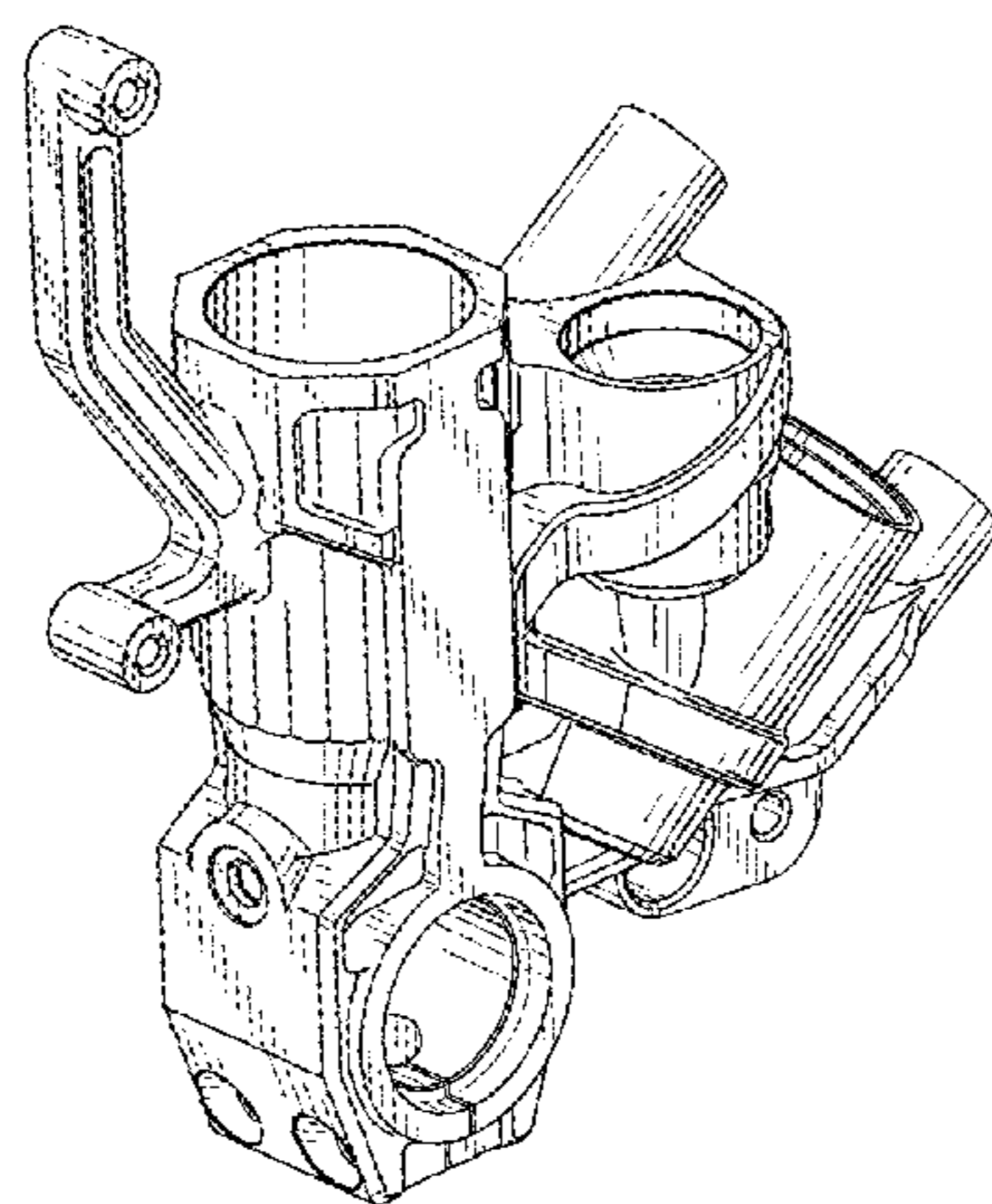


FIG. 1

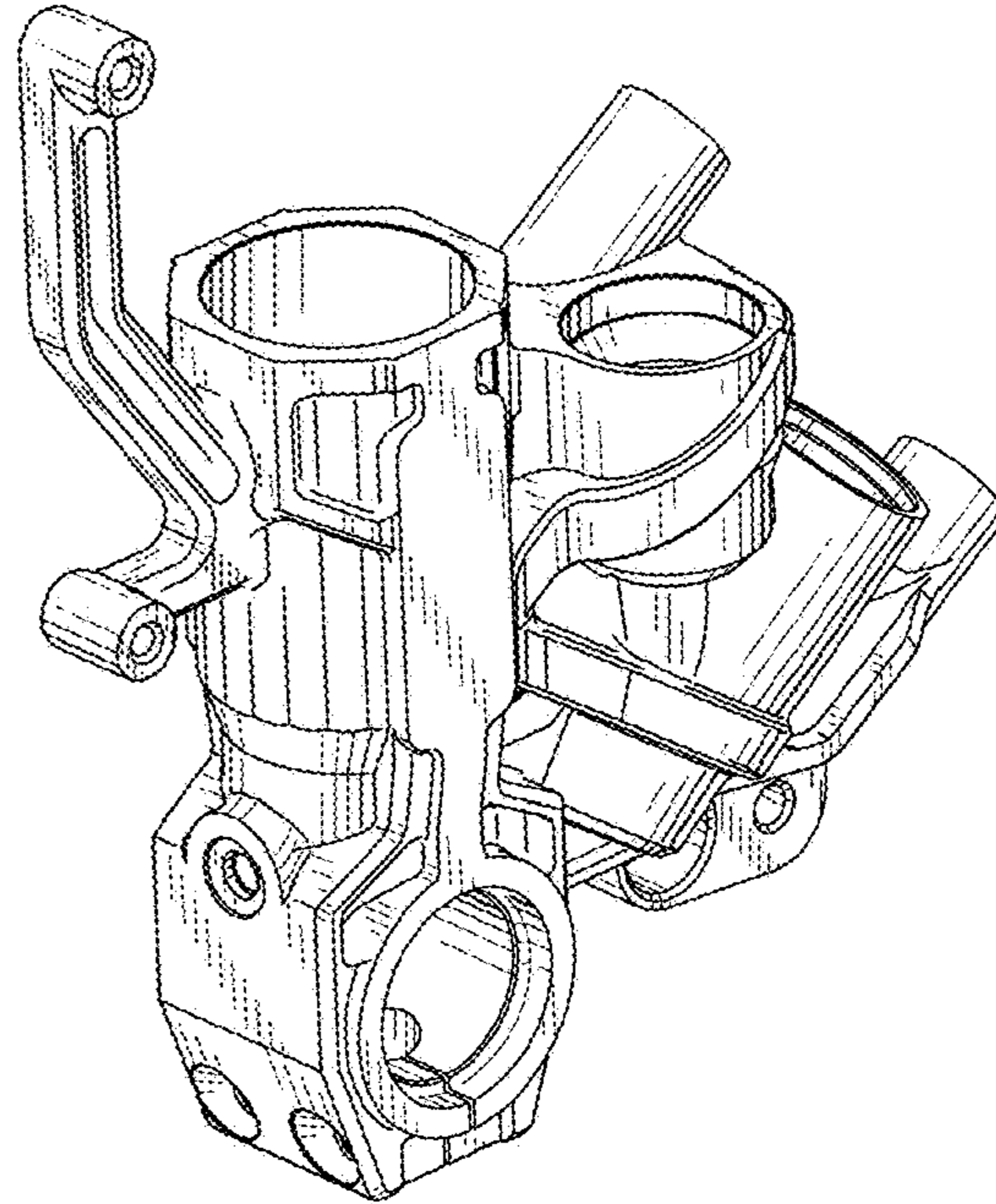


FIG. 2

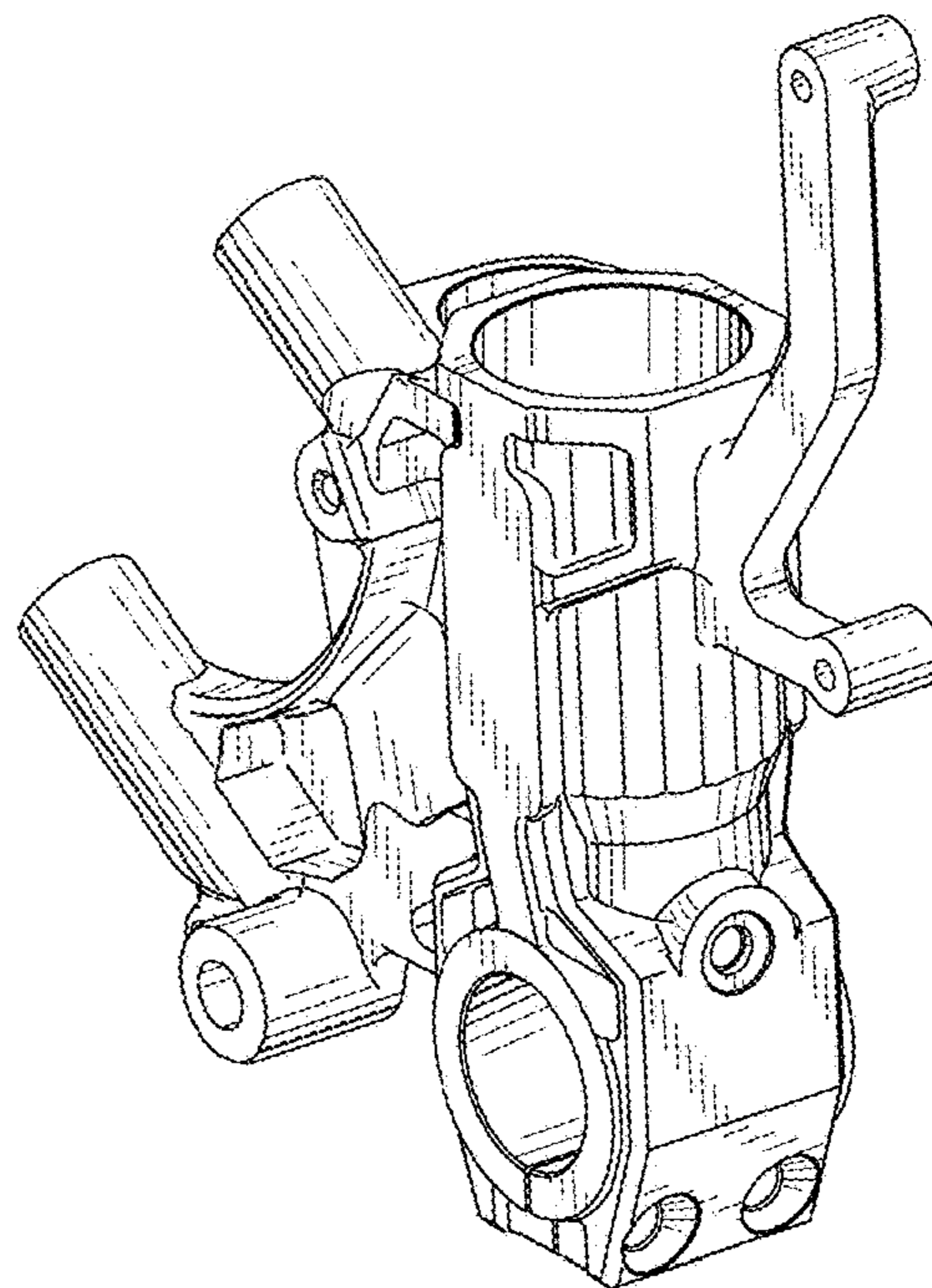


FIG. 3

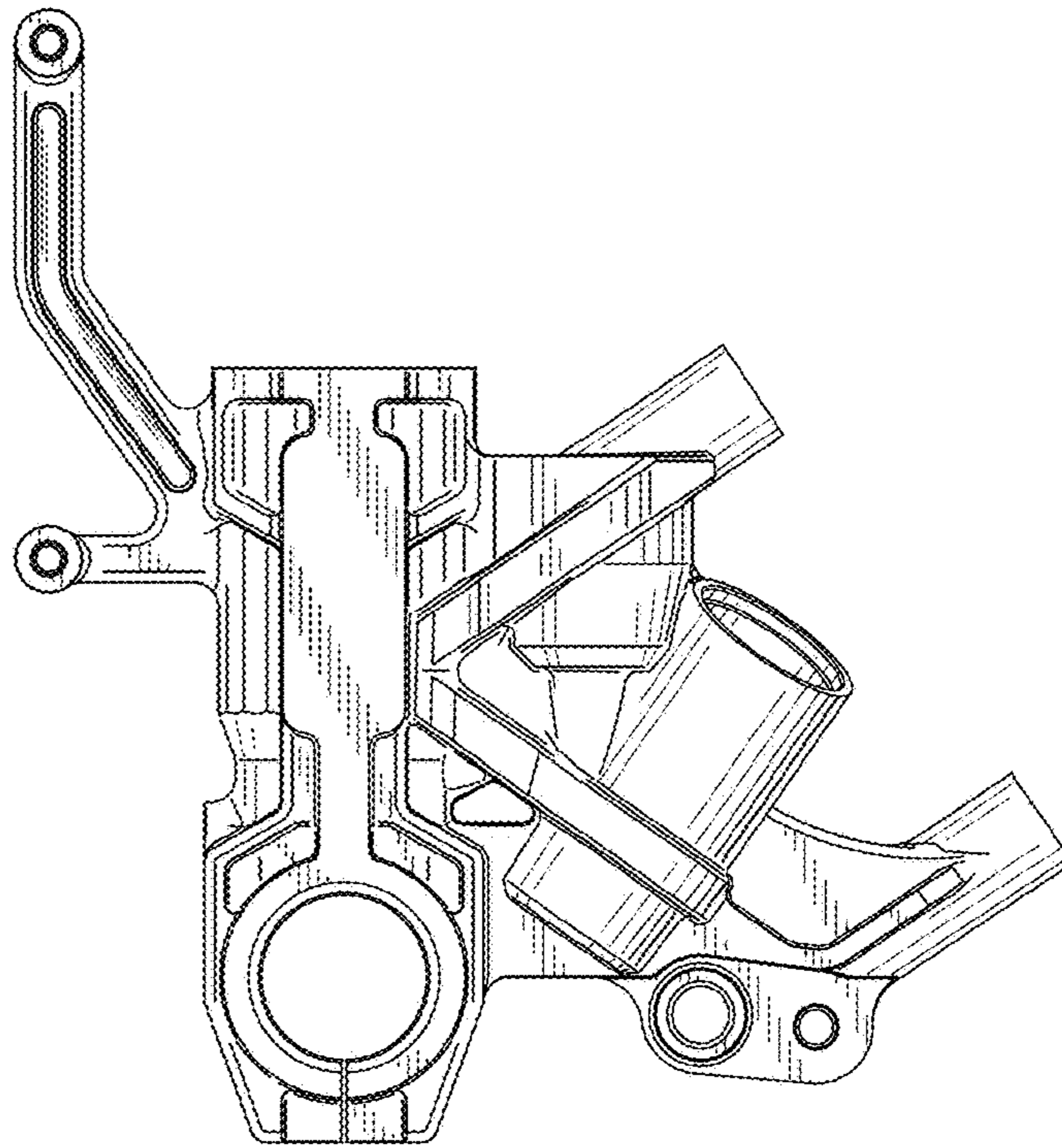


FIG. 4

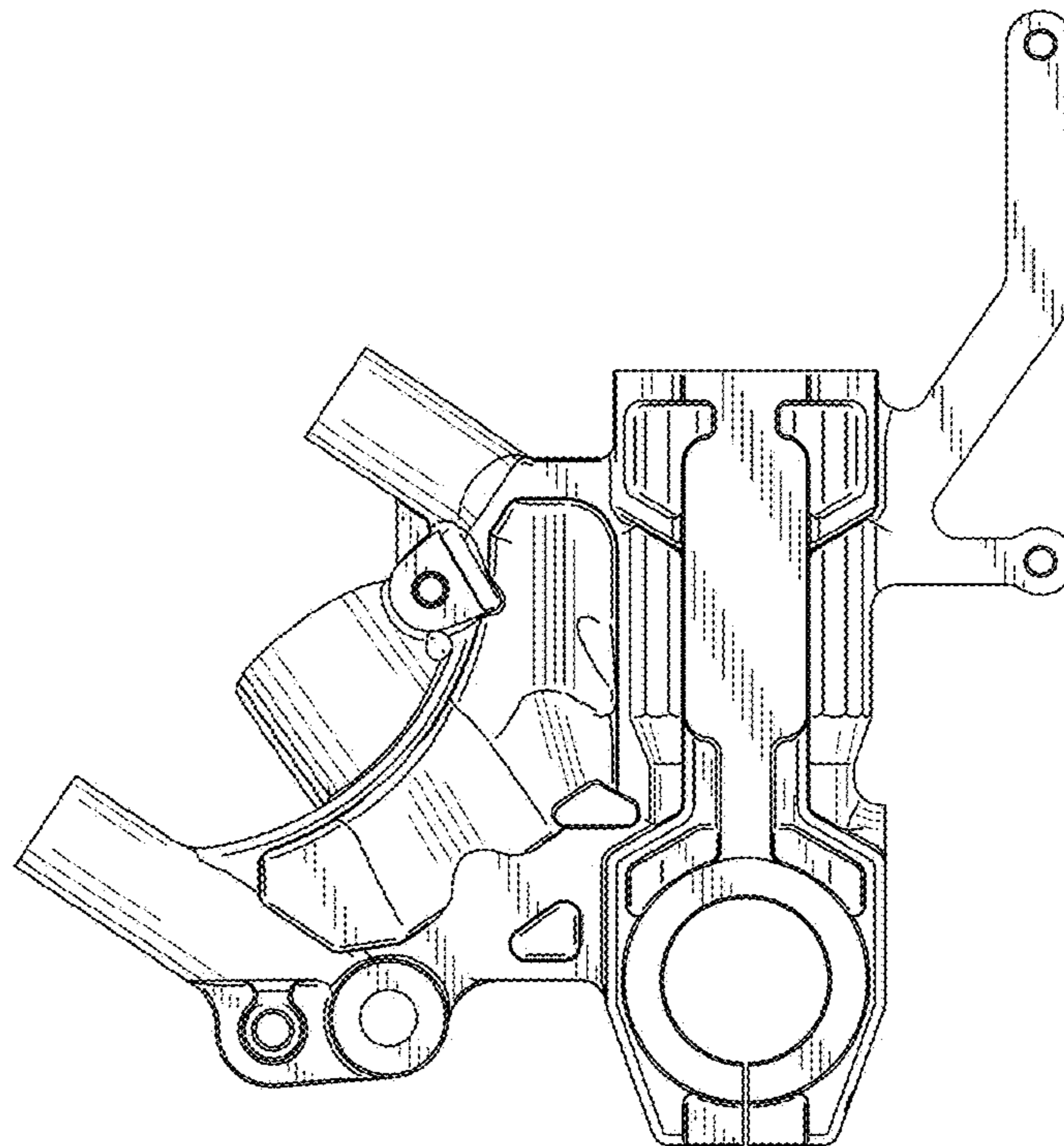


FIG. 5

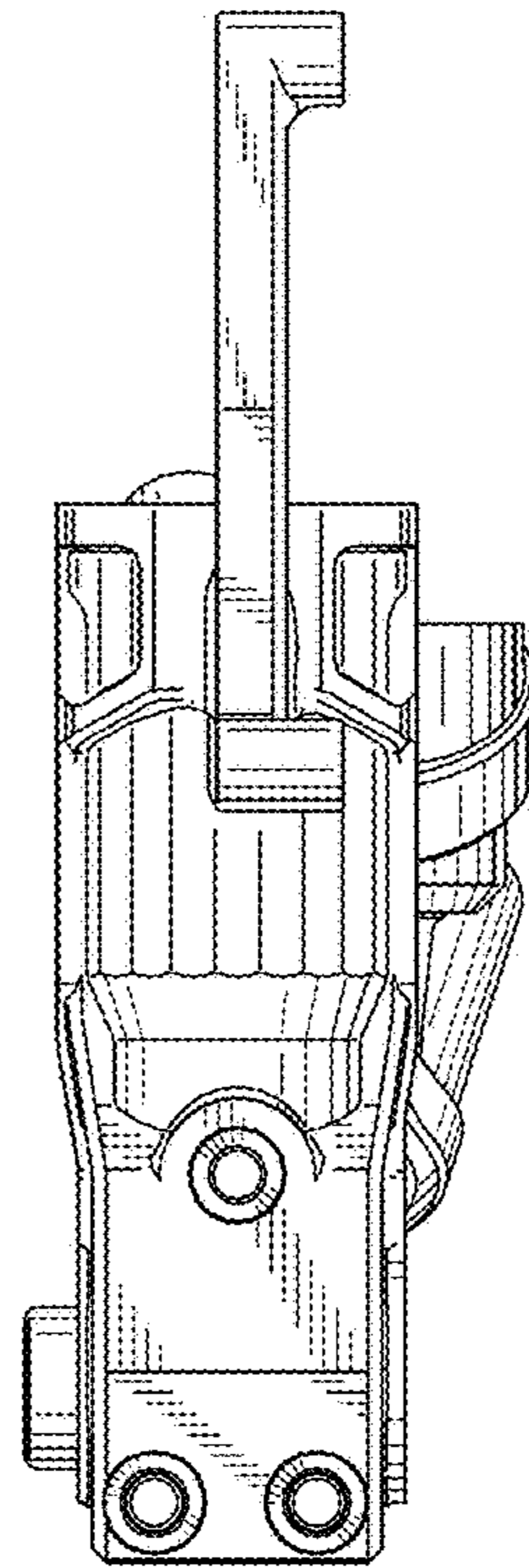


FIG. 6

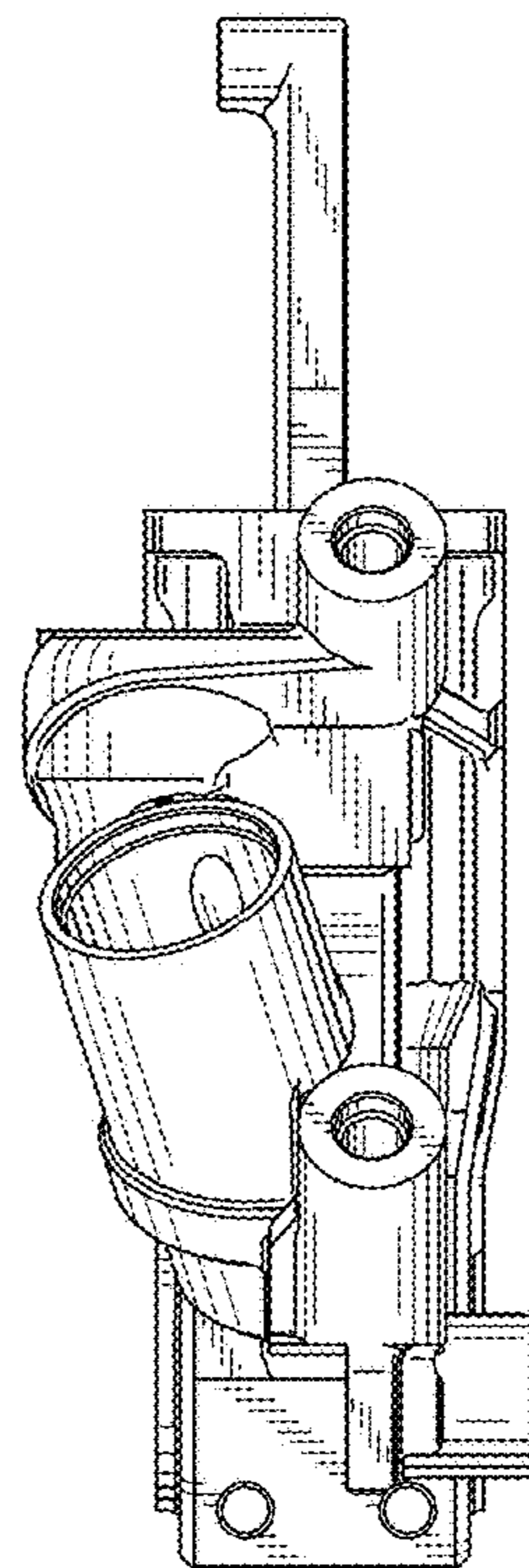


FIG. 7

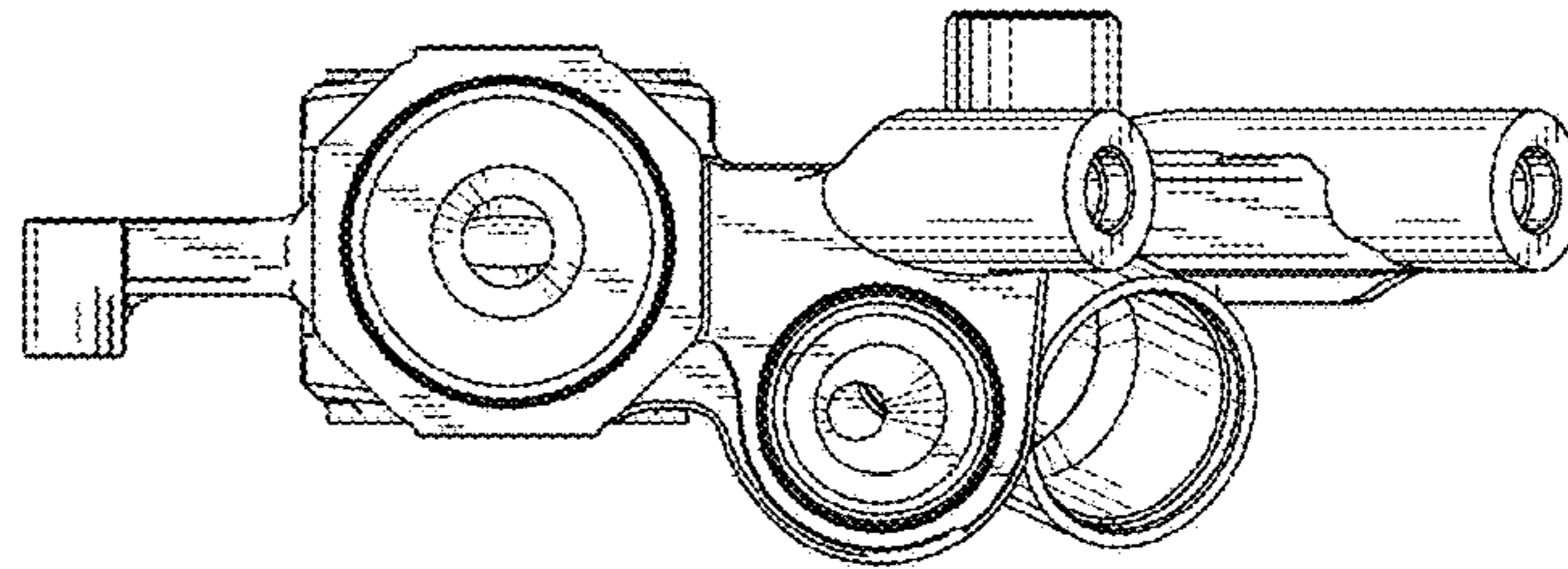


FIG. 8

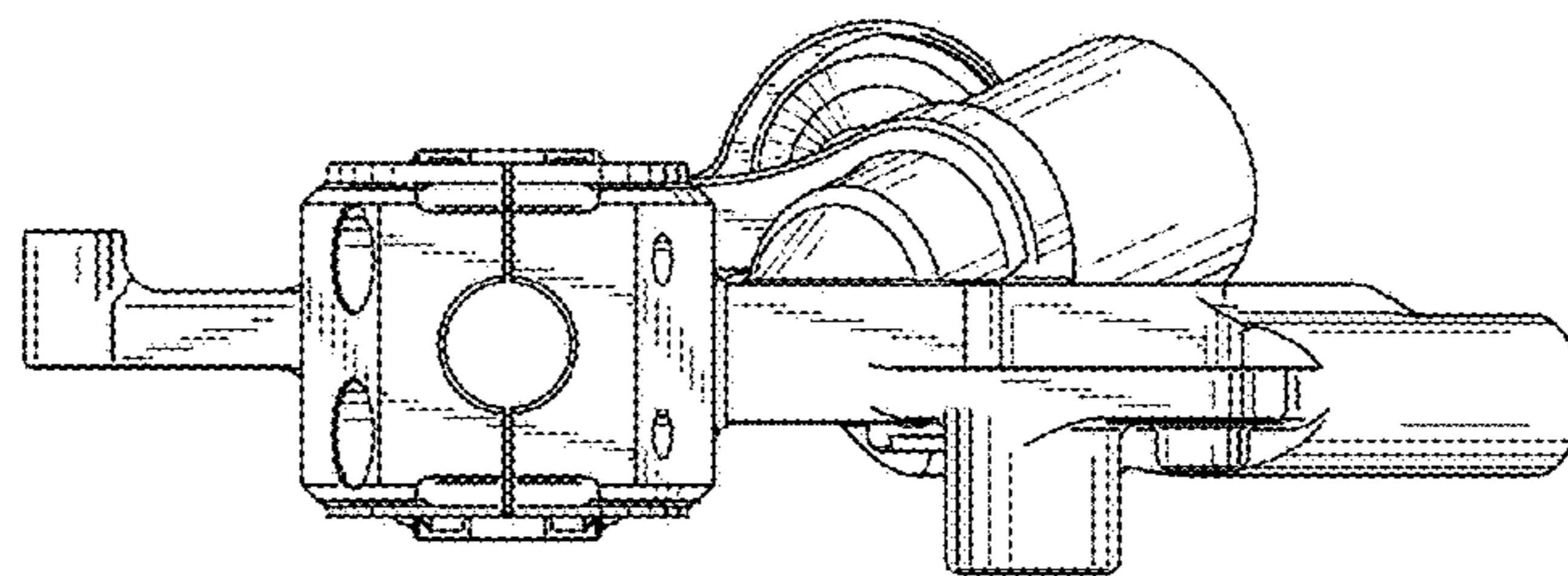


FIG. 9

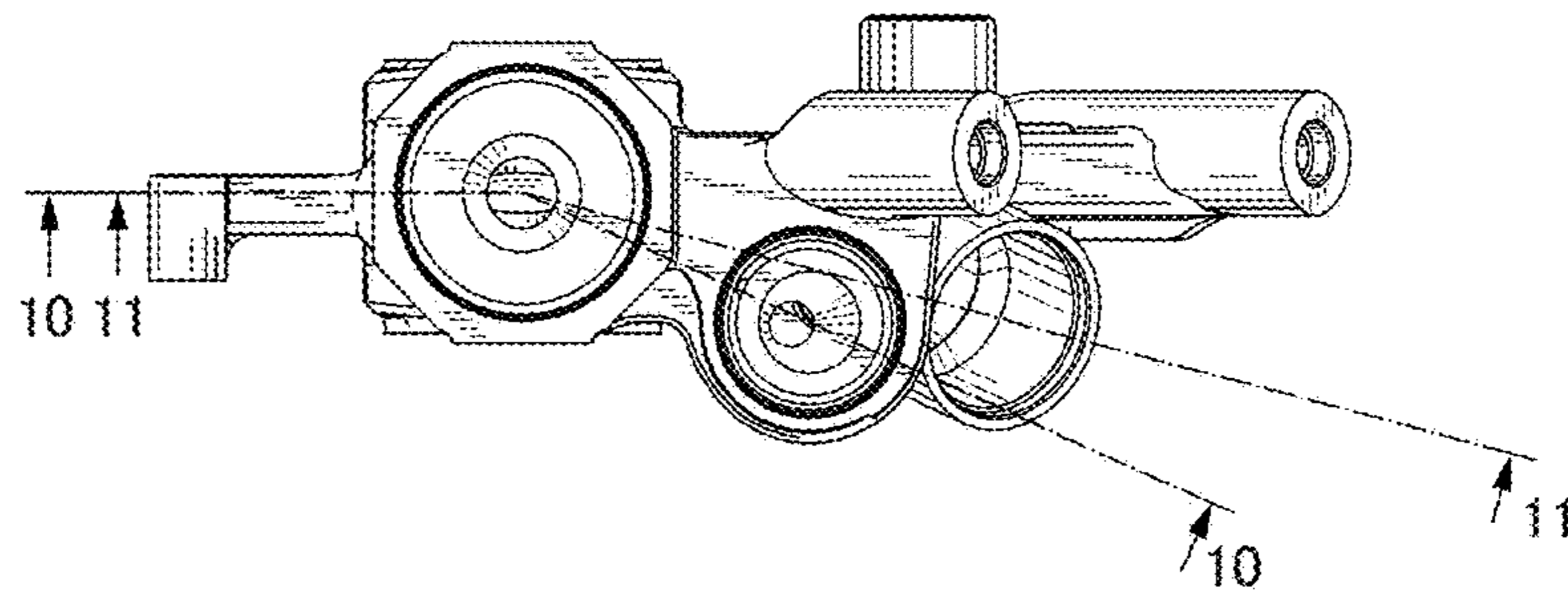


FIG. 10

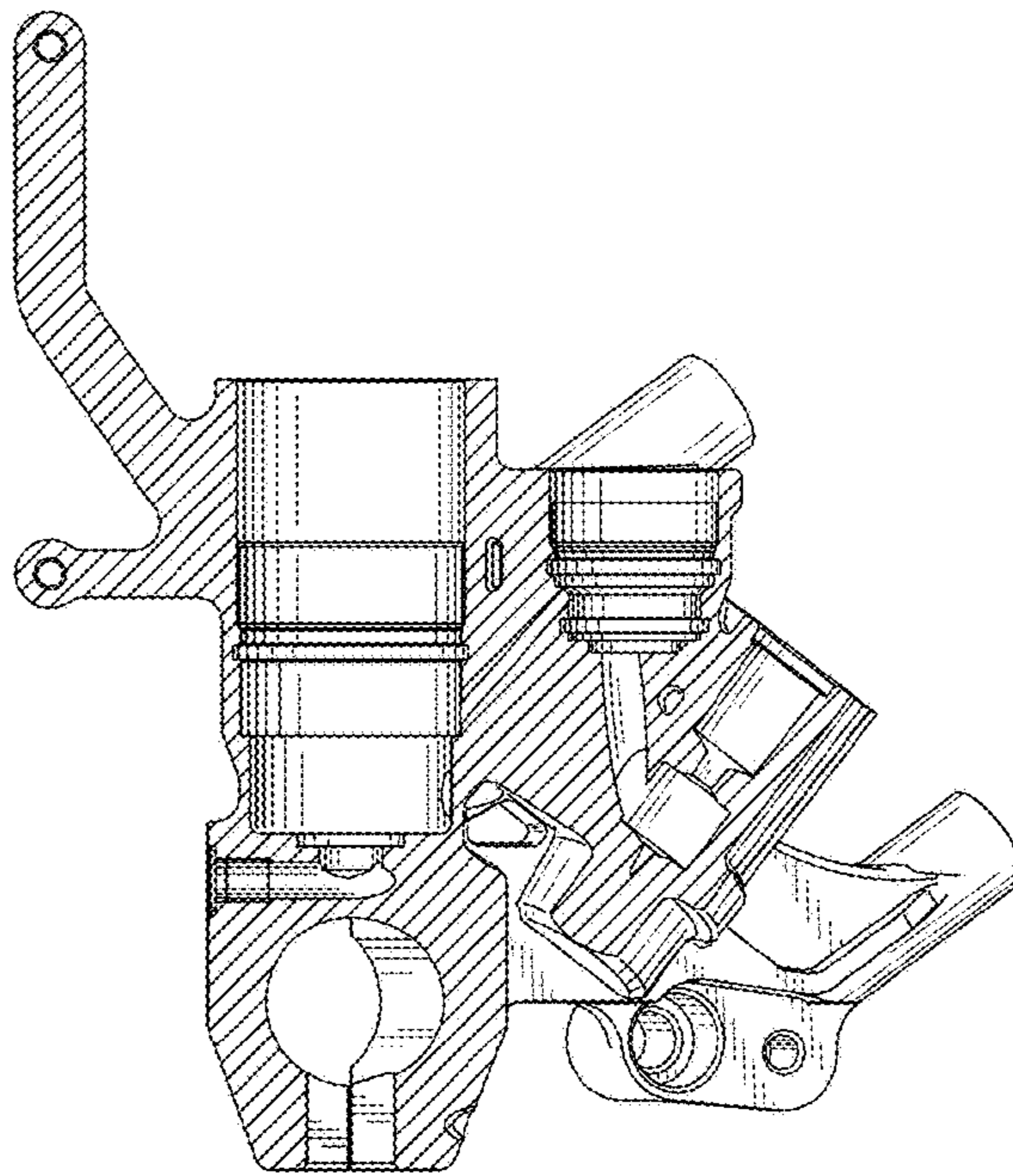


FIG. 11

