



US00D826795S

(12) **United States Design Patent**
Soliz et al.

(10) **Patent No.:** **US D826,795 S**
(45) **Date of Patent:** **** Aug. 28, 2018**

- (54) **WHEELCHAIR**
- (71) Applicant: **SOLSON ENTERPRISES, LLC**, Aliso Viejo, CA (US)
- (72) Inventors: **Andrew Soliz**, Laguna Beach, CA (US); **Karen Wilson**, Aliso Viejo, CA (US)
- (73) Assignee: **SOLSON ENTERPRISES, LLC**, Aliso Viejo, CA (US)
- (**) Term: **15 Years**
- (21) Appl. No.: **29/609,528**
- (22) Filed: **Jun. 30, 2017**
- (51) **LOC (11) Cl.** **12-12**
- (52) **U.S. Cl.**
USPC **D12/131**
- (58) **Field of Classification Search**
USPC D12/128–133
CPC A61G 5/00–5/14
See application file for complete search history.

- 6,032,975 A * 3/2000 Hanson A61G 5/00
280/250.1
- 6,419,253 B1 * 7/2002 Mascari A61G 5/1059
280/250.1
- 6,612,645 B1 * 9/2003 Hsu B62B 7/12
280/650
- D498,183 S * 11/2004 Nelson D12/128
- D559,741 S * 1/2008 Lasher, III D12/133
- D754,569 S * 4/2016 Da Cunha D12/131

* cited by examiner

Primary Examiner — Charles D Hanson

(74) *Attorney, Agent, or Firm* — Knobbe, Martens, Olson & Bear LLP

(57) **CLAIM**

We claim the ornamental design for a wheelchair, as shown and described.

DESCRIPTION

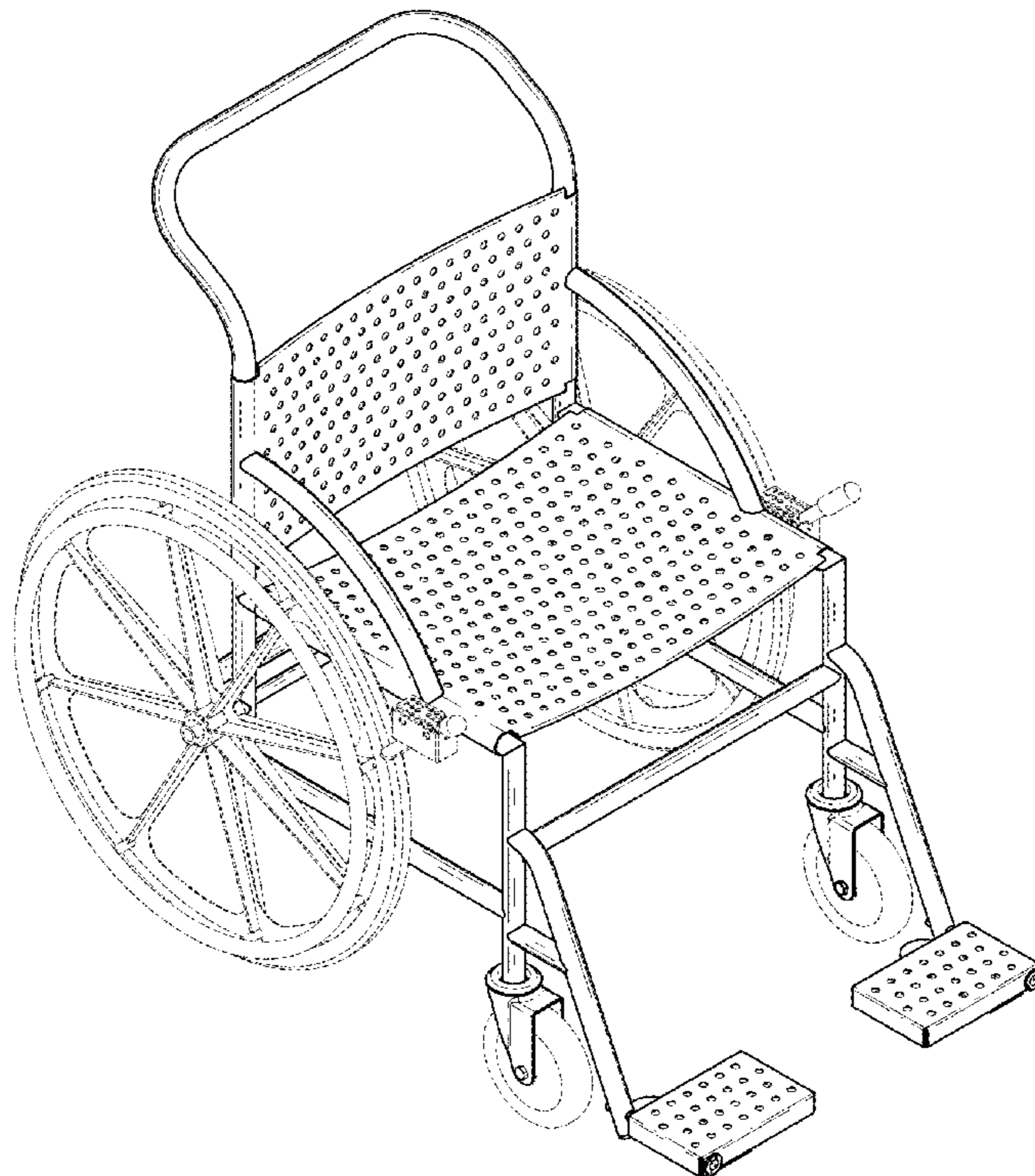
FIG. 1 is a perspective top view of a new design for a wheelchair;
 FIG. 2 is a top view thereof;
 FIG. 3 is a bottom view thereof;
 FIG. 4 is a right side view thereof;
 FIG. 5 is a left side view thereof;
 FIG. 6 is a rear view thereof;
 FIG. 7 is a front view thereof; and,
 FIG. 8 is a perspective bottom view thereof.
 The broken lines in the figures represent portions of the article which form no part of the claim.

1 Claim, 7 Drawing Sheets

(56) **References Cited**

U.S. PATENT DOCUMENTS

- 5,267,745 A * 12/1993 Robertson A61G 5/00
280/250.1
- D359,260 S * 6/1995 Shriven D12/131
- D365,786 S * 1/1996 Peterson D12/131
- 5,524,971 A * 6/1996 Jay A47C 7/022
297/354.12



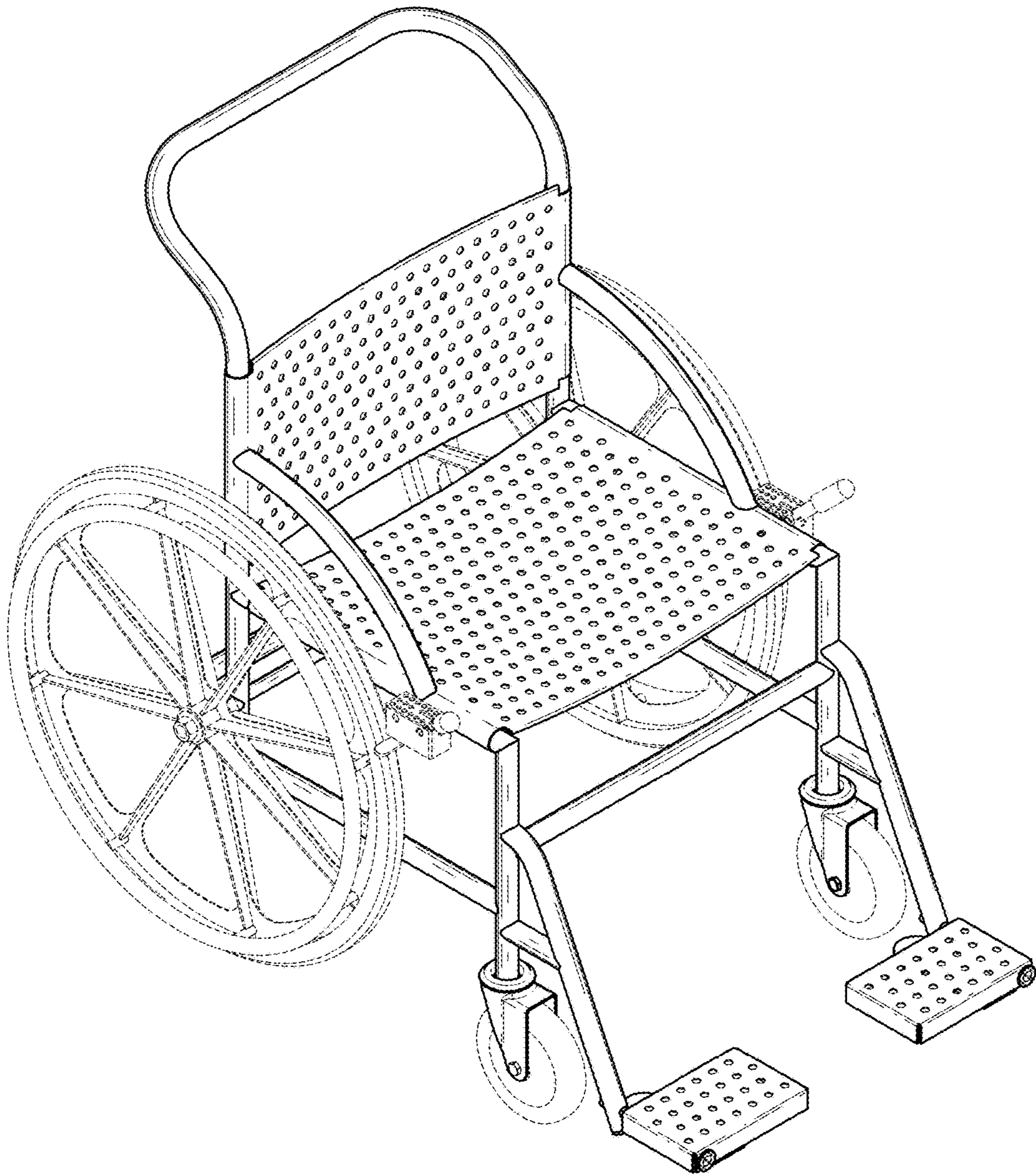


FIG. 1

FIG. 2

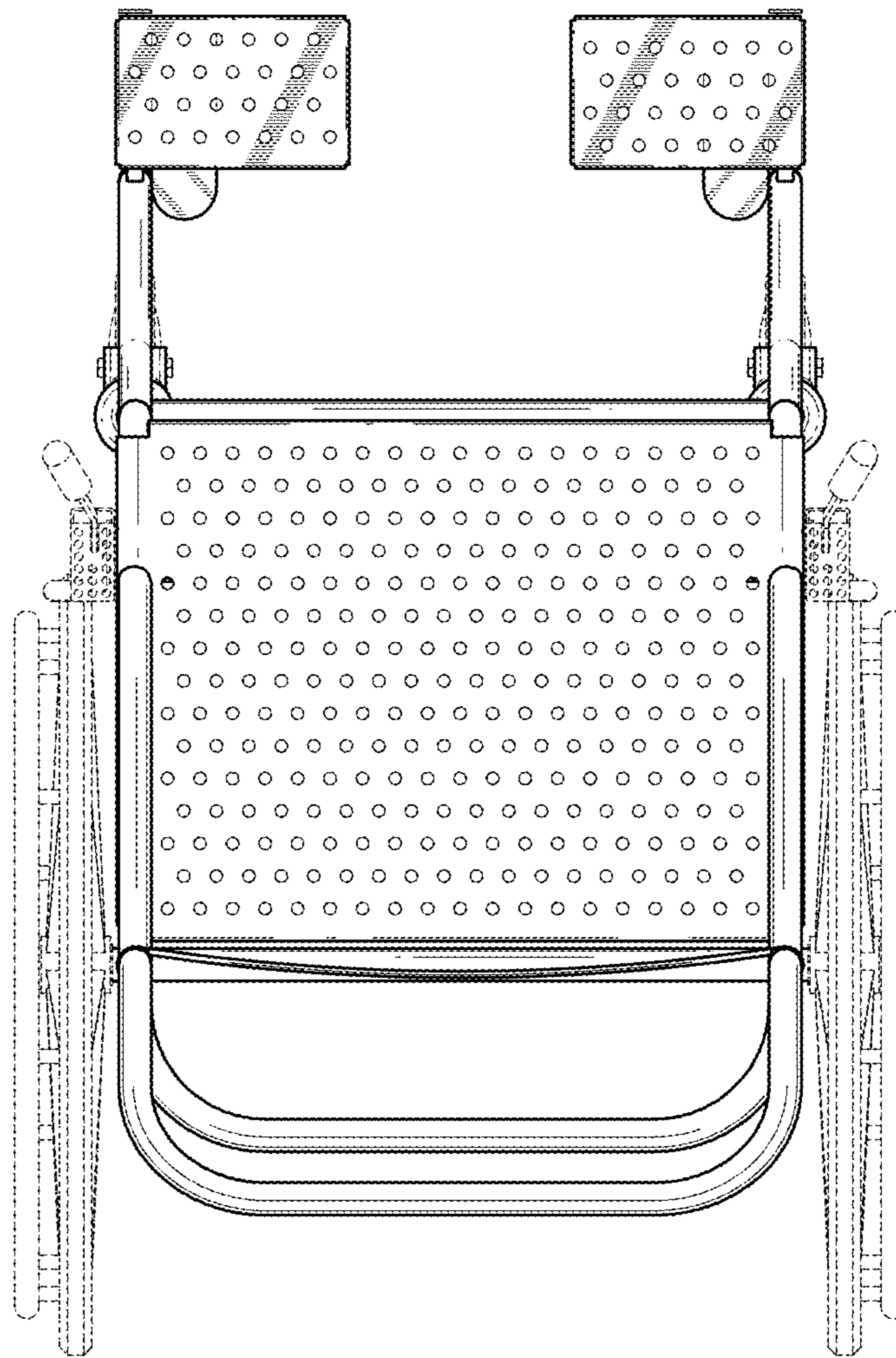


FIG. 3

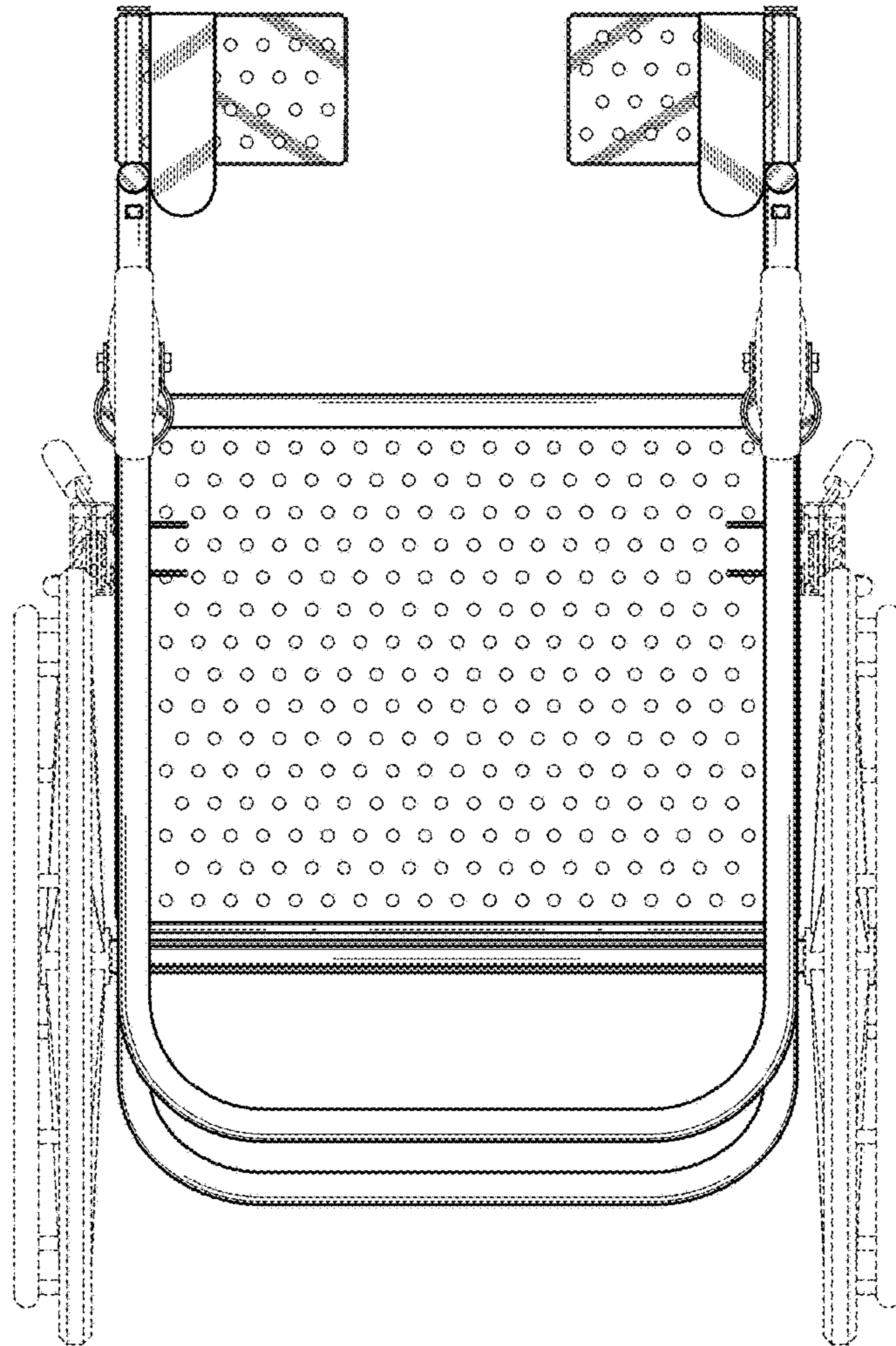


FIG. 4

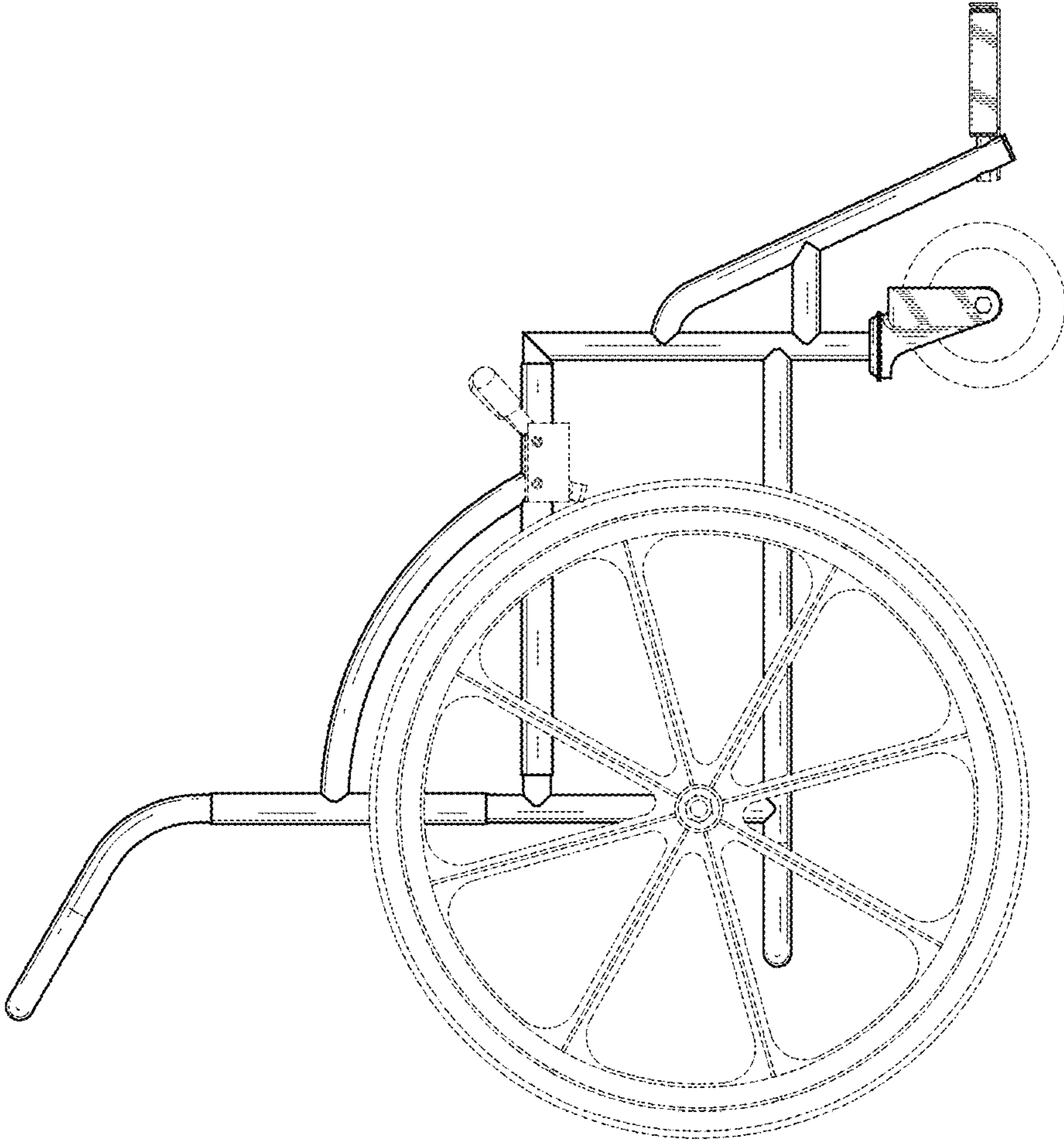


FIG. 5

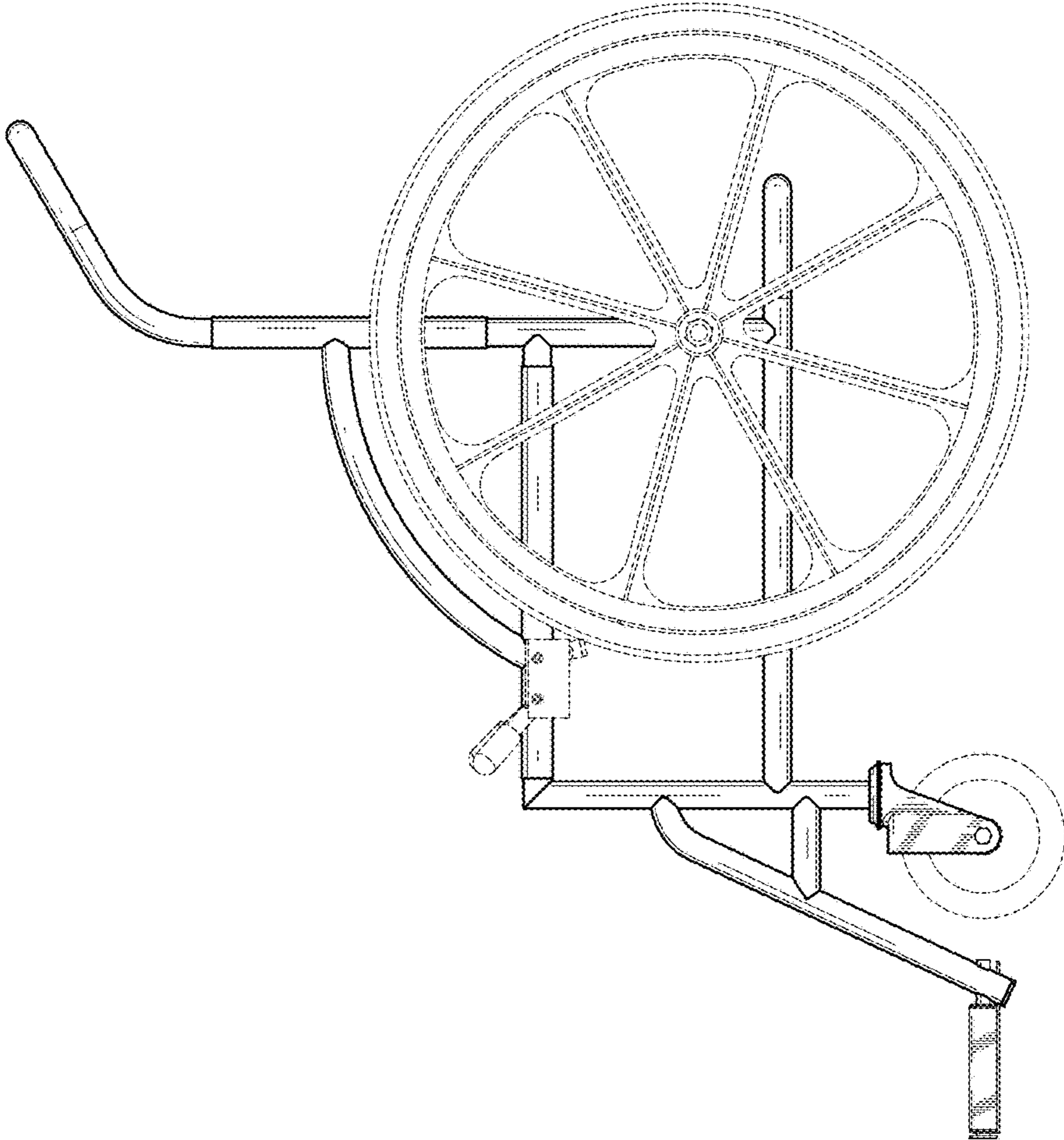


FIG. 7

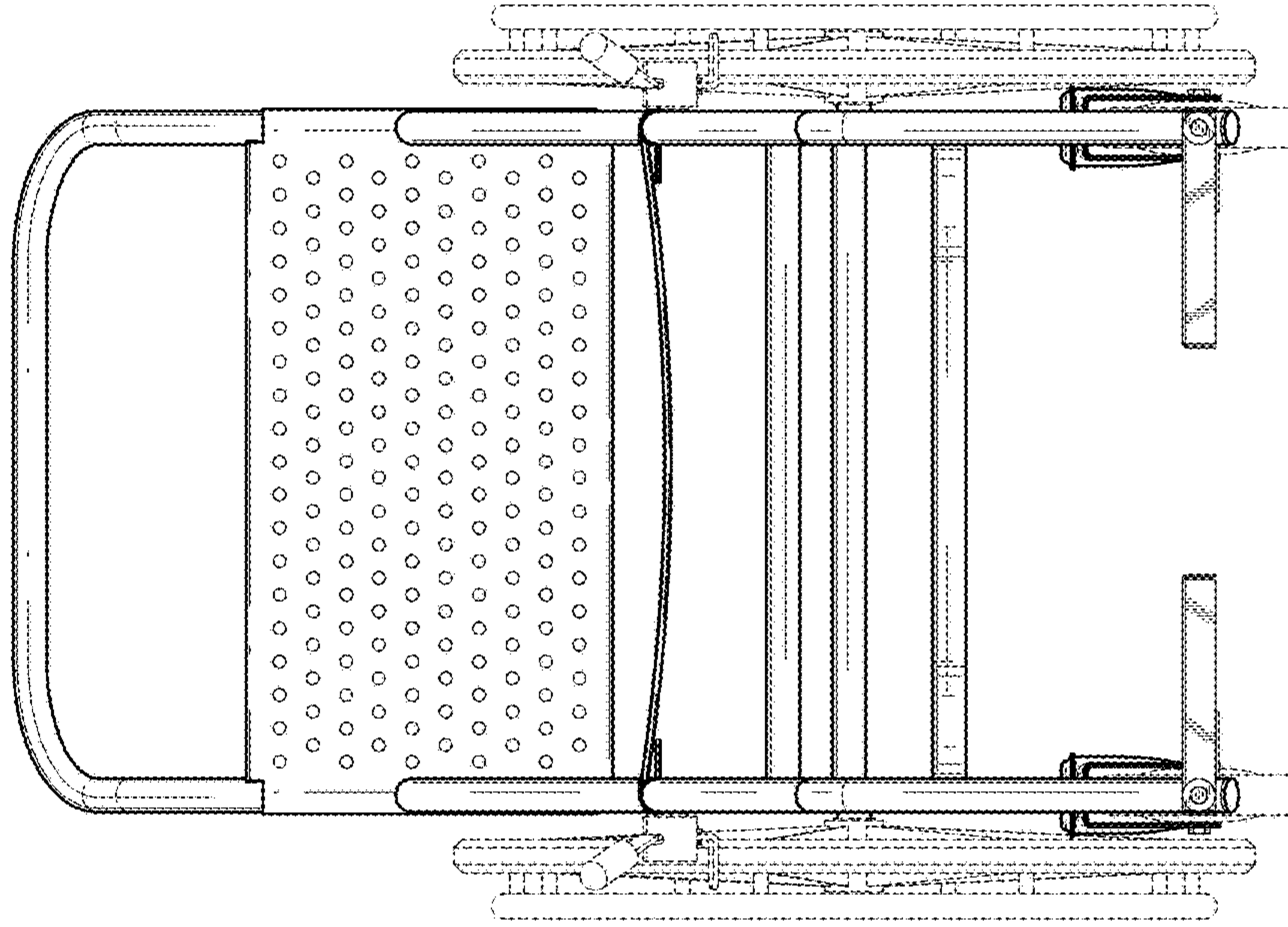
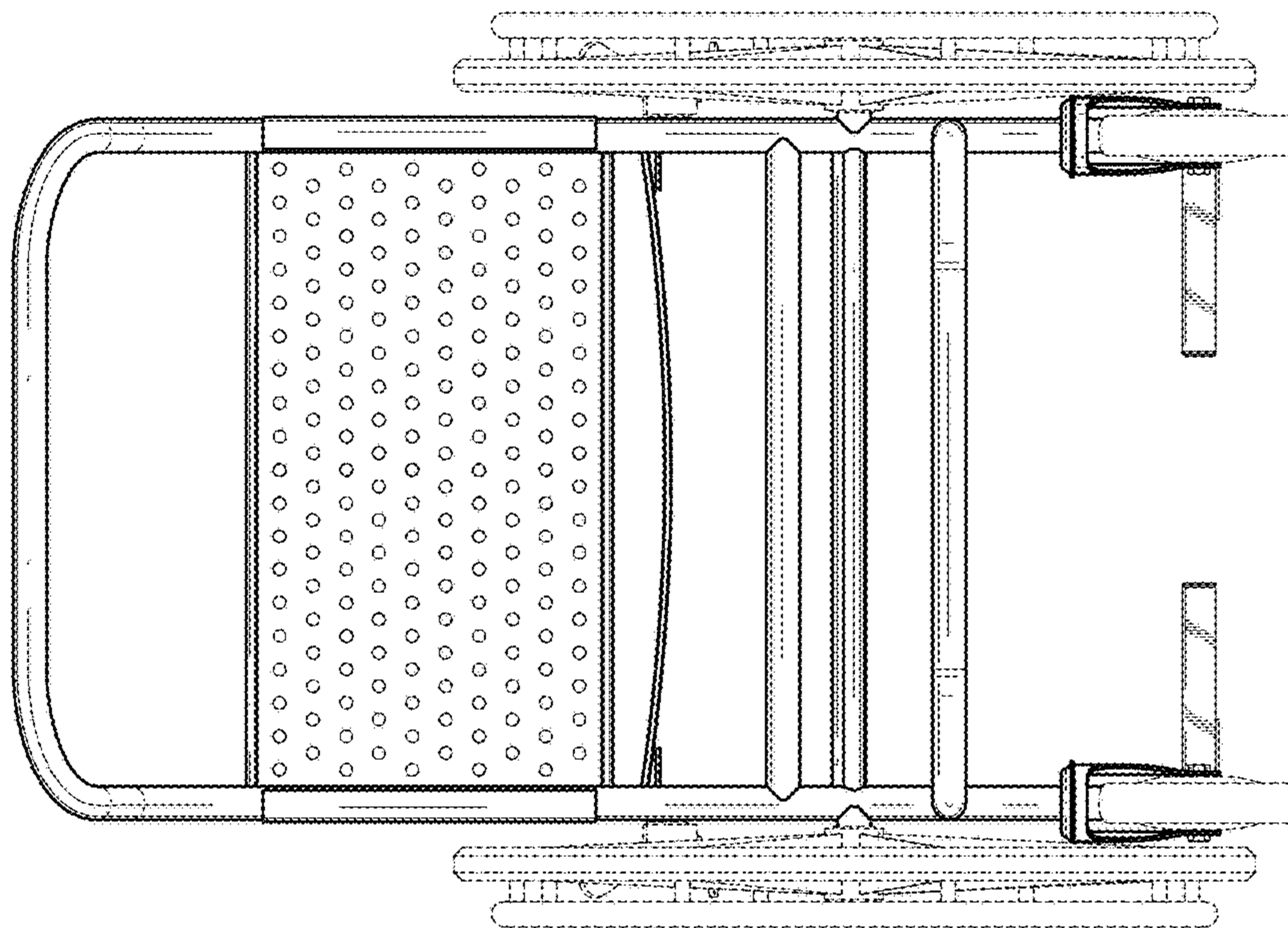


FIG. 6



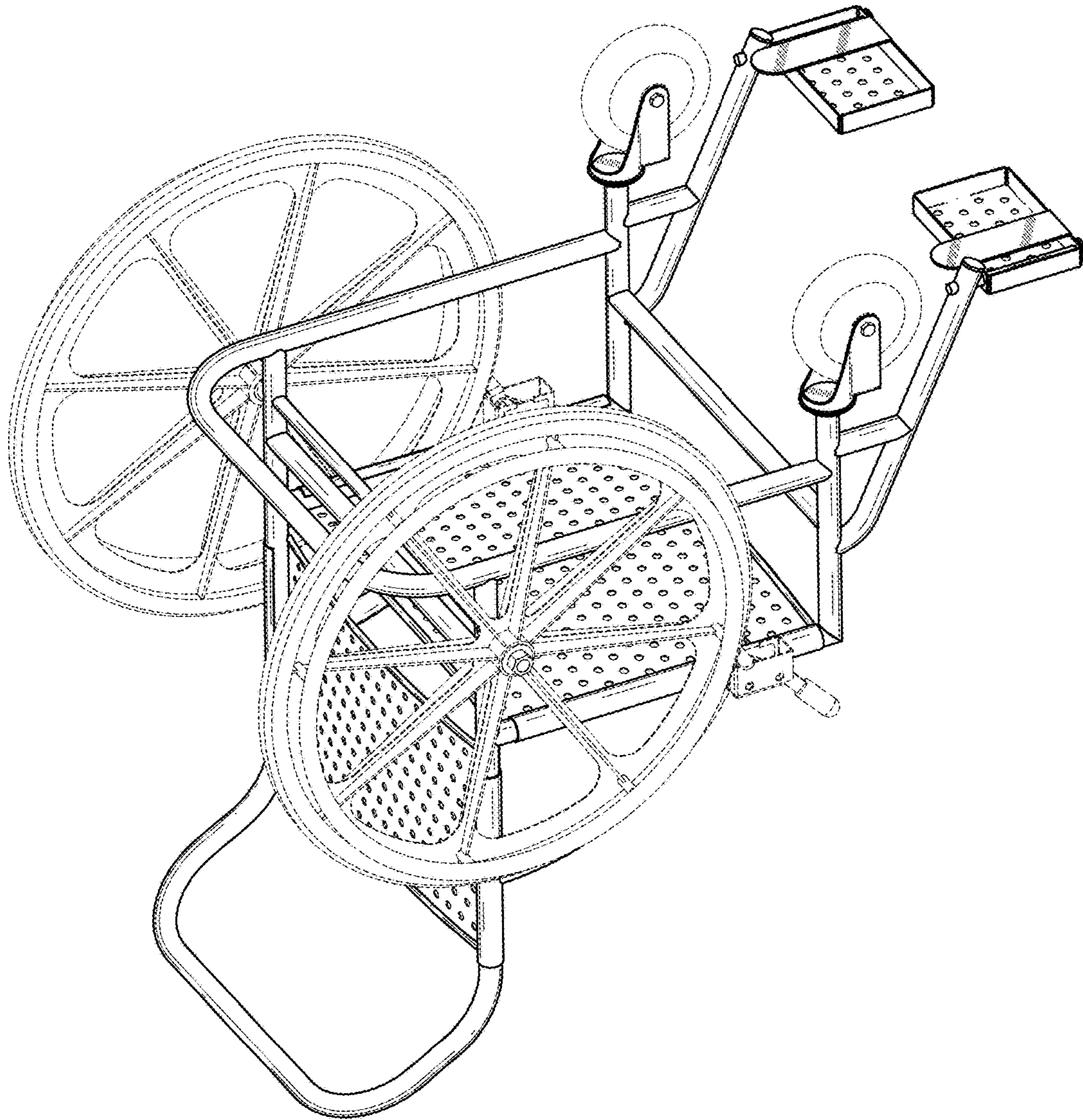


FIG. 8