



US00D826794S

(12) **United States Design Patent** (10) **Patent No.:** **US D826,794 S**
Walker et al. (45) **Date of Patent:** **** Aug. 28, 2018**

(54) **STROLLER FRAME**

(56) **References Cited**

U.S. PATENT DOCUMENTS

(71) Applicant: **ICANDY WORLD LIMITED**,
Biggleswade (GB)

(72) Inventors: **Paul Walker**, Rickmansworth (GB);
Warren Appel, Biggleswade (GB);
Stuart Cole, Cardiff (GB)

(73) Assignee: **iCandy World Limited**, Bedfordshire
(GB)

(**) Term: **15 Years**

D566,013	S	*	4/2008	Wang	D12/129
D572,175	S	*	7/2008	Lai	D12/129
D601,467	S	*	10/2009	Karremans	D12/129
D643,343	S	*	8/2011	Song	D12/129
D643,786	S	*	8/2011	Barenbrug	D12/129
D671,040	S	*	11/2012	Lin	D12/129
D693,743	S	*	11/2013	Slotteroy	D12/129
D699,159	S	*	2/2014	Slotteroy	D12/129
D733,617	S	*	7/2015	Angelfoss	D12/129
D737,733	S	*	9/2015	Zhong	D12/129
D747,669	S	*	1/2016	Cheng	D12/129
9,308,929	B1	*	4/2016	Dowd	B62B 7/062
2015/0375766	A1	*	12/2015	Taylor	B62B 7/142 280/647

(21) Appl. No.: **35/502,110**

* cited by examiner

(22) Filed: **Sep. 2, 2016**

Primary Examiner — Darlington Ly
 (74) *Attorney, Agent, or Firm* — Law Offices of Damon
 L. Boyd, PLLC

(80) **Hague Agreement Data**

Int. Filing Date: **Sep. 2, 2016**
 Int. Reg. No.: **DM/093696**
 Int. Reg. Date: **Sep. 2, 2016**
 Int. Reg. Pub. Date: **Dec. 16, 2016**

(57) **CLAIM**

The ornamental design for a stroller frame, as shown and described.

(51) **LOC (11) Cl.** **12-12**

(52) **U.S. Cl.**
USPC **D12/129**

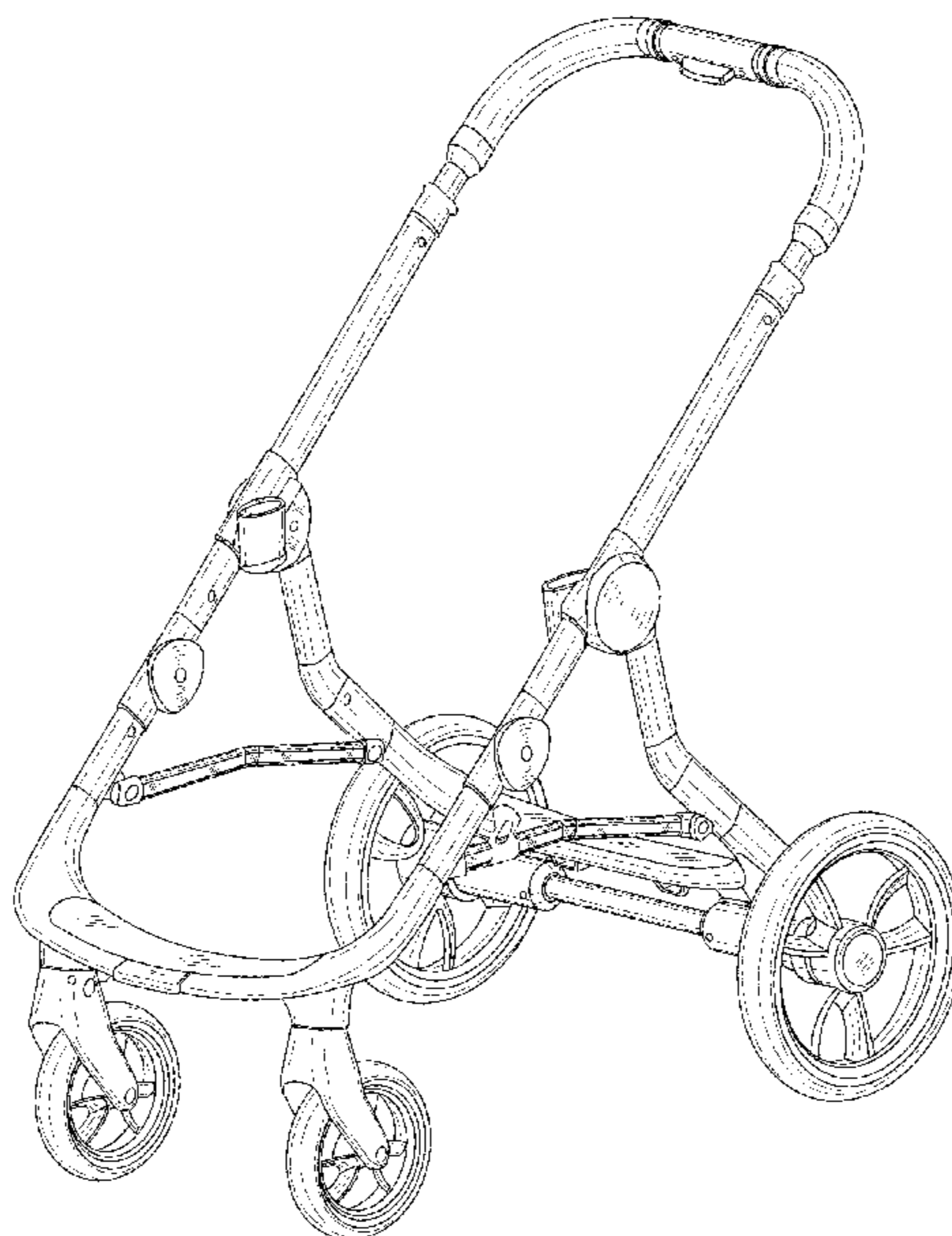
(58) **Field of Classification Search**
 USPC D12/128–130
 CPC B62B 7/00; B62B 7/04; B62B 7/06; B62B
 7/062; B62B 9/00; B62B 9/02; B62B
 9/04; B62B 9/08; B62B 9/10; B62B 9/12;
 B62B 9/14; B62B 9/16; B62B 9/18;
 B62B 9/20; B62B 9/22; B62B 9/24;
 B62B 9/26

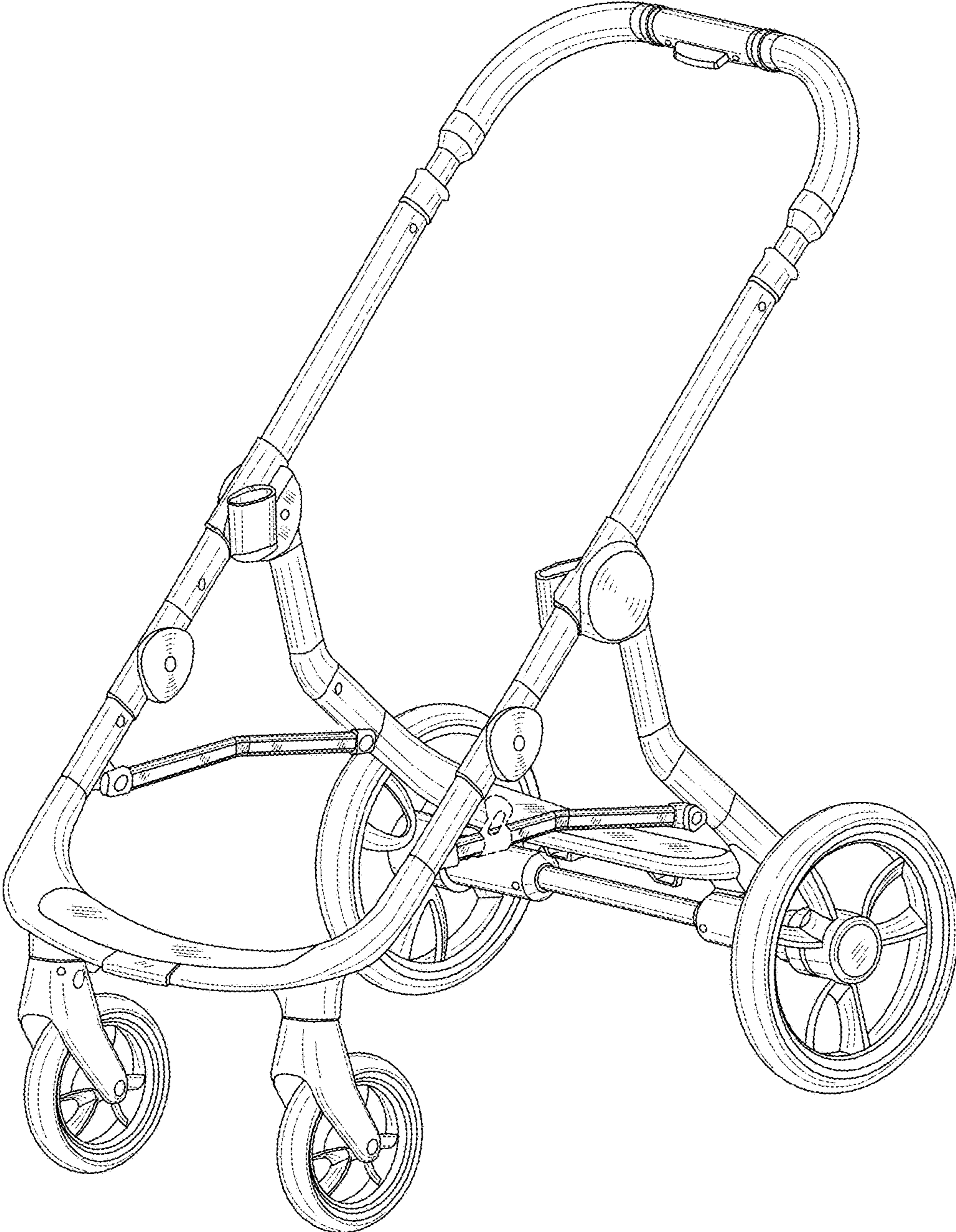
DESCRIPTION

1. Stroller Frame
 1.1 is a front and right side perspective view of a stroller frame showing our new design;
 1.2 is a left side elevation view thereof;
 1.3 is a right side elevation view thereof;
 1.4 is a front elevation view thereof;
 1.5 is a rear elevation view thereof; and
 1.6 is a top plan elevation view thereof.
 The broken lines in the reproductions illustrate portions of the stroller frame that form no part of the claimed design.

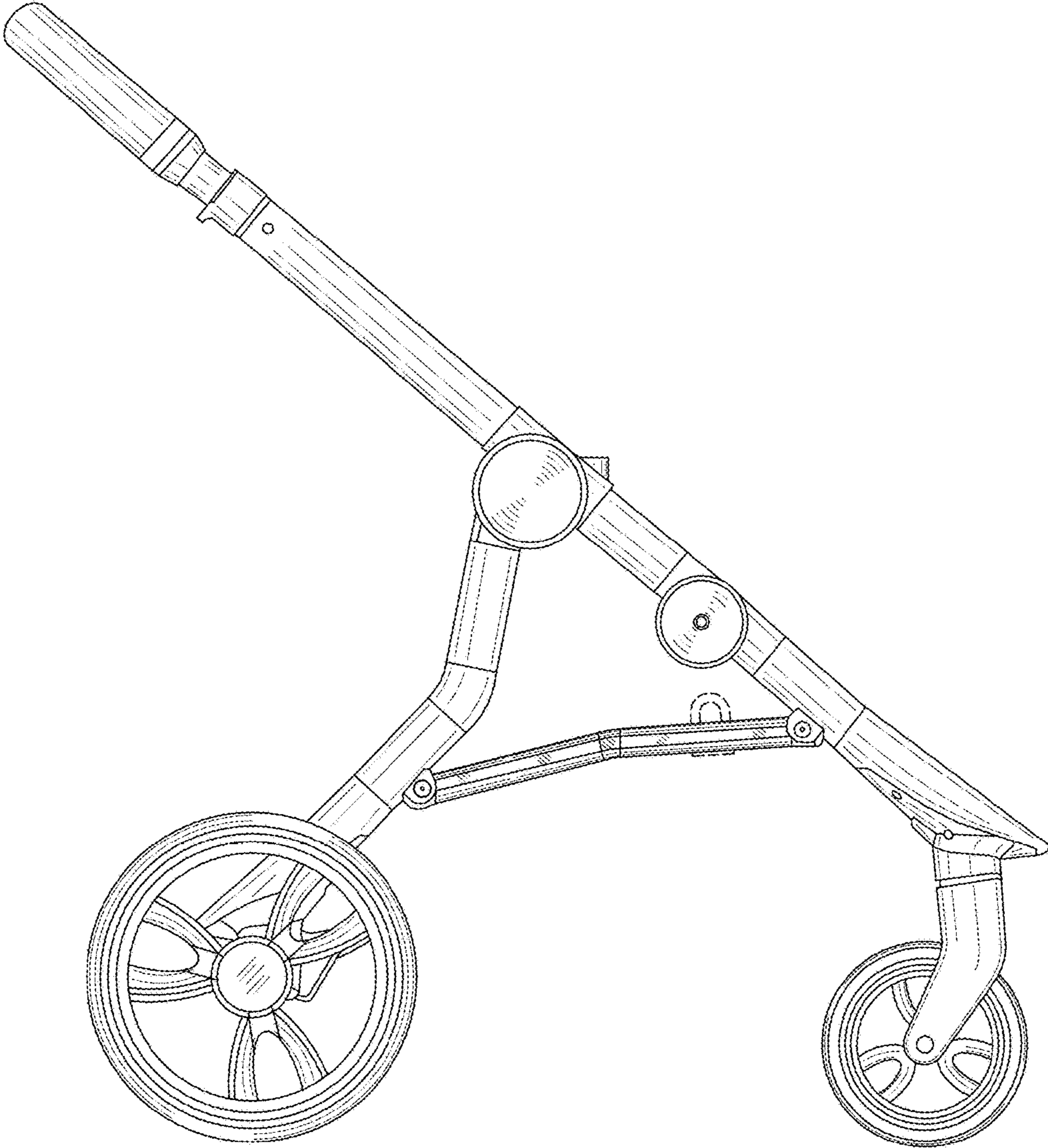
See application file for complete search history.

1 Claim, 6 Drawing Sheets

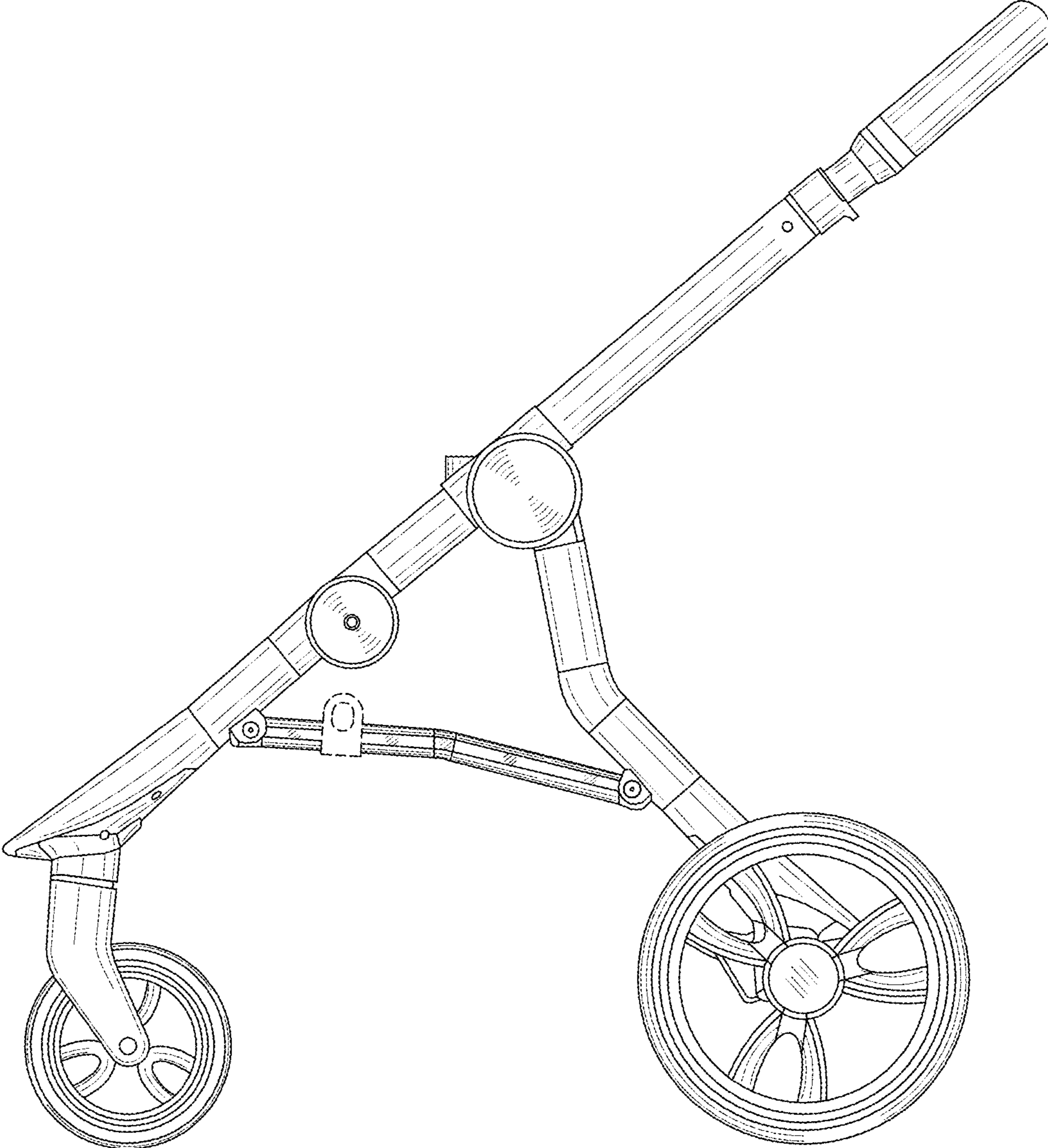




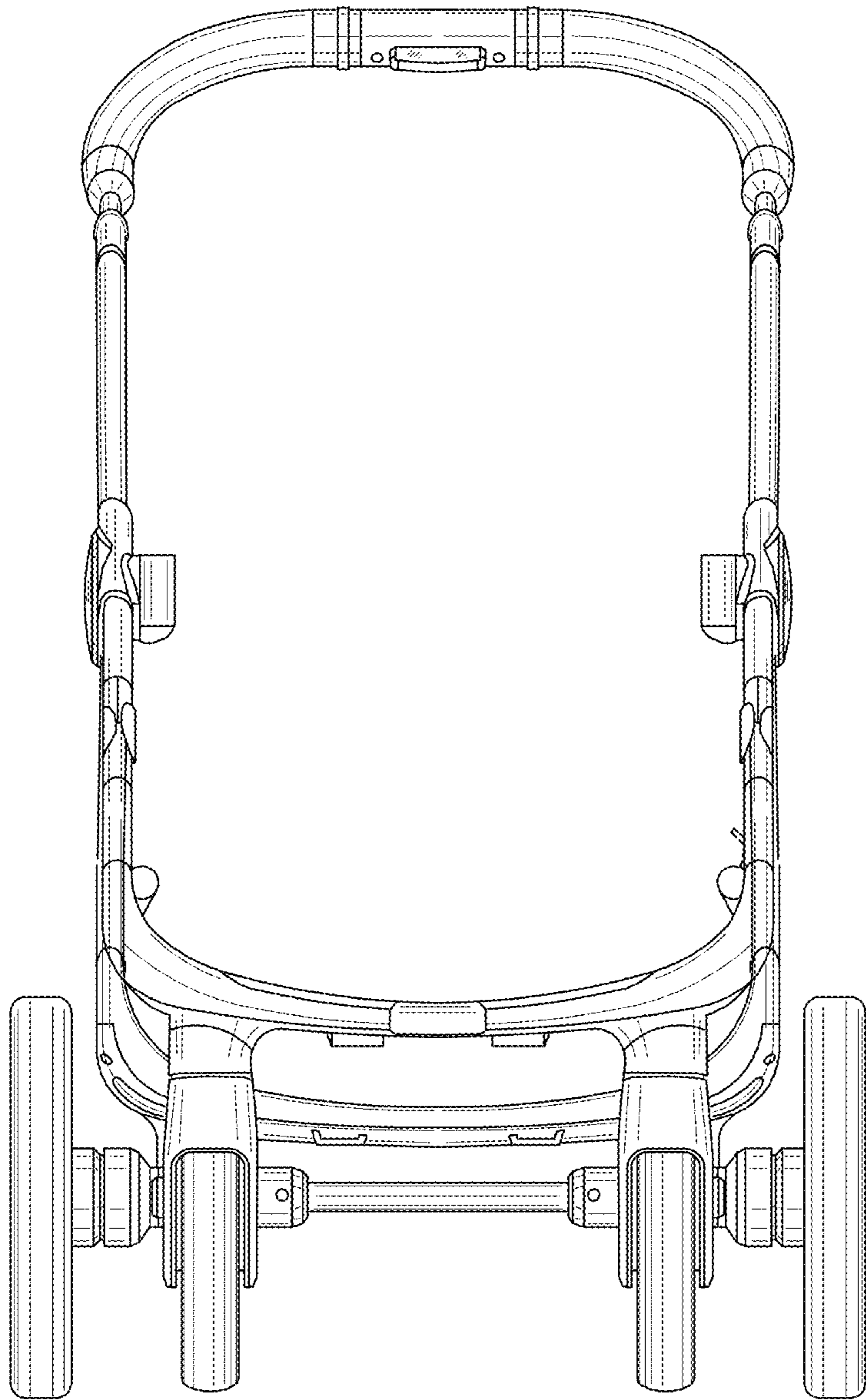
1.1



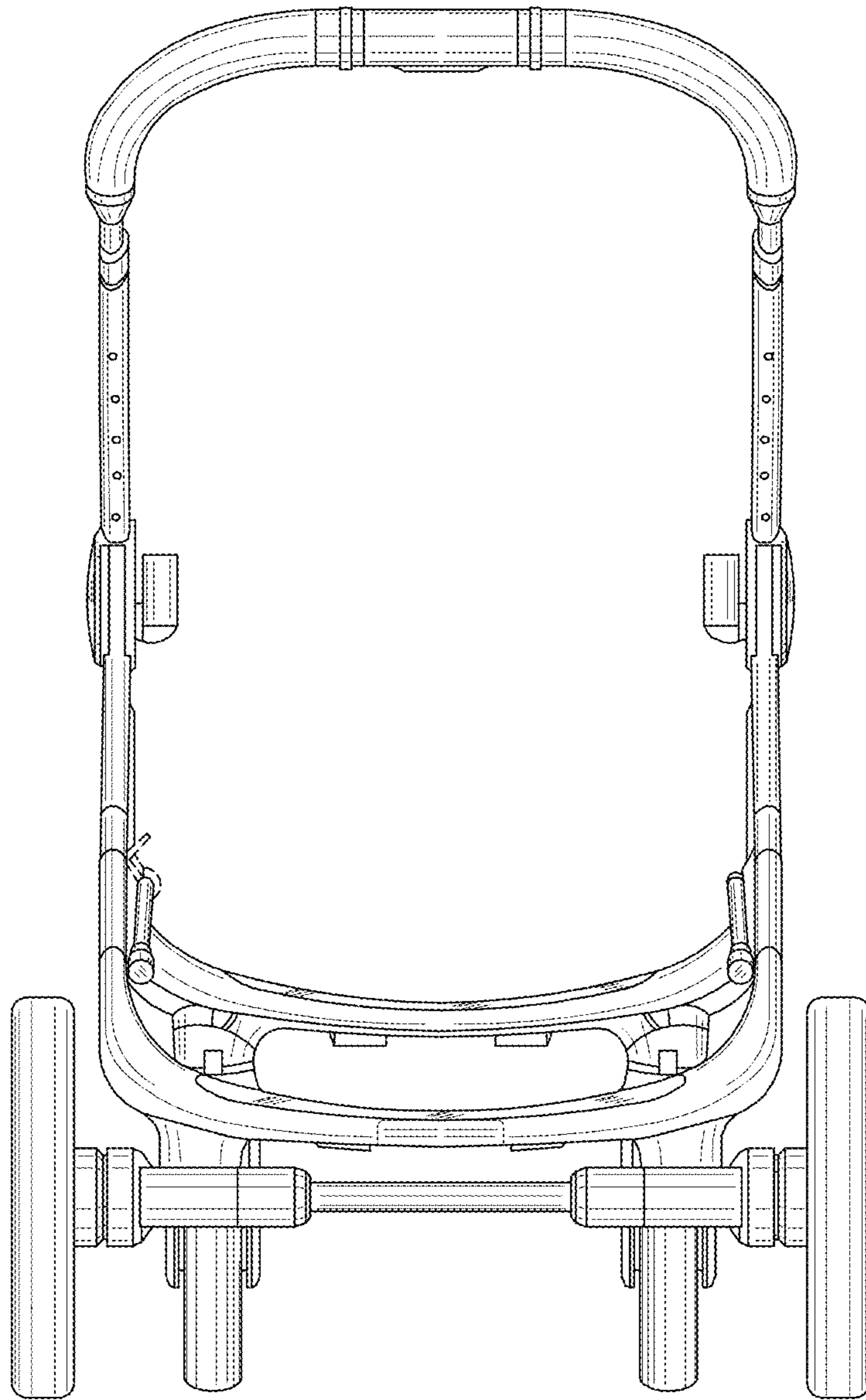
1.2



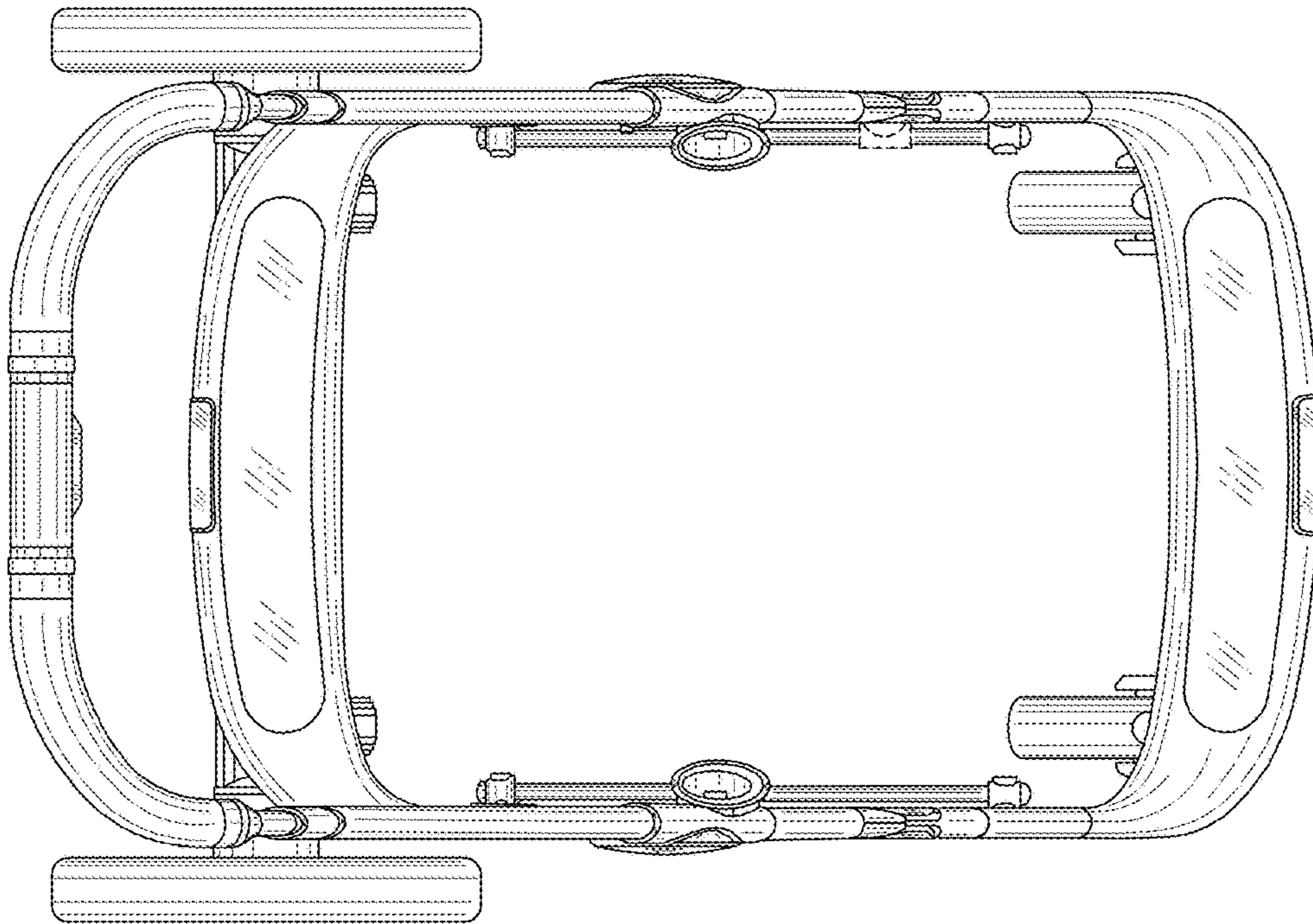
1.3



1.4



1.5



1.6