



US00D826792S

(12) **United States Design Patent** (10) **Patent No.:** **US D826,792 S**
Kim et al. (45) **Date of Patent:** **** Aug. 28, 2018**

(54) **TELEVISION RECEIVER**

(56) **References Cited**

(71) Applicant: **LG ELECTRONICS INC.**, Seoul (KR)

U.S. PATENT DOCUMENTS

(72) Inventors: **Hyungwon Kim**, Seoul (KR); **Jeongrok Lee**, Seoul (KR); **Chulhee Lim**, Seoul (KR); **Byungmu Huh**, Seoul (KR)

D691,571 S *	10/2013	Park	D14/126
D729,755 S *	5/2015	McManigal	D14/126
D733,083 S *	6/2015	Hwangbo	D14/126
D749,532 S *	2/2016	McManigal	D14/126
D783,555 S *	4/2017	Cho	D14/126
D785,581 S *	5/2017	McManigal	D14/126
D786,812 S *	5/2017	McManigal	D14/126
D786,813 S *	5/2017	McManigal	D14/126
D787,462 S *	5/2017	Shiono	D14/126
D796,464 S *	9/2017	Kim	D14/126
D805,048 S *	12/2017	Lim	D14/126
D806,667 S *	1/2018	Lee	D14/126

(73) Assignee: **LG ELECTRONICS INC.**, Seoul (KR)

(**) Term: **15 Years**

* cited by examiner

(21) Appl. No.: **35/503,149**

Primary Examiner — Michael Aaron Pratt

(22) Filed: **Dec. 12, 2016**

(74) *Attorney, Agent, or Firm* — Birch, Stewart, Kolasch & Birch, LLP

(80) **Hague Agreement Data**

Int. Filing Date: **Dec. 12, 2016**
Int. Reg. No.: **DM/093970**
Int. Reg. Date: **Dec. 12, 2016**
Int. Reg. Pub. Date: **Jun. 16, 2017**

(57) **CLAIM**

The ornamental design for television receiver, as shown and described.

(30) **Foreign Application Priority Data**

Jun. 14, 2016 (KR) 30-2016-0028727

DESCRIPTION

(51) **LOC (11) Cl.** **14-03**

(52) **U.S. Cl.**
USPC **D12/126**

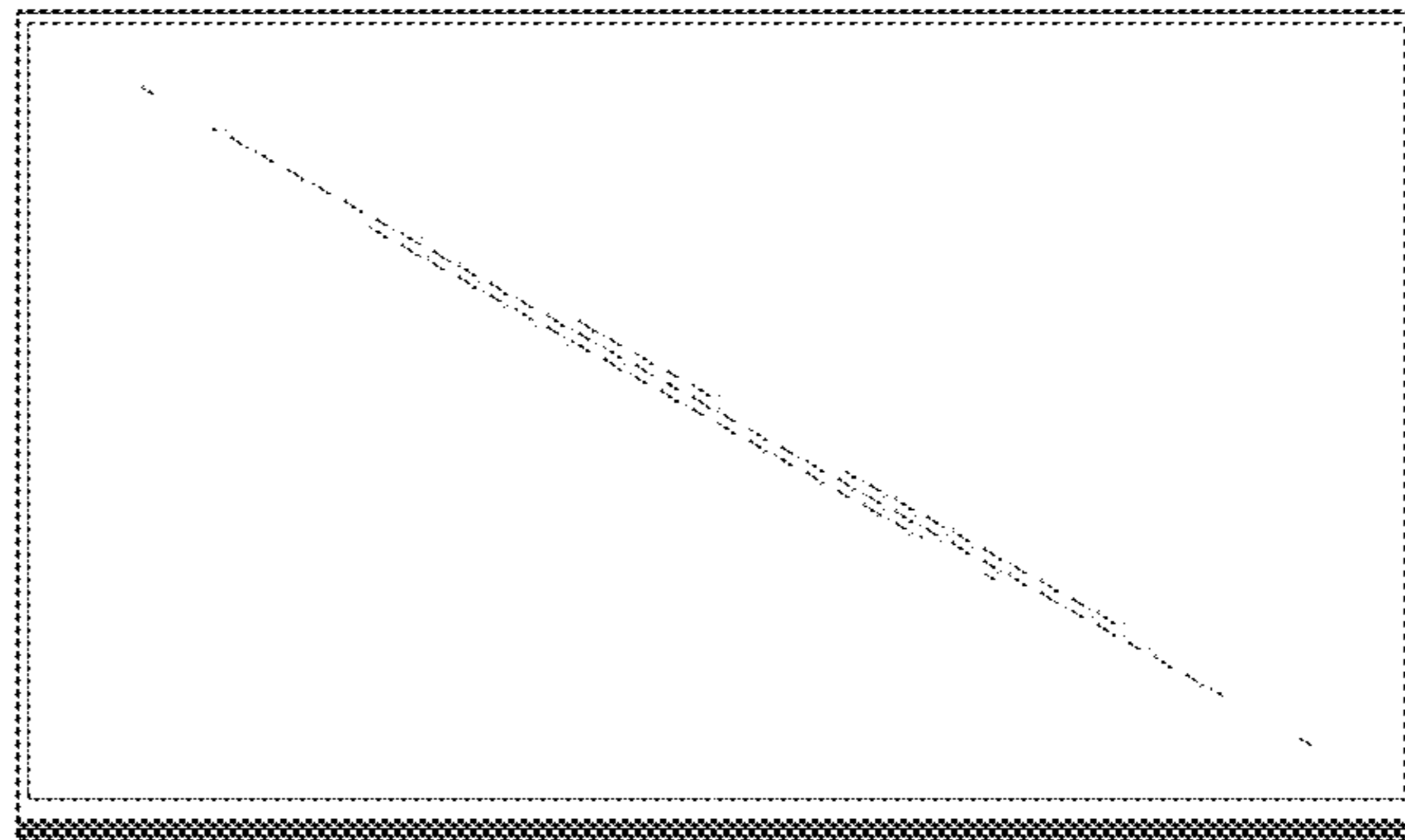
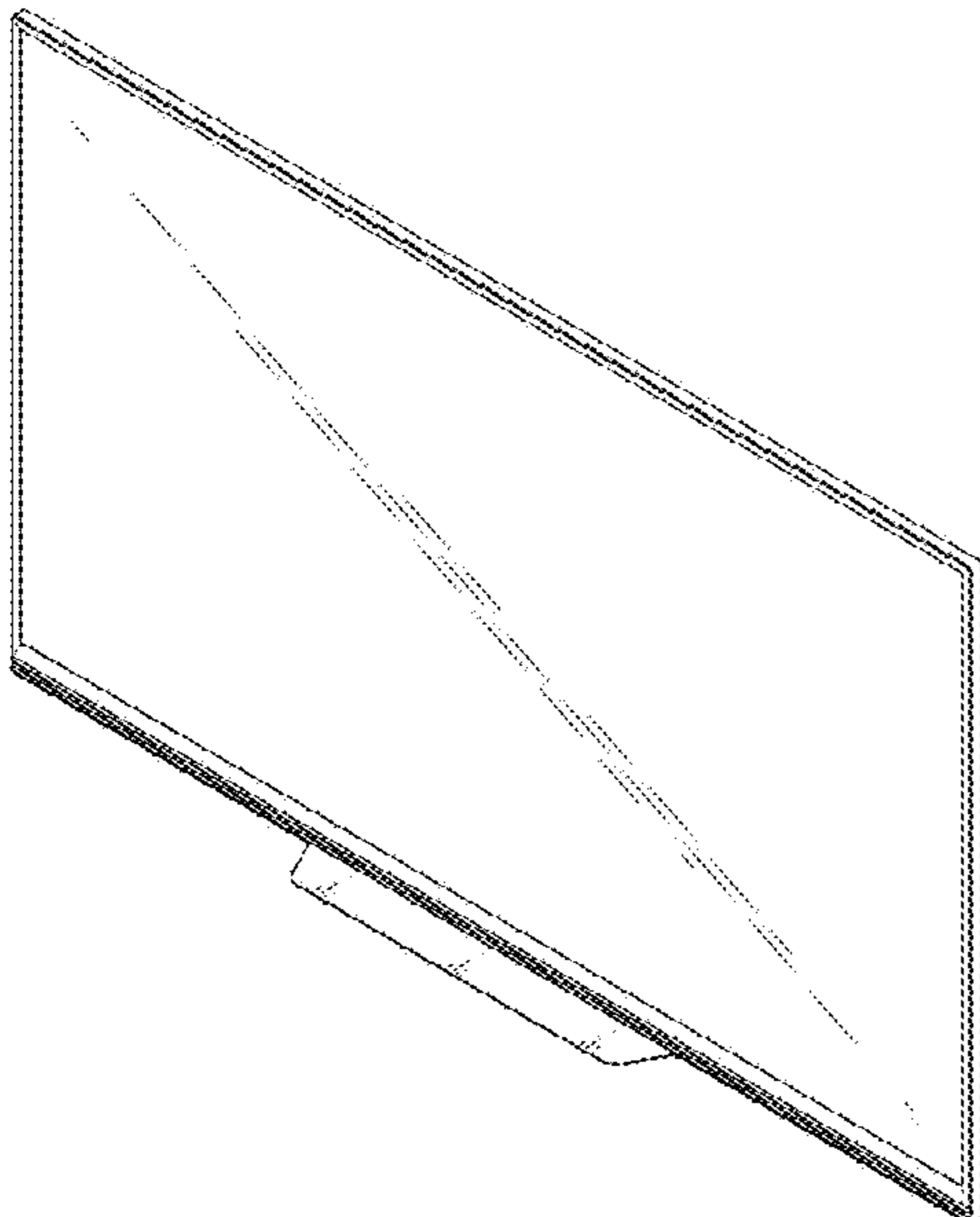
(58) **Field of Classification Search**
USPC D14/126, 127, 128, 336, 448
CPC .. H05K 5/0017; H05K 5/0204; G06F 1/1692;
G06F 1/165; G06F 1/1601; G06F 1/1637;
H04N 5/64

- 1. Television receiver
- 1.1 : Perspective
- 1.2 : Rear perspective view
- 1.3 : Front
- 1.4 : Back
- 1.5 : Left
- 1.6 : Right
- 1.7 : Top
- 1.8 : Bottom
- 1.9 : Enlarged

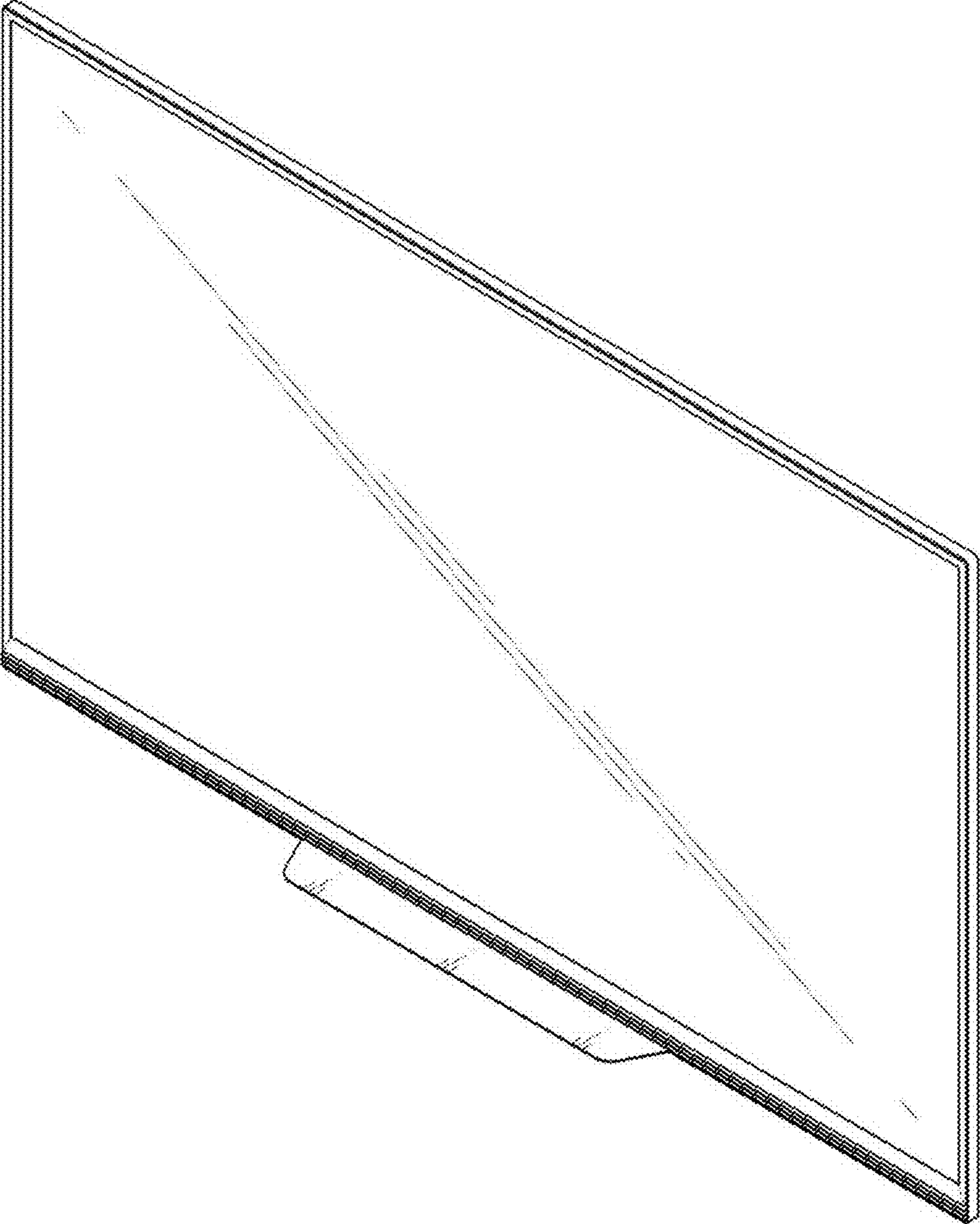
The gist of the present ornamental design is a combination of shape and pattern of “television receiver” as shown and described.

See application file for complete search history.

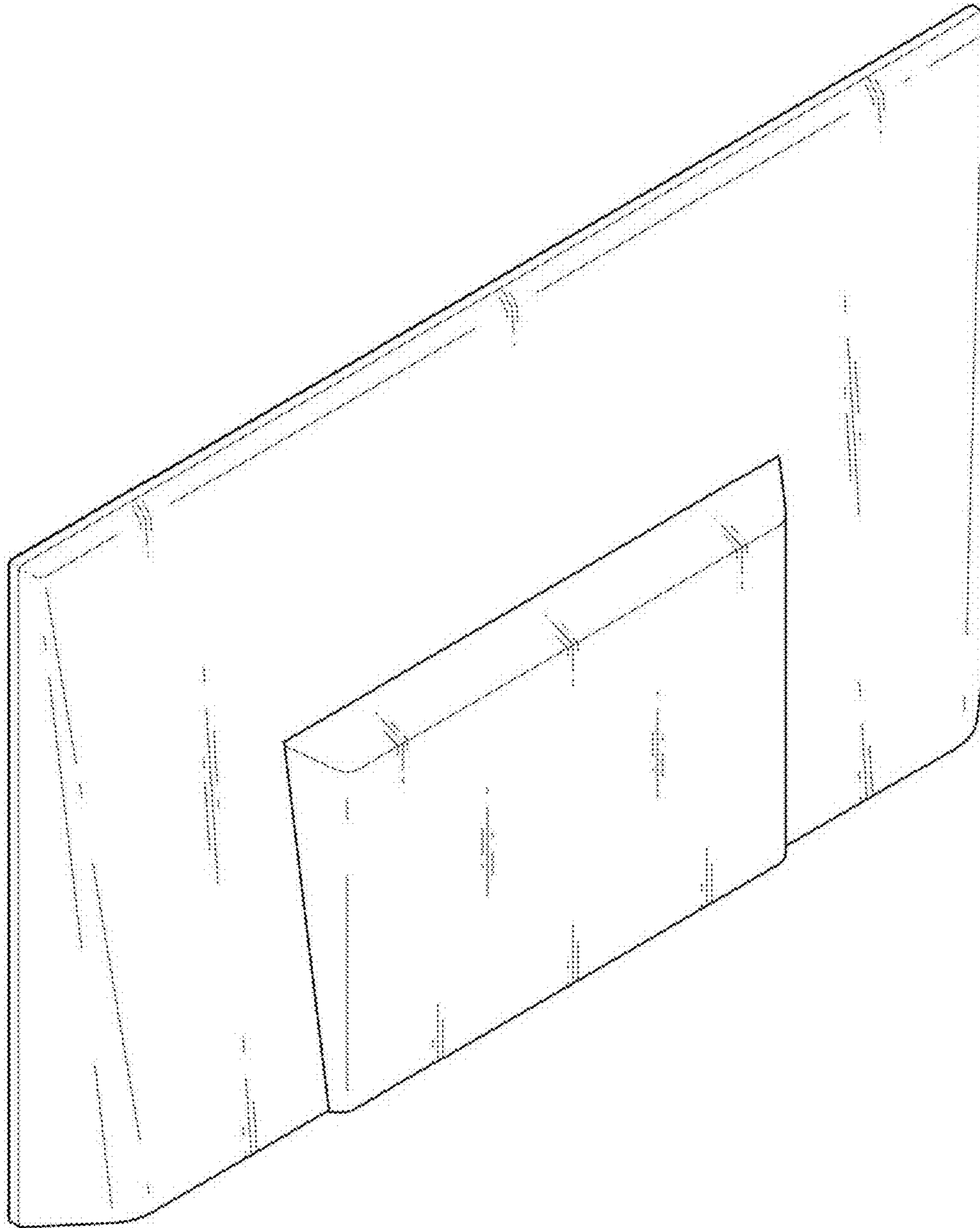
1 Claim, 9 Drawing Sheets



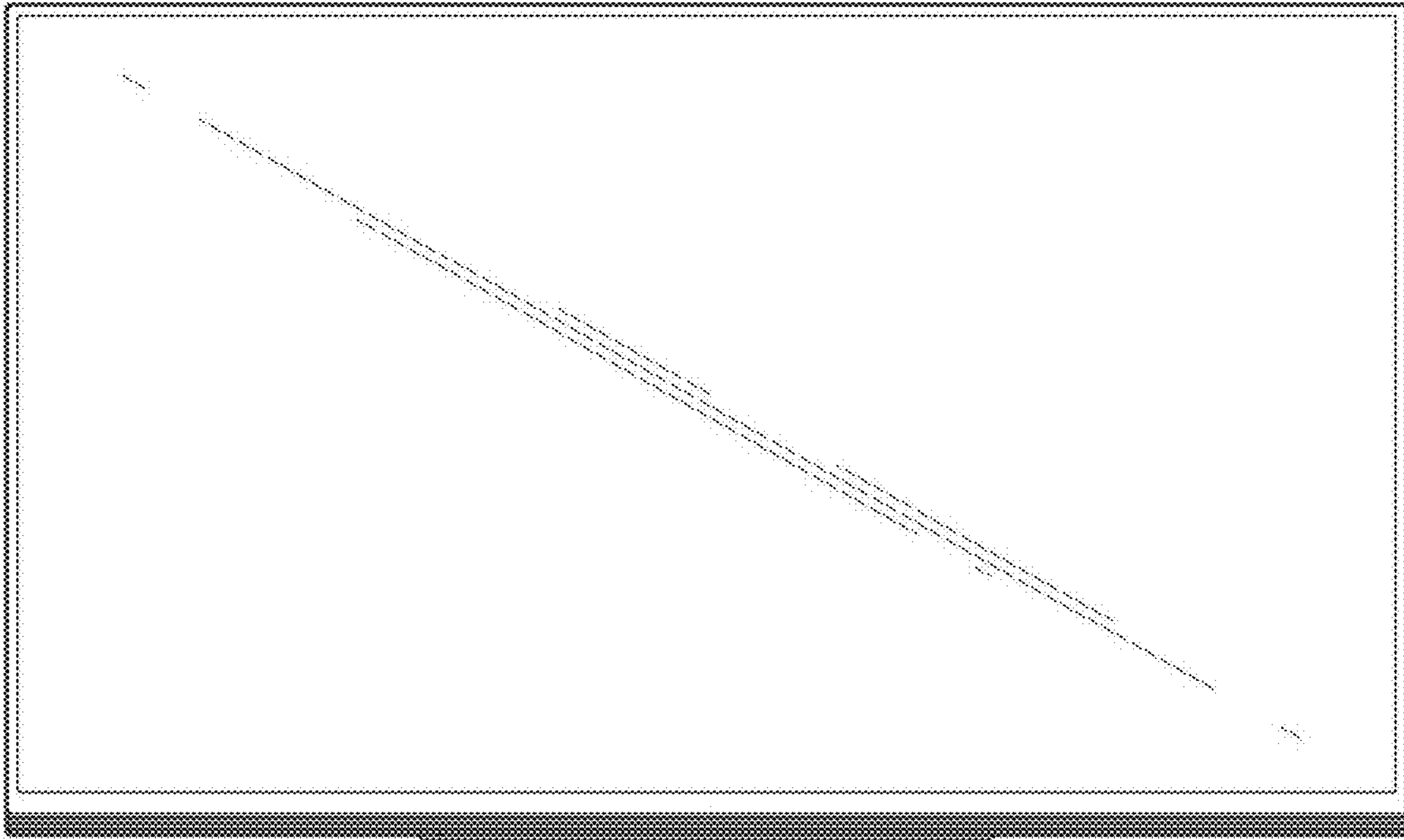
1.1



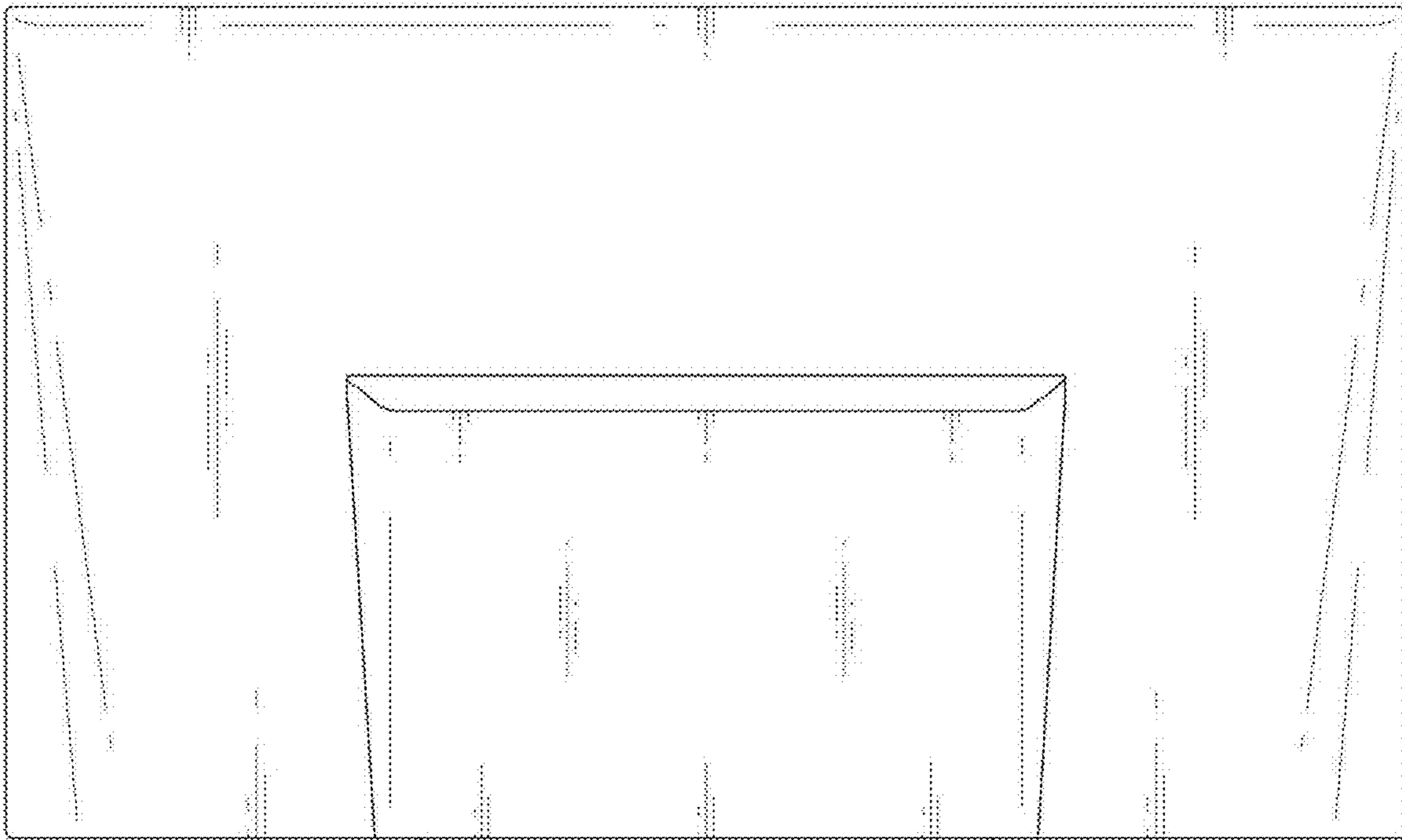
1.2



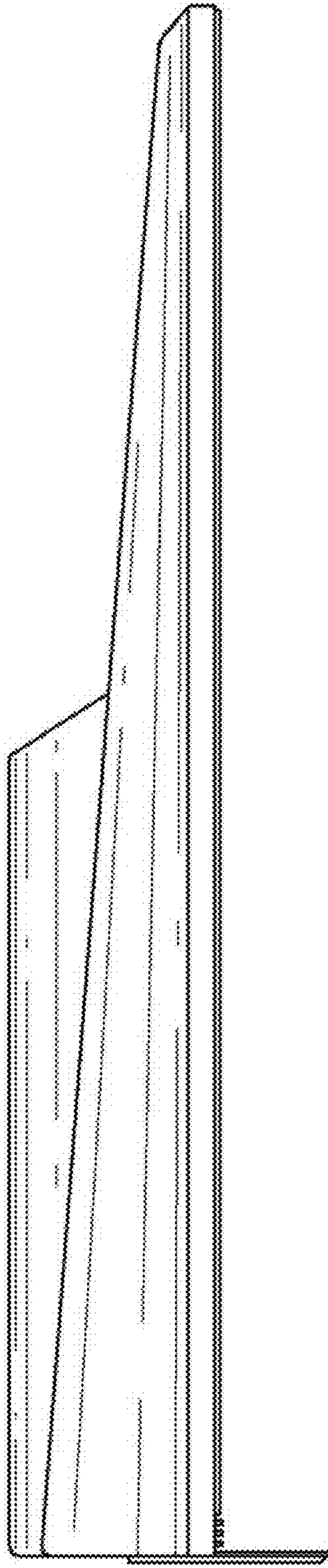
1.3



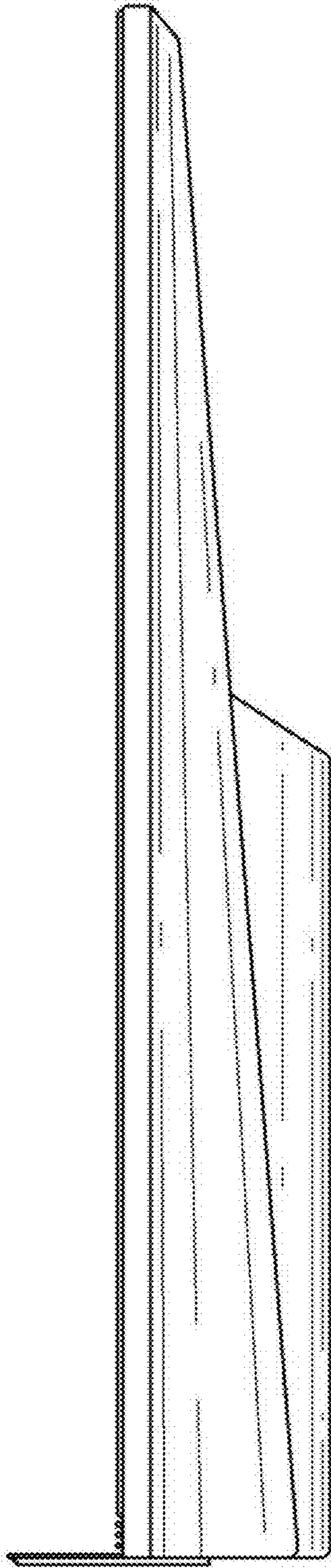
1.4



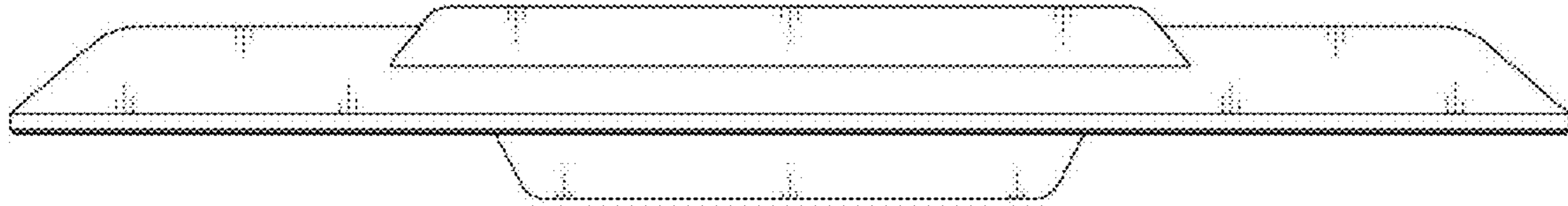
1.5



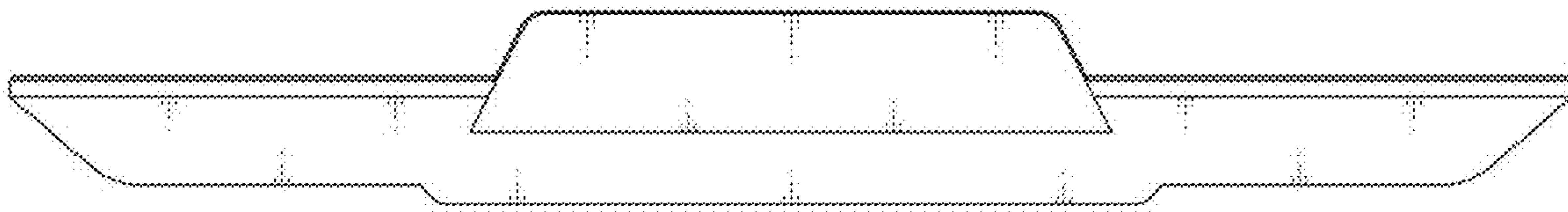
1.6



1.7



1.8



1.9

