



US00D826791S

(12) **United States Design Patent** (10) **Patent No.:** **US D826,791 S**
Kim et al. (45) **Date of Patent:** **** Aug. 28, 2018**

(54) **TELEVISION RECEIVER**

(71) Applicant: **LG ELECTRONICS INC.**, Seoul (KR)
 (72) Inventors: **Hyoungwon Kim**, Seoul (KR); **Jeongrok Lee**, Seoul (KR); **Chulhee Lim**, Seoul (KR); **Byungmu Huh**, Seoul (KR)
 (73) Assignee: **LG ELECTRONICS INC.**, Seoul (KR)
 (**) Term: **15 Years**

(21) Appl. No.: **35/503,146**
 (22) Filed: **Dec. 12, 2016**

(80) **Hague Agreement Data**

Int. Filing Date: **Dec. 12, 2016**
 Int. Reg. No.: **DM/093968**
 Int. Reg. Date: **Dec. 12, 2016**
 Int. Reg. Pub. Date: **Jun. 16, 2017**

(30) **Foreign Application Priority Data**

Jun. 14, 2016 (KR) 30-2016-0028719

(51) **LOC (11) Cl.** **14-03**

(52) **U.S. Cl.**
USPC **D12/126**

(58) **Field of Classification Search**

USPC D14/126, 127, 128, 336, 448
 CPC .. H05K 5/0017; H05K 5/0204; G06F 1/1692;
 G06F 1/165; G06F 1/1601; G06F 1/1637;
 H04N 5/64

See application file for complete search history.

(56) **References Cited**

U.S. PATENT DOCUMENTS

D691,571 S *	10/2013	Park	D14/126
D729,755 S *	5/2015	McManigal	D14/126
D733,083 S *	6/2015	Hwangbo	D14/126
D749,532 S *	2/2016	McManigal	D14/126
D783,555 S *	4/2017	Cho	D14/126
D785,581 S *	5/2017	McManigal	D14/126
D786,812 S *	5/2017	McManigal	D14/126
D786,813 S *	5/2017	McManigal	D14/126
D787,462 S *	5/2017	Shiono	D14/126
D796,464 S *	9/2017	Kim	D14/126
D805,048 S *	12/2017	Linn	D14/126
D806,667 S *	1/2018	Lee	D14/126

* cited by examiner

Primary Examiner — Michael Aaron Pratt

(74) *Attorney, Agent, or Firm* — Birch, Stewart, Kolasch & Birch, LLP

(57) **CLAIM**

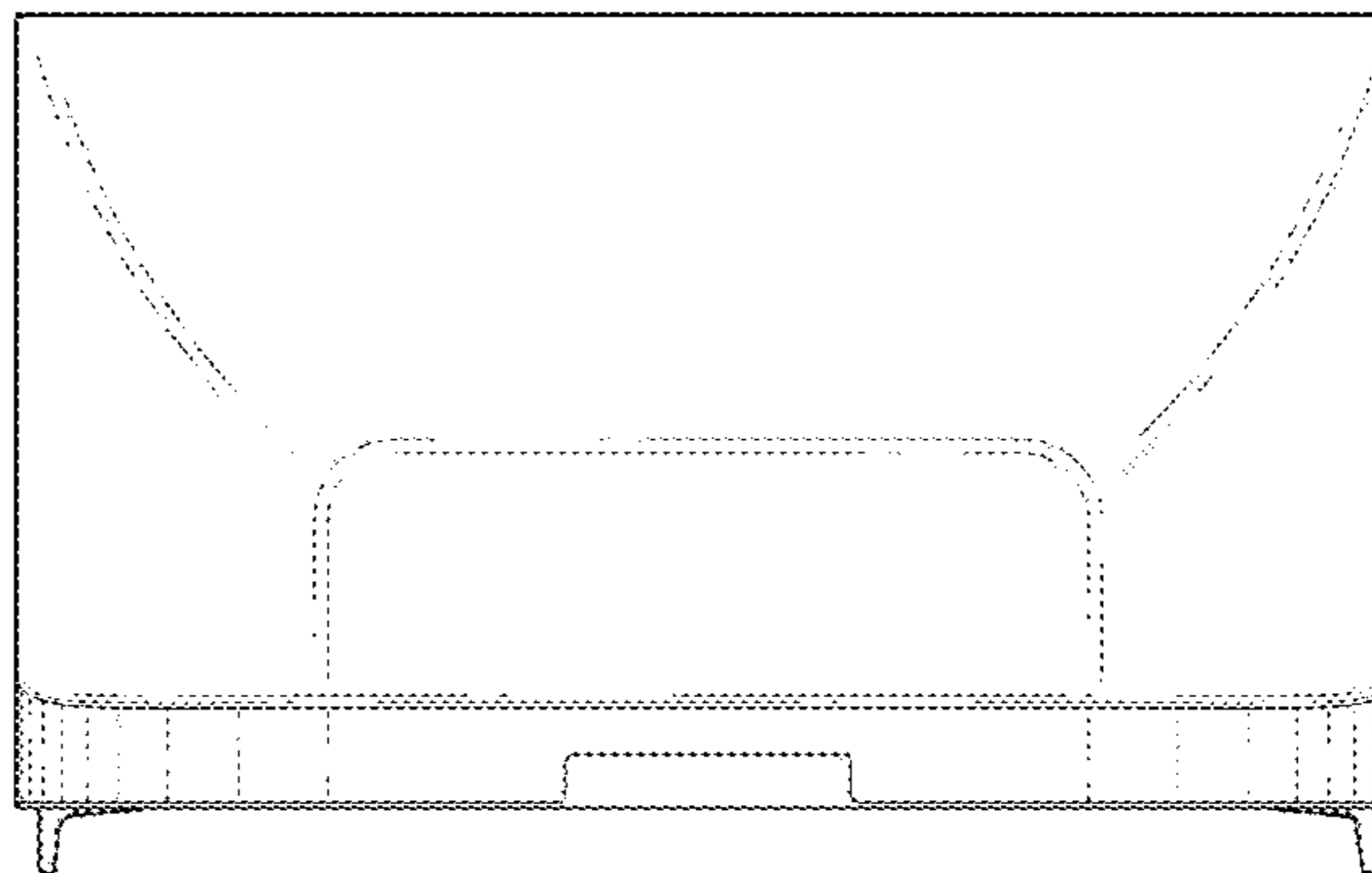
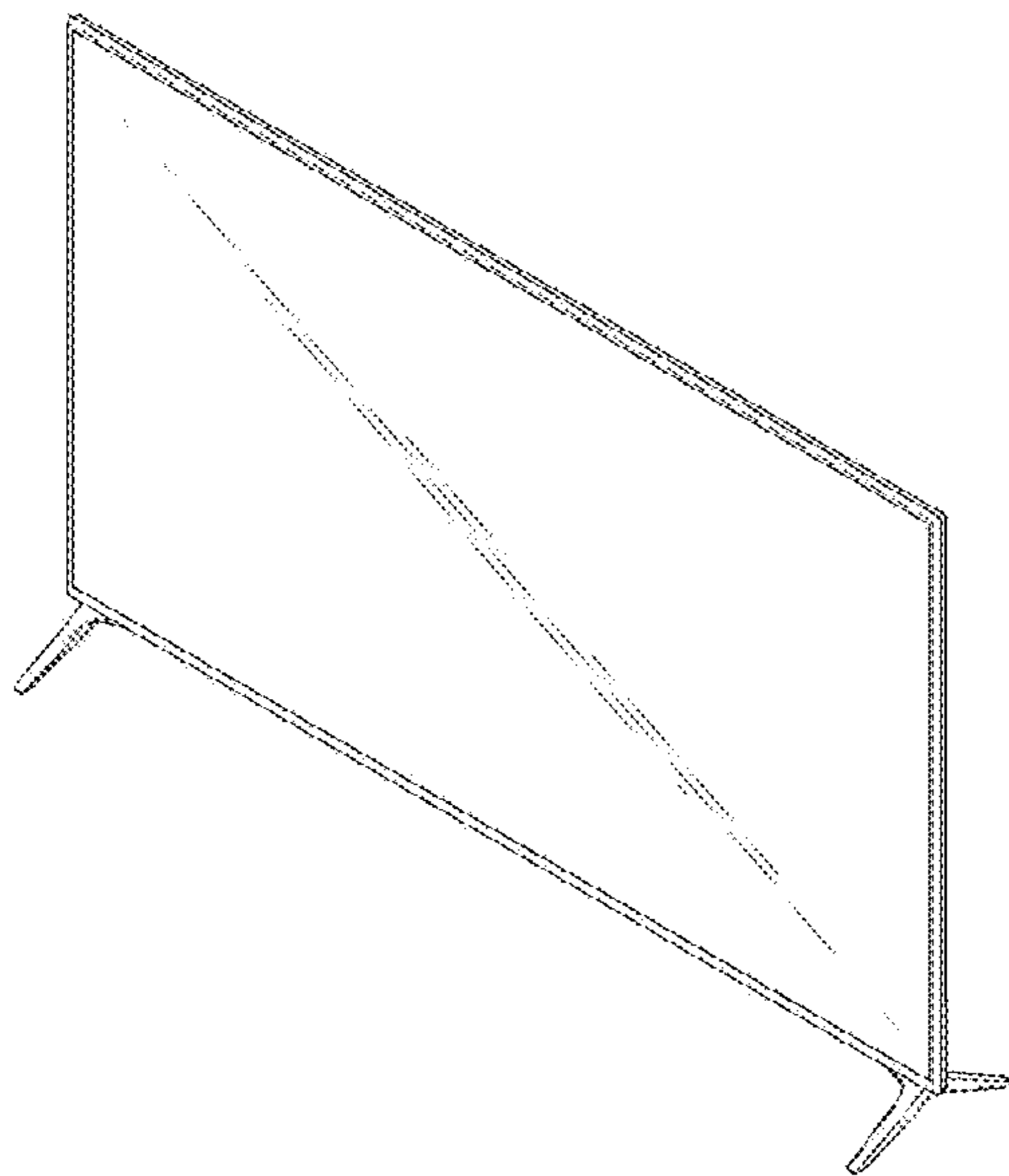
The ornamental design for television receiver, as shown and described.

DESCRIPTION

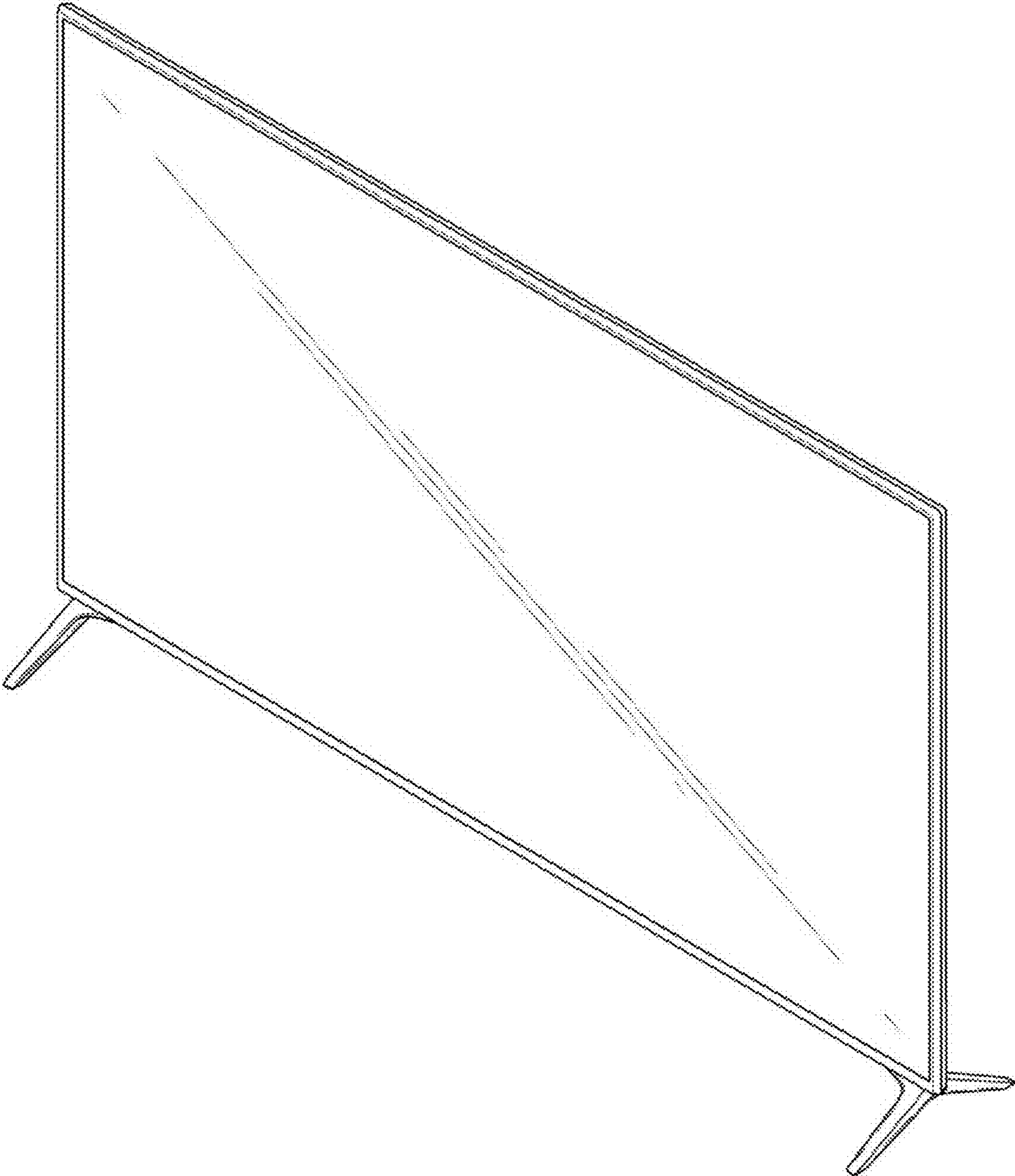
- 1. Television receiver
- 1.1 : Perspective
- 1.2 : Front
- 1.3 : Back
- 1.4 : Left
- 1.5 : Right
- 1.6 : Top
- 1.7 : Bottom

The gist of the present ornamental design is a combination of shape and pattern of “television receiver” as shown and described.

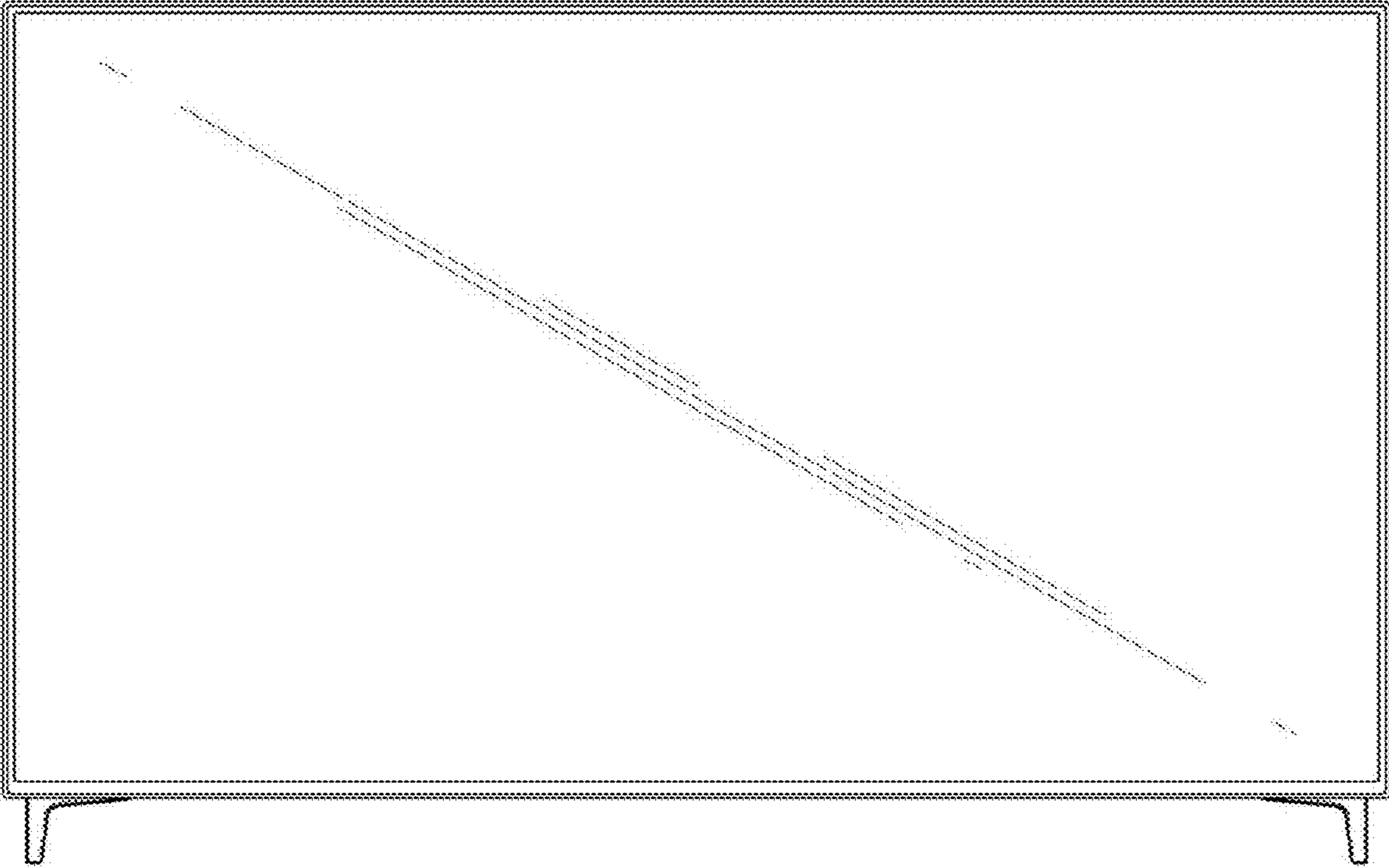
1 Claim, 7 Drawing Sheets



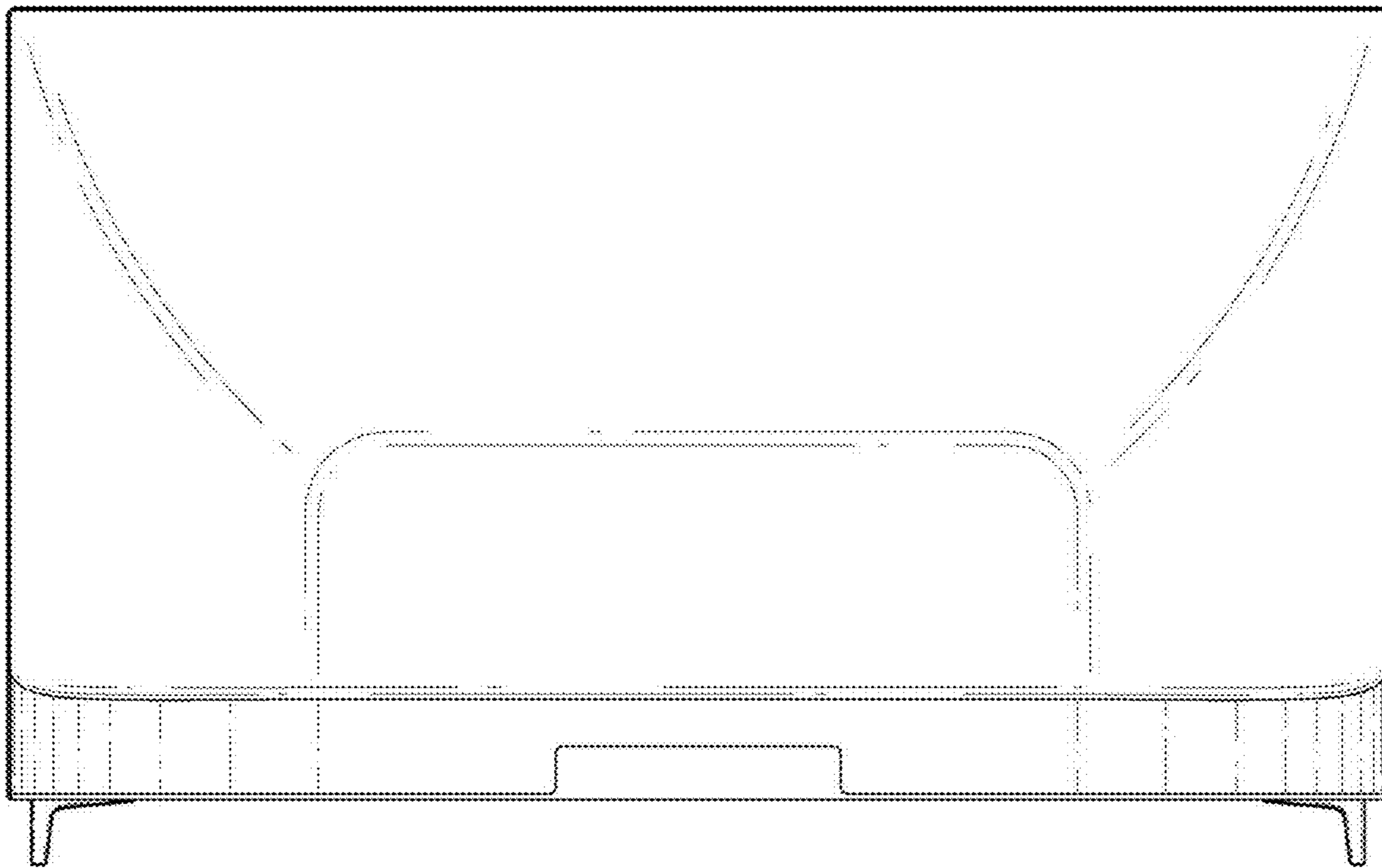
1.1



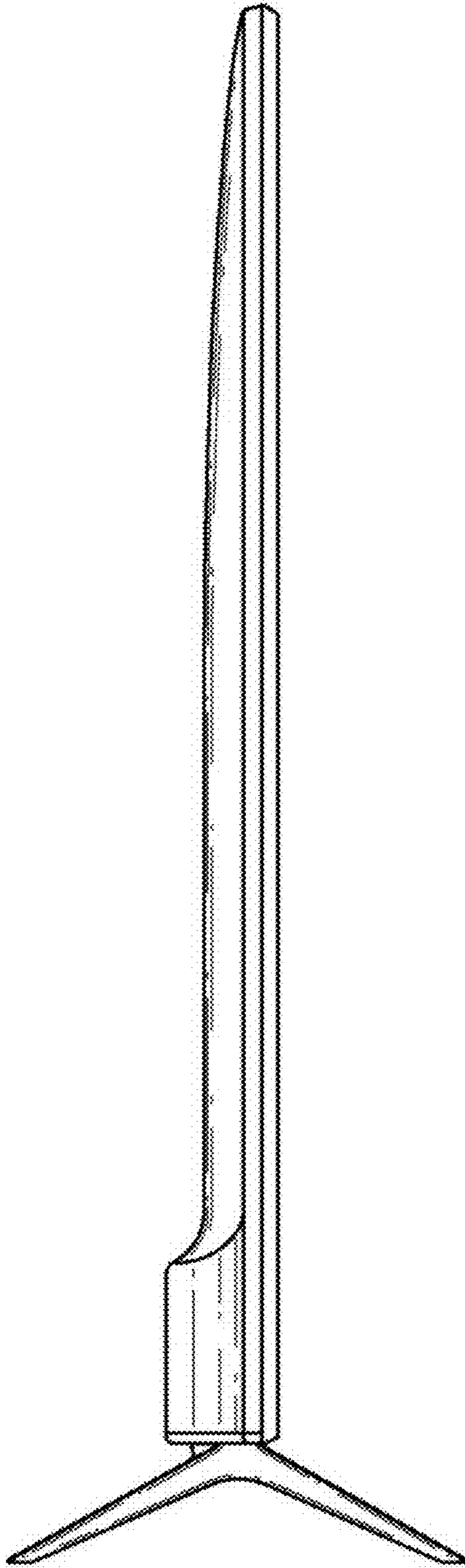
1.2



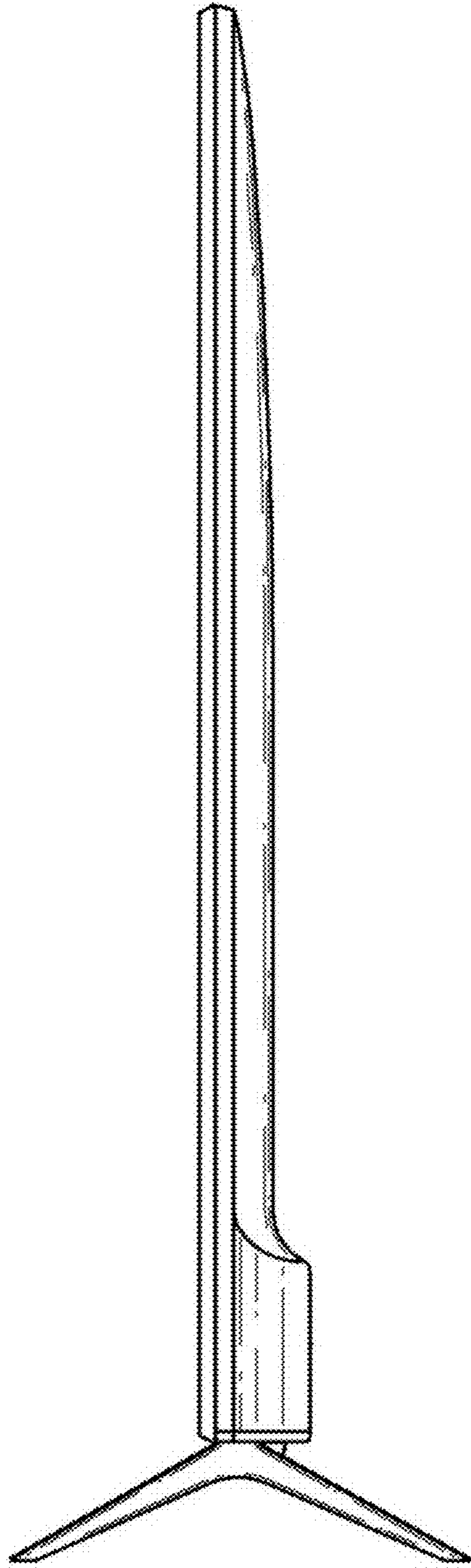
1.3



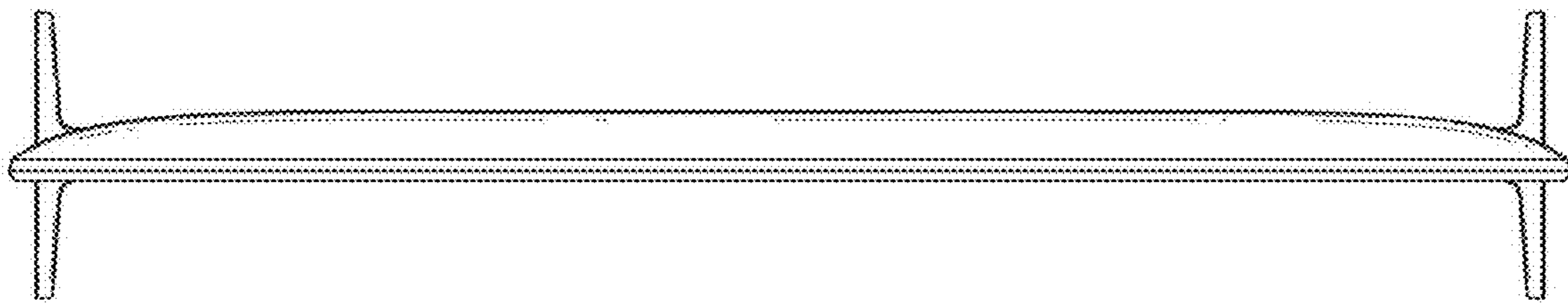
1.4



1.5



1.6



1.7

