



US00D826788S

(12) **United States Design Patent**  
**Hu**

(10) **Patent No.:** **US D826,788 S**

(45) **Date of Patent:** **\*\* Aug. 28, 2018**

(54) **FOLDABLE ELECTRIC BICYCLE**

(71) Applicant: **Ding Hu**, Guangdong Province (CN)

(72) Inventor: **Ding Hu**, Guangdong Province (CN)

(\*\*) Term: **15 Years**

(21) Appl. No.: **29/562,562**

(22) Filed: **Apr. 27, 2016**

(30) **Foreign Application Priority Data**

Jan. 13, 2016 (CN) ..... 2016 3 0011386

(51) **LOC (11) Cl.** ..... **12-11**

(52) **U.S. Cl.**  
USPC ..... **D12/111**

(58) **Field of Classification Search**  
USPC ..... D12/111, 117; D21/419, 424  
CPC ... B62K 3/00; B62K 3/02; B62K 3/06; B62K  
3/08; B62K 9/00; B62K 15/00; B62K  
15/006; B62K 15/008; B62K 17/00  
See application file for complete search history.

(56) **References Cited**

**U.S. PATENT DOCUMENTS**

D466,839 S \* 12/2002 Ou ..... D12/110  
6,588,787 B2 \* 7/2003 Ou ..... B62K 15/008  
180/220  
D498,438 S \* 11/2004 Ying ..... D12/111  
D503,362 S \* 3/2005 Zhu ..... D12/111  
D620,400 S \* 7/2010 Haller ..... D12/111  
D650,724 S \* 12/2011 Chiang ..... D12/111

D685,683 S \* 7/2013 Shaw ..... D12/111  
D726,592 S \* 4/2015 Zhang ..... D12/107  
D727,215 S \* 4/2015 Yang ..... D12/111  
D746,924 S \* 1/2016 Delgatty ..... D21/423  
D750,711 S \* 3/2016 Delgatty ..... D21/423  
2012/0043148 A1 \* 2/2012 Brady ..... B60L 3/0069  
180/206.5  
2015/0060176 A1 \* 3/2015 Paick ..... B62M 6/60  
180/208

\* cited by examiner

*Primary Examiner* — Darlington Ly

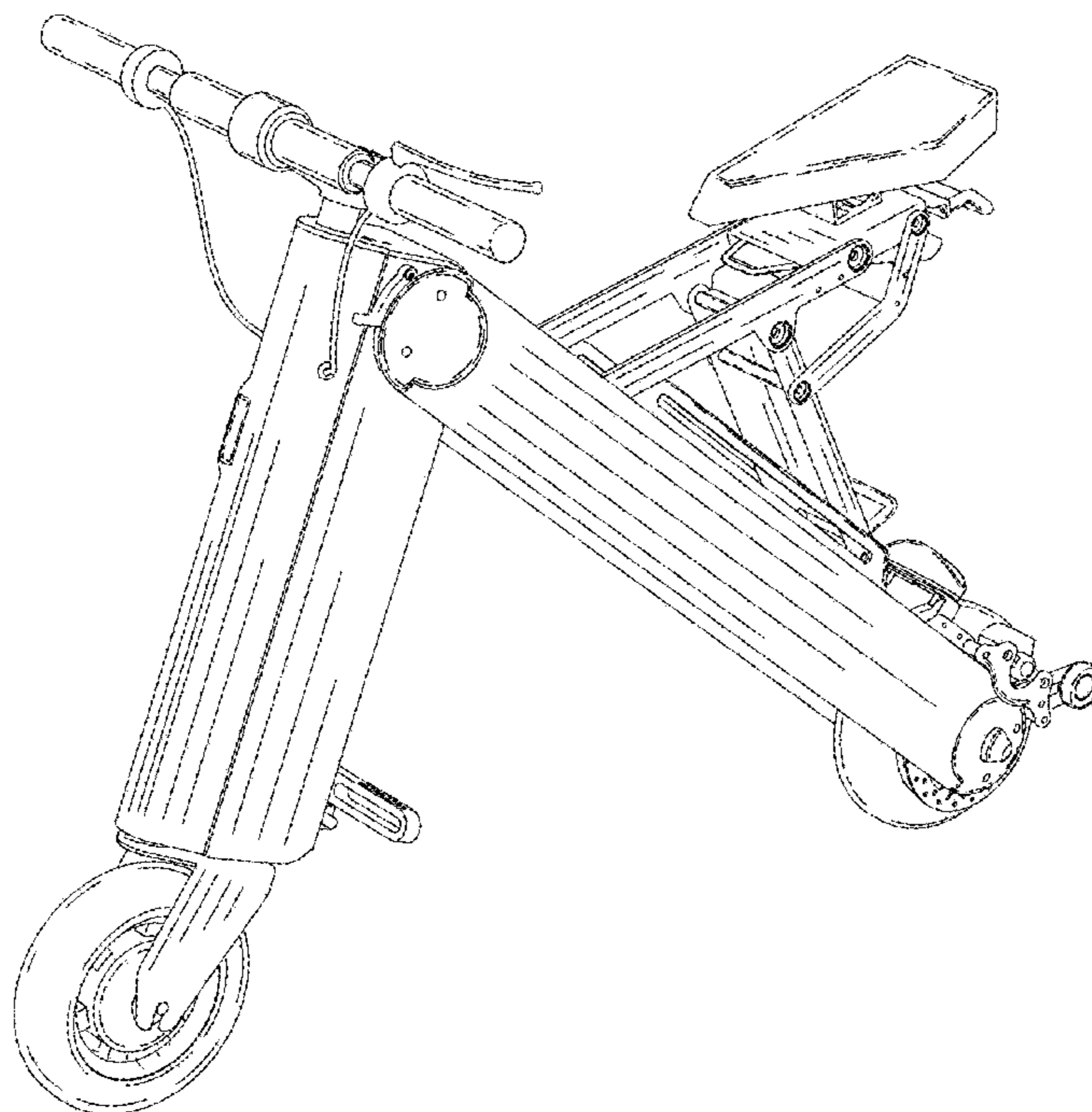
(57) **CLAIM**

The ornamental design for a foldable electric bicycle, as shown and described.

**DESCRIPTION**

FIG. 1 is a front elevational view of a foldable electric bicycle showing my new design;  
FIG. 2 is a rear elevational view thereof;  
FIG. 3 is a left side elevational view thereof;  
FIG. 4 is a right side elevational view thereof;  
FIG. 5 is a top plan view thereof;  
FIG. 6 is a bottom plan view thereof;  
FIG. 7 is a top, front, and right side perspective view thereof;  
and,  
FIG. 8 is an enlarged view of portion 8 shown in FIG. 6.  
The broken lines in the drawings illustrate portions of the foldable electric bicycle that form no part of the claimed design.

**1 Claim, 8 Drawing Sheets**



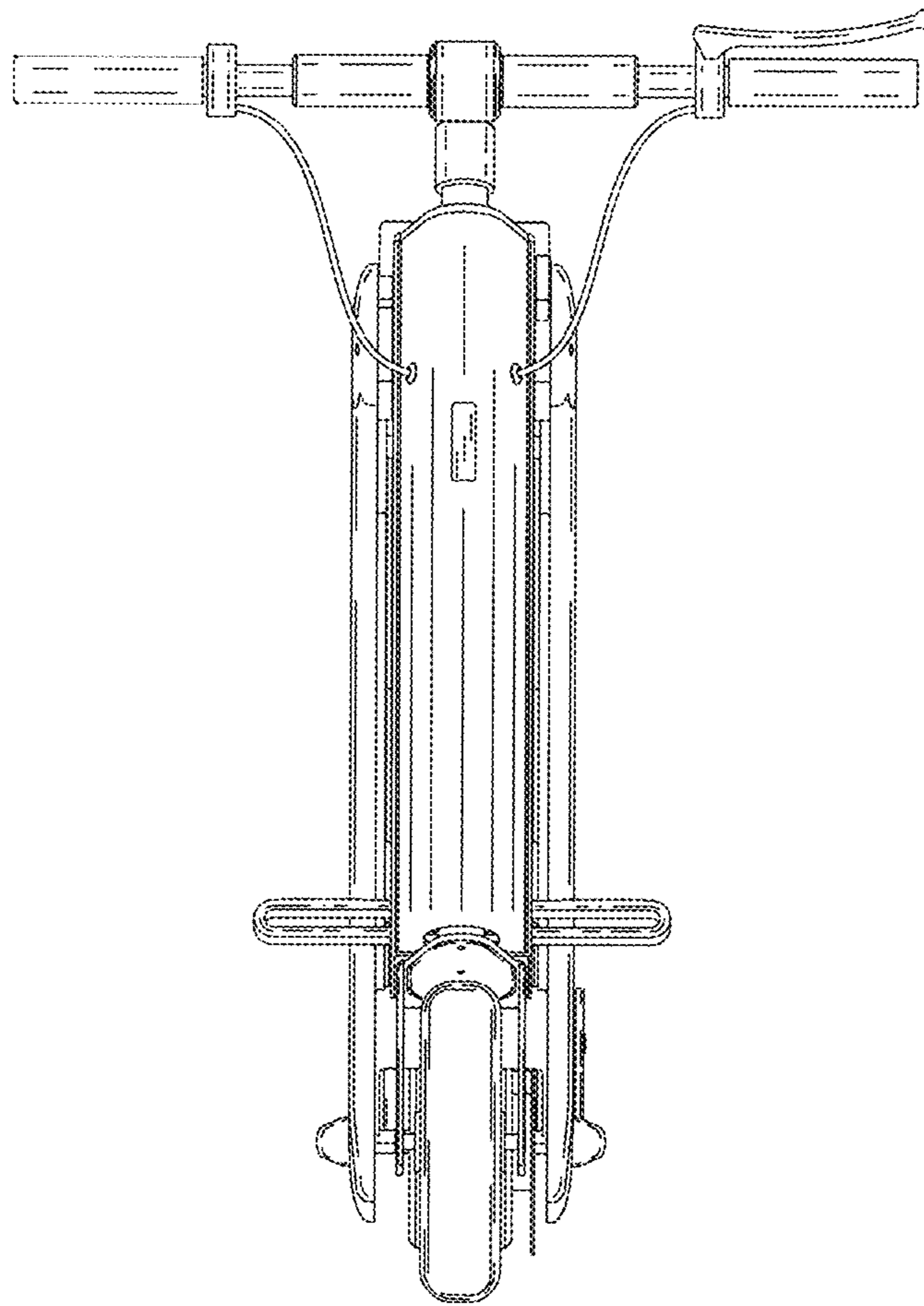


FIG. 1



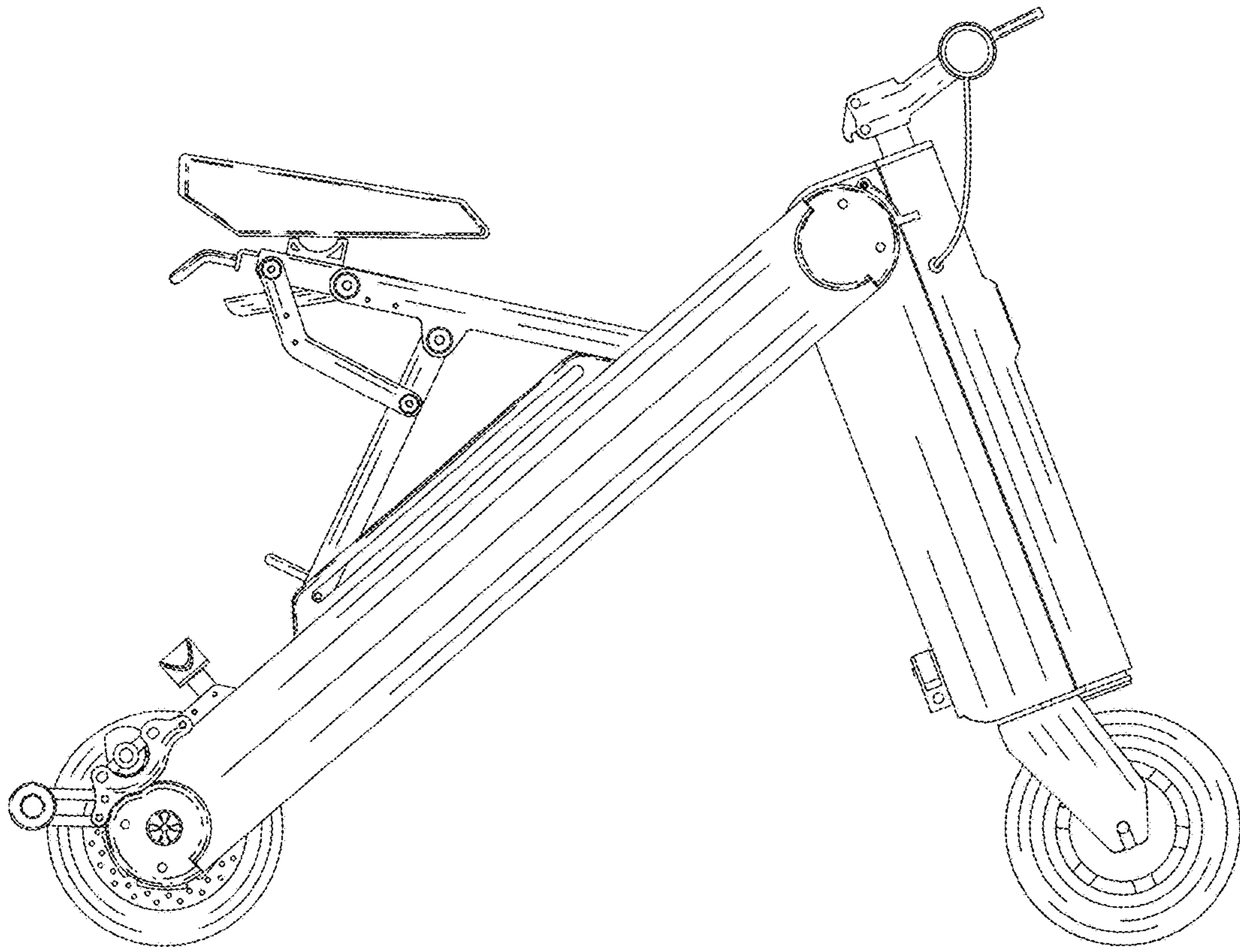


FIG. 3



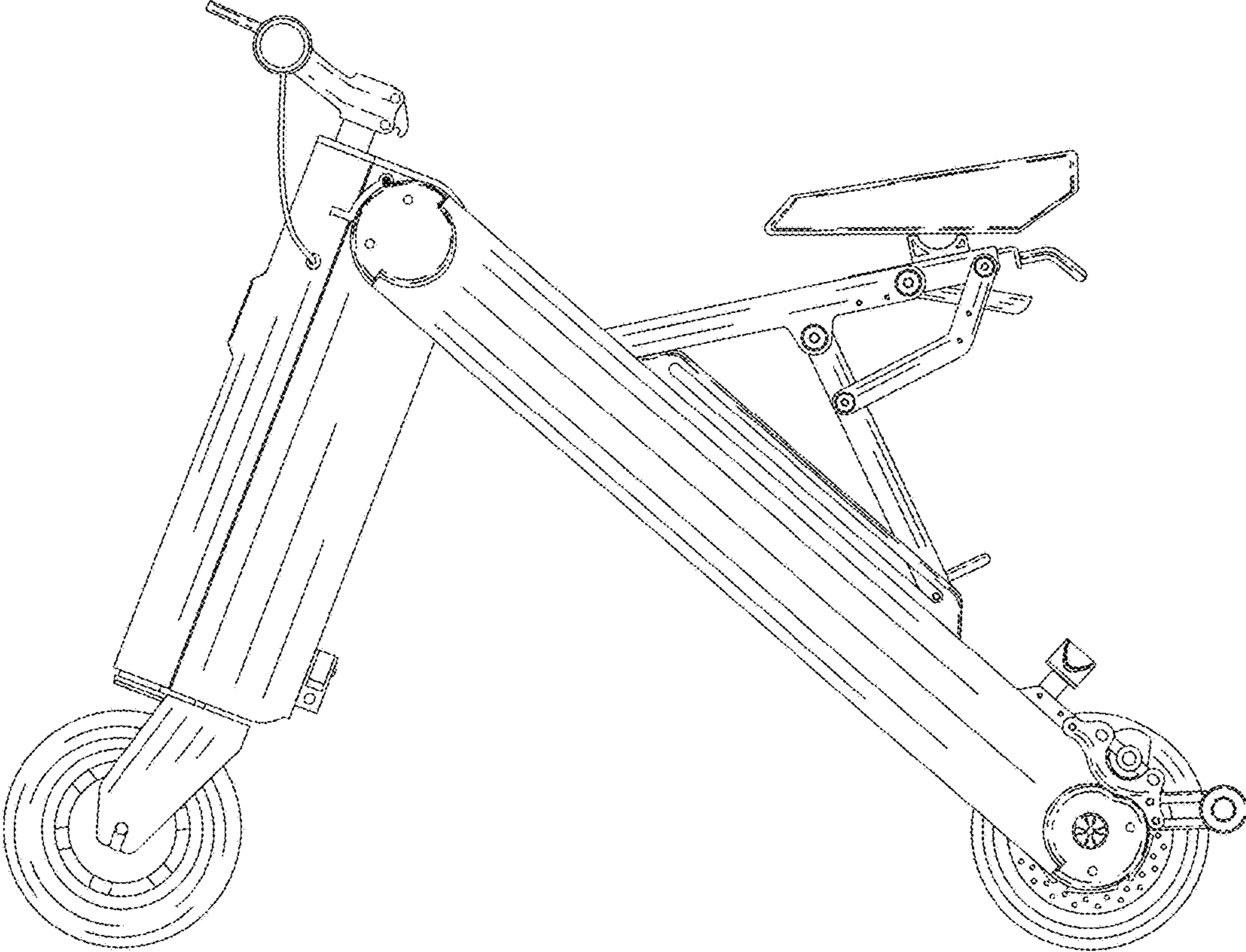


FIG. 4

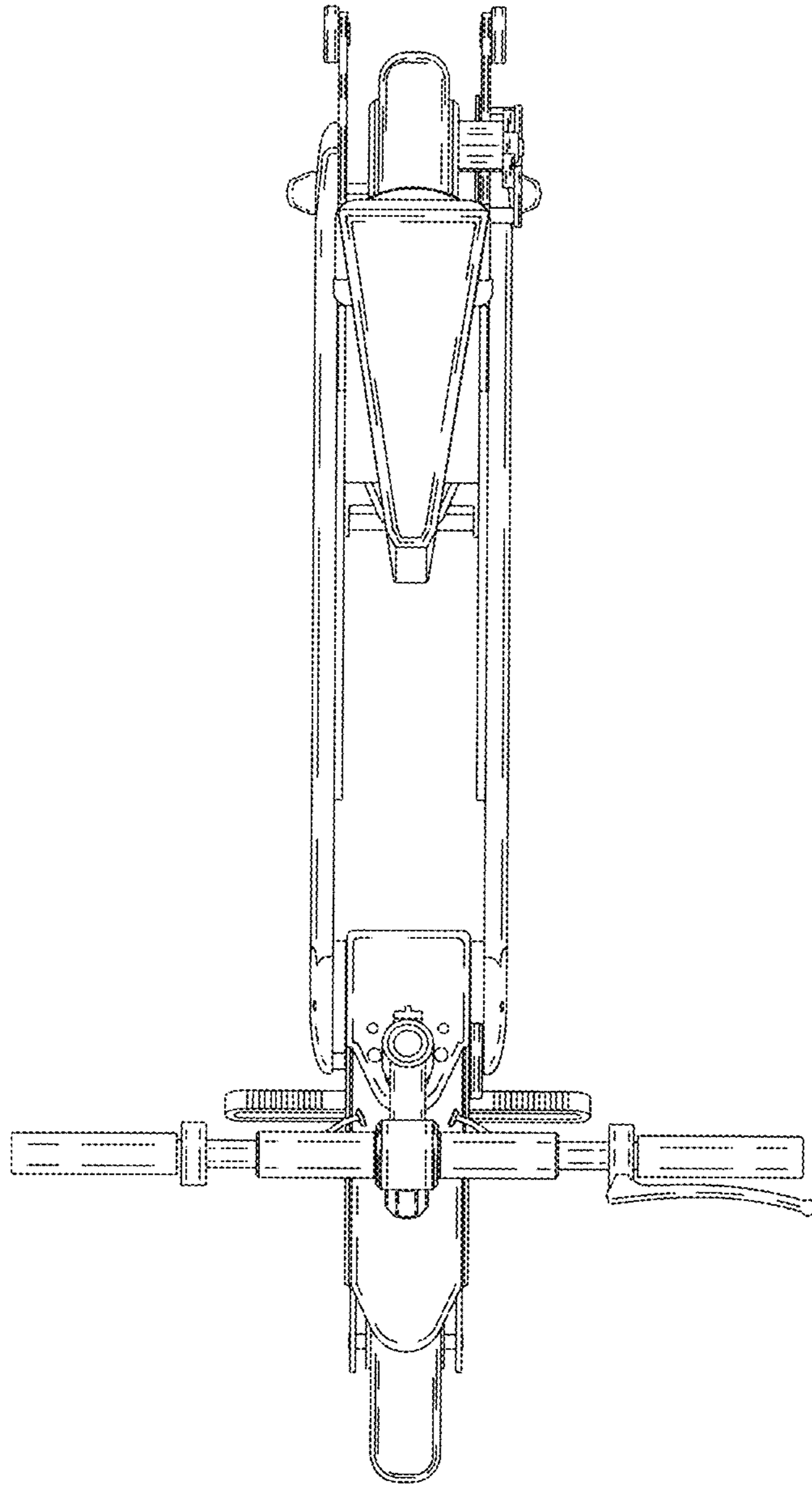


FIG. 5

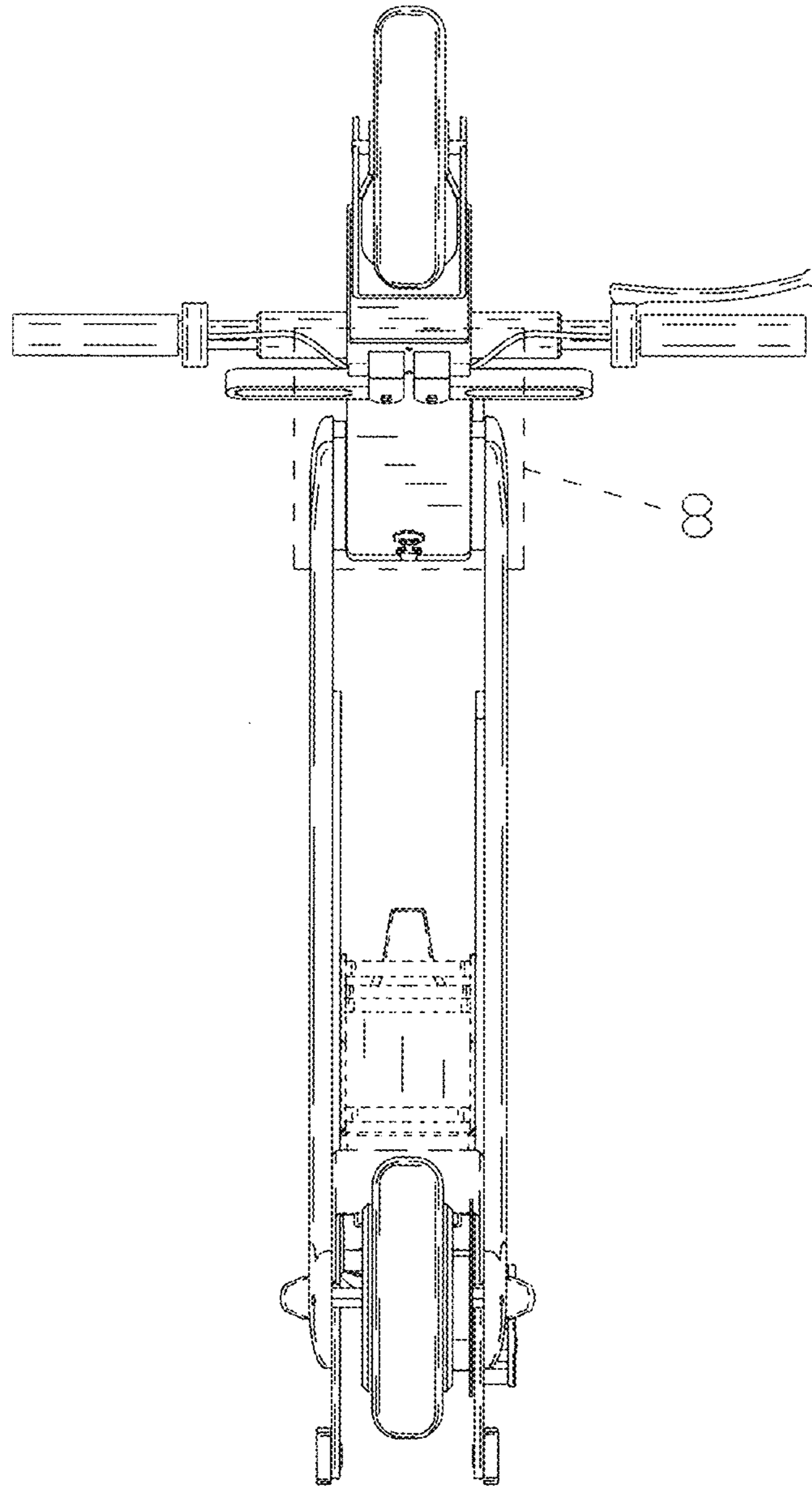


FIG. 6

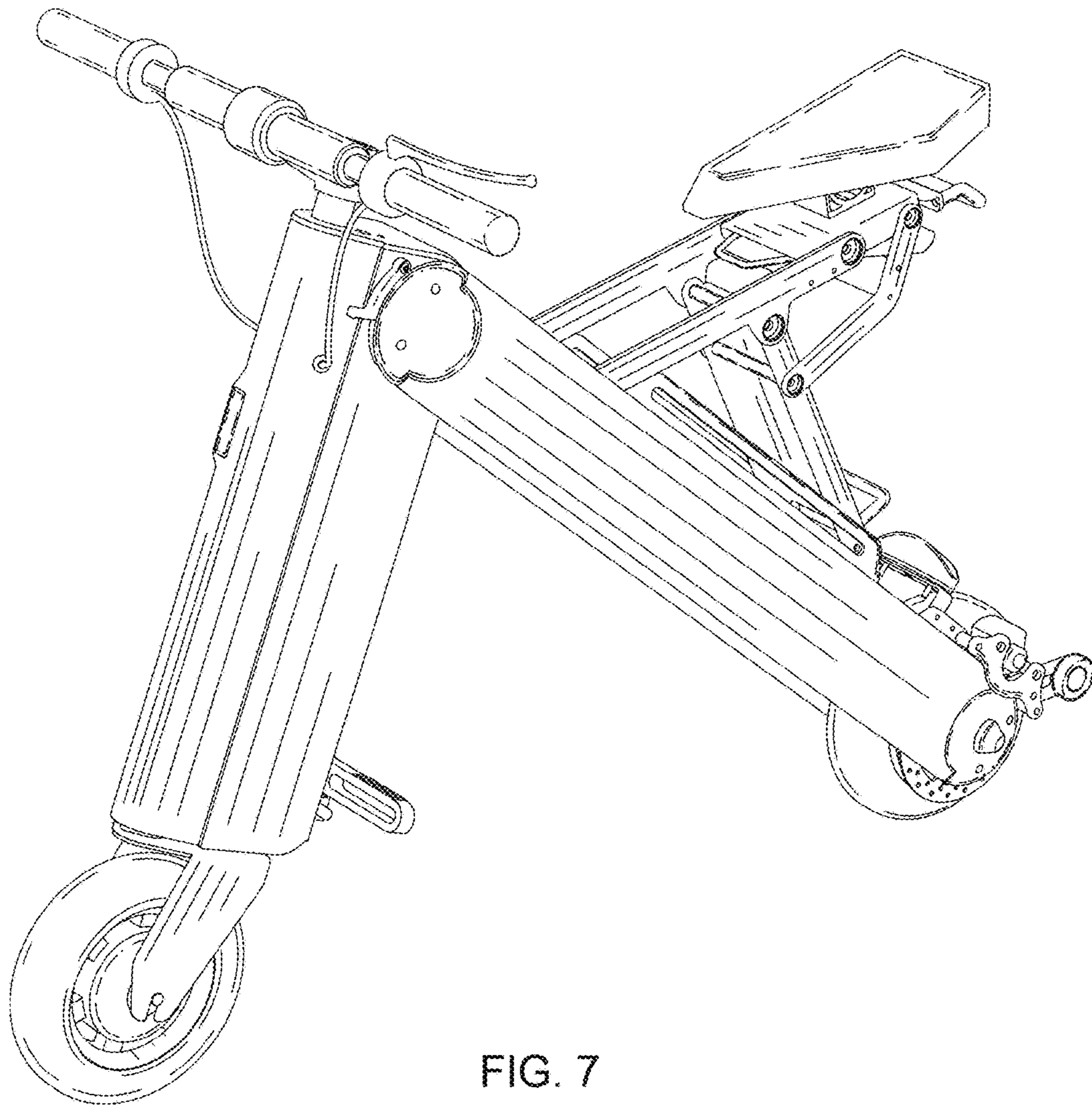


FIG. 7



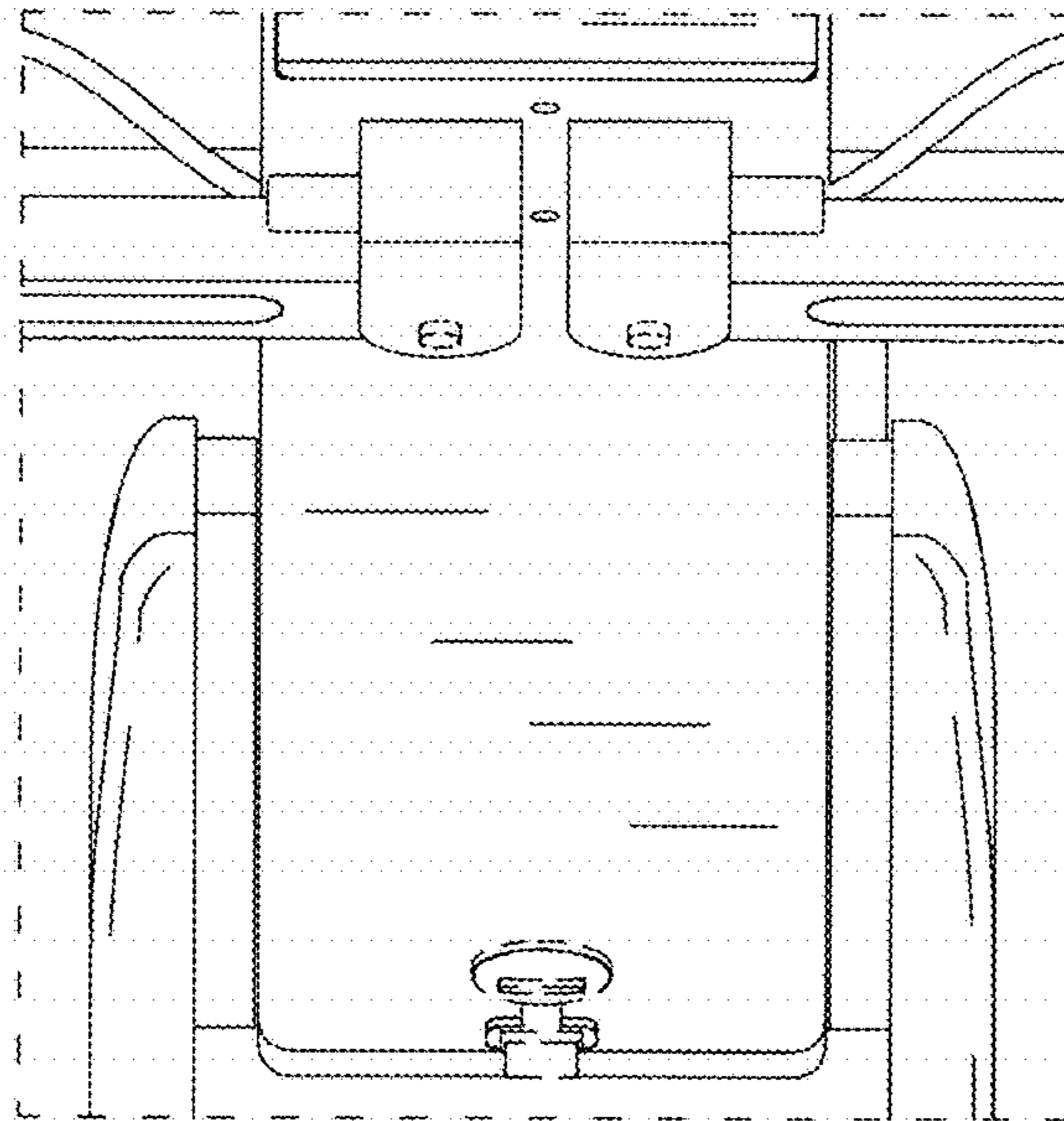


FIG. 8