

US00D826786S

(12) **United States Design Patent**
Denton, III

(10) **Patent No.:** **US D826,786 S**

(45) **Date of Patent:** **** Aug. 28, 2018**

(54) **TRAILER**

(71) Applicant: **William Joe Denton, III**, Wilson, AK
(US)

(72) Inventor: **William Joe Denton, III**, Wilson, AK
(US)

(**) Term: **15 Years**

(21) Appl. No.: **29/577,340**

(22) Filed: **Sep. 12, 2016**

(51) **LOC (11) Cl.** **12-10**

(52) **U.S. Cl.**
USPC **D12/101**

(58) **Field of Classification Search**
USPC D12/93, 94, 95, 96, 97, 98, 99, 100, 101,
D12/102, 103, 104, 105, 106, 400, 406,
D12/412, 413, 414, 414.1
CPC .. B60P 1/56; B60P 3/222; B60P 3/224; B62D
21/20; B23K 31/02
See application file for complete search history.

(56) **References Cited**

U.S. PATENT DOCUMENTS

| | | | | | |
|-----------|-----|---------|-----------|-------|--------------------------|
| 3,042,423 | A * | 7/1962 | Bock | | B62D 21/20 280/414.1 |
| 3,717,268 | A * | 2/1973 | Snodgrass | | B60P 3/1058 414/522 |
| 3,774,790 | A * | 11/1973 | Godbersen | | B60P 3/1033 193/35 SS |
| 3,887,093 | A * | 6/1975 | Howell | | B60P 3/1075 114/344 |
| 3,892,320 | A * | 7/1975 | Moore | | B60P 3/1066 280/414.1 |
| D267,559 | S * | 1/1983 | Wormser | | D12/101 |
| D281,150 | S * | 10/1985 | Catlett | | D12/101 |

| | | | | | |
|-----------|-----|---------|-----------------|-------|-----------------------|
| D312,990 | S * | 12/1990 | Gerdes | | D12/101 |
| D322,235 | S * | 12/1991 | Bell | | D12/101 |
| D342,045 | S * | 12/1993 | Kivett | | D12/101 |
| 5,468,008 | A * | 11/1995 | Hecht | | B62D 21/20 280/163 |
| H1587 | H * | 9/1996 | Van Valkenburgh | | B60P 3/00 208/789 |
| D499,049 | S * | 11/2004 | Stinson | | D12/106 |

* cited by examiner

Primary Examiner — Karen S Acker
Assistant Examiner — Jerry Shiuan-Hua Hsu

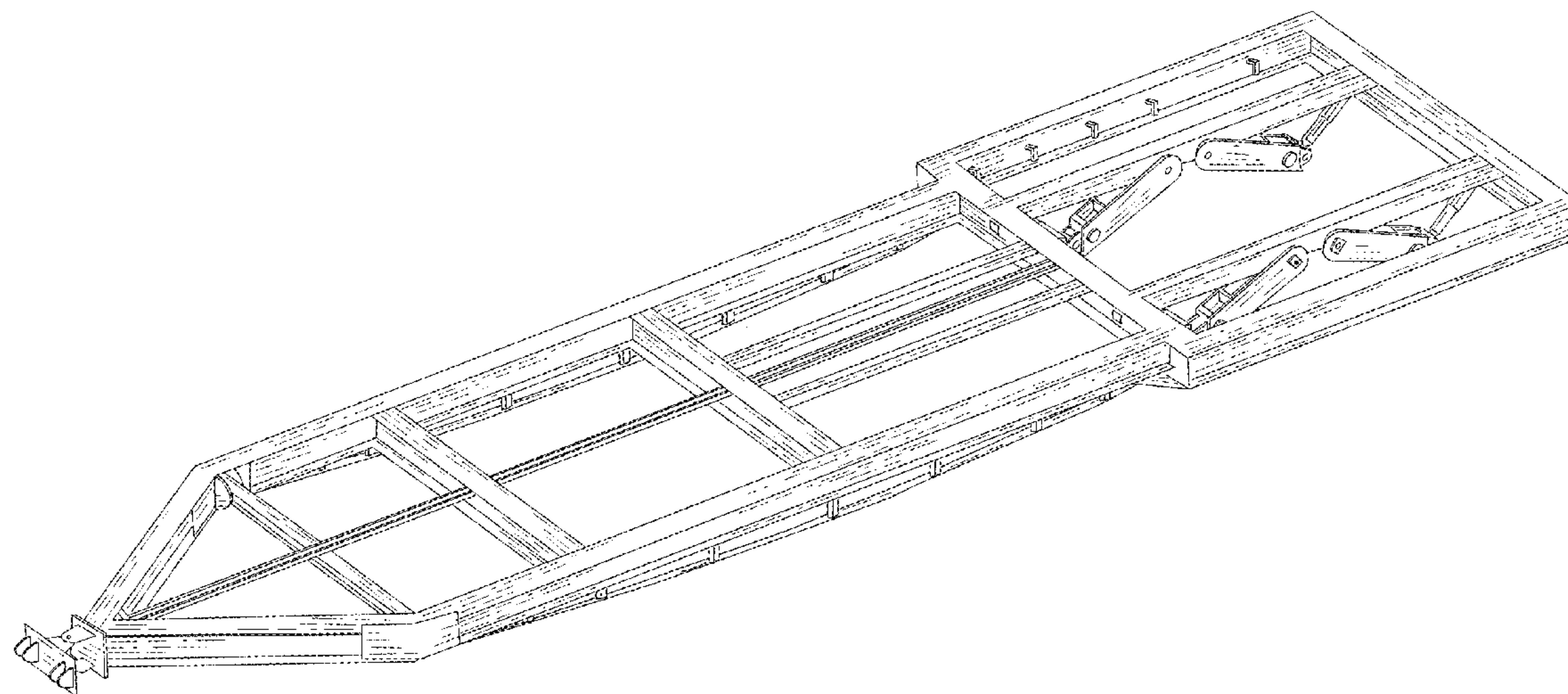
(57) **CLAIM**

The ornamental design for a trailer, as shown and described.

DESCRIPTION

FIG. 1 is a perspective view of a trailer, showing my new design;
 FIG. 2 is a reference view thereof with broken lines shown therein to indicate the area comprising the detail views, FIGS. 11 and 12;
 FIG. 3 is a front elevational view thereof;
 FIG. 4 is a rear elevational view thereof;
 FIG. 5 is a left side elevational view thereof;
 FIG. 6 is a right side elevational view thereof;
 FIG. 7 is a bottom plan view thereof;
 FIG. 8 is a top plan view thereof;
 FIG. 9 is a bottom perspective view thereof;
 FIG. 10 is an additional front perspective view thereof;
 FIG. 11 is an enlarged detail view of area 11 circumscribed within FIG. 2; and,
 FIG. 12 is an enlarged detail view of area 12 circumscribed within FIG. 2.
 The broken lines in FIGS. 2, 11, and 12 indicate areas of the detail views and form no part of the claimed design.

1 Claim, 12 Drawing Sheets



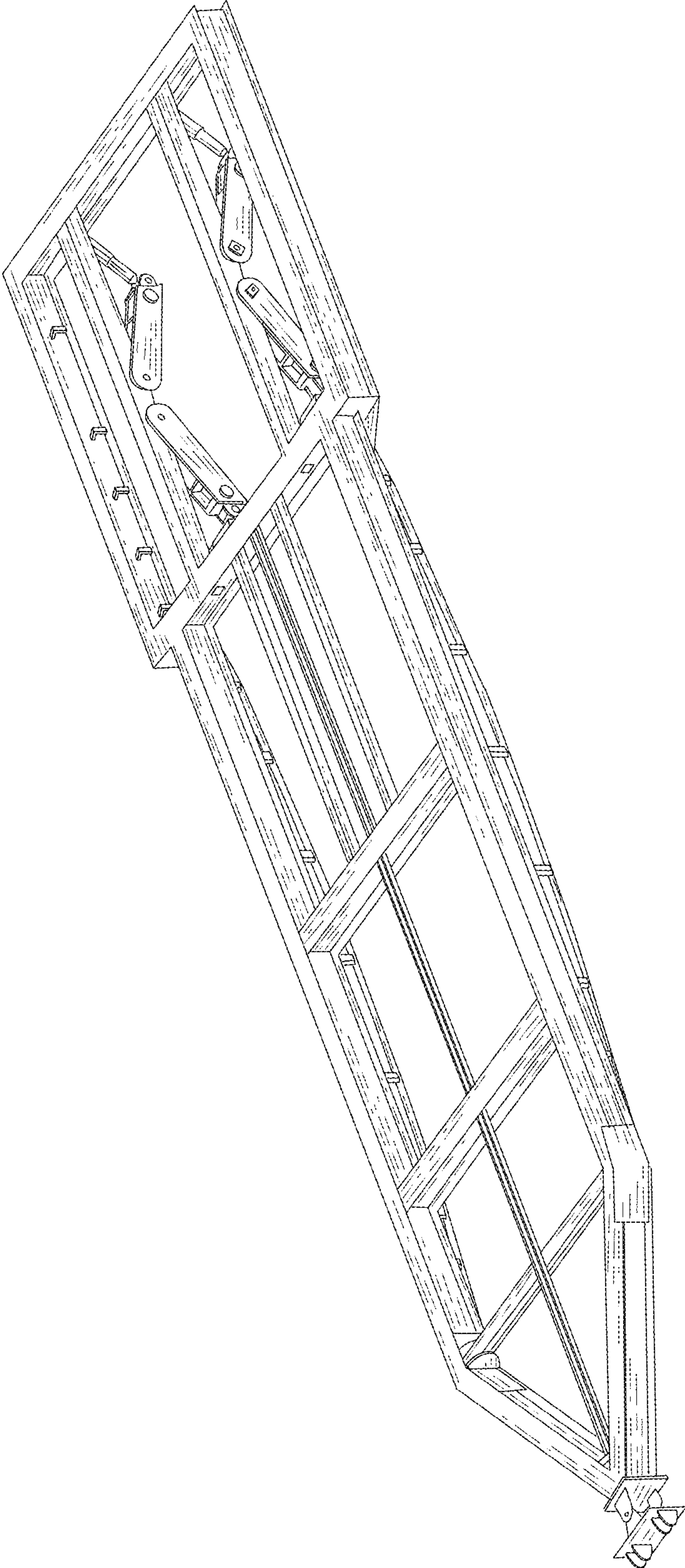


FIG. 1

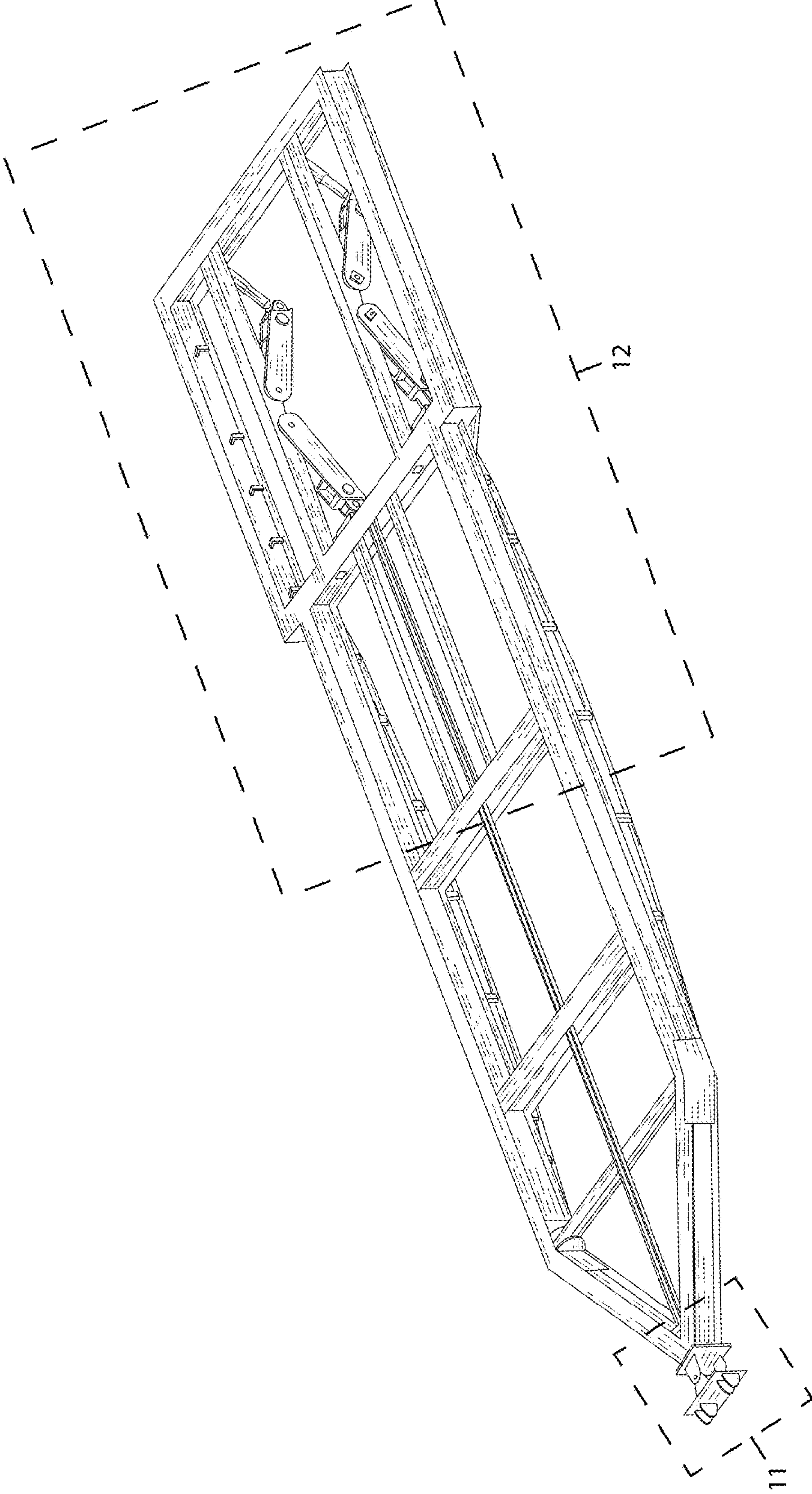


FIG. 2

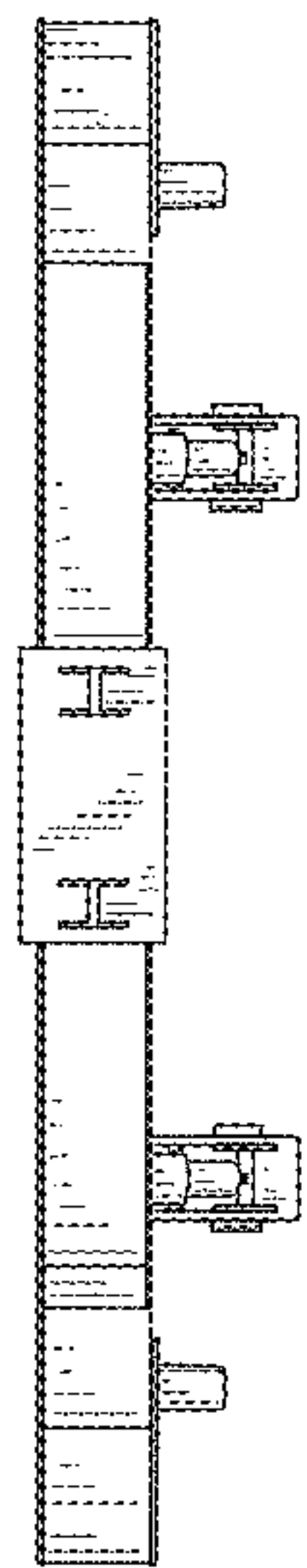


FIG. 3

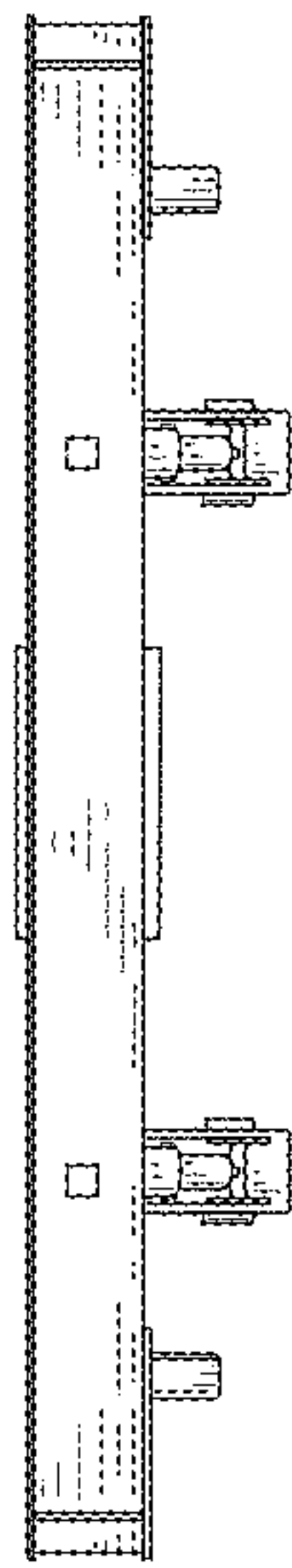


FIG. 4

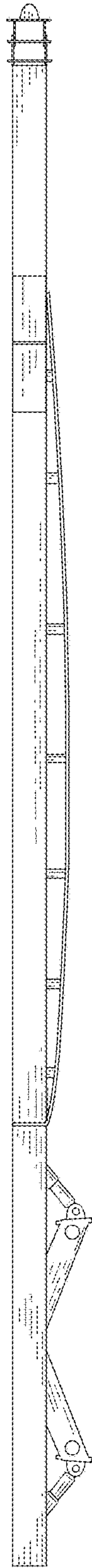


FIG. 5

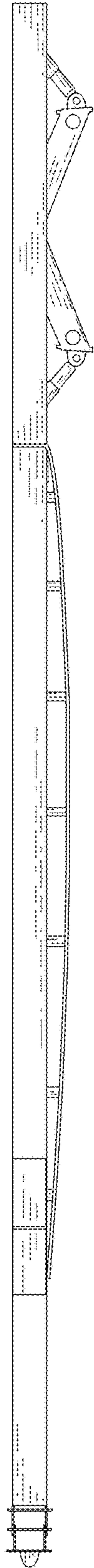


FIG. 6

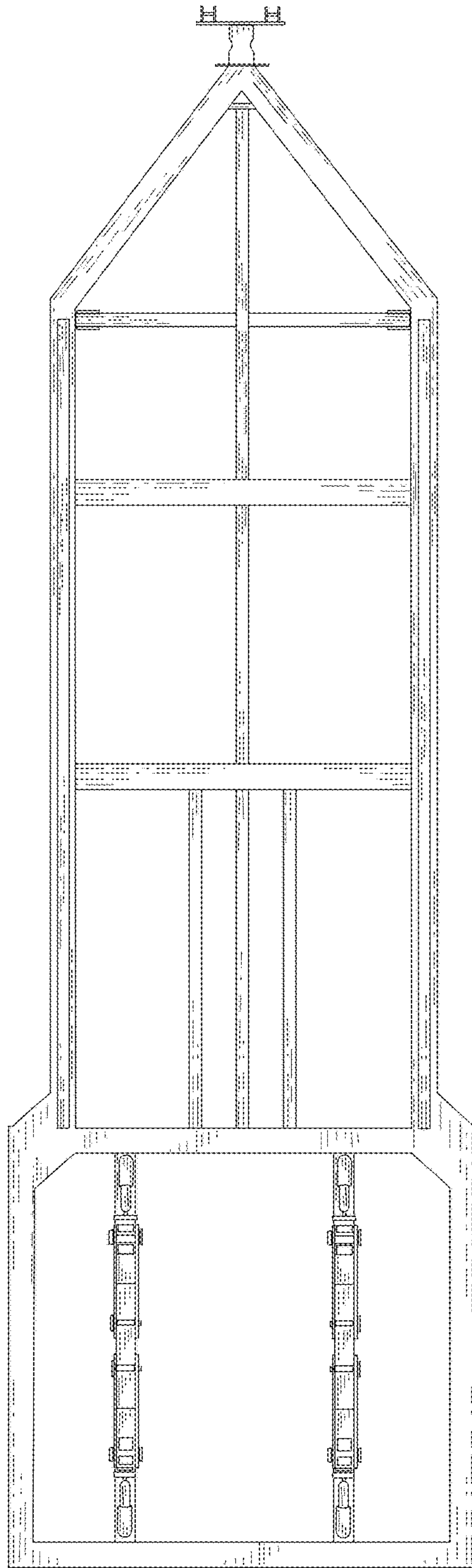


FIG. 7

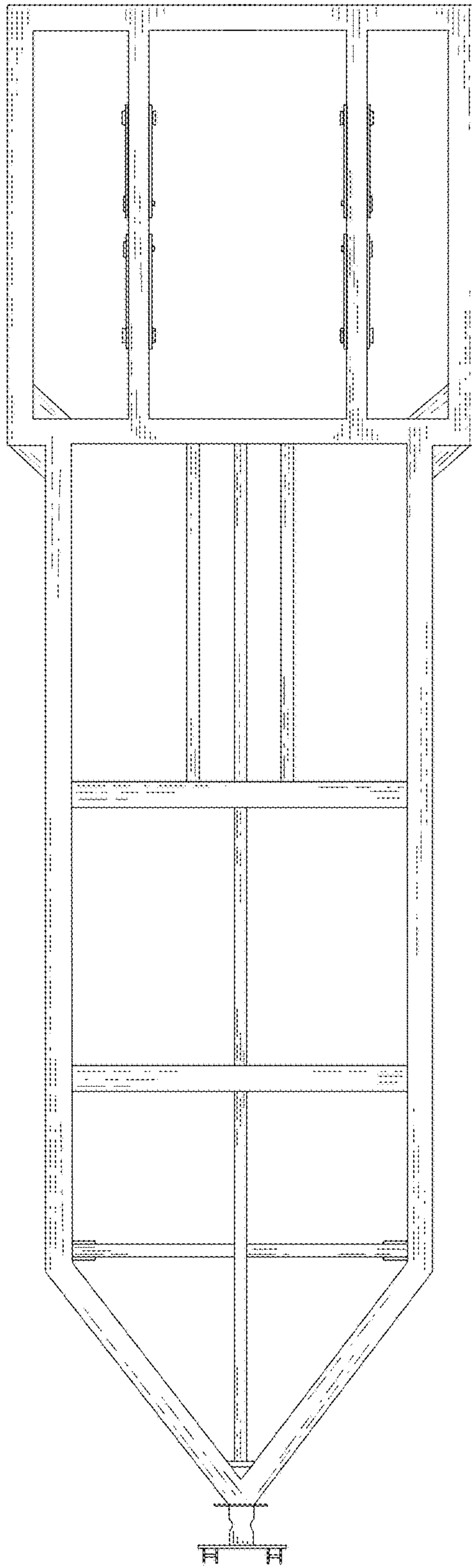


FIG. 8

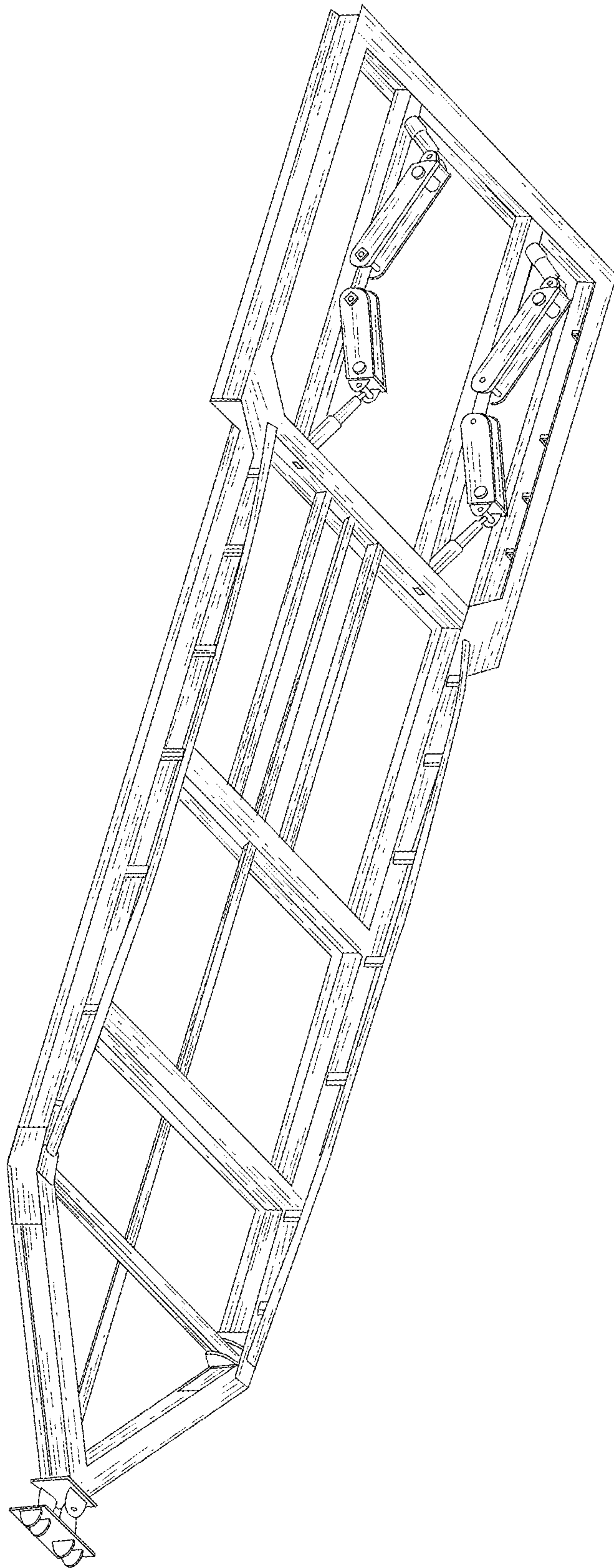


FIG. 9

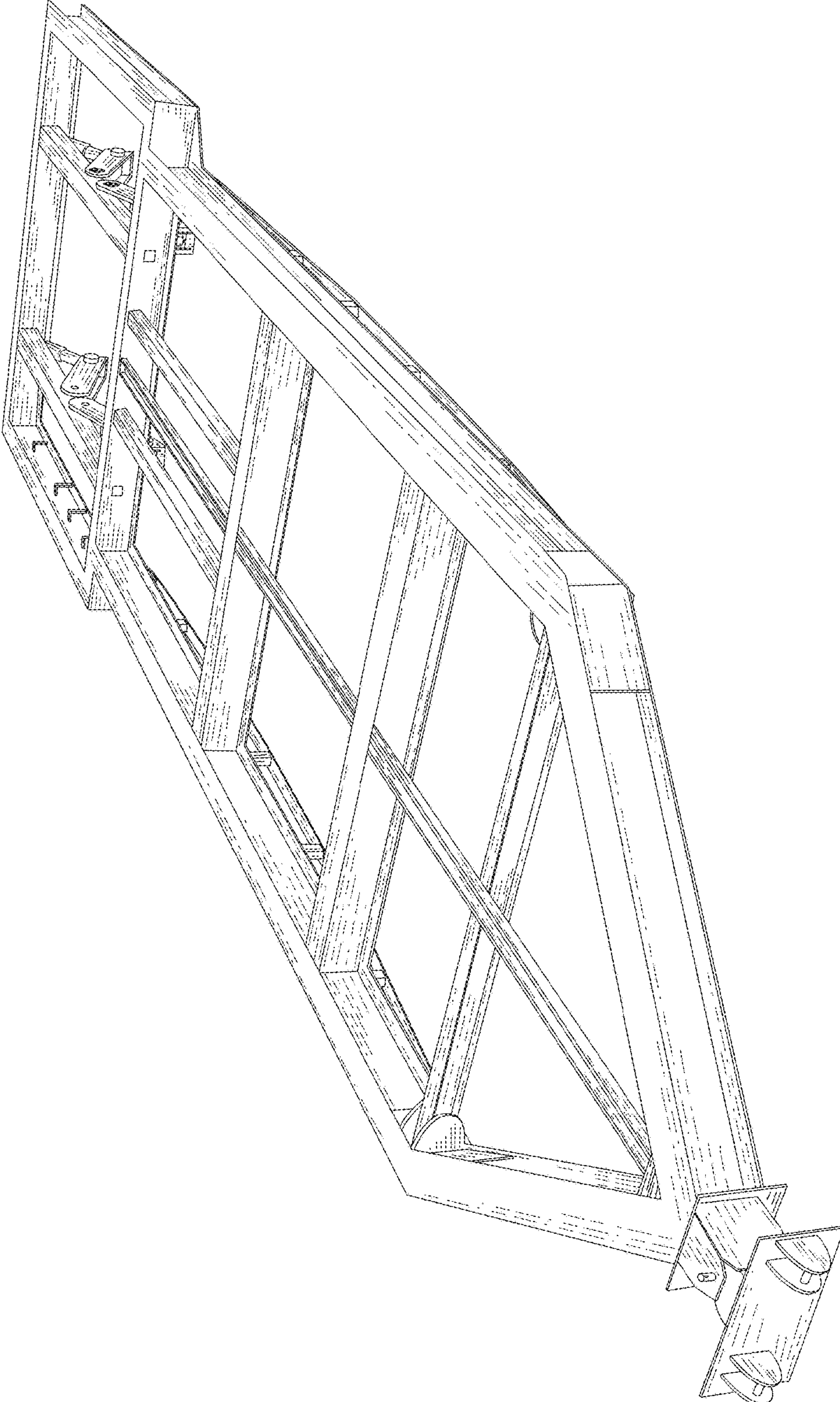


FIG. 10

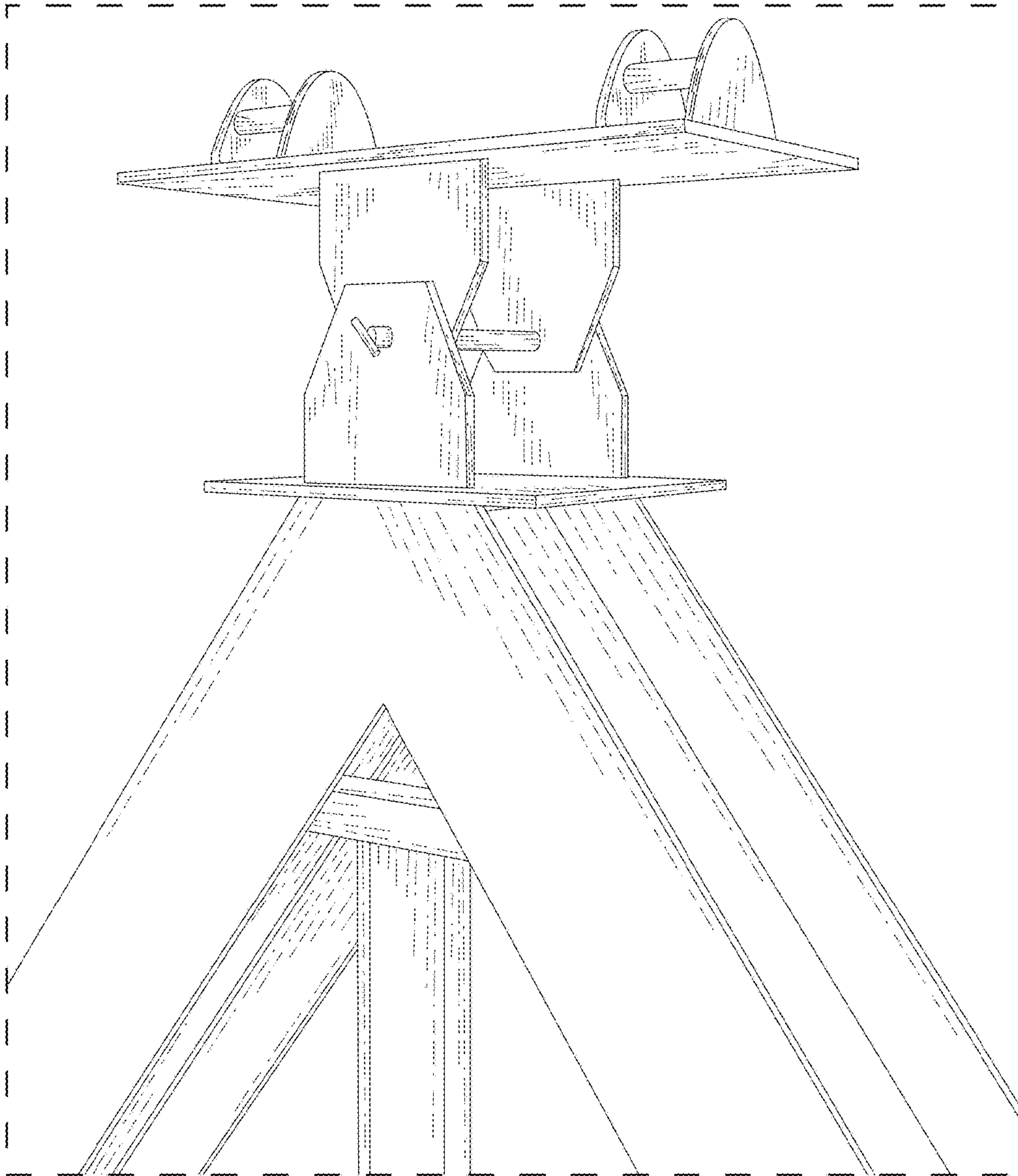


FIG. 11

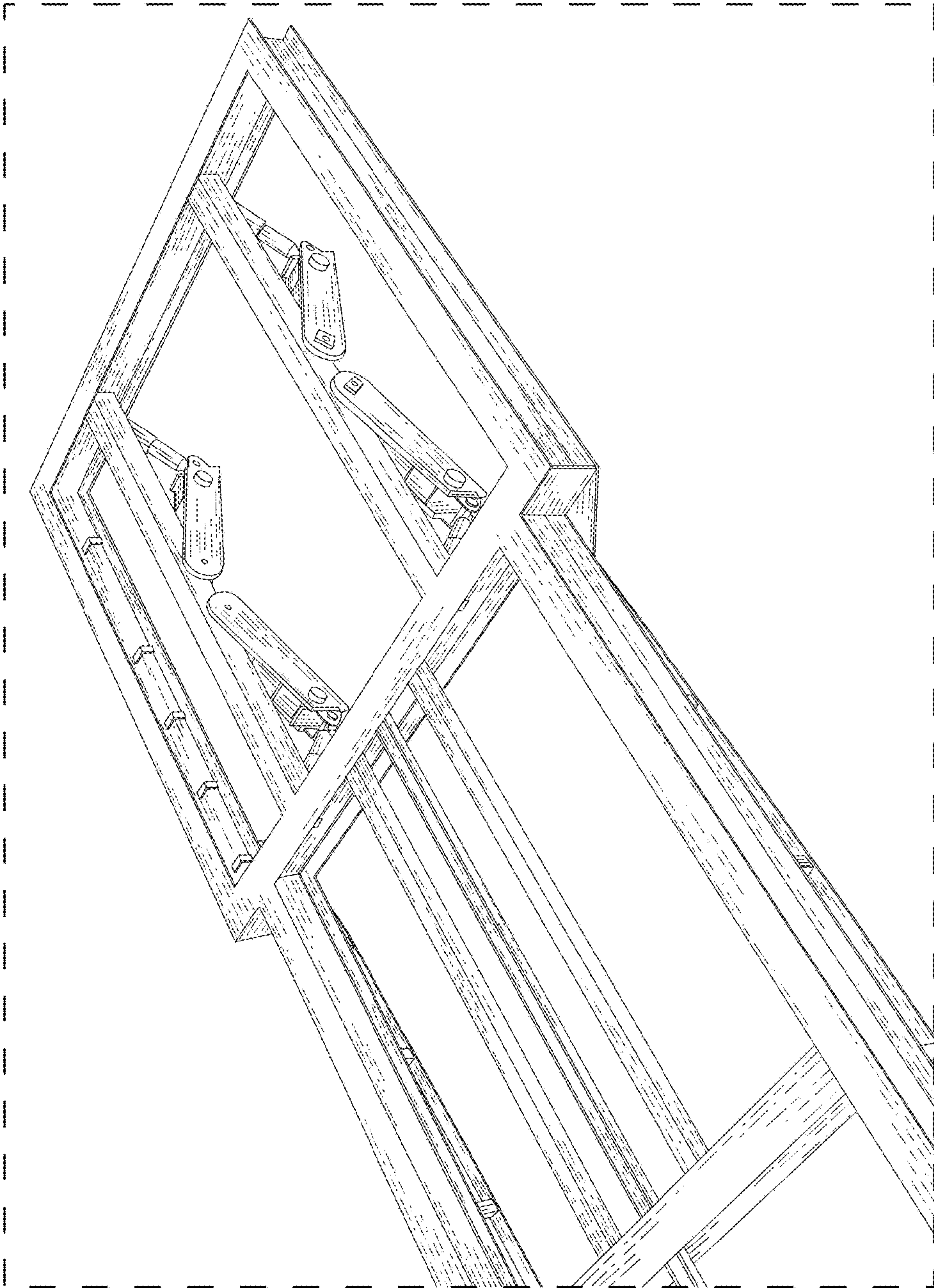


FIG. 12