



US00D826782S

(12) **United States Design Patent** (10) **Patent No.:** **US D826,782 S**  
**Goepfel** (45) **Date of Patent:** **\*\* Aug. 28, 2018**

(54) **VEHICLE, TOY, AND/OR REPLICAS THEREOF**  
(71) Applicant: **Bayerische Motoren Werke Aktiengesellschaft, Munich (DE)**  
(72) Inventor: **Stefan Goepfel, Munich (DE)**  
(73) Assignee: **Bayerische Motoren Werke Aktiengesellschaft, Munich (DE)**

D670,607 S 11/2012 Buckingham  
D680,906 S \* 4/2013 Sugimoto ..... D12/91  
D693,271 S \* 11/2013 Burki ..... D12/90  
D719,486 S \* 12/2014 Murakami ..... D12/91  
D726,591 S \* 4/2015 Jacob ..... D12/91  
D727,795 S \* 4/2015 Wagner ..... D12/91  
D731,361 S \* 6/2015 Burki ..... D12/91  
9,211,836 B2 \* 12/2015 Eckert ..... B60Q 1/0416  
D764,975 S \* 8/2016 Aengenheyster ..... D12/91  
D764,976 S \* 8/2016 Aengenheyster ..... D12/91  
D788,645 S \* 6/2017 Mueller ..... D12/91

(\*\*) Term: **15 Years**  
(21) Appl. No.: **29/579,987**  
(22) Filed: **Oct. 5, 2016**

**FOREIGN PATENT DOCUMENTS**

DE M9802376-0001 11/1998  
EM 001867177-0001 7/2011  
EM 001894163-0001 7/2012

\* cited by examiner

(30) **Foreign Application Priority Data**  
Apr. 8, 2016 (DE) ..... 40 2016 100 457  
(51) **LOC (11) Cl.** ..... **12-08**  
(52) **U.S. Cl.**  
USPC ..... **D12/91**  
(58) **Field of Classification Search**  
USPC ..... D12/90-92, 164, 169, 196;  
296/181.1-181.5; D21/548, 560  
CPC ..... B60Y 2306/01; B60K 11/085  
See application file for complete search history.

*Primary Examiner* — Garth Rademaker  
*Assistant Examiner* — Melvin L Davis  
(74) *Attorney, Agent, or Firm* — Crowell & Moring LLP

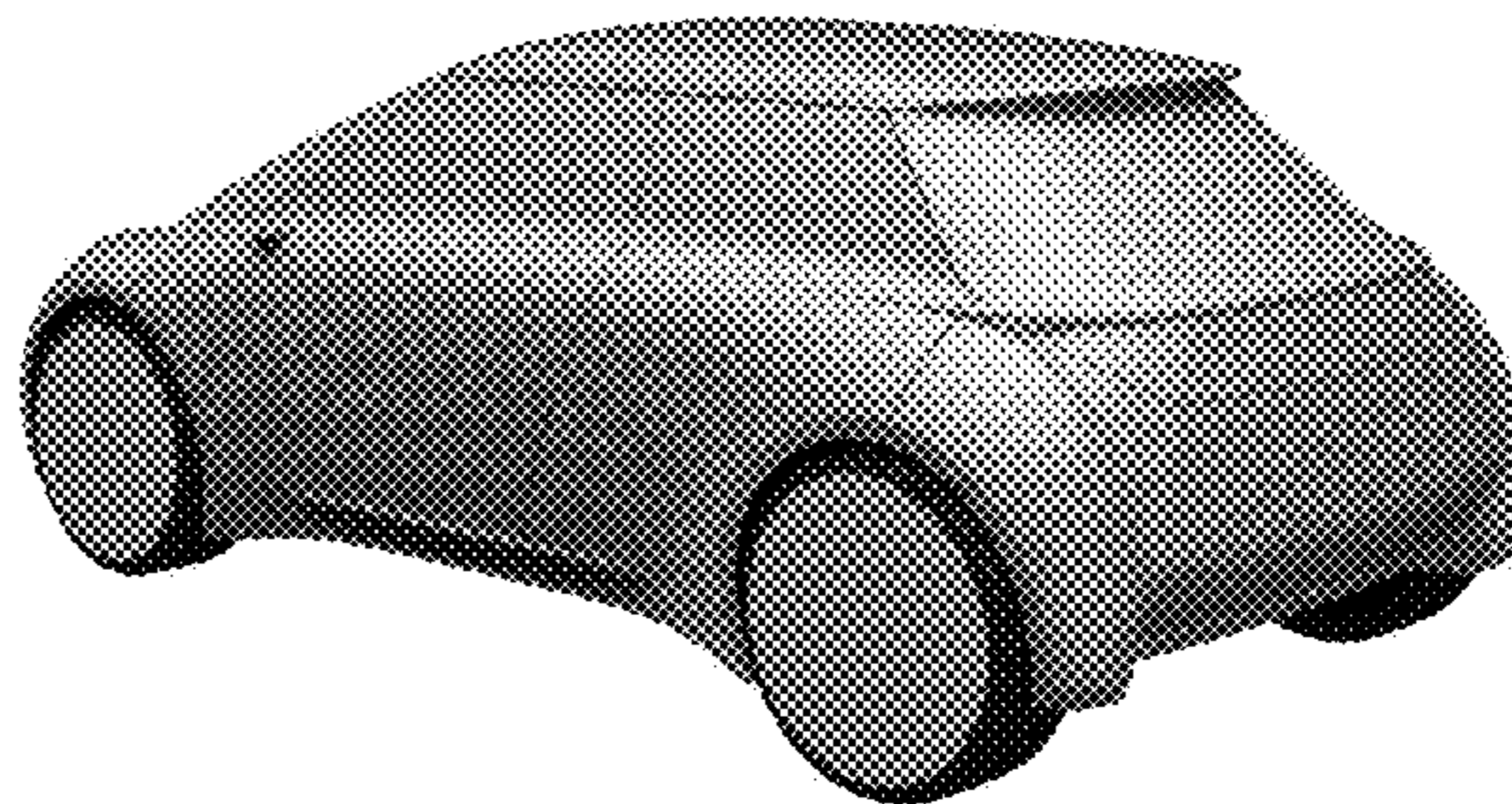
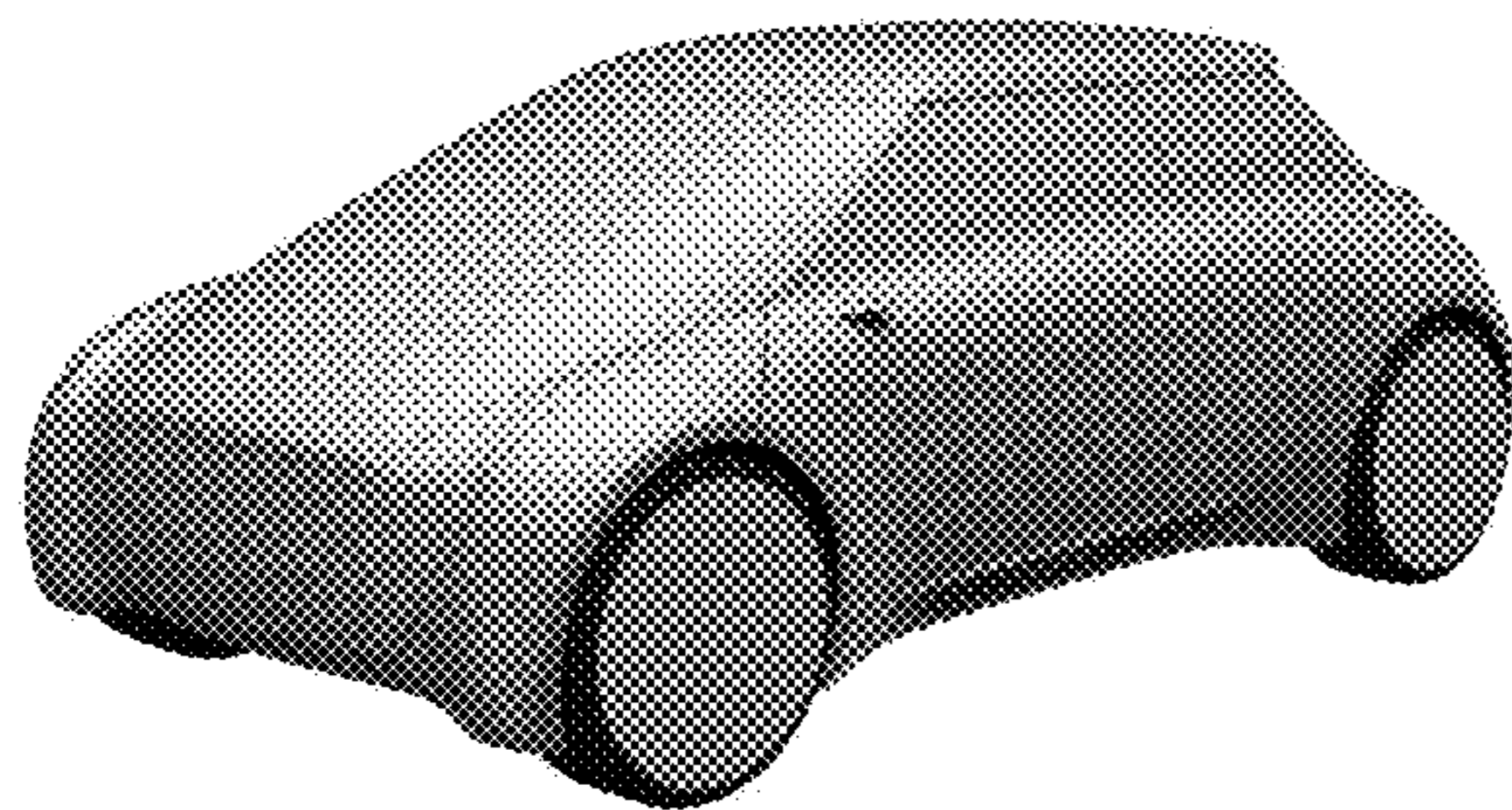
(57) **CLAIM**  
The ornamental design for a vehicle, toy, and/or replicas thereof, as shown and described.

**DESCRIPTION**

FIG. 1 is a left, front perspective view of a vehicle, toy, and/or replicas thereof according to the design;  
FIG. 2 is a left side view thereof;  
FIG. 3 is a right side view thereof;  
FIG. 4 is a left, rear perspective view thereof;  
FIG. 5 is a front view thereof;  
FIG. 6 is a rear view thereof; and,  
FIG. 7 is a top view thereof.

(56) **References Cited**  
**U.S. PATENT DOCUMENTS**  
D409,262 S 5/1999 Stephenson  
D538,711 S \* 3/2007 Sawai ..... D12/91  
D655,648 S \* 3/2012 Imaiida ..... D12/91  
D657,715 S \* 4/2012 Hakamata ..... D12/91  
D664,896 S 8/2012 Szews et al.

**1 Claim, 7 Drawing Sheets**



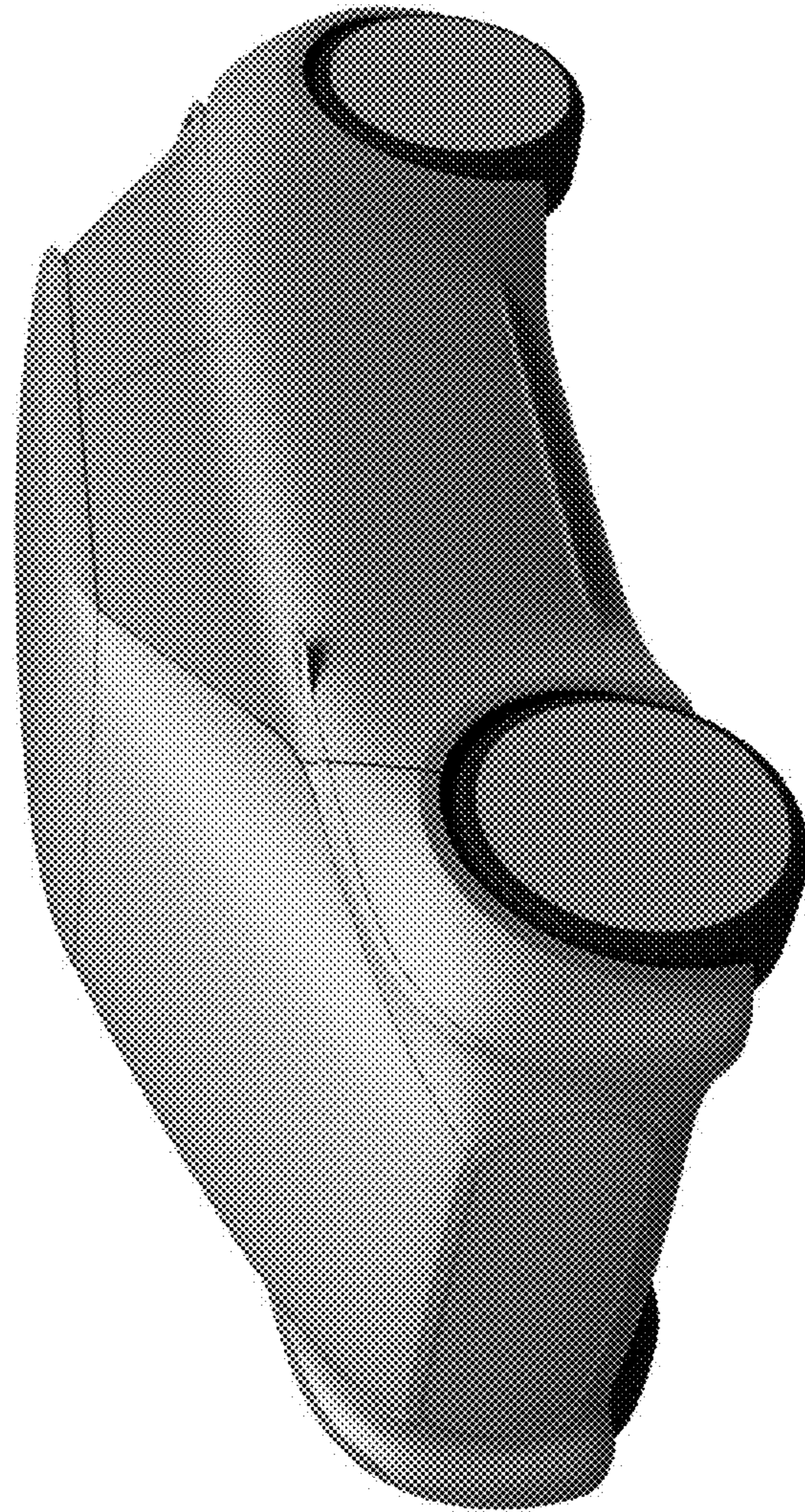


Fig. 1

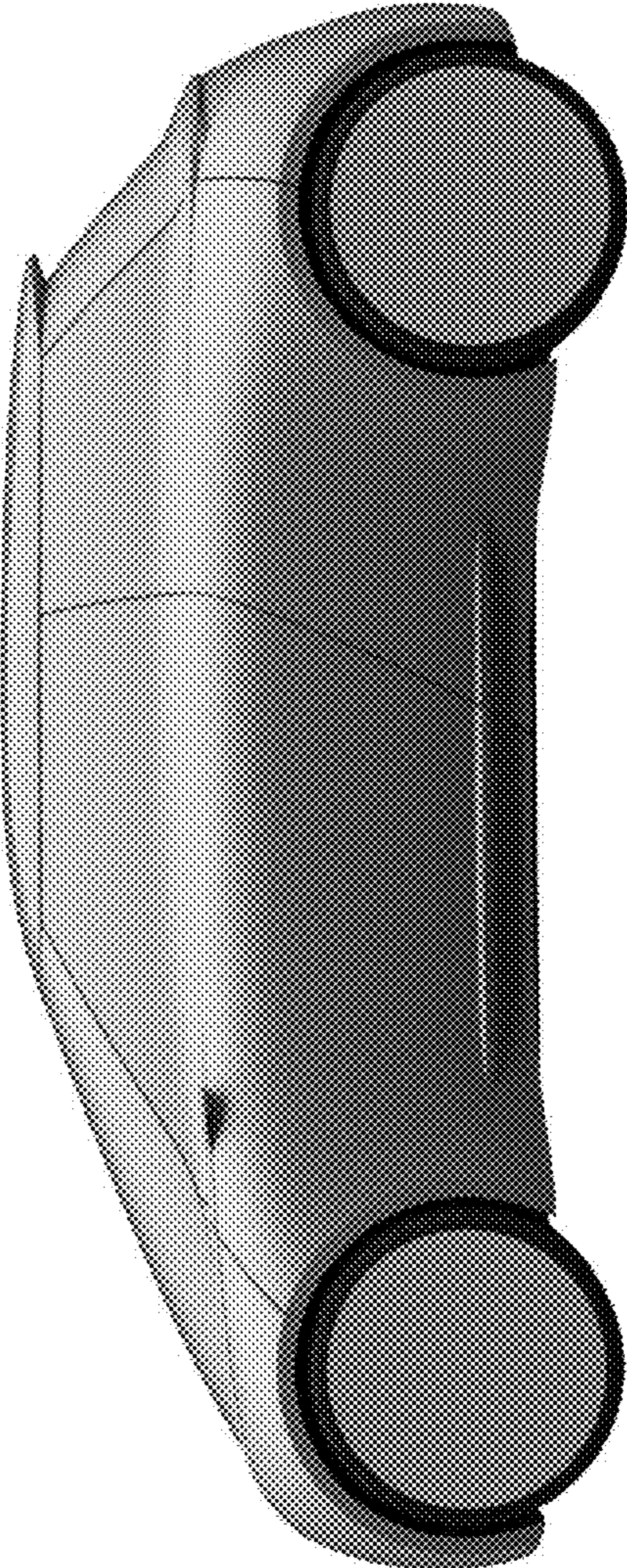


Fig. 2

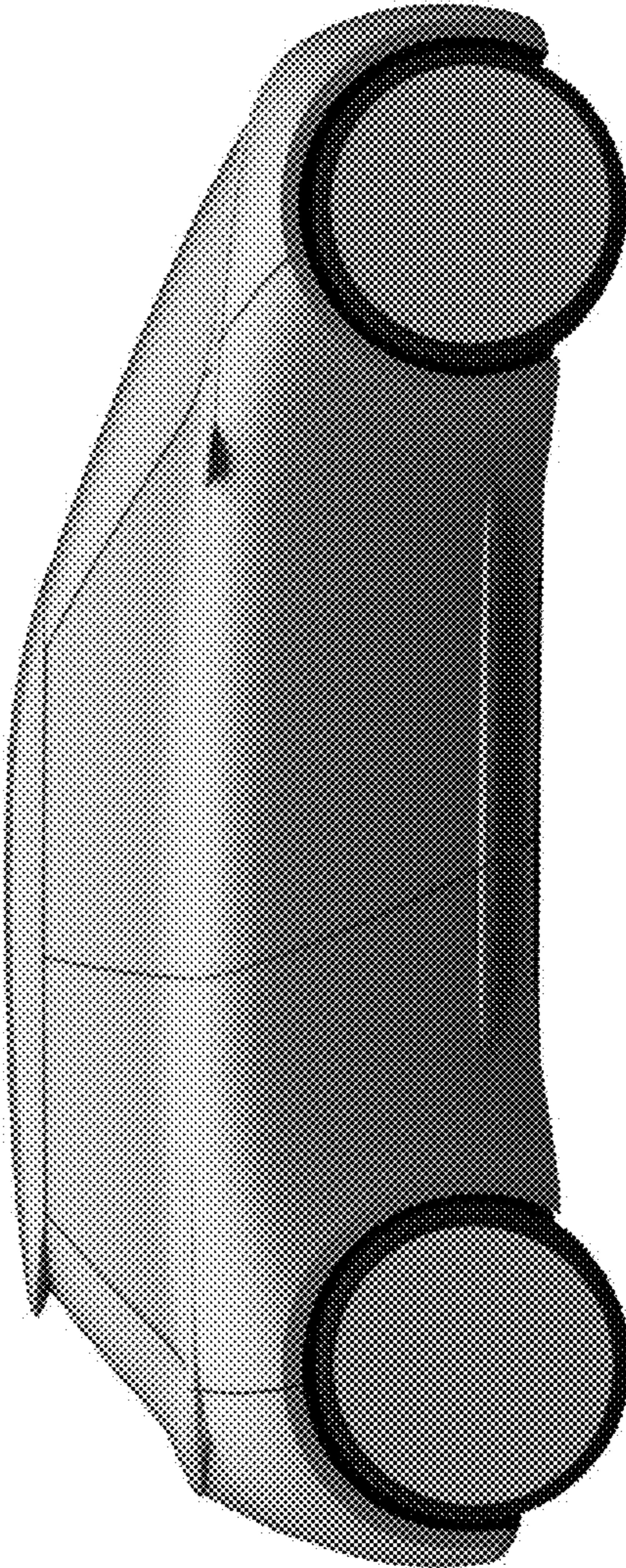


Fig. 3



Fig. 4

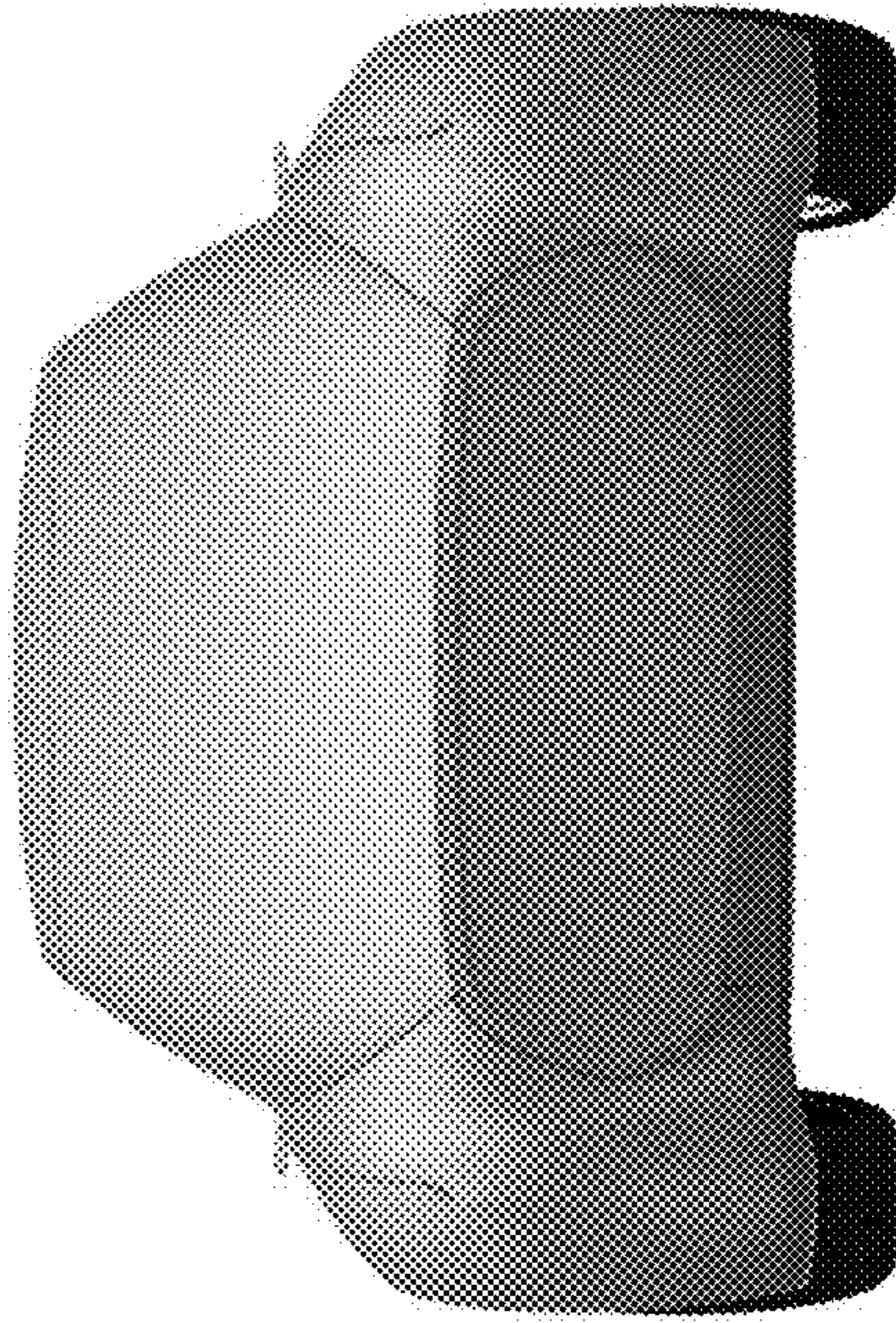


Fig. 5

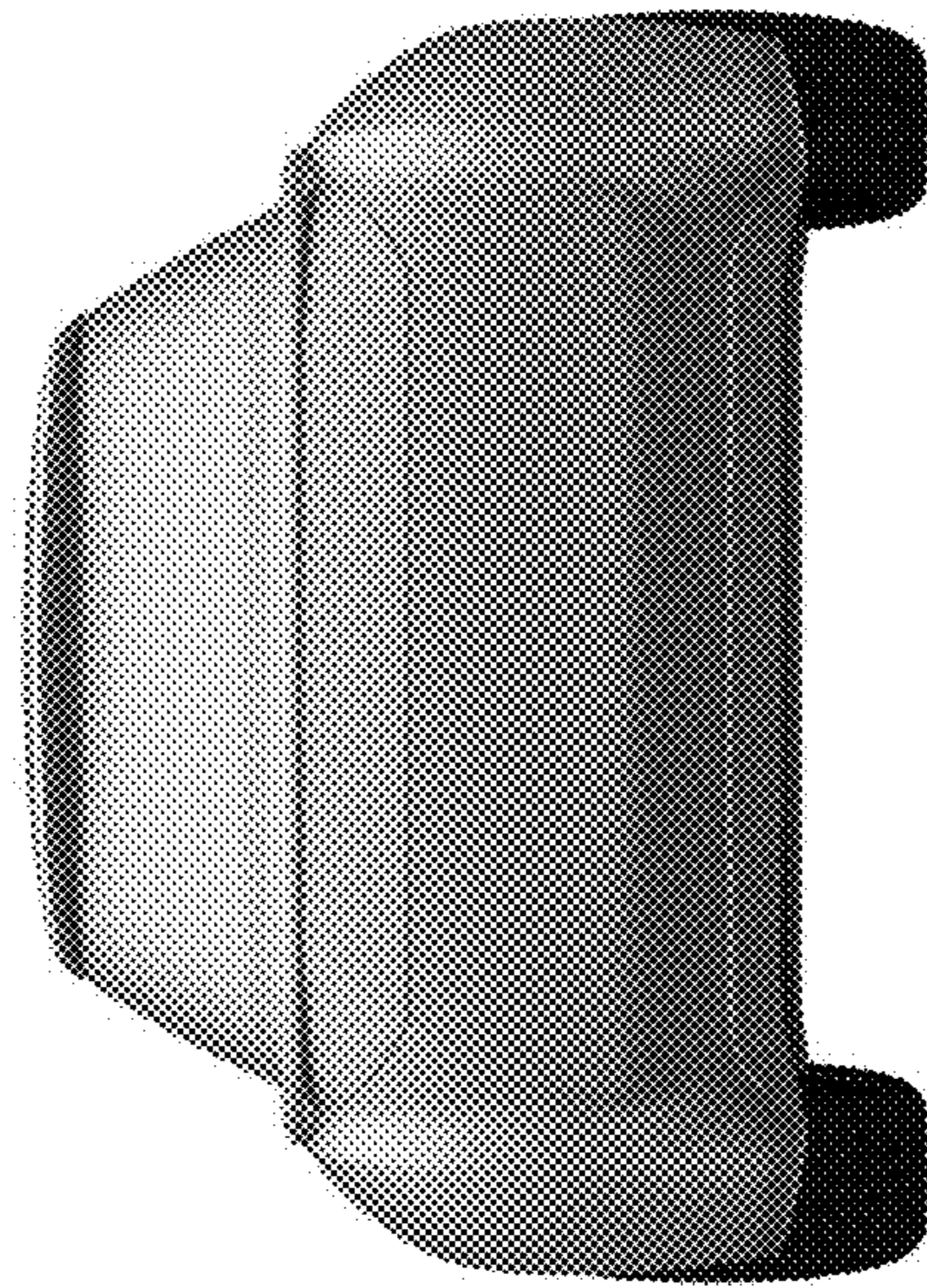


Fig. 6



Fig. 7